

RT400

Product Features

- 6-12" Adjustable centers
- 4.0 GPM @ 20 PSI minimum flow rate
- Brass valve body
- Ceramic Cartridges
- Braided Stainless Steel Connector hoses
- Metal Lever Handle

Standards/Approvals

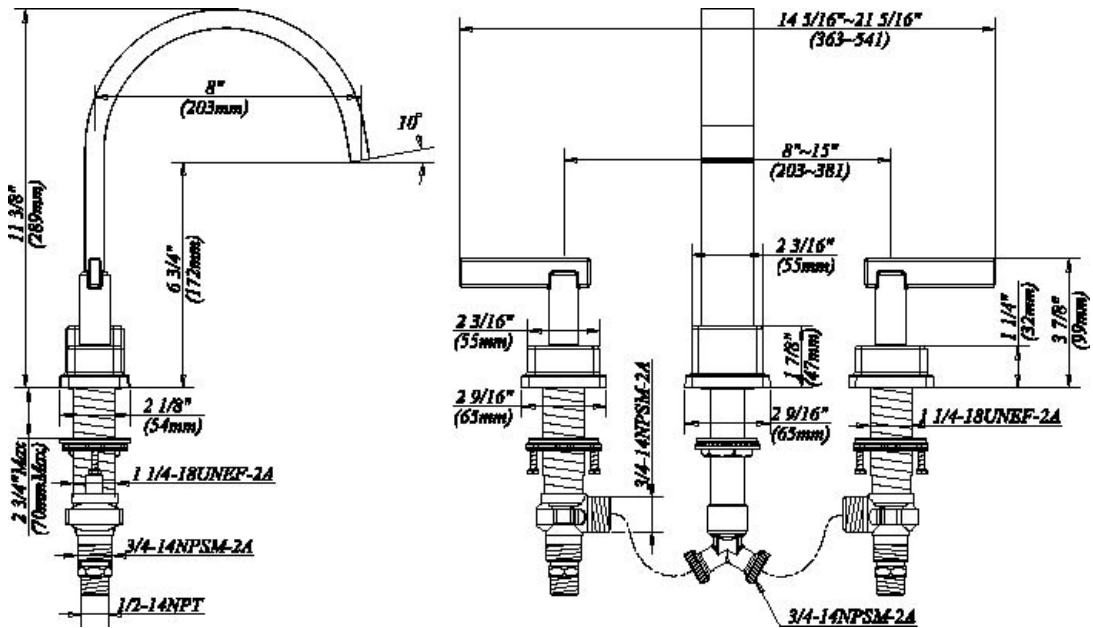
- RT400 meets or exceeds:
 - ANSI/ASME A112.18.1
 - IAPMO/UPC
 - Massachusetts
- RT400 meets ADA requirements



UPC®

PRODUCT SPECIFICATION:

Roman Tub faucet shall have a brass body, ceramic cartridge, 8" spout and metal lever handle. Product shall be able to be installed 8" to 15" centers applications. Product shall be schön brass works model RT400.



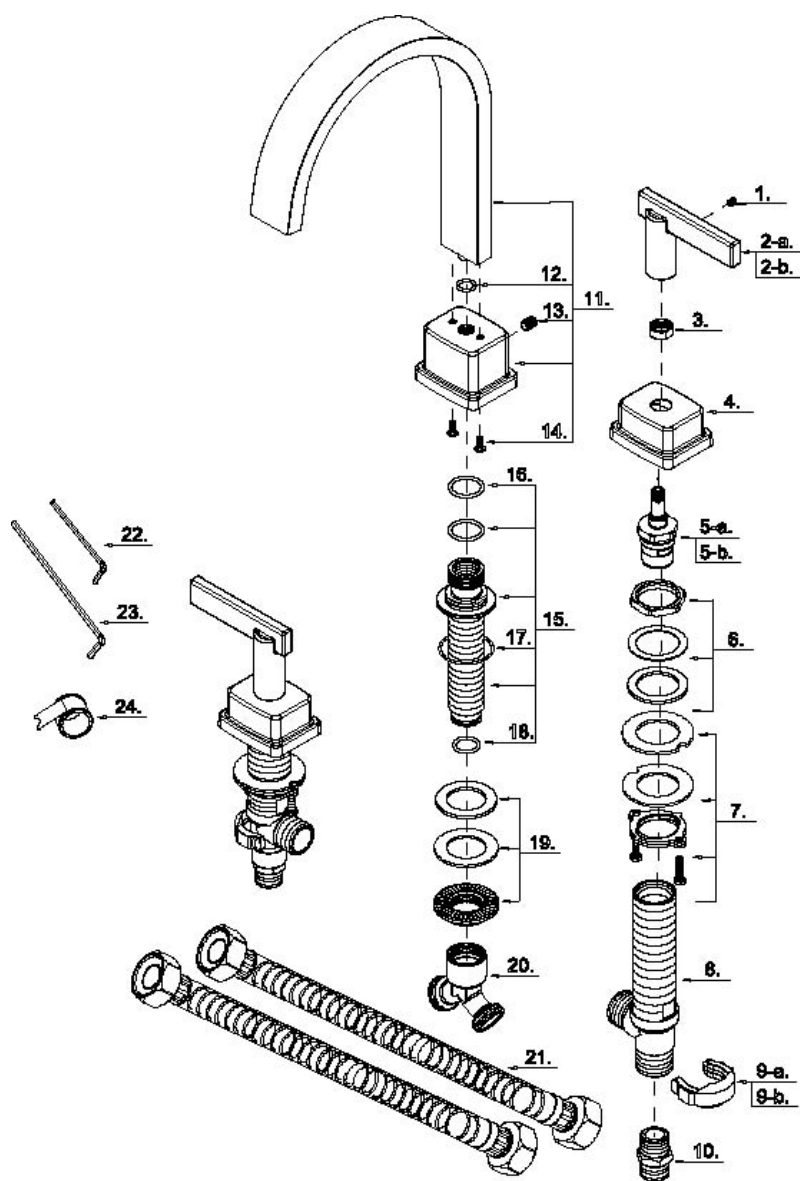
Other Specifications

Faucet Hole diameter	1-1/2"
Max Deck Thickness	2-3/4"
Spout Reach	8"
Aerator Clearance	6-3/4"

Available Finishes

- Chrome
- Satin Nickel
- Oil Rubbed Bronze

PARTS BREAKDOWN



PARTS LISTING

NO	Part Name	Part Number	Q'ty
1	Screw (M5 * 5mm L)	A008003	2
2-a	Metal Handle-Cold	A069733Cxx	1
2-b	Metal Handle-Hot	A069733Hxx	1
3	Nut	A009220xx	2
4	Handle Base	A215369xx	2
5-a	Ceramic Disc Cartridge-Cold	A507174	1
5-b	Ceramic Disc Cartridge-Hot	A507173	1
6	Mounting Hardware	A663678	1
7	Mounting Hardware	A603171	1
8	Handle Valve Body	A550391	2
9-a	Handle Valve Body Indicator Clip-Cold	A012024C	1
9-b	Handle Valve Body Indicator Clip-Hot	A012024H	1
10	Threaded Connector	A035002	2
11	Spout Assembly	A666815xx	1
12	O-Ring (Φ7/16" ID * Φ9/16" OD)	A004050	1
13	Screw (5/16"-18UNC*1/8" L)	A053208	1
14	Screw (3/16" -24 * 3/8" L)	A008612	2
15	Spout Body	A603199	1
16	O-Ring (Φ7/8" ID *Φ1-1/16" OD)	A063031	2
17	O-Ring (Φ1-1/2" ID * Φ1-5/8" OD)	A004057	1
18	O-Ring (Φ5/8" ID * Φ13/16" OD)	A004010	1
19	Mounting Hardware	A663972	1
20	"Y " Adaptor	A015007	1
21	Supply Hose	A105111	2
22	Hex Wrench (H2.5 * 19 mm L * 53 mm L)	A031000	1
23	Hex Wrench (H4 * 20 mm L * 70 mm L)	A031011	1
24	Pipe Tape	A203000	1

xx designates finish matched parts.