

Aqua-Pure®

Spec # _____

Quantity _____

Models:

AP Easy CS-FF /

AP Easy Cyst-FF

Drinking Water Systems

Applications:

- Chlorine Taste & Odor
- Sediment*
- Parasitic Protozoan Cysts (AP Easy Cyst-FF)

At a Glance:

- Easy to select the right product
- Easy to install, no special tools required
- Easy to maintain, filter change is a twist



AP Easy CS-FF

AP Easy Cyst-FF

Product Benefits:

- Designed to hook up to your existing kitchen or bath faucet for full flow filtration, providing a clean look on your counter
- Both systems reduce CTO and Sediment. The AP Easy Cyst-FF removes 99.95% of filterable Parasitic Protozoan Cysts from your cold water supply right at the sink
- Everything included - no additional parts necessary for most installations

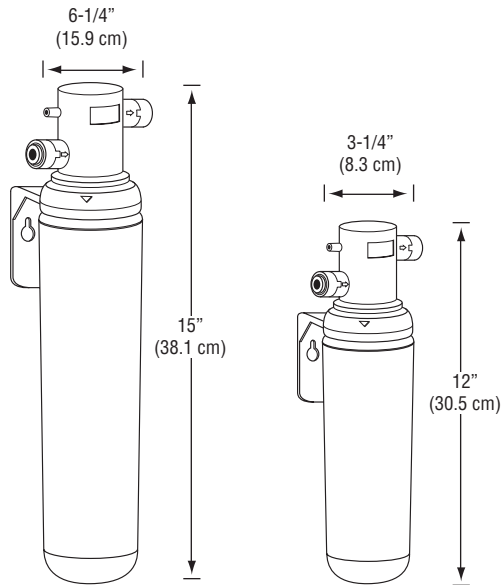
Product Specifications:

Model No. (Part No.)	Inlet/ Outlet Size	Dimensions		Flow Rate	Capacity	Max. Water Temp.	Max. Water Pressure	Std. Replacement Ctg. No.
		Height	Diameter					
AP Easy CS-FF (56092-22)	3/8" Push	12" (30.5 cm)	3-3/16" (8.1 cm)	2.0 gpm (7.8 lpm)	2,000 gallons (7,571 liters)	100°F (37.8°C)	125 psi (862 kPa)	C-CS-FF 56104-27
AP Easy Cyst-FF (56092-23)		15 5/32" (38.5 cm)	3-3/16" (8.1 cm)	1.5 gpm (5.7 lpm)				C-Cyst-FF 56104-28

* Claims not tested or certified by NSF



Aqua-Pure®

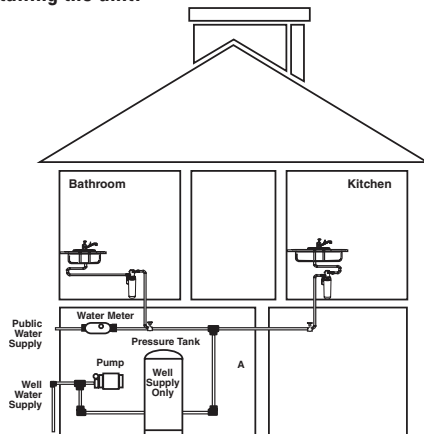


AP Easy Cyst-FF

AP Easy CS-FF

Easy Installation:

CAUTION: Diagram shown is for reference purposes only. Read installation and operation manual prior to installing the unit.



Spec # _____

Quantity _____

Model Number _____

Part Number _____

Physical Specifications:

- 3/8" Push-In fittings
- System is a single vessel design
- System is manufactured from FDA CFR-21 compliant materials
- System has a maximum operating pressure of 125 psi (862 kPa) and operating temperature of 100°F (37.8°C)
- System includes attached mounting bracket
- System to be installed to primary kitchen or bath cold water faucet

WARNING: Do not use with water that is microbiologically unsafe or of unknown quality without adequate disinfection before or after the system. The contaminants or other substances removed or reduced by this water filter are not necessarily in all users water. Systems certified for cyst reduction may be used on disinfected water that may contain filterable cysts.

EPA Establishment Number 070595-CT-001

CUNO Incorporated recommends regularly scheduled maintenance and replacement of the filter cartridge(s) in order for the product to perform as advertised/sold. **Change the filter cartridge at least every 6 months. Improper installation and maintenance may result in property damage due to water leakage.**

Limited Warranty:

CUNO Incorporated warrants that this product is free from defects in materials and workmanship. This limited warranty, together with any and all warranties implied by law, shall be limited to a period of one (1) year from the date of original purchase. This limited warranty does not apply to failures that result from abuse, misuse, alteration or damage not caused by CUNO or failure to properly comply with these installation or cartridge change-out instructions. This limited warranty is subject to exclusions and limitations. Please refer to the Warranty Card provided with the product for details.

Distributed by:

CUNO and Aqua-Pure are trademarks of 3M Company used under license. NSF is a trademark of NSF International. © 2007 3M Company. All rights reserved. LITAP885 0607



Visit www.nsf.org for the claims associated with products that are NSF listed.



CUNO Incorporated
 400 Research Parkway
 Meriden, CT 06450 U.S.A.
 Toll Free: 1.800.222.7880
 Worldwide: 203.237.5541
 Fax: 203.238.8701
www.aquapure.com • www.cuno.com