

Aqua-Pure®

Spec # _____

Quantity _____

Models:

AP817 / AP817-2

Whole House Water Filters

Applications:

- Sediment/Rust*
- Chlorine Taste and Odor*

At a Glance:

- Polyethylene Outer Shell
- PolyKLEAN™ Center Core
- Granular Activated Carbon



AP817-2



AP817

Product Benefits:

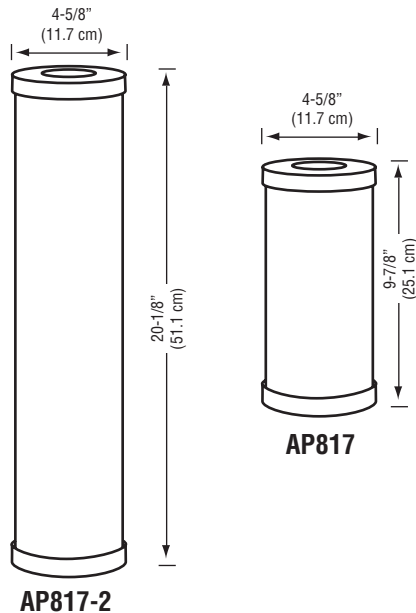
- 25 micron sediment is captured on the rigid polyethylene outer shell
- 40,000 gallon carbon reduction capacity at 10 gpm provides up to 6 months service for all your home's water
- Radial flow design allows for use of finer, more effective activated carbon and yields a very low pressure drop
- Double open ended design fits most large diameter housings. Cartridge will filter water regardless of which way it is installed in housing
- Neoprene gaskets on both top and bottom provide exceptional sealing in any housing, helping to prevent bypass of unfiltered water down-stream

Product Specifications:

Model No. (Part No.)	Dimensions		Flow Rate	Max. Water Temp.	Degree of Filtration
	Height	Diameter			
AP817 (56027-01)	9-7/8" (25.1 cm)	4-5/8" (11.7 cm)	10 gpm (37.9 lpm)	100°F (37.8°C)	25 micron nominal
AP817-2 (56027-07)	20-1/8" (51.1 cm)	4-5/8" (11.7 cm)	20 gpm (75.7 lpm)	100°F (37.8°C)	25 micron nominal

* Claims not tested or certified by NSF

Aqua-Pure®

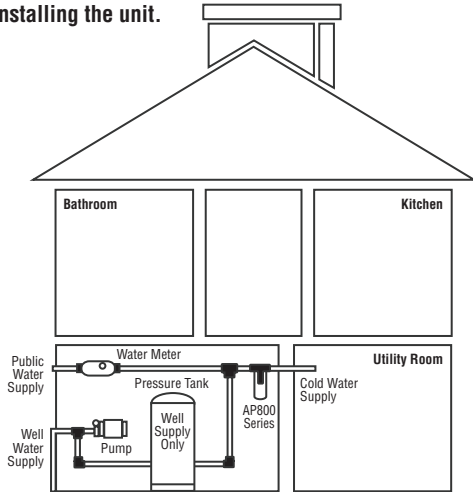


AP817-2

AP817

Easy Installation:

CAUTION: Diagram shown is for reference purposes only. Read installation and operation manual prior to installing the unit.



Spec # _____

Quantity _____

Model Number _____

Part Number _____

Physical Specifications:

- Cartridge is manufactured from FDA CFR-21 compliant materials
- Cartridge has a maximum operating temperature of 100°F (37.8°C)
- Cartridge to be installed at point of entry

Fits all CUNO and most competitive filter housings

AP817	AP817-2
AP801	AP802
AP801-C	AP802-1.5-C
AP801T-C	
AP801-1.5-C	

WARNING: Do not use with water that is microbiologically unsafe or of unknown quality without adequate disinfection before or after the system.

CUNO Incorporated recommends regularly scheduled maintenance and replacement of the filter cartridge(s) in order for the product to perform as advertised/sold. **Change the filter cartridge at least every 6 months. Improper installation and maintenance may result in property damage due to water leakage.**

Limited Warranty:

CUNO Incorporated warrants that this product is free from defects in materials and workmanship. This limited warranty, together with any and all warranties implied by law, shall be limited to a period of one (1) year from the date of original purchase. This limited warranty does not apply to failures that result from abuse, misuse, alteration or damage not caused by CUNO or failure to properly comply with these installation or cartridge change-out instructions. This limited warranty is subject to exclusions and limitations. Please refer to the Warranty Card provided with the product for details.

Distributed by:

CUNO, Aqua-Pure and PolyKLEAN are trademarks of 3M Company used under license. NSF is a trademark of NSF International. © 2007 3M Company. All rights reserved. LITAP932 0707



COMPONENT

Visit www.nsf.org for the claims associated with products that are NSF listed.



CUNO Incorporated
 400 Research Parkway
 Meriden, CT 06450 U.S.A.
 Toll Free: 1.800.222.7880
 Worldwide: 203.237.5541
 Fax: 203.238.8701
www.aquapure.com • www.cuno.com