

# Aqua-Pure®

## Models:

**AP1610SS / AP2610SS**

**Stainless Steel Water Filters**

Spec # \_\_\_\_\_

Quantity \_\_\_\_\_

### Applications:

- Sediment / Rust
- Chlorine Taste & Odor

### At a Glance:

- Premium performance progressive porosity sediment cartridge(s)
- For hot and cold water applications
- 3/4" NPT Connections



AP1610SS

AP2610SS

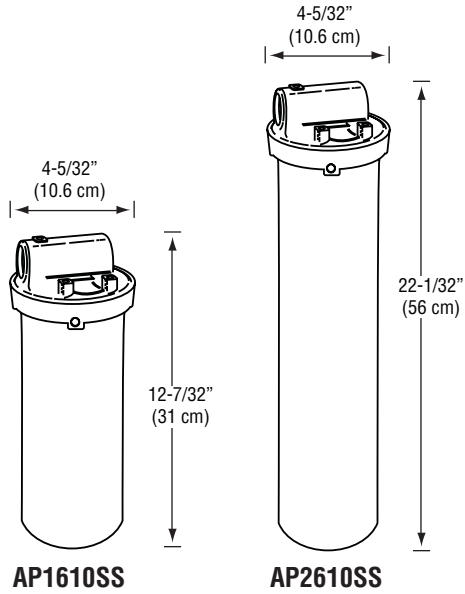
### Product Benefits:

- Heavy-duty 316 stainless steel head and 304 stainless steel housing rated to 300 psi (2,069 kPa) maximum operating pressure for maximum strength and durability
- Premium performance, high efficiency AP110 progressive porosity depth cartridge
- Manufactured from FDA CFR-21 compliant materials
- High Flow, dual cartridge AP2610SS model for high water demand applications and less frequent cartridge changes
- 3/4" unrestricted flow design for high flow rates with minimal pressure drop
- "Sure-Seal" ring nut connector with tightening tool allowing for positive cartridge sealing
- Complete installation manual is enclosed for easy reference and simple installation

\*Dependent upon cartridge used

### Product Specifications:

Model No. (Part No.)	Inlet/ Outlet Size	Dimensions		Flow Rate	Clean Pressure Drop	Max. Water Temp.	Max. Water Pressure	Degree of Filtration	Std. Replacement Ctg. No.
		Height	Diameter						
AP1610SS (5592002)	3/4" NPT	12-7/32" (31 cm)	4-5/32" (10.6 cm)	8 gpm (30.3 lpm)	2 psi @ 8 gpm (13.8 kPa @ 30 lpm)	170°F (76.7°C)	300 psi (2,070 kPa)	5 Micron Nominal	AP110
AP2610SS (5592003)		22-1/32" (56 cm)	4-5/32" (10.6 cm)	16 gpm (60.6 lpm)	4 psi @ 16 gpm (27.6 kPa @ 61 lpm)				AP110 (Qty. 2)



Spec # \_\_\_\_\_

Quantity \_\_\_\_\_

Model Number \_\_\_\_\_

Part Number \_\_\_\_\_

### Physical Specifications:

- 3/4" NPT connections
- System is manufactured from FDA CFR-21 compliant materials
- System has a maximum operating pressure of 300 psi (2,070 kPa) and operating temperature of 170°F (76.7°C)

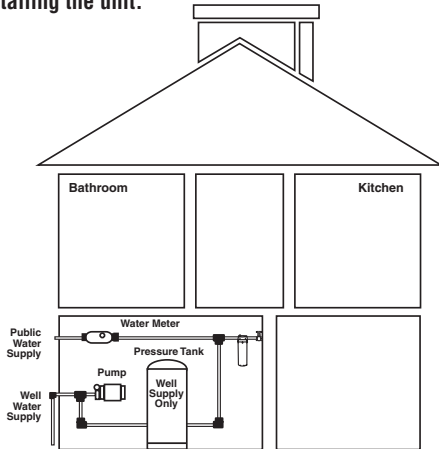
#### Replacement Cartridge Options

Sediment Model	Load	Nominal Micron Rating	Application			Flow Rate
			Sediment/Rust	Chlorine Taste & Odor	Scale	
AP1001	Extra Fine	1	•			8 gpm (30.3 lpm)
AP1003	Fine	3	•			8 gpm (30.3 lpm)
AP110	Normal	5	•			8 gpm (30.3 lpm)
AP124	Heavy	50	•			8 gpm (30.3 lpm)
AP117*	Normal	5	•	•		3 gpm (11.4 lpm)
APS117*	Normal	5	•	•	•	3 gpm (11.4 lpm)
AP420*	Normal	5	•		•	10 gpm (37.9 lpm)

\* For cold water use only

### Easy Installation:

**CAUTION:** Diagram shown is for reference purposes only. Read installation and operation manual prior to installing the unit.



**WARNING: Do not use with water that is microbiologically unsafe or of unknown quality without adequate disinfection before or after the system.** The contaminants or other substances removed or reduced by this water filter are not necessarily in all users water.

CUNO Incorporated recommends regularly scheduled maintenance and replacement of the filter cartridge(s) in order for the product to perform as advertised/sold. **Change the filter cartridge at least every 6 months. Improper installation and maintenance may result in property damage due to water leakage.**

### Limited Warranty:

CUNO Incorporated warrants this Product to be free from defects in material and workmanship for ten (10) years from the date of purchase. This warranty does not cover failures resulting from abuse, misuse, alteration or damage not caused by CUNO or failure to follow installation and use instructions. If the Product is defective CUNO will replace the Product or refund your Product purchase price. CUNO will not be liable for any indirect, special, incidental, or consequential damages arising from the use of this Product. Some states do not allow the exclusion or limitation of incidental or consequential damages, so the above limitation may not apply to you. To obtain warranty service, mail your request to Warranty Claims, CUNO Incorporated, 400 Research Parkway, Meriden, CT 06450. Proof of purchase (original sales receipt) must accompany the warranty claim, along with a complete description of the Product, model number and alleged defect. This warranty gives you specific legal rights and you may have other rights which vary from state to state, or country to country.

Distributed by:



**CUNO Incorporated**  
 400 Research Parkway  
 Meriden, CT 06450 U.S.A.  
 Toll Free: 1.800.222.7880  
 Worldwide: 203.237.5541  
 Fax: 203.238.8701