

### ALLBROOK® 1.0 GPF URINAL SYSTEM

- 6541.511** 1.0 gpf Exposed Top Spud Urinal & Manual Piston-Type Urinal Flush Valve

#### URINAL:

- Vitreous china
- Low-consumption (3.8 Lpf/1.0 gpf)
- Flushing rim
- Siphon jet flush action
- 3/4" inlet spud
- Outlet connection threaded 2" inside (NPTF)
- Meets ANSI flush requirements at 0.7 to 1.0 GPF
- Model 6550.001

#### MANUAL FLUSH VALVE:

- Self-cleaning brass piston with integral wiper spring prevents clogging and reduces maintenance
- Piston operation delivers superior flush accuracy and repeatability
- Piston valve remains closed and does not need to be reset after loss of water pressure
- Non-hold open handle
- Positive seal ensures leak-free performance
- No external volume adjustment
- Durable chrome-plated cast brass construction is ideal for commercial applications
- Chloramine-resistant EPDM seals
- Adjustable tailpiece for rough-in flexibility
- Can be installed left or right hand
- Model 6045.101

#### Includes:

- Wall hanger
- 3/4" I.P.S. angle stop with back-flow prevention and vandal-resistant cap
- Sweat solder kit including cover tube and wall flange
- High back pressure vacuum breaker with down tube
- Spud coupling & flange for 3/4" top spud

#### To Be Specified:

- Color:  White



SEE REVERSE FOR ROUGHING-IN DIMENSIONS

#### Operating Pressure:

Overall Range: 20-125 psi\*\*

Recommended: 20 psi (flowing)-80 psi (static)

\*\* Water pressure over 80 psi is not recommended for most plumbing fixtures.

#### Flow Requirement:

10gpm (37.9 L/min.)

#### Nominal Fixture Dimensions:

356 x 363 x 546mm (14" x 14-5/16" x 21-1/2")

#### Fixture Compliance Certifications -

#### Meets or Exceeds the Following Specifications:

- ASME A112.19.2-2008/CSA B45.1-08 for Vitreous China Fixtures

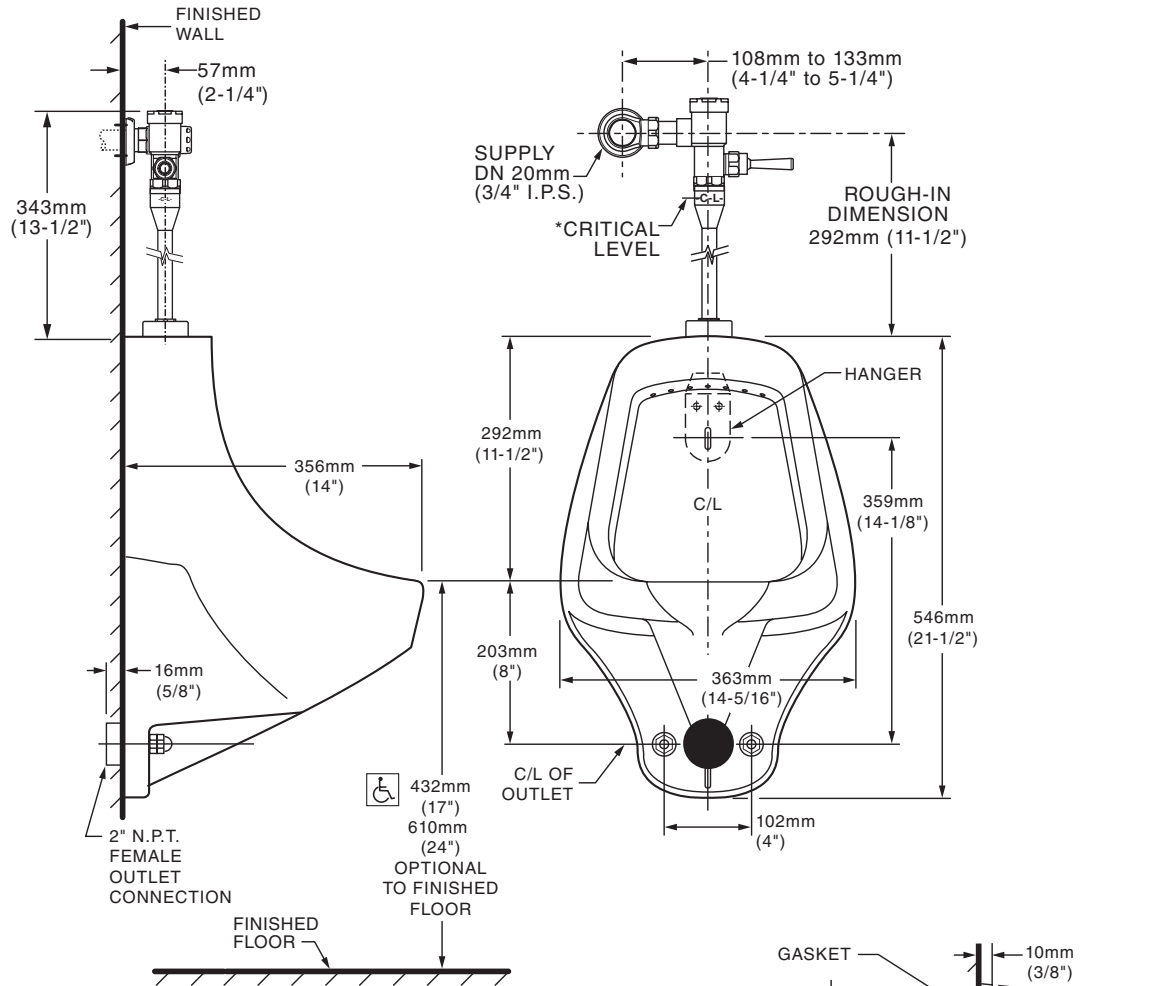
#### Valve Listings:

- ASSE 1037
- ANSI/ASME A112.19.2
- ADA Compliant

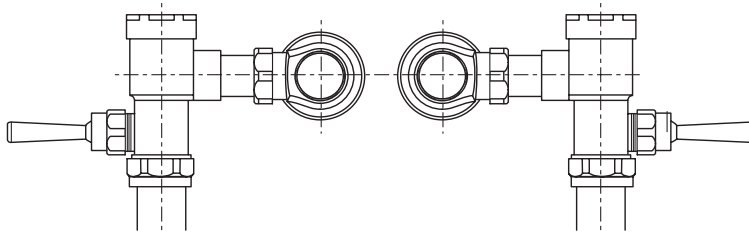


MEETS THE AMERICANS WITH DISABILITIES ACT GUIDELINES AND ANSI A117.1 ACCESSIBLE AND USEABLE BUILDINGS AND FACILITIES - CHECK LOCAL CODES.

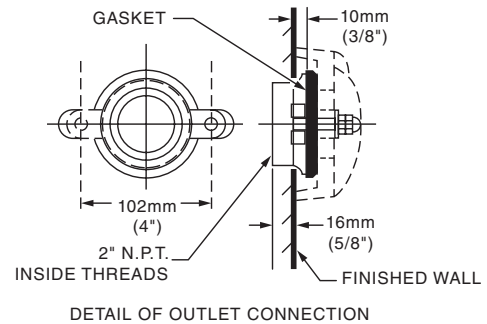
- When installed so top of rim is 432mm (17") from finished floor.



\*Note: The Critical Line (-C-L) on Vacuum Breaker must typically be a minimum of 6" (152mm) above fixture. Consult Codes for details.



VALVE LEFT or RIGHT HAND INSTALLATION



**NOTES:**  
PROVIDE SUITABLE REINFORCEMENT FOR ALL WALL SUPPORTS.

**IMPORTANT:** Dimensions of fixtures are nominal and may vary within the range of tolerances established by ANSI Standard A112.19.2. These measurements are subject to change or cancellation. No responsibility is assumed for use of superseded or voided pages.