

NEW SALEM® RECESS BATH

- 0255.112 Right hand outlet
- 0255.212 Left hand outlet

Product Features:

- Acid resisting, heavy gauge, enameled steel one-piece recess bath
- Integral apron
- End drain outlet
- Slip-resistant surface
- Straight tiling bead
- Fully-bonded support pad



Nominal Dimensions:

1524 x 762 x 362mm
(60" x 30" x 14-1/4")

Bathing Well Depth:

13-1/4" (337mm)

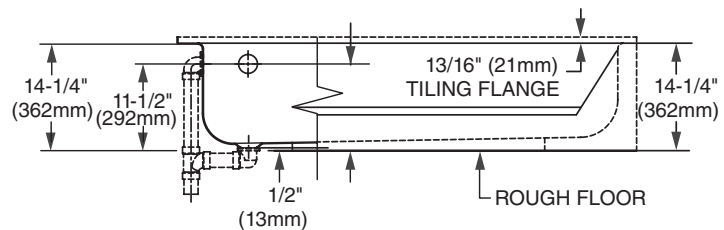
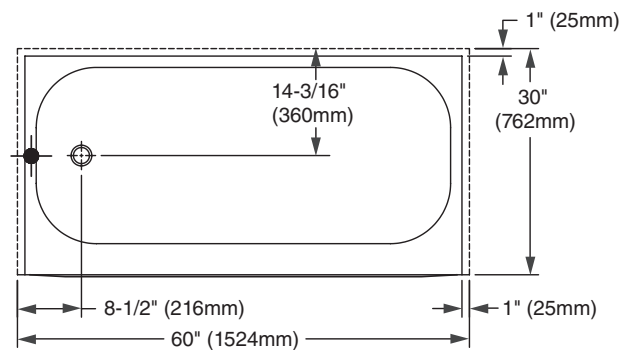
Shipping Weight:

78lbs. (35 kg)

Compliance Certifications -

Meets or Exceeds the Following Specifications:

- ASME A112.19.4 for Enameled Steel Plumbing Fixtures
- ASTM F-462 for Slip-resistant Bathing Facilities



To Be Specified:

- Color:
- Bath Faucet*:
- Faucet Finish:
- Drain:

* See faucet section for additional models available

NOTES:

0255.212 LEFT HAND OUTLET (SHOWN).
0255.112 RIGHT HAND OUTLET (REVERSE DIMENSIONS).
REFER TO INSTALLATION INSTRUCTIONS SUPPLIED WITH BATH FOR ADDITIONAL INFORMATION.
SHOWN WITH POP-UP C.D. & O.
FITTINGS NOT INCLUDED AND MUST BE ORDERED SEPARATELY.
CONCEALED PIPING NOT INCLUDED.

 MEETS THE AMERICANS WITH DISABILITIES ACT GUIDELINES AND ANSI A117.1 REQUIREMENTS FOR ACCESSIBLE AND USEABLE BUILDING FACILITIES-CHECK LOCAL CODES. INSTALL WITH SEAT AT HEAD END.

IMPORTANT: Dimensions of fixtures are nominal and may vary within the range of tolerances established by ANSI Standard A112.19.4. These measurements are subject to change or cancellation. No responsibility is assumed for use of superseded or voided leaflet.