

INSTALLATION INSTRUCTIONS CARE AND MAINTENANCE

American Standard

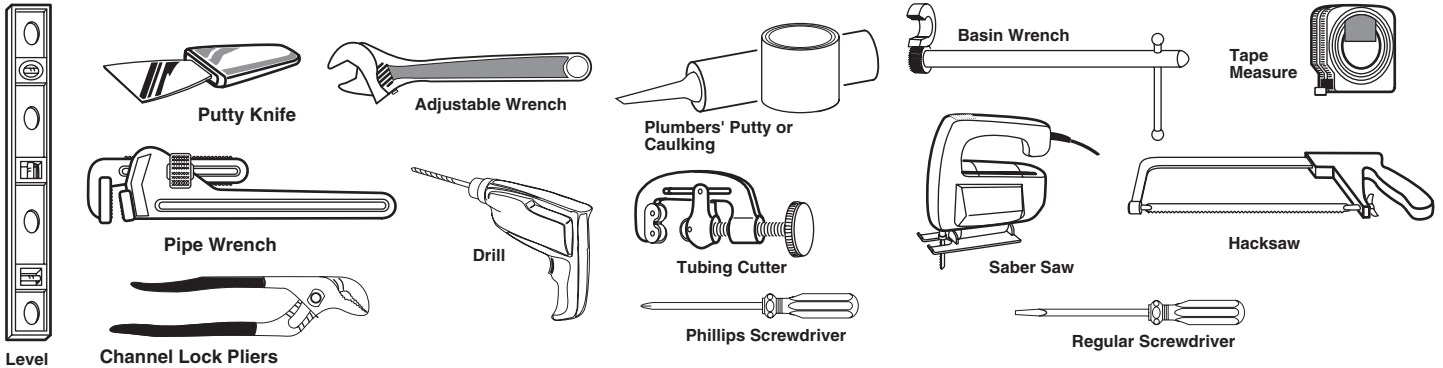
Style That Works Better

0145 LUCIA SINK

Thank you for selecting American Standard - the benchmark of fine quality for over 100 years. To ensure this product is installed properly, please read these instructions carefully before you begin. (Certain installations may require professional help.) Also be sure your installation conforms to local codes.

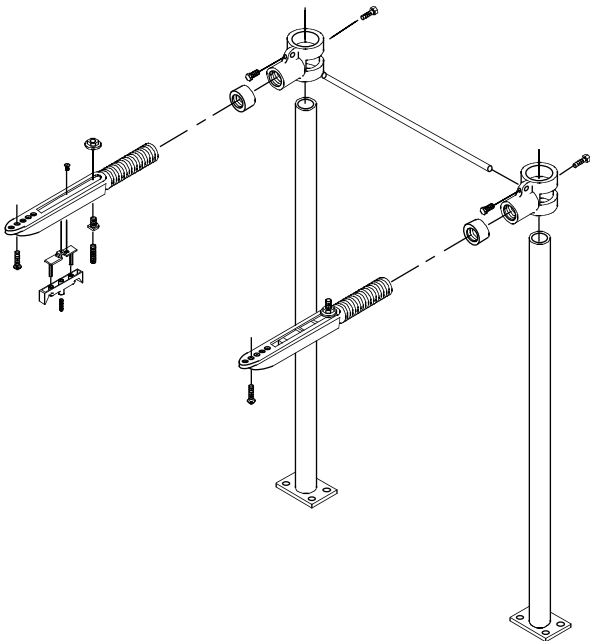
▲ CAUTION: PRODUCT IS FRAGILE. TO AVOID BREAKAGE AND POSSIBLE INJURY HANDLE WITH CARE!
NOTE: Pictures may not exactly define contour of china and components.

Recommended Tools & Materials

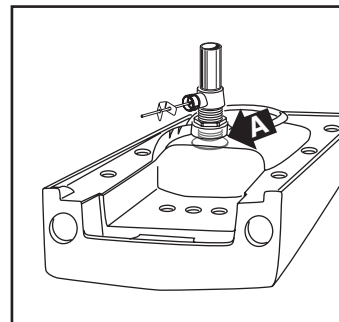


OBSERVE LOCAL PLUMBING AND BUILDING CODES

1 Follow the concealed arms manufacturer's instructions to install concealed arm carrier. (Not included)



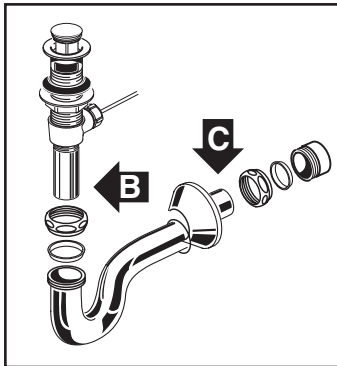
2 Following manufacturer's instructions, install faucet and drain assembly. (Not included). Be certain to apply a bead of sealing putty on the underside of the drain (Part "A") in order to ensure a watertight seal between the lavatory and drain. Remove excess putty after installing drain on lavatory.



Picture for illustration purposes only.

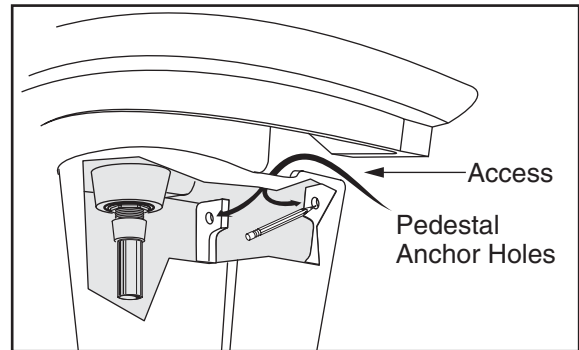
3 Install the sink on the concealed arm by following manufacturer's instructions for the concealed arm.

- 4** Connect trap to drain assembly hand tight to check alignment. It may be necessary to cut off part of the tailpiece (area "B") or part of the horizontal leg of the trap (area "C").

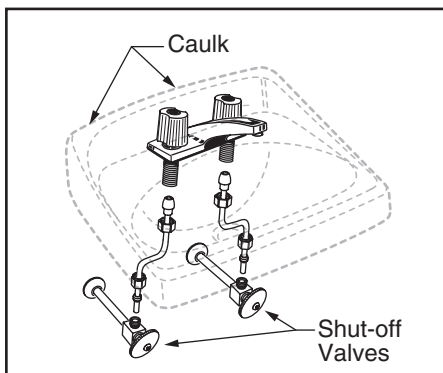


**IF INSTALLING OPTIONAL SEMI-PEDESTAL (0059)
PLEASE CONTINUE AS FOLLOWS:**

- 6** Provide suitable reinforcement behind finished wall for mounting semi-pedestal. Position semi-pedestal under bottom lip of sink. While holding semi-pedestal in position reach through the access area between the lavatory and semi-pedestal and mark the location of anchor holes. Remove semi-pedestal and predrill 3/16" (4-5mm) dia. holes at locations marked. Install 1/4" x 3" lg studs (not included) leaving 1-1/4" exposed.

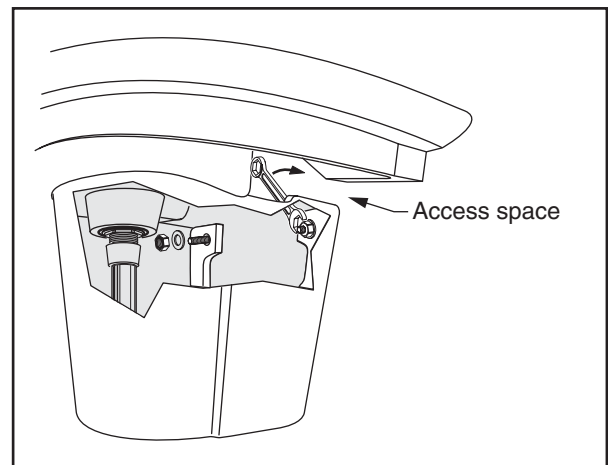


- 5** Connect hot and cold supply lines to the shut-off valves. Tighten trap joints for watertight assembly. Apply a bead of caulk around the edge which contacts the wall as shown.



Picture for illustration purposes only.

- 7** Through the access space between pedestal and lavatory use a wrench to tighten the pedestal to wall.



Picture for illustration purposes only.

In the United States:
 American Standard Brands
 P.O. Box 6820
 Piscataway, New Jersey 08855
 Attention: Director of Consumer Affairs
 For residents of the United States, warranty information may also be obtained by calling the following toll free number: (800) 442-1902
www.americanstandard-us.com

In Canada:
 AS Canada ULC
 5900 Avebury Ave.
 Mississauga, Ontario
 Canada L5R 3M3
 Toll Free: (800) 387-0369
www.americanstandard.ca

In Mexico:
 Customer Service Manager
 AS Maquila, S.A. de C.V.
 Via Morelos #330
 Col. Santa Clara
 Ecatepec 55540 Edo. Mexico
www.americanstandard.com/mx