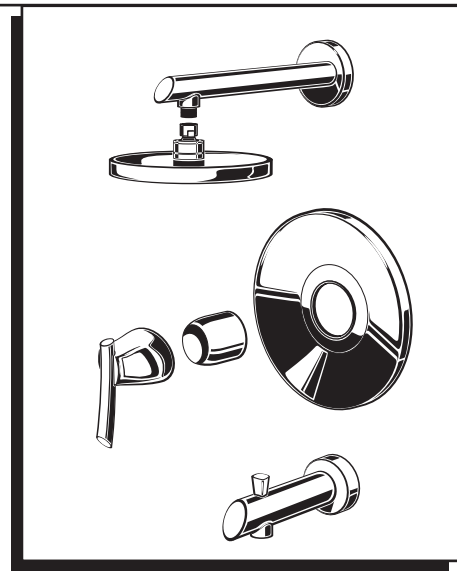


*American Standard*

# Installation Instructions T010.5XX



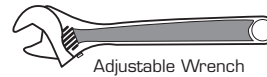
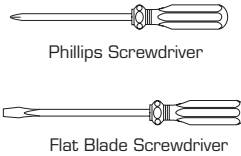
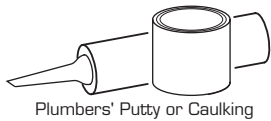
Certified to comply with ANSI A112.18.1  
M968592 Rev.1.2

## GREEN TEA PRESSURE BALANCING BATH AND SHOWER TRIM KIT

*Thank you for selecting American-Standard...the benchmark of fine quality for over 100 years.*

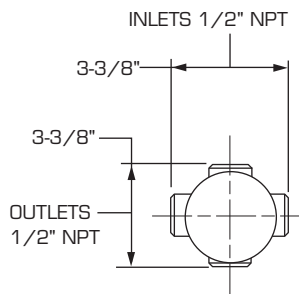
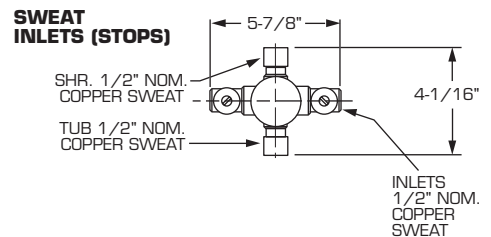
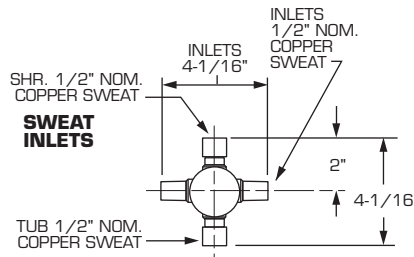
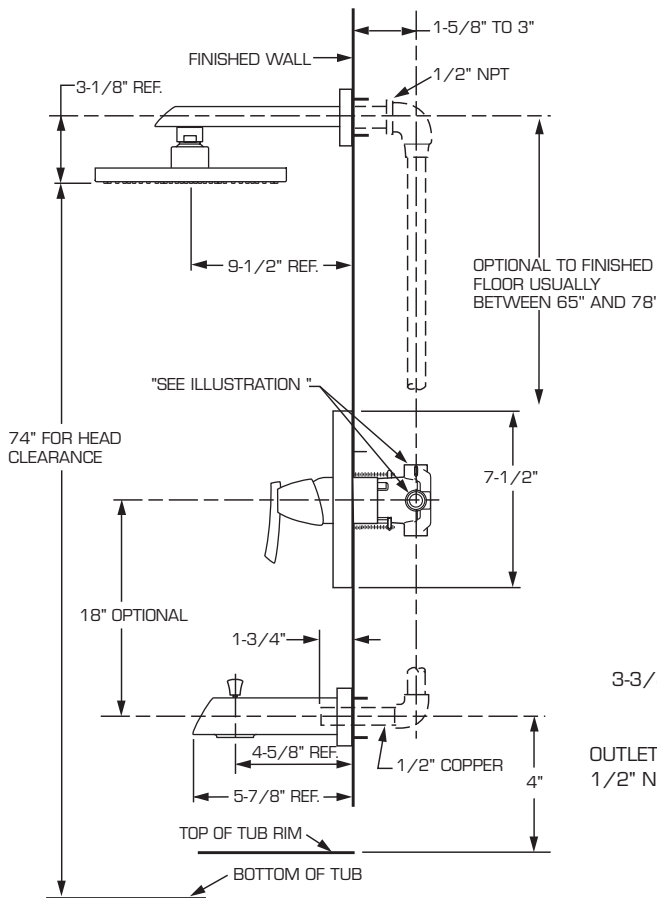
*To ensure that your installation proceeds smoothly—please read these instructions carefully before you begin.*

### Recommended Tools

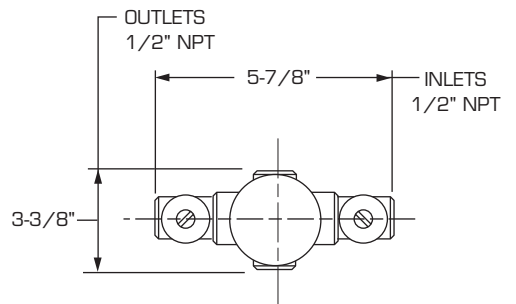


### ROUGHING-IN DIMENSIONS (For reference only)

■ To assure proper positioning in relation to wall, note roughing-in dimensions.



**THREADED INLETS**



**THREADED INLETS (STOPS)**

# 1 INSTALL VALVE TRIM

- **Figure 1.** Remove plaster guard from valve. Push CAP (1) over VALVE CARTRIDGE (2) until seated against stop.
- **Figure 2.** Push ESCUTCHEON HOLDER (3) onto CAP (1) and attach with LONG SCREWS (4). Mount ESCUTCHEON SUPPORT (5) to ESCUTCHEON HOLDER (3) with 4 SHORT SCREWS (6).
- **Figure 3.** Align PINS (7) on back side of ESCUTCHEON (8) with the FOUR HOLES (9) in ESCUTCHEON SUPPORT (5) and press ESCUTCHEON (8) flush against finished wall.

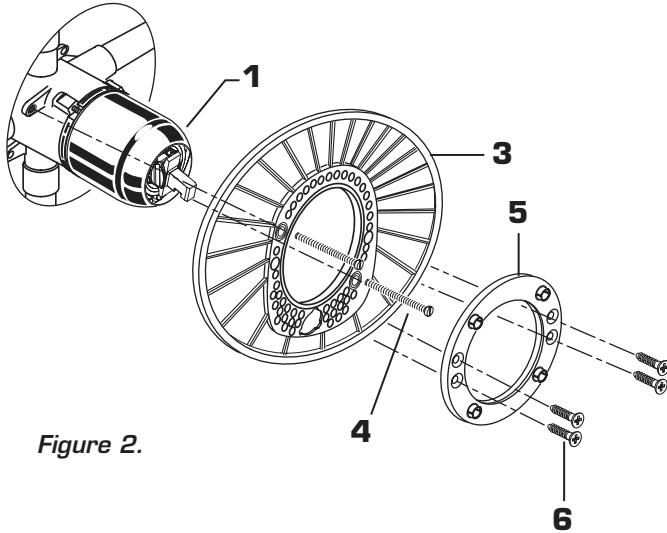


Figure 2.

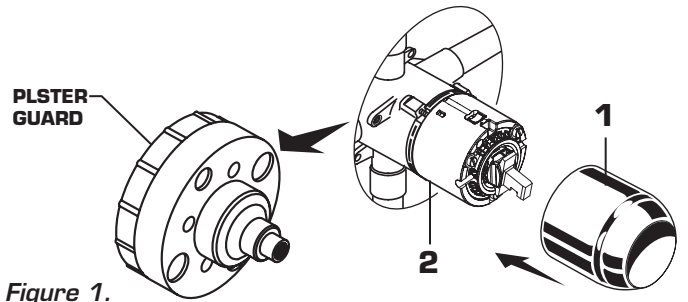


Figure 1.

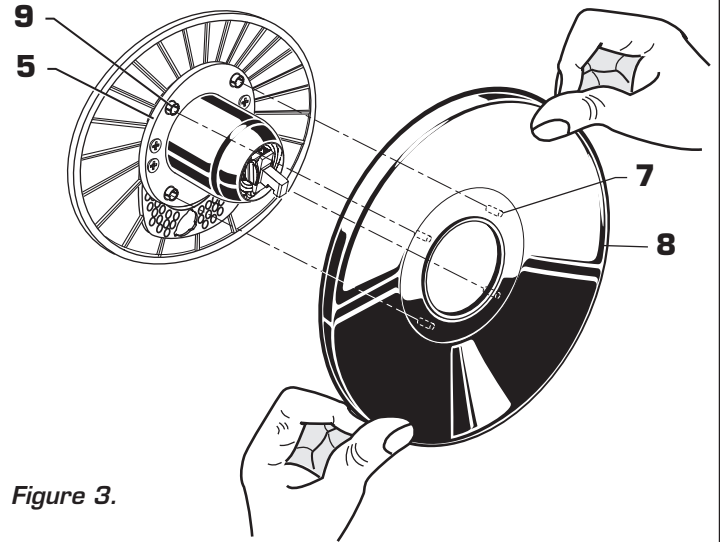


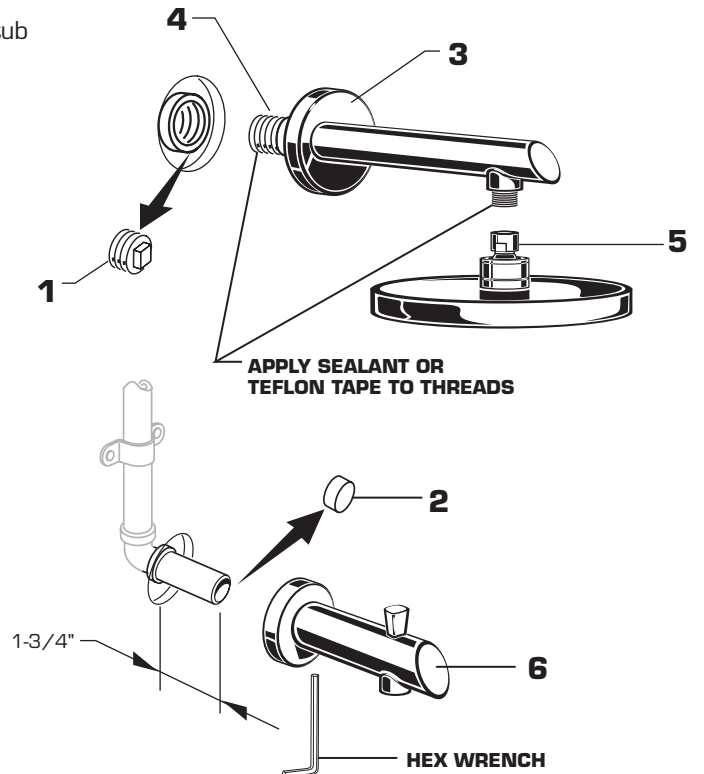
Figure 3.

# 2 INSTALL TRIM

**CAUTION: Protect finish on SHOWER HEAD and TUB SPOUT when installing.**

**Note: Apply sealant or Teflon Tape to shower arm.**

- Remove PIPE PLUG and CAP (1, 2) from shower pipe and tub filler pipe.
- Install SHOWER ESCUTCHEON (3) onto SHOWER ARM (4). Apply sealant or Teflon tape to threads on both ends of SHOWER ARM (4) and thread longer leg of SHOWER ARM (4) into shower elbow. Thread SHOWER HEAD (5) onto SHOWER ARM (4).
- Install TUB SPOUT (6). Tighten with HEX WRENCH supplied.

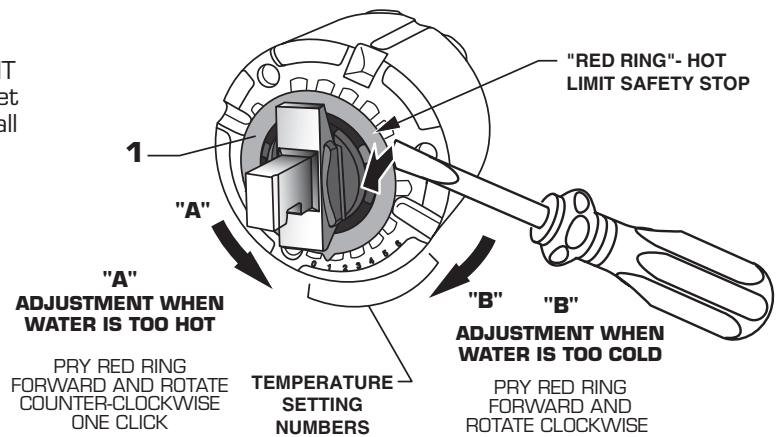


### 3 ADJUST HOT LIMIT STOP

#### HOT LIMIT SAFETY STOP ADJUSTMENT

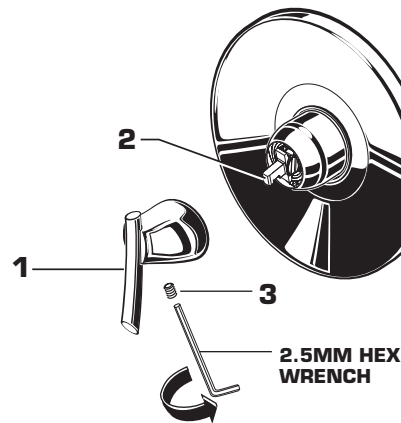
By restricting handle rotation and limiting the amount of hot water allowed to mix with the cold, the HOT LIMIT SAFETY STOP reduces risk of accidental scalding. To set the maximum hot water temperature of your faucets, all you need to do is adjust the setting on the HOT LIMIT SAFETY STOP.

- Use a flat blade screwdriver or your fingers to pull up and rotate red HOT LIMIT SAFETY STOP **(1)**. Follow Step "A" or "B" to adjust min./max. discharge temperature. "0" being the hottest to "7" the coldest temperature setting. Factory set at "0".



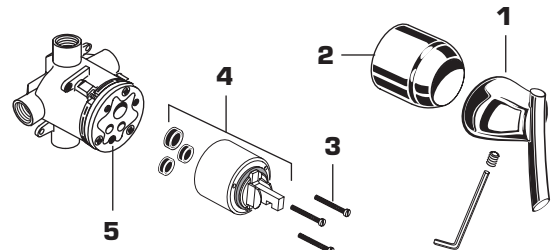
### 4 HANDLE INSTALLATION

- Install HANDLE **(1)** by pushing it onto CARTRIDGE STEM **(2)** and tightening SET SCREW **(3)** from below with 2.5mm Hex Wrench supplied.



### 5 SERVICE

- If faucet drips, operate handle several times from "off" to "on". Do not apply excessive force.
- Clogged CARTRIDGE **(4)** inlets may cause reduced flow in "full on" hot or cold. To clean inlets, first turn off water supply, then:
  - Remove HANDLE **(1)**, CAP **(2)** and CARTRIDGE **(4)**. Clean inlets and MANIFOLD **(5)**.
  - Reassemble CARTRIDGE **(4)**, alternately tightening SCREWS **(3)**.
  - Replace CAP **(2)** and HANDLE **(1)**. Check flow.



### 6 CARE INSTRUCTIONS:

**DO: SIMPLY RINSE THE PRODUCT CLEAN WITH CLEAR WATER. DRY WITH A SOFT COTTON FLANNEL CLOTH.**

**DO NOT: DO NOT CLEAN THE PRODUCT WITH SOAPS, ACID, POLISH, ABRASIVES, HARSH CLEANERS, OR A CLOTH WITH A COARSE SURFACE.**