

American Standard

Installation Instructions

ENFIELD BATH/SHOWER TRIM KITS

with EverClean™ Finish

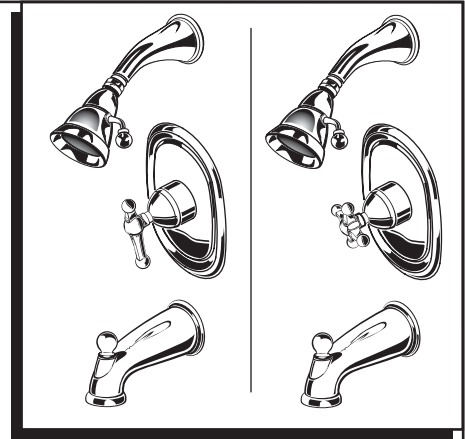
T373.502 T373.522
T373.501 T373.521
T373.500 T373.520

Congratulations on purchasing your American Standard faucet with EverClean finish found only on American Standard faucets.

EverClean Finish

- One wipe effortlessly removes spots
- Eliminates the need for cleaners and scrubbing
- Permanent surface protectant remains beautiful for the life of the faucet
- EverClean™ available on: Polished Chrome, Satin Nickel, Stainless Steel, Polished Brass (or any combination of these finishes)

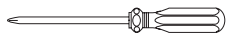
To ensure that your installation proceeds smoothly-please read these instructions carefully before you begin.



Certified to comply with ANSI A112.18.1

M968285 Rev. 1.1

Required Tools



Phillips Screwdriver



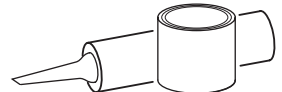
Flat Blade Screwdriver



Adjustable Wrench



Channel Locks

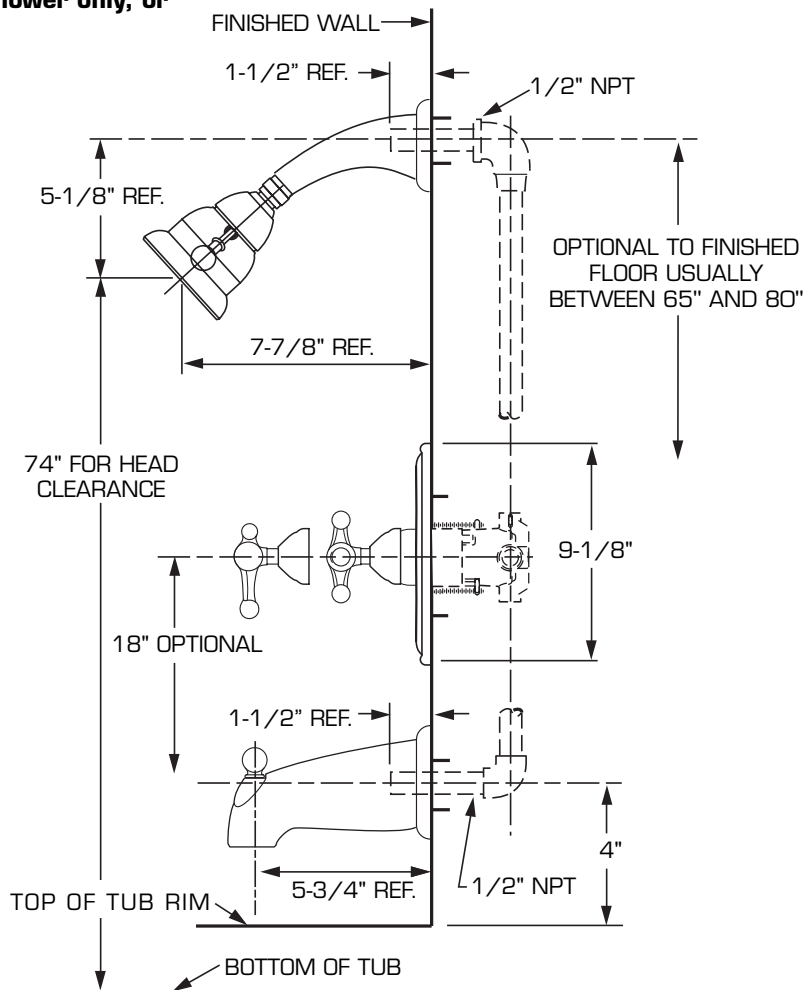


Plumbers' Putty or Caulking

ROUGHING-IN DIMENSIONS

Installation for Bath/Shower, Shower only, or Valve only Trim.

■ Dimensions are for reference.

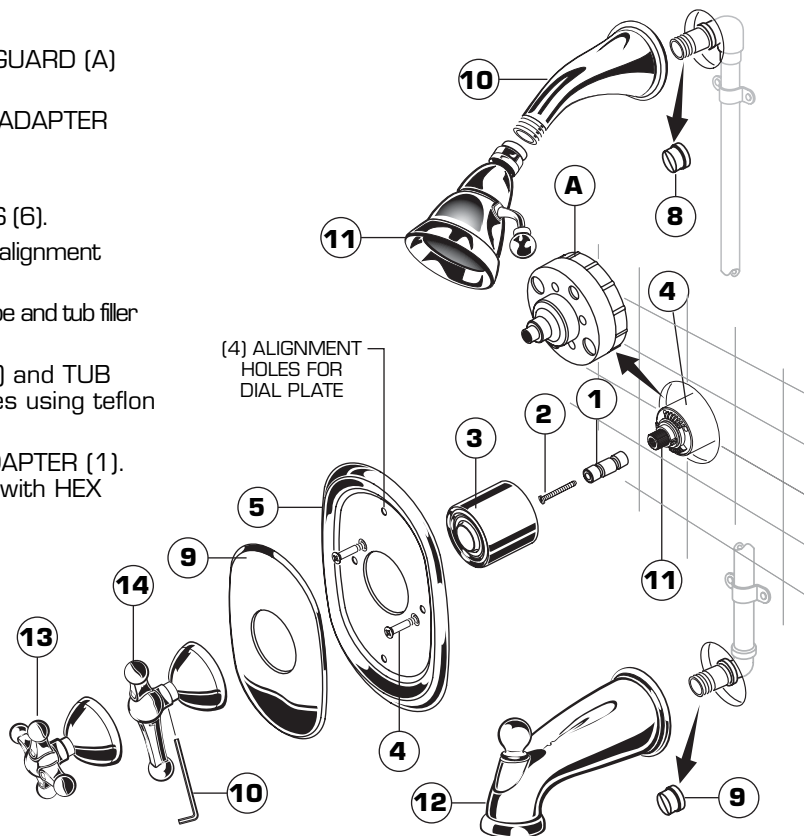


1

INSTALL TRIM

CAUTION: Protect finish on SHOWER ARM, SHOWER HEAD and TUB SPOUT when installing.

- When finished tiling the wall, remove PLASTER GUARD (A) and turn off water supply.
- Install STEM ADAPTER (1) onto valve stem with ADAPTER SCREW (2).
- Push CAP (3) over VALVE CARTRIDGE (4).
- Mount ESCUTCHEON (5) to valve body with SCREWS (6).
- Push DIAL PLATE (7) over CAP (3) and into the four alignment holes in ESCUTCHEON (5).
- Remove PIPE CAP (8) and PIPE CAP (9) from shower pipe and tub filler pipe.
- Install SHOWER ARM (10), SHOWER HEAD (11) and TUB FILLER SPOUT (12) by threading onto pipe nipples using teflon tape or pipe sealant.
- Align HANDLE (13, 14) and push onto STEM ADAPTER (1). Tighten set screw in HANDLE (13, 14) securely with HEX WRENCH (15) supplied.



2

TO GAIN ACCESS TO VALVE FOR SERVICING

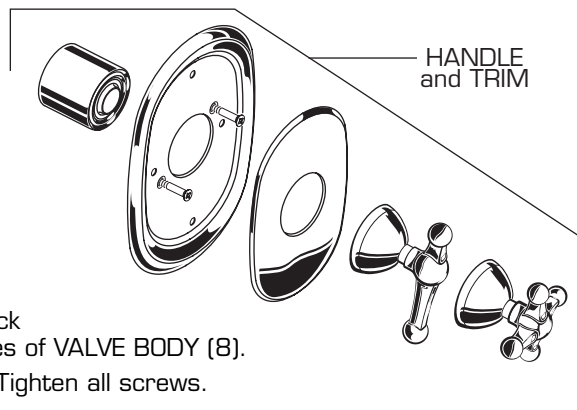
- Remove HANDLE and TRIM. See step one and reverse assembly procedure.

VALVE LEAKS WHEN SHUT OFF

- Remove CARTRIDGE (1) by removing CARTRIDGE SCREWS (2). Remove three SCREWS (3) from FIXATION RING (4) and pull out PRESSURE BALANCING (5) unit.
- Clean SEALS (9) on base of CARTRIDGE (1). Check base of PRESSURE BALANCING UNIT (5) and clean O-RINGS (6). Remove CAPS (7) and check O-RINGS on inside of CAPS (7) for debris. Clean inside sealing surfaces of VALVE BODY (8).
- Re-assemble PRESSURE BALANCING UNIT (5) and CARTRIDGE (1). Tighten all screws.
- Turn on water supply and see above for installing TRIM and HANDLE. If it still leaks, replace pressure balancing unit (M952100-0070A).

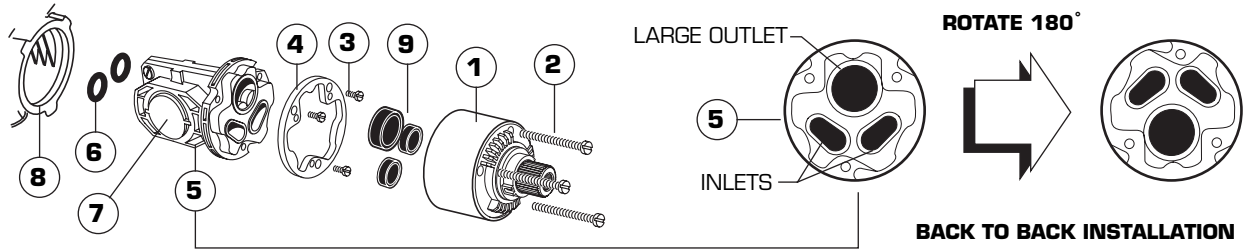
UNABLE TO MAINTAIN CONSTANT TEMPERATURE

- Remove PRESSURE BALANCE UNIT (5).
- Remove CAPS (7) and clean valve thoroughly.
- Examine balancing unit and check condition of O-ring on end of piston. Piston should move back and forth. Order Repair Part M952100-0070A if balancing unit is defective. Replace CAPS (7) and install PRESSURE BALANCE UNIT (5). Make sure inlets line up with two holes in bottom of casting. Top flange should butt-up against top of casting.



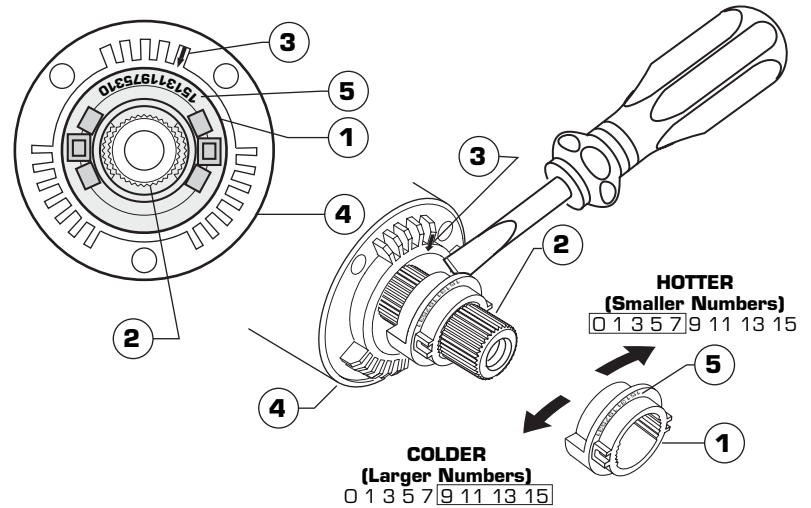
3 BACK TO BACK INSTALLATION

- Remove PRESSURE BALANCE UNIT (5). Rotate PRESSURE BALANCE UNIT (5) 180° so that the inlets face up and the large outlet port faces down.
- Push PRESSURE BALANCE UNIT (5) in casting make sure inlets line up with holes in bottom of casting. Top flange should butt up against top of casting. Reassemble FIXATION RING (4) and CARTRIDGE (1).



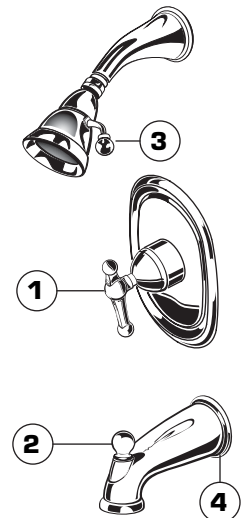
4 ADJUST HOT LIMIT STOP

- By restricting HANDLE rotation and limiting the amount of hot water allowed to mix with the cold, the HOT LIMIT SAFETY STOP (1) reduces risk of accidental scalding. To set the maximum hot water temperature of your faucet, you need to adjust the setting on the HOT LIMIT SAFETY STOP (1).
- Turn CARTRIDGE STEM (2) to the OFF position (coldest setting) before making adjustment to HOT LIMIT STOP (1). Use a flat blade screwdriver to pry free the HOT LIMIT SAFETY STOP (1).
- Pull forward and rotate counterclockwise one number to limit hot water temperature. Use ARROW (3) on CARTRIDGE (4) and NUMBERS (5) on HOT LIMIT STOP (1) for indication.



5 TEST INSTALLED FITTING

- Turn VALVE (1) "off".
- With HANDLE (1) in "off" position, turn on water supplies and check all connections for leaks.
- Operate HANDLE (1) and flush water lines thoroughly. Pull DIVERTER (2) up and check SHOWER (3) for proper operation.
- Check SPOUT (4) and SHOWER (3) connections for leaks.



6 EverClean™ Finish Care Instructions

American Standard's EverClean finish will wipe clean with a soft, dry cloth. A soft cloth with clean water may also be used, if desired. No additional cleaning products are required.

DO NOT USE: Soaps, acid, polish, abrasives, harsh cleaners, or a cloth with a coarse surface.