

Owner's Manual BY-PASS SHOWER DOOR

Showerite

American Standard
Style That Works Better

Thank you for selecting our product...the benchmark of fine quality for over 100 years. To ensure that your installation proceeds smoothly--please read these instructions carefully before you begin.

Record Model Number _____

710017-100

BEFORE YOU BEGIN...

Local building codes vary by location. Observe all local plumbing and building codes.

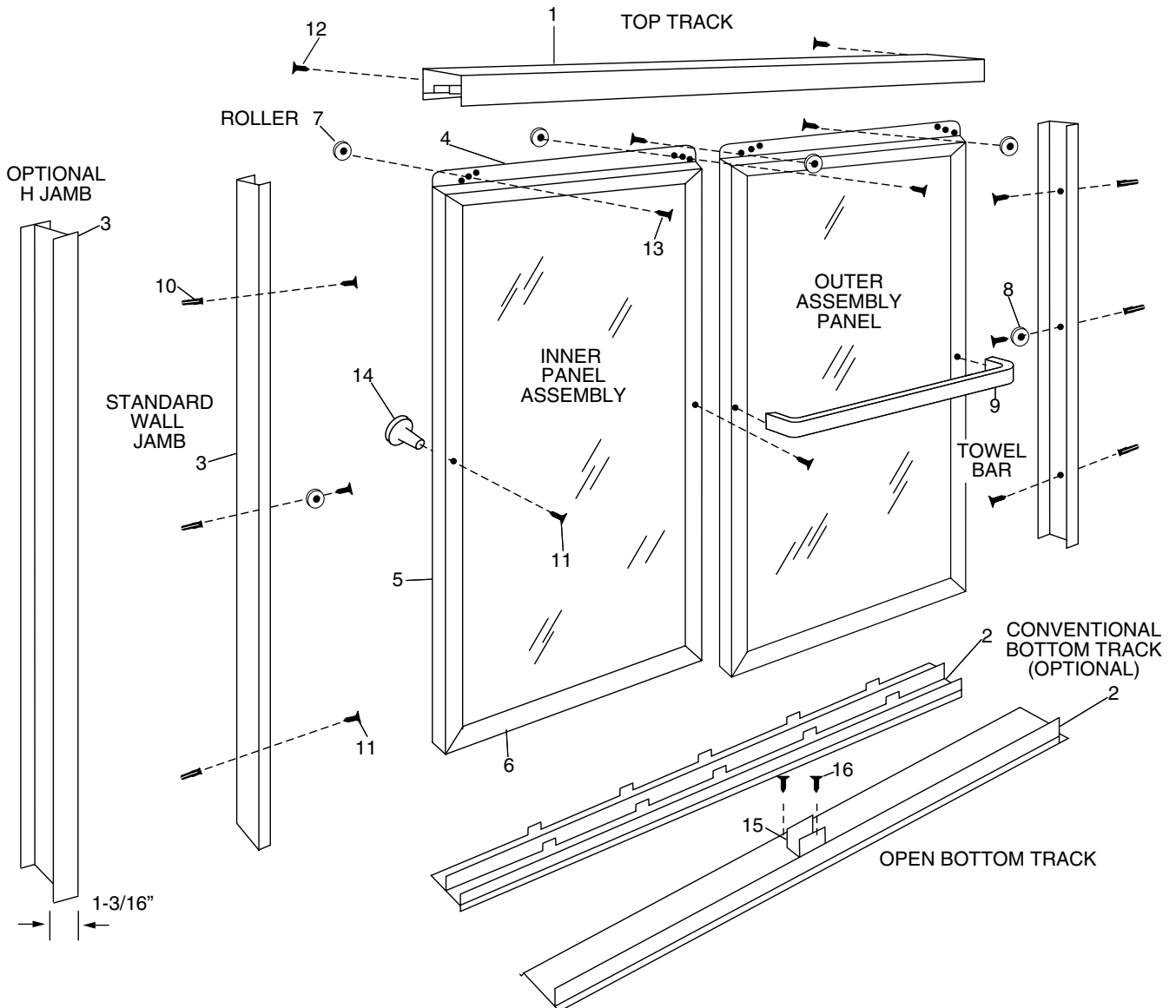
Unpack your new shower doors and inspect them carefully for damage. Verify that the doors are the correct size for your installation.

TOOLS & MATERIALS REQUIRED...

• Tape Measure • Electric Drill • Level • Phillips and Flat Screwdrivers • Drill Bits 1/8" & 3/16" • Hacksaw • Silicone Caulk

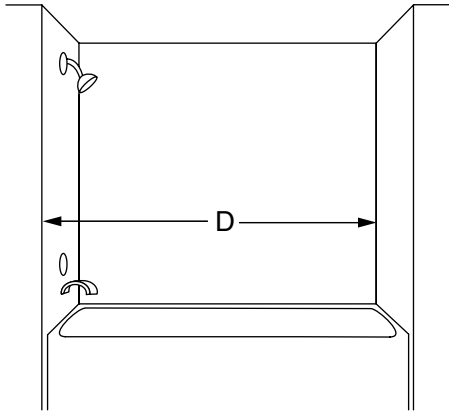
IMPORTANT: Record the Model No. (see carton) of your shower or tub enclosure for future reference. Model No. _____

READ THE INSTRUCTIONS CAREFULLY: Familiarize yourself with all the parts as shown in the exploded view. The exploded view will also provide a helpful reference when relating the location of the various parts and how they are mounted.



1

Measure length D along center of tub ledge (if a steel tape is used, be sure to consider width of case in measurement.)

**2**

Cut bottom track 3/16" shorter than length D. Do not cut top track at this time.

NOTE: If using optional H-jambs, cut bottom track 1-3/16" shorter than distance D. Never cut wall jambs.

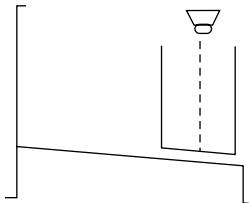


For best results use a 32-tooth hacksaw blade and a miter box.

3

After cutting open bottom track to size, measure from end to center of bottom track and locate center guide on inside edge (see drawing).

Use center guide as template and drill two 1/8" holes and attach to bottom track with 3/16" flat head screws.



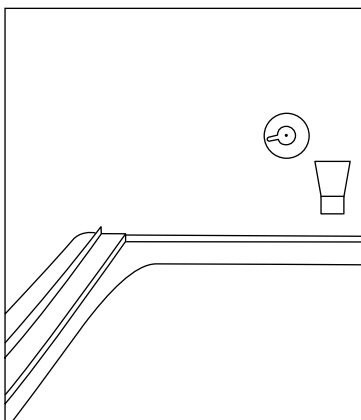
Slanted side of center guide should be inside edge of bottom track by about 1/16"

4

Temporarily place bottom track in the center of ledge. For conventional bottoms track drain holes should be toward the inside.

For open bottom track, the center guide should be toward the inside.

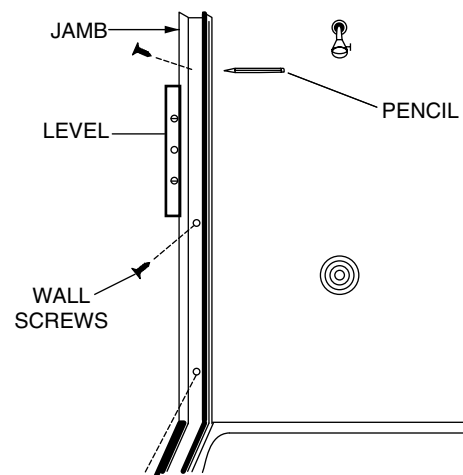
Fasten in place temporarily with masking tape. Mark position with a pencil.

**5**

Use a level to plumb wall jamb as shown.

Mark 3 hole locations. Repeat procedure at opposite side with other jamb.

NOTE: It may be necessary to radius bottom corner of wall jambs to fit corners of fiberglass shower modules.



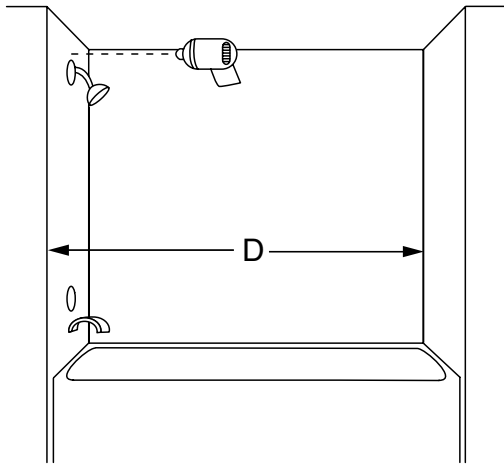
6

Remove bottom track and drill 3/16" holes for screw anchors. In ceramic tile use a masonry drill bit and nick surface glaze first with a center punch.

After drilling, clean tub rim or stall threshold thoroughly to assure proper adhesion of bottom track.

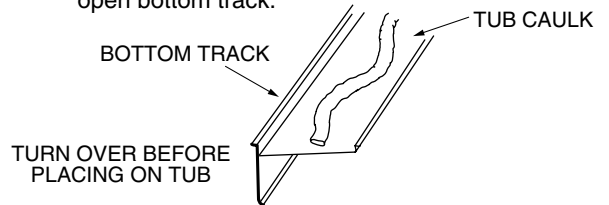
Insert screw anchors provided.

NOTE: On fiberglass or plastic walls, use a 1/8" drill bit and do not use the screw anchors.

**7**

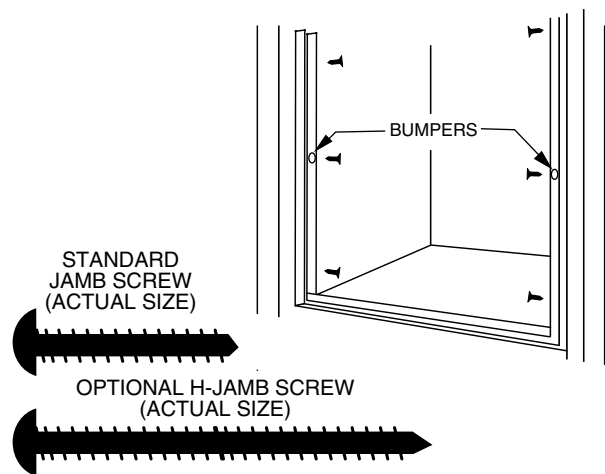
Apply a thick bead of caulking to bottom of bottom track as shown. Replace on unit where previously marked.

NOTE: Position with drain slots to inside for conventional bottom track. Position center guide to inside for open bottom track.

**8**

Install wall jambs and secure with screws provided.

Ensure wall bumper is installed at the center as shown.

**9**

Measure wall to wall opening at top of jambs.

Cut the header 1/16" shorter than the actual measurement to allow for clearance.

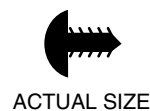
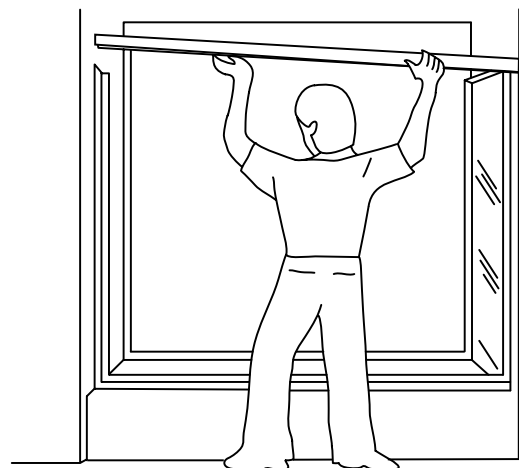


For best results, use a 32-tooth hacksaw blade and a miter box.

10

Install header over each top end of wall jambs. Drill a 1/8" hole through the header and into wall jamb from inside at each end. (1/4" from wall).

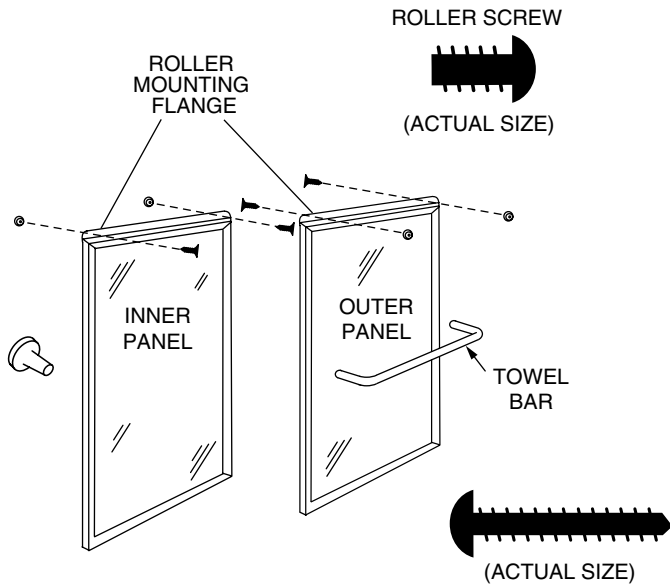
Fasten header to wall jambs with screws provided.



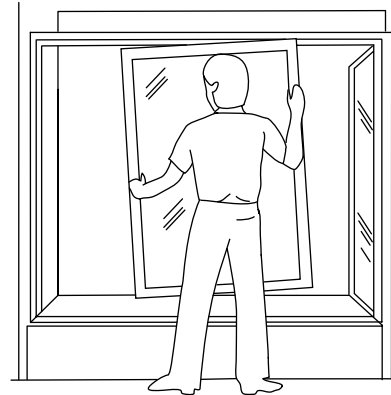
11

Install Towel bar and round plastic handles to doors as shown. If applicable, smooth side of panels should face inside tub.

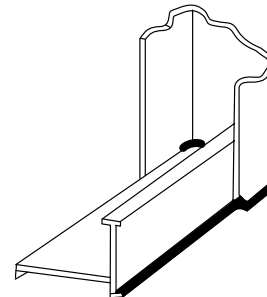
Mount nylon rollers to center holes on top of each door, facing same way as towel bar and handles. The metal nut on rollers should be installed against door top.

**12**

Install door panels by lifting up inside header and hanging rollers on each respective groove.

**13**

1. Caulk gap at both ends of bottom track wall jamba.
2. Caulk along inside wall jamba.
3. Caulk along bottom track for additional sealing



HOW TO CARE FOR YOUR ENCLOSURE

Do not use scouring powder, pads or sharp instruments on metal or glass panels. Occasionally wipe with mild detergent diluted in water to keep the panels and metal parts looking new. Use squeegees following each shower to eliminate water spots on the inside of the glass panels.

HOW TO ORDER REPLACEMENT PARTS

Provide the following information to your Dealer.

1. Part Name
2. Part Number
3. Part Description
(Length, Size,
Color, etc.)
4. Model Number

Key No.	Part Name	Part No. Pacer
1	HEADER	1090
2	CONVENTIONAL BOTTOM TRACK OPEN BOTTOM TRACK	1392 EX104
3	WALL JAMB – STANDARD H-JAMB-OPTIONAL	EX105 1391-1
4	TOP FRAME	1094
5	SIDE FRAME	1093
6	BOTTOM FRAME	1095
7	ROLLER	E9004
8	WALL BUMPER	55
9	TOWEL BAR	1098
10	SCREW ANCHOR	PSA-1
11	MTG. SCREW-WALL JAMB/TOWEL BAR MTG. SCREW-OPTIONAL H-JAB	81-P 82-P
12	MTG. SCREW-HEADER	838-PP
13	SCREW-ROLLER	832-12
14	ROUND PLASTIC HANDLE	9103
15	CENTER GUIDE	MSG 1
16	CENTER GUIDE SCREWS	838-F

AS AMERICA, INC. LIMITED LIFETIME WARRANTY FOR SHOWER DOORS

Showerite

American Standard

Style That Works Better

AS America, Inc. ("American Standard") warrants to the **original consumer purchaser** that it will, at its sole option, repair or replace this product or any part of this product, if it confirms that the product is defective in materials or workmanship under normal use and maintenance for the lifetime of this product.

This warranty does not apply to commercial installations. Commercial installations shall have a limited warranty of 3 year(s).

This limited warranty DOES NOT COVER the following:

1. Defects or damage arising from shipping, installation, alterations, accidents, abuse, misuse, lack of proper maintenance and use of other than genuine American Standard replacement parts, in all cases whether caused by a plumbing contractor, service company, the owner or any other person.
2. Deterioration through normal wear and tear.
3. HARD WATER DAMAGE, OR DAMAGES RESULTING FROM ABUSE OR MISUSE OR FROM FAILURE TO INSTALL OR MAINTAIN THIS PLUMBING PRODUCT IN ACCORDANCE WITH THE WRITTEN INSTRUCTIONS FURNISHED BY AS AMERICA, INC.
4. USE OF CLEANING PRODUCTS CONTAINING CALCIUM HYPO CHLORITE (CHLORINE), SCOURING POWDERS OR PADS SHALL NOT BE COVERED.
5. THE USE OF SCENTED CANDLES IN CLOSE PROXIMITY WITH THIS PRODUCT CAN RESULT IN PERMANENT STAINING OF THE FINISH.
6. Expense of normal maintenance.
7. All costs of removal, transportation, labor, reinstallation or other costs including postage and/or shipping costs to obtain warranty service shall be paid by the consumer.
8. ANY LIABILITY FOR CONSEQUENTIAL OR INCIDENTAL DAMAGES, ALL OF WHICH ARE HEREBY EXPRESSLY DISCLAIMED. ANY IMPLIED WARRANTIES, INCLUDING THOSE OF MERCHANTABILITY OR FITNESS FOR PURPOSE INTENDED ARE SPECIFICALLY EXCLUDED. (Some jurisdictions do not allow limitations on how long an implied warranty lasts, or the exclusion or limitation of incidental or consequential damages, so these limitations and exclusions may not apply to you.)
9. Responsibility for compliance with local code requirements ARE EXCLUDED FROM THIS WARRANTY. (Since local code requirements vary greatly distributors, dealers, installation contractors and users of plumbing products should determine whether there are any code restrictions on the installation or use of a specific product.)

This limited warranty gives you specific legal rights. You may have other statutory rights that vary from state to state or from province to province, in which case this limited warranty does not affect such statutory rights.

For service under this warranty, it is suggested that a claim be made through the contractor or dealer from or through whom the product was purchased, or that a service request (including a description of the product model and of the defect) be sent to the following with proof of purchase or original receipt:

AS America, Inc.
P.O. Box 659
West Caldwell, NJ 07007
Attention: Customer Care Center

Customer Care by telephone: 1-800-442-1902

GARANTÍA LIMITADA DE POR VIDA DE AS AMERICA, INC. PARA PUERTAS DE DUCHA

Showerite

American Standard

Style That Works Better

AS America, Inc. ("American Standard") le garantiza al **comprador original** que reparará o reemplazará, si lo estima conveniente, este producto o cualquiera de sus piezas, si confirma que el producto tiene defectos de materiales o de mano de obra según el uso y mantenimiento normales, durante toda la vida de este producto.

Esta garantía no se aplica a instalaciones comerciales. Las instalaciones comerciales tendrán una garantía limitada de 3 años.

Esta garantía limitada NO CUBRE lo siguiente:

1. Defectos o daños que surjan del envío, la instalación, alteraciones, accidentes, abuso, uso indebido, falta de mantenimiento correcto y uso de piezas que no sean repuestos originales de American Standard en todos los casos, ya sea causados por un contratista de plomería, una empresa de servicios, el propietario o cualquier otra persona.
2. Deterioro por desgaste y uso normal.
3. DAÑOS POR AGUAS DURAS O DAÑOS RESULTANTES DE ABUSO O USO INDEBIDO O POR NO HABER INSTALADO O REALIZADO EL MANTENIMIENTO DE ESTE PRODUCTO DE PLOMERÍA DE ACUERDO CON LAS INSTRUCCIONES ESCRITAS PROPORCIONADAS POR AS AMERICA, INC.
4. EL USO DE PRODUCTOS DE LIMPIEZA CON HIPOCLORITO DE CALCIO (CLORO), POLVOS O ESPONJAS DE LIMPIEZA ABRASIVOS NO ESTARÁ CUBIERTO.
5. EL USO DE VELAS AROMÁTICAS DEMASIADO CERCA DE ESTE PRODUCTO PUEDE PRODUCIR MANCHAS PERMANENTES EN EL ACABADO.
6. Gastos de mantenimiento normal.
7. Todos los costos de remoción, transporte, mano de obra, reinstalación u otros costos, incluso gastos de franqueo y/o envío para obtener servicio de garantía serán pagados por el consumidor.
8. CUALQUIER RESPONSABILIDAD CIVIL POR DAÑOS INDIRECTOS O INCIDENTALES, TODOS LOS CUALES QUEDAN EXPRESAMENTE EXCLUIDOS POR EL PRESENTE DOCUMENTO. CUALQUIER GARANTÍA IMPLÍCITA, INCLUSO LAS GARANTÍAS DE COMERCIABILIDAD O IDONEIDAD PARA UN PROPÓSITO PREVISTO, QUEDA ESPECÍFICAMENTE EXCLUIDA. (Algunas jurisdicciones no permiten limitaciones con respecto a la vigencia de una garantía implícita o la exclusión o limitación de daños incidentales o indirectos, de modo que estas limitaciones y exclusiones pueden no corresponderle.)
9. La responsabilidad por el cumplimiento de requisitos de códigos locales QUEDA EXCLUIDA DE ESTA GARANTÍA. (Como los requisitos de códigos locales varían ampliamente, los distribuidores, concesionarios, contratistas instaladores y usuarios de productos de plomería deben determinar si existe alguna restricción en los códigos con respecto a la instalación al uso de un producto específico.)

Esta garantía limitada le otorga derechos legales específicos. Los derechos estatales que usted pueda tener y que varían de un estado a otro o de una provincia a otra, no quedan afectados por esta garantía limitada.

Para obtener servicio bajo esta garantía, se sugiere que se reclame por medio del contratista o el concesionario a quien o mediante quien se adquirió el producto, o que se envíe una solicitud de servicio (incluyendo una descripción del modelo del producto y del defecto) a los siguientes junto con un comprobante de compra o el recibo original:

AS America, Inc.
P.O. Box 659
West Caldwell, NJ 07007
Atención: Servicio al cliente

Servicio al Cliente por teléfono: 1-800-442-1902