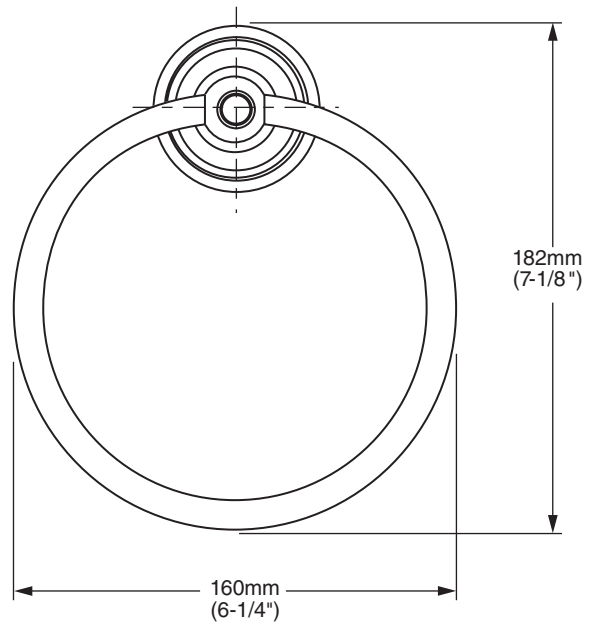
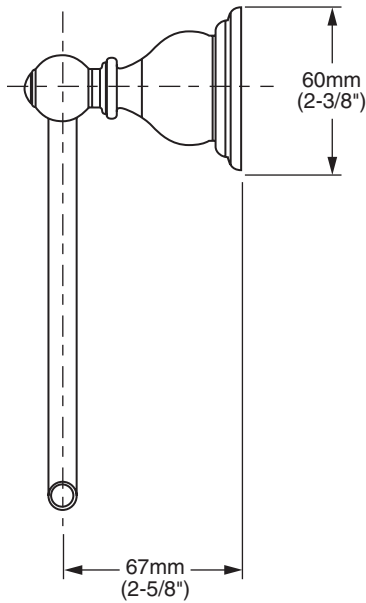


MODEL NUMBER:

☐ 8040.190 - Towel Ring

Available Finishes

.224	Oil Rubbed Bronze
.228	Polished Chrome w/extra PVD Polished Brass accents
.234	PVD Satin Nickel w/extra Polished Chrome accents



PRODUCT FEATURES:

Materials of Construction:

- Solid brass construction for durability and long life.
- Bushing on towel ring to prevent scratching and squeaking.

Concealed Mounting: No exposed set screws.

Easy to Install

Durability of Finishes: Chrome and PVD finishes will never tarnish.

SUGGESTED SPECIFICATION:

Towel Ring shall feature solid brass construction with tarnish - free PVD finish. Shall feature concealed mounting with no exposed set screws. Towel Ring shall have bushing to prevent scratching and squeaking. Towel Ring shall be American Standard Model # 8040.190.____.

American Standard

Style That Works Better
