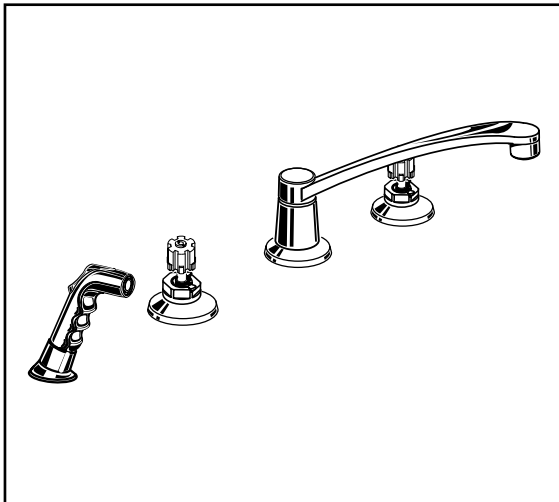


**HERITAGE/AMARILIS**  
**TWO-HANDLE BOTTOM-MOUNT KITCHEN FAUCET**  
**WITH CONVENTIONAL BRASS SPOUT**

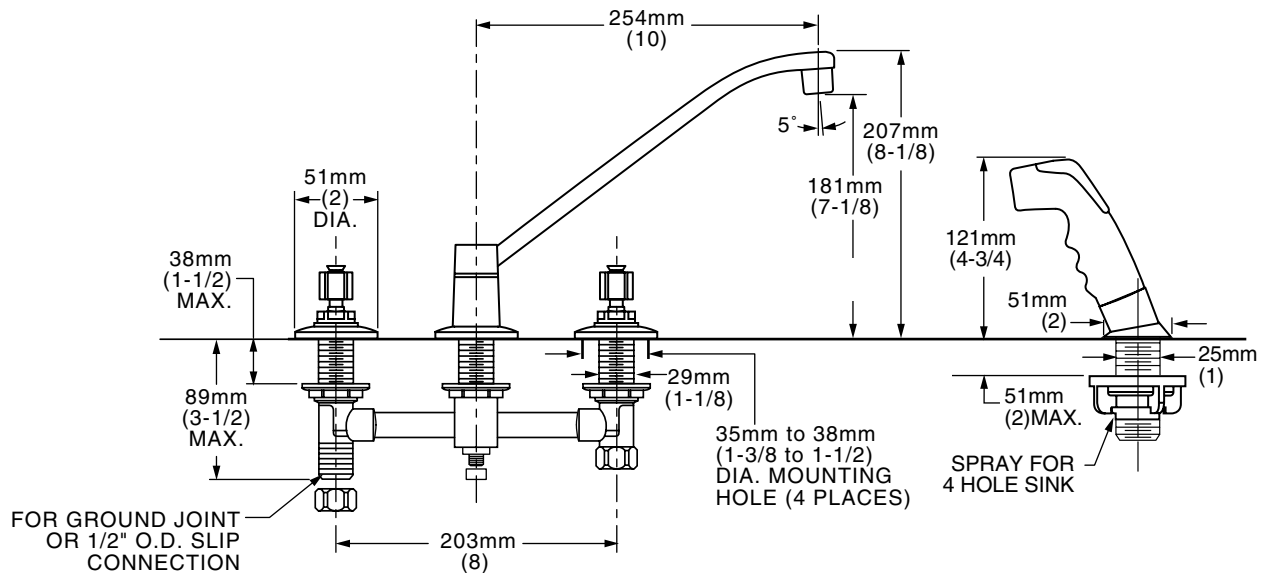


7271.000 Shown

**MODEL NUMBER:**

- 7271.000 Bottom-Mount Kitchen Faucet**  
Swivel spout. Color-matched side spray. Less handles.
- 7270.000 Bottom-Mount Kitchen Faucet**  
Swivel spout. Less spray. Less handles.

**Handles must be ordered separately.**



**GENERAL DESCRIPTION:**

Durable brass construction. Amarilis 1/4 turn washerless ceramic disc valve cartridges - reversible for use with either lever or round handles. One-half inch male inlet shanks with brass coupling nuts. 10" (254mm) long brass swivel spout. 2.2gpm/8.3L/min. maximum flow rate.

**PRODUCT FEATURES:**

- Ceramic Disc Valve Cartridges:** Assures a lifetime of drip-free performance.
- Brass Construction:** Durable - Excellent in high use applications. Ideal for prolonged contact with water.
- Low Lead:** Meets NSF Standard 61/Section 9 & Prop 65 lead requirements.
- Wide Selection of Handle Styles:** Full range of interchangeable handle styles.

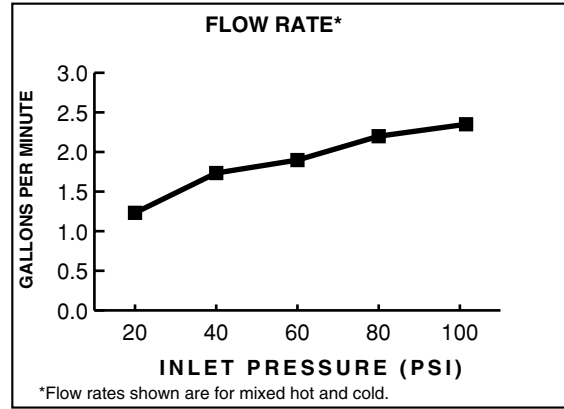
**SUGGESTED SPECIFICATION:**

Two handle bottom-mount kitchen faucet shall feature brass construction with all brass coupling nuts. Shall also feature 1/4 turn washerless ceramic disc valve cartridges that are reversible for use with round or lever handles. Faucet shall be American Standard Model # \_\_\_\_\_, and handle kit # 0000.\_\_\_\_\_.

**CODES AND STANDARDS**

These products meet or exceed the following codes and standards:

- ASME A112.18.1**
- CSA B 125**
- NSF 61/Section 9**



| Product Number | Description   | Finish          |
|----------------|---|-----------------|
|                |   | Polished Chrome |
|                |   | 002             |
| 7271.000       | Kitchen Faucet with Color-matched side spray. Less handles. |                 |
| 7270.000       | Kitchen Faucet. Less hand spray. Less handles.              |                 |

**Handles must be ordered separately.**

To order **Less Handles** - Specify: 4 digit Style number followed by three zeros and 3 digit finish number.  
 Example 7271.000.002 = Kitchen faucet with hand spray in Polished Chrome finish.

**The above fittings will accept the following Amaris-Series handles.**

|             |                |             |             |              |              |            |
|-------------|----------------|-------------|-------------|--------------|--------------|------------|
|             |                |             |             |              |              |            |
| Metal Lever | Perfume Bottle | Metal Cross | Metal Lever | Wrist Blade  | Lever        | Lexington  |
| 442         | 432            | 552         | 542         | 372H<br>372V | 342H<br>342V | 902<br>912 |
|             |                |             |             |              |              |            |

Meets the American Disabilities Act Guidelines and **ANSI A117.1** Requirements for the physically challenged.