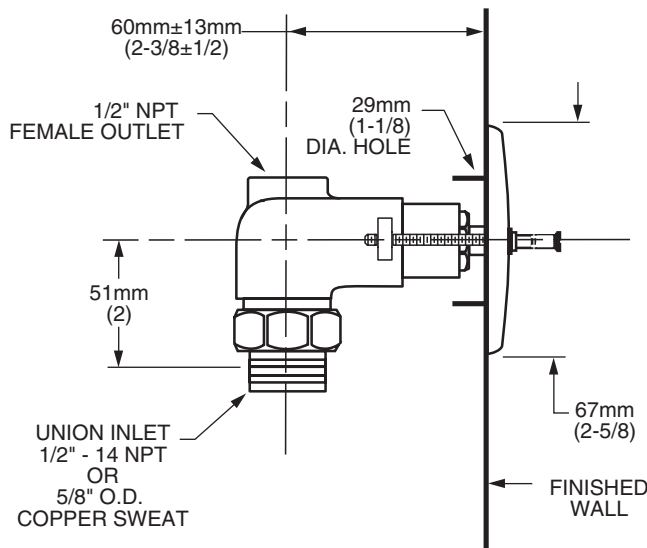


7001.490 Shown.

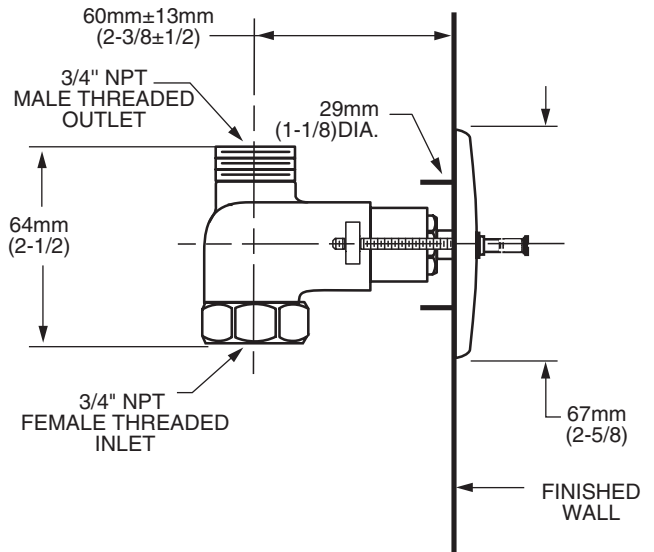
MODEL NUMBER:

- 7001.490 On/Off & Volume Control Valve**
1/2" inlet/outlet. With handle.
- 7001.000 On/Off & Volume Control Valve**
1/2" inlet/outlet. Less handle.
- 7011.490 On/Off & Volume Control Valve**
3/4" inlet/outlet. With handle.
- 7011.000 On/Off & Volume Control Valve**
3/4" inlet/outlet. Less handle.

Models 7001.490 & 7001.000



Models 7011.490 & 7011.000



GENERAL DESCRIPTION:

Cast brass valve body. Amaris washerless ceramic disc valve cartridge. Models 7001.490 and 7001.000 with combination 1/2" NPT threaded and direct sweat inlets. 1/2" NPT female outlet. Models 7011.490 and 7011.000 with 3/4" female inlet. 3/4" male outlet.

PRODUCT FEATURES:

Brass Construction: Durable - Excellent in high use applications. Ideal for prolonged contact with water.

Ceramic Disc Valve Cartridge: Assures a lifetime of drip-free performance.

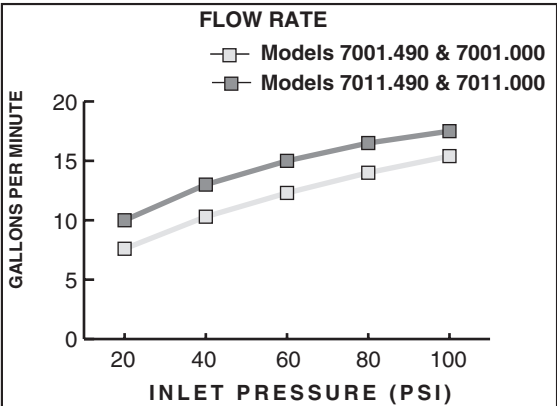
SUGGESTED SPECIFICATION:

In-wall single valve shall feature a cast brass valve body. Models 7001.490 and 7001.000 shall feature combination 1/2" NPT threaded and direct sweat inlets. 1/2" NPT female outlet. Models 7011.490 and 7011.000 shall feature 3/4" female inlet. 3/4" male outlet. Shall also feature 1/4 turn washerless ceramic disc valve cartridges. Fitting shall be American Standard Model # _____.

CODES AND STANDARDS

These products meet or exceed the following codes and standards:

- ASME A112.18.1**
- CSA B 125**



Product Number	Description	Finish Options			
		Polished Chrome	PVD Polished Brass	PVD Satin Nickel	Chrome/(PVD) Brass mix.
		002	099	295	299
7001.490	In-wall single valve. 1/2" inlet/outlet. With handle.				
7001.000	In-wall single valve. 1/2" inlet/outlet. Less handle.				N/A
7011.490	In-wall single valve. 3/4" inlet/outlet. With handle.				
7011.000	In-wall single valve. 3/4" inlet/outlet. Less handle.				N/A

N/A = NOT AVAILABLE
Handles must be ordered separately.

7001.000 and 7011.000 will accept the following Amaris-Series handles.

Metal Cross	Metal Lever	Porcelain Cross	Perfume Bottle	Metal Cross	Metal Lever	Porcelain Lever	Lexington	Triune Cross
451	441	461	431	551	541	571	901 911	861

Meets the American Disabilities Act Guidelines and **ANSI A117.1** Requirements for the physically challenged.