

## JETBROOK™ 1.0 GPF BLOWOUT URINAL

- Vitreous china
- Front jetted, blowout-type flush action
- 21" Extended Lip
- 1-1/2" glazed trapway
- Low-consumption (3.8 Lpf/1.0 gpf)
- Flushing rim
- 1-1/4" inlet spud
- Outlet connection threaded 2" inside (NPTF)
- Wall hanger
- Fixture only
- Meets ANSI flush requirements at 1.0 GPF

**6571.014** Top spud 2", outlet

**6574.011** Back spud 2", outlet

### Nominal Dimensions:

527 x 356 x 400mm  
(20-3/4" x 14" x 16")

Recommended working pressure – between  
20 psi at valve when flushing and 80 psi static

### Compliance Certifications -

#### Meets or Exceeds the Following Specifications:

- ASME A112.19.2 for Vitreous China Fixtures

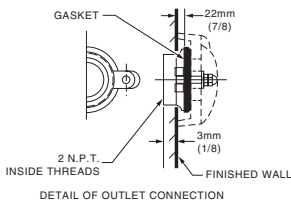
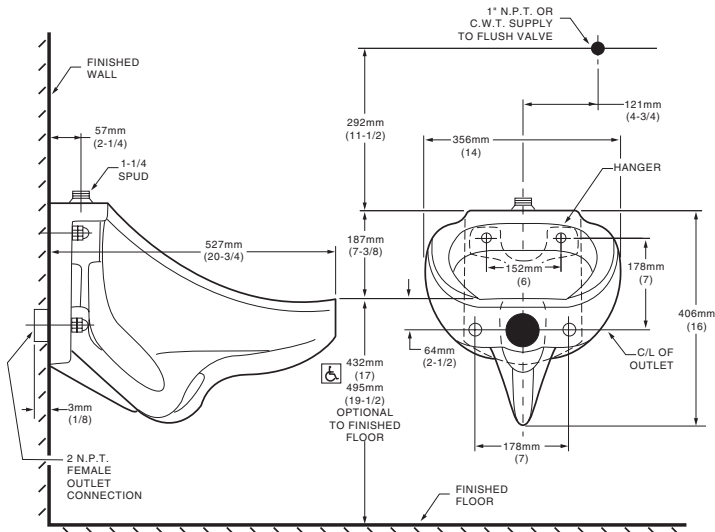


SEE REVERSE FOR ROUGHING-IN DIMENSIONS

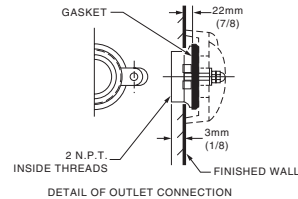
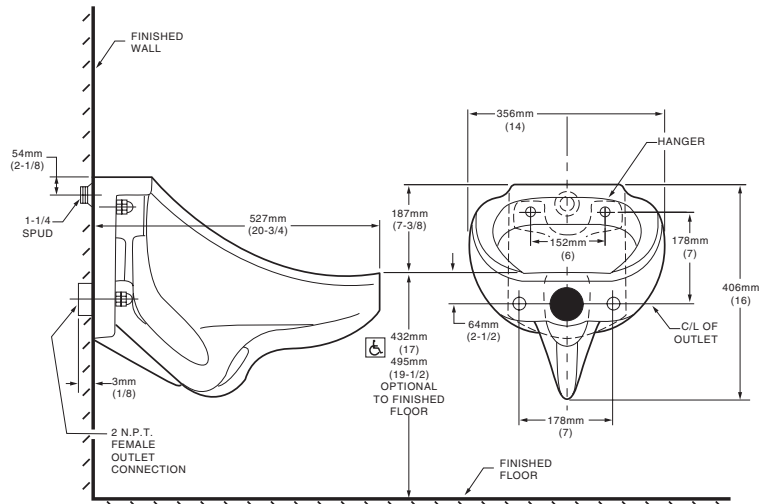
#### To Be Specified:

- Color:  White  Bone  Silver  Linen
- Flush Valve:
  - Sloan Royal 180-1.0 Manual (Top Spud)
  - Sloan Royal 180-1.0 ES-S AC Power (Top Spud)
  - Sloan Royal 190-1.0 Manual (Back Spud)
  - Sloan Royal 190-1.0 ES-S AC Power (Back Spud)
- Alternative Flush Valve:

## 6571.014 TOP SPUD



## 6574.011 BACK SPUD



**MEETS THE AMERICANS WITH DISABILITIES ACT GUIDELINES AND ANSI A117.1 ACCESSIBLE AND USEABLE BUILDINGS AND FACILITIES - CHECK LOCAL CODES.**

- When installed so top of rim is 432mm (17") from finished floor.

### NOTES:

THIS URINAL IS DESIGNED FOR USE WITH FLUSH VALVE ONLY. FLUSH VALVE NOT INCLUDED WITH FIXTURE AND MUST BE ORDERED SEPARATELY. PROVIDE SUITABLE REINFORCEMENT FOR ALL WALL SUPPORTS.

**IMPORTANT:** Dimensions of fixtures are nominal and may vary within the range of tolerances established by ANSI Standard A112.19.2. These measurements are subject to change or cancellation. No responsibility is assumed for use of superseded or voided pages.