

STATEBROOK URINAL

- Vitreous china
- Low Consumption (3.8 Lpf/1.0 gpf)
- Flushing rim
- Elongated 14-1/4" rim from finished wall
- Washout flush action
- Extended sides for privacy
- 3/4" inlet spud
- Outlet connection threaded 2" inside (NPTF)
- 2 wall hangers
- Fixture only
- Meets NAFTA requirements

6210.010 Top spud

6211.010 Back spud

Nominal Dimensions:

362 x 457 x 679mm
(14-1/4" x 18" x 26-3/4")

Recommended working pressure – between 20 psi at valve when flushing and 80 psi static
Minimum flowing water pressure of 15 PSI is required at valve.

Compliance Certifications -

Meets or Exceeds the Following Specifications:

- ASME A112.19.2 for Vitreous China Fixtures



SEE REVERSE FOR ROUGHING-IN DIMENSIONS

To Be Specified:

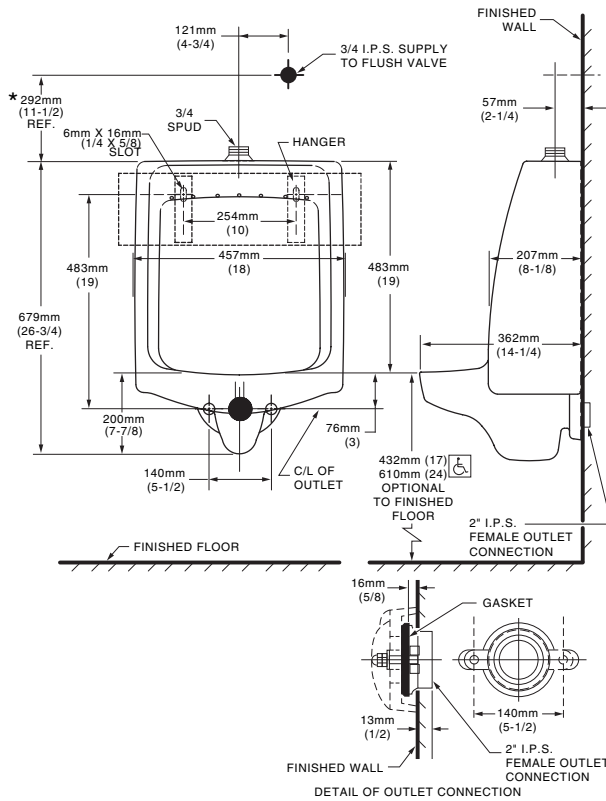
- Color: White Bone Linen
- Flush Valve:
 - American Standard Selectronic™ #6063.051.002 DC Power (Top Spud)
 - American Standard Selectronic™ #6063.305.007 DC Power (Back Spud)
 - American Standard Selectronic™ #6062.305.007 AC Power (Back Spud)
 - American Standard Selectronic™ #6061.305.007 Multi AC Power (Back Spud)
- Stainless Steel Strainer: 047068-0070A



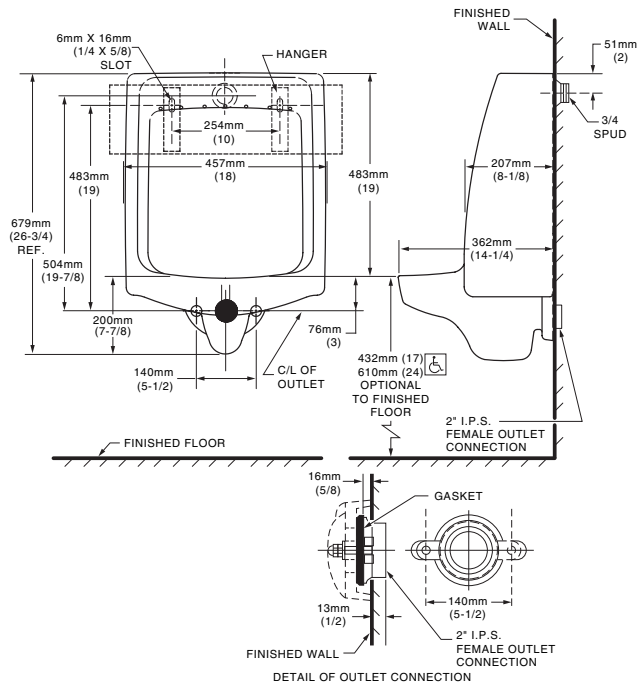
MEETS THE AMERICANS WITH DISABILITIES ACT GUIDELINES AND ANSI A117.1 ACCESSIBLE AND USABLE BUILDINGS AND FACILITIES - CHECK LOCAL CODES.

- When installed so top of rim is 387mm (15-1/4") from finished floor.

6210.010 TOP SPUD



6211.010 BACK SPUD



MEETS THE AMERICANS WITH DISABILITIES ACT GUIDELINES AND ANSI A117.1 ACCESSIBLE AND USABLE BUILDINGS AND FACILITIES - CHECK LOCAL CODES.

- When installed so top of rim is 387mm (15-1/4") from finished floor.

NOTES:

* VARIABLE - CHECK WITH MANUFACTURER OF FLUSHVALVE FOR PROPER ROUGHING-IN DIMENSIONS
 FLUSH VALVE NOT INCLUDED WITH FIXTURE AND MUST BE ORDERED SEPARATELY.
 PROVIDE SUITABLE REINFORCEMENT FOR ALL WALL SUPPORTS.

IMPORTANT: Dimensions of fixtures are nominal and may vary within the range of tolerances established by ANSI Standard A112.19.2. These measurements are subject to change or cancellation. No responsibility is assumed for use of superseded or voided pages.