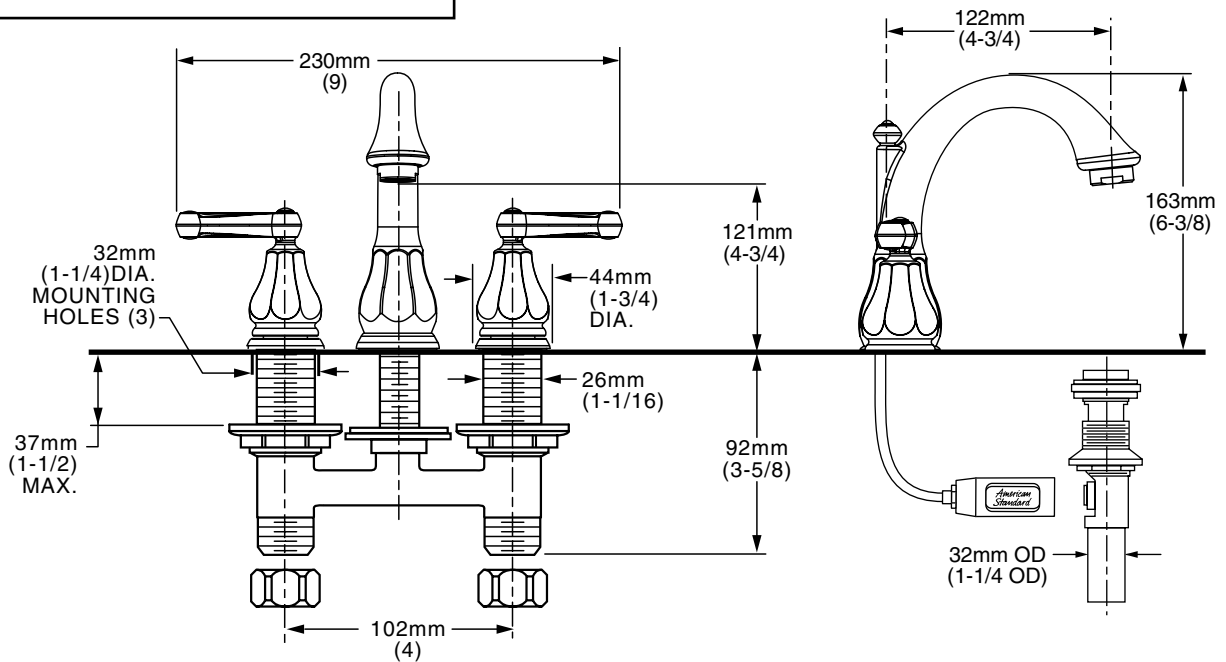




MODEL NUMBER:

- **6028.240 Dazzle Mini-spread**
 Metal Speed Connect® Pop-up drain.
 Metal Lever handles.



GENERAL DESCRIPTION:

One-piece cast brass valve body on 4" centers. 1/4 turn washerless ceramic disc valve cartridges. One-half inch brass male inlet shanks. Cast brass spout. 20 inch (500mm) long flexible stainless steel drain cable is pre-assembled to spout. Metal Speed Connect® drain body with 1-1/4 inch (32mm) tail piece. 1.5 gpm/5.7L/min. maximum flow rate.

PRODUCT FEATURES:

- Ceramic Disc Valve Cartridges:** Assures a lifetime of drip-free performance.
- Brass Construction:** Durable. Ideal for prolonged contact with water.
- Low Lead:** Meets NSF Standard 61/Section 9 & Prop 65 lead requirements.
- Exclusive Speed Connect Metal Drain:**
 - Fewer Parts - installs in less time.
 - No adjustments required - seals the first time, every time.
 - Flexible stainless steel cable - installs effortlessly in tight spaces.
- Choice of Finishes:** Available in choice of Polished Chrome, Blackened Bronze (PVD) or Satin Nickel (PVD).

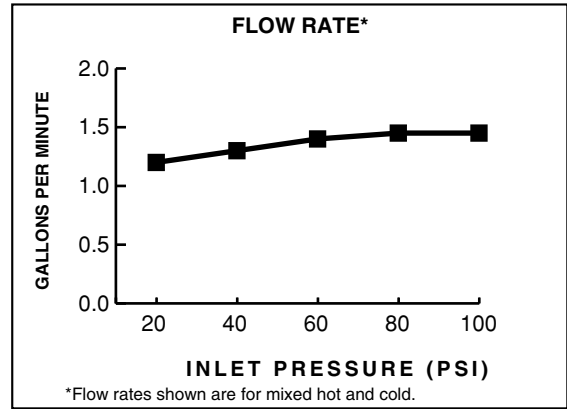
SUGGESTED SPECIFICATION:

Two handle minispread lavatory faucet shall feature a one-piece cast brass valve body. Shall also feature 1/4 turn washerless ceramic disc valve cartridges. Shall also feature a metal drain body with stainless steel cable actuation. Fitting shall be American Standard Model # 6028.240.____.


CODES AND STANDARDS

These products meet or exceed the following codes and standards:

- ANSI A117.1**
- ASME A112.18.1**
- CSA B 125**
- NSF 61/Section 9**



| Product Number | Description | Finish Options | | |
|----------------|--|-----------------|----------------------|------------------|
| | | Polished Chrome | PVD Blackened Bronze | PVD Satin Nickel |
| 6028.240 | DazzleMini-spread with Metal Speed Connect® Pop-up drain. Metal lever handles. | 002 | 068 | 295 |

 Meets the American Disabilities Act Guidelines and **ANSI A117.1** Requirements for the physically challenged.