

**ACRYLUX 60" x 32" BATH WALL SET**

**6032Y1.BW Bath Wall Set**

**Product Features:**

- High-gloss acrylic-capped ABS with fiberglass reinforcement
- Mounts directly to studs
- Caulk-less installation
  - Integral rubber gasket between back and side walls for a watertight seal
- Pin-and-slot design for easy alignment of side and back panels
- Full width accessory shelves

**Individual wall panels also available:**

- 0032Y1.BW-R 32" Bath Wall Panel, Right
- 0032Y1.BW-L 32" Bath Wall Panel, Left
- 6000Y1.BW-B 60" Bath Wall Panel, Back



**Nominal Dimensions:**

**Side Panels:**

60" tall x 32" wide  
(1524 x 813mm)

**Back Panel:**

60" tall x 60" wide  
(1524 x 1524 mm)

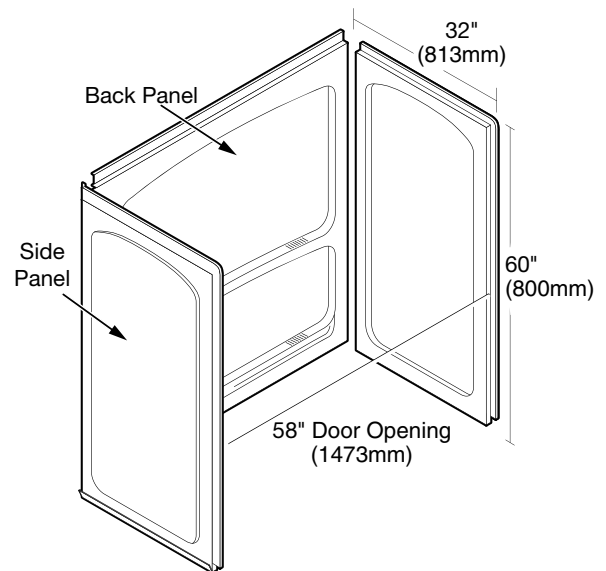
**For use with:**

- 6032Y1 Series Bathtubs and Whirlpools
- Can also be used with most standard 60" x 32" bathtubs and whirlpools

**Compliance Certifications -**

**Meets or Exceeds the Following Specifications:**

- ANSI Z124.1 for Plastic Bathtubs
- ASTM E162 for Flammability
- NFPA 258 for Smoke Density



**STUD LAYOUT**

