

ACRYLUX 60" x 32" w/INTEGRAL APRON

- 6032Y1.102 Bathing Pool, Right Drain**
- 6032Y1.202 Bathing Pool, Left Drain**

Product Features:

- High-gloss acrylic-capped ABS with fiberglass reinforcement
- Integral apron
- Integral three-sided, tiling/water retention flange
- Integral lumbar support
- Pre-leveled tub bottom



6032Y1.102

- 6032Y1.118 Whirlpool, Right Drain**
- 6032Y1.218 Whirlpool, Left Drain**

Whirlpool Features:

- 1.25 hp, single-speed pump motor
- 8 whirlpool jets
 - 4 adjustable jets
 - 4 mini-jets in the lumbar and foot areas
- Deck mounted air on/off switch
- Removable access panel

Nominal Dimensions:

59-7/8" x 32" x 18"
(1521 x 813 x 457mm)

For use with:

- 6032Y1.BW Bath Wall Set
- 6032Y1.BWT Bath Tile Wall Set
- Tub can also be installed without Acrylux wall set

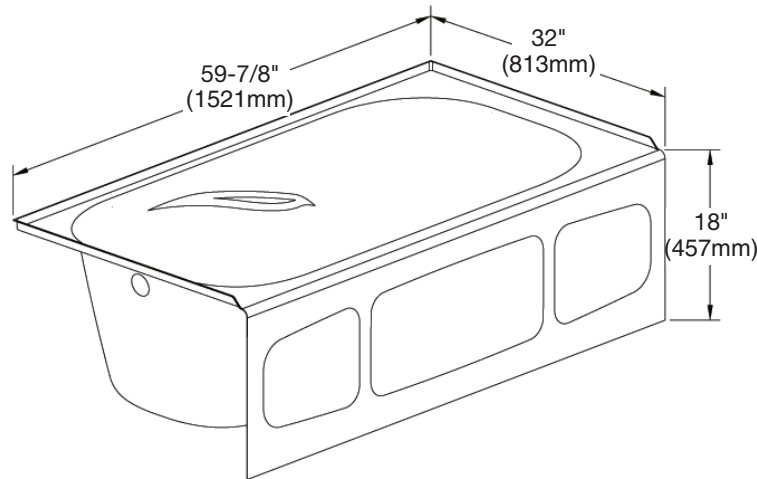


6032Y1.118

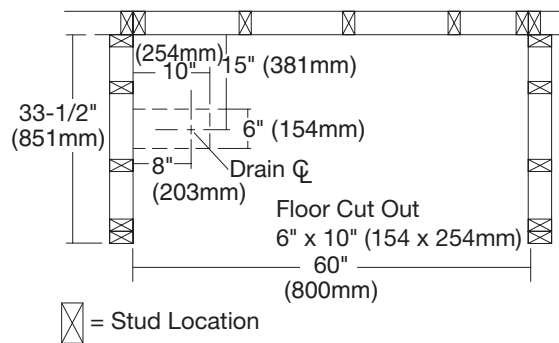
Compliance Certifications -

Meets or Exceeds the Following Specifications:

- UL 1795 for Hydromassage Bathtubs
- ASME A112.19.7M for Whirlpool Appliances
- ANSI Z124.1 for Plastic Bathtubs



STUD LAYOUT



GENERAL SPECIFICATIONS FOR 6032Y1 WHIRLPOOL	
INSTALLED SIZE	60 x 32 x 18 In. (1524 x 813 x 457mm)
WEIGHT	76 Lbs. (34 Kg.)
WEIGHT w/WATER	526 Lbs. (239 Kg.)
GAL. TO OVERFLOW	54 Gal. (204 L)
WHIRLPOOL MIN. OPERATING VOL.	28 Gal. (106 L)
BATHING WELL AT SUMP	3 In. L (76mm L)
BATHING WELL AT RIM	54 In. L (1372mm L)
WATER DEPTH TO OVERFLOW	14 in (356mm L)
FLOOR LOADING (PROJECTED AREA)	39 Lbs./Sq.Ft. (193 Kgs./Sq.m)
PTS.	7.3
CUBE (FT ³)	23.321ft ³
WHIRLPOOL ELECTRICAL SPECIFICATIONS	
WHIRLPOOL PUMP	1.25 HP, 9.7 AMPS, 120V.

GENERAL SPECIFICATIONS FOR 6032Y1 BATHING POOL	
INSTALLED SIZE	60 x 32 x 18 In. (1524 x 813 x 457mm)
WEIGHT	54 Lbs. (24 Kg.)
WEIGHT w/WATER	495 Lbs. (225 Kg.)
GAL. TO OVERFLOW	53 Gal. (201 L)
BATHING WELL AT SUMP	3 In. L (76mm L)
BATHING WELL AT RIM	54 In. L (1372mm L)
WATER DEPTH TO OVERFLOW	14 in (356mm L)
FLOOR LOADING (PROJECTED AREA)	37 Lbs./Sq.Ft. (181 Kgs./Sq.m)
PTS.	7.3
CUBE (FT ³)	23.321ft ³

NOTES:

BATH CAN BE INSTALLED EITHER ABOVE OR BELOW FLOOR LINE AS PIER, ISLAND OR PENINSULA TYPE INSTALLATION. SUMP OF BATH IS SUPPORTED BY INTEGRAL FEET. NO ADDITIONAL SUPPORT REQUIRED. ENCLOSING MATERIALS BY OTHERS.

■ REFER TO INSTALLATION INSTRUCTIONS SUPPLIED WITH WHIRLPOOL FOR ADDITIONAL INFORMATION.

● FITTINGS NOT INCLUDED AND MUST BE ORDERED SEPARATELY.

PROVIDE SUITABLE REINFORCEMENT FOR ALL SUPPORTS.

● IF INSTALLING A DECK-MOUNTED FITTING, BEFORE DRILLING ANY HOLES: CHECK FOR INTERFERENCE WITH CIRCULATING SYSTEM PIPING AND DRAIN OVERFLOW. MOUNTING HOLES DRILLED BY INSTALLER.

IMPORTANT: Dimensions of fixtures are nominal and may vary within the range of tolerances established by ANSI Standard Z124.1. These measurements are subject to change or cancellation. No responsibility is assumed for use of superseded or voided leaflet.