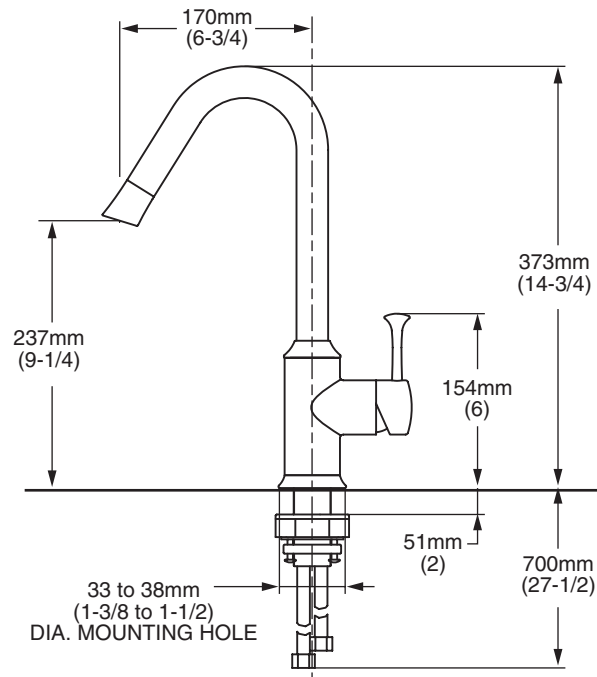




**MODEL NUMBER:**

□ **4332.001 Kitchen Faucet With Hi-Flow Spout**



**GENERAL DESCRIPTION:**

Forged brass body and brass swivel spout with metal lever handle. Washerless 40mm ceramic disc valve cartridge. Brass mounting shank with brass fixation ring. Braided flexible supply hoses with 3/8" compression connectors. 2.2 gpm/8.3L/min. maximum flow rate.

**PRODUCT FEATURES:**

**Ceramic Disc Valve Cartridge:** Assures smooth, precise valve control and a lifetime of drip-free, maintenance free performance.

**Brass Construction:** Highest quality faucet materials for durability & long life.

**Memory Position Valving:** Allows user to turn valve on and off at preferred temperature setting without readjusting handle position each time.

**Low Lead:** Meets NSF Standard 61/Section 9 & Prop 65 lead requirements.

**Choice of Finishes:** Choice of Polished Chrome or Stainless Steel (PVD).

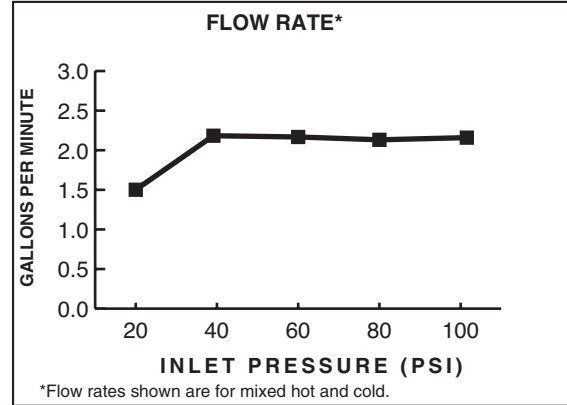
**SUGGESTED SPECIFICATION:**

Single control kitchen faucet shall feature a forged brass body, brass swivel spout and metal lever handle. Shall also feature washerless ceramic disc valve cartridge, flexible supply hoses. Fitting shall be American Standard Model # 4332.001.\_\_\_\_\_.


**CODES AND STANDARDS**

These products meet or exceed the following codes and standards:

- ANSI A117.1**
- ASME A112.18.1**
- NSF 61/Section 9**
- CSA B125**



Product Number	Description	Finish Options	
		Polished Chrome	PVD Stainless Steel
4332.001	Hi-Flow Kitchen Faucet.	002	075

 Meets the American Disabilities Act Guidelines and **ANSI A117.1** Requirements for the physically challenged.