

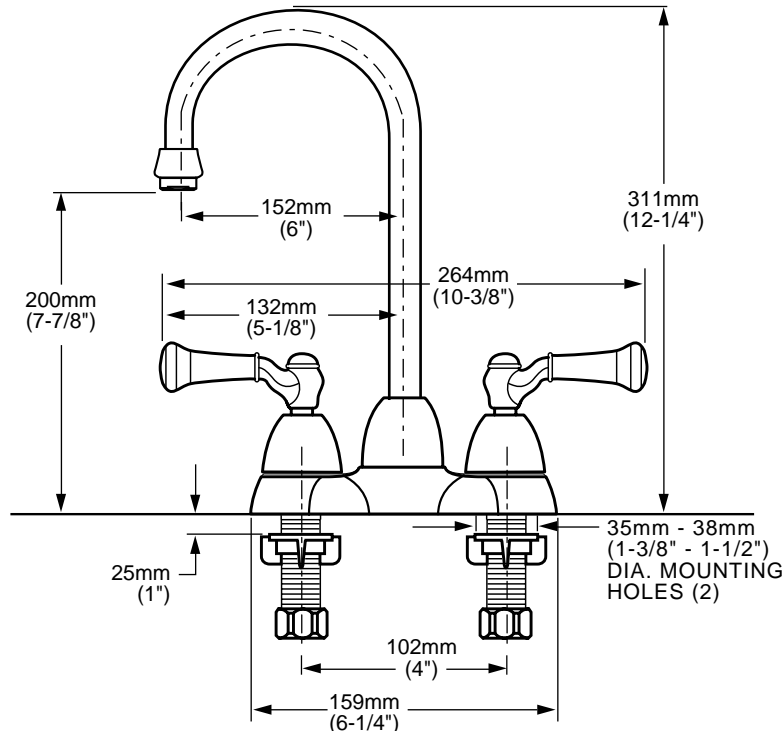
American Standard



TWO-HANDLE BAR SINK FAUCET WITH BRASS GOOSENECK SPOUT

MODEL NUMBER:

- 4223 Bar Sink Faucet**
Porcelain lever handles. Chrome Finish.
- 4223S Bar Sink Faucet**
Porcelain lever handles. Satin (PVD) Finish.



GENERAL DESCRIPTION:

Durable brass construction. 1/4 turn washerless ceramic disc valve cartridges - reversible for use on "hot" or "cold" side. One-half inch male inlet shanks with brass coupling nuts. Brass 22mm (7/8") diameter swing spout. Brass escutcheon plate (escutcheon size 6-1/4"L x 2-1/2"D). 2.2 gpm/8.3 L/min. maximum flow rate.

PRODUCT FEATURES:

Brass Construction & Cast Brass Waterway: Durable - Excellent in high use applications. Ideal for prolonged contact with water. Cast Brass waterway.

Ceramic Disc Valve Cartridges: Assures a lifetime of drip-free performance.

Larger Spout: Increased spout height, reach and diameter.

Low Lead: Meets NSF Standard 61/Section 9 & Prop 65 lead requirements.

Choice of finishes: Available in Polished Chrome or Satin (PVD).

SUGGESTED SPECIFICATION:

Two handle centerset bar sink faucet shall feature brass construction with all brass inlet shanks and coupling nuts. Shall also feature 1/4 turn washerless ceramic disc valve cartridges that are reversible for use on "hot" or "cold" side. Fitting shall be American Standard Model # 4223_.

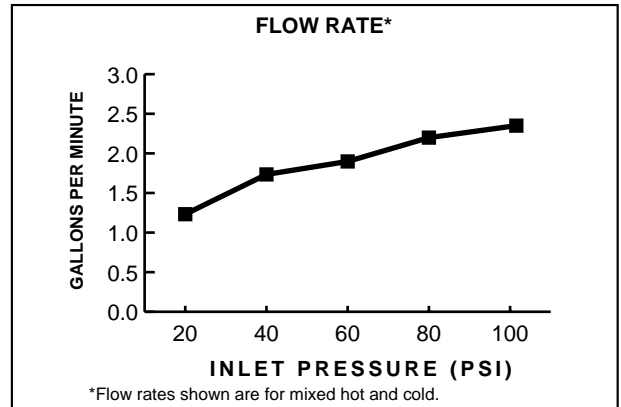


**TWO-HANDLE BAR SINK FAUCET
WITH BRASS GOOSENECK SPOUT**


CODES AND STANDARDS

These products meet or exceed the following codes and standards:

- ASME A112.18.1**
- CSA B 125**
- NSF 61/Section 9**



| Product Number | Description |
|----------------|---|
| 4223 | Bar Sink Faucet. Porcelain lever handles.Chrome finish. |
| 4223S | Bar Sink Faucet. Porcelain lever handles. Satin (PVD) finish. |

 Meets the American Disabilities Act Guidelines and **ANSI A117.1** Requirements for the physically challenged.