

**ACRYLUX 32" x 32" SHOWER KIT**

**Shower Kit With Walls:**

**3232Y1K.ST Shower Kit With Walls**

**Includes the following components:**

**Shower Base Features:**

- 3232Y1.ST Shower Base
- High-gloss acrylic-capped ABS with fiberglass reinforcement
- Single threshold with tiling flange

**Nominal Dimensions:**

31-7/8" x 31-5/8" x 5-1/8"  
(810 x 803 x 130mm)

**Door Features:**

- 3200Y1.STE5.213 Pivot Bath Door
- Tempered safety glass
- Silver Shine frame finish
- Rain privacy glass

**Nominal Dimensions:**

28-3/8" to 31-1/8" x 64-3/4"  
(721 to 791 x 1645mm)

**Wall Set Features:**

- 3232Y1.SW Bath Wall Set
- High-gloss acrylic-capped ABS with fiberglass reinforcement
- Mounts directly to studs
- Caulk-less installation

**Nominal Dimensions:**

32" x 32" x 70" tall  
(813 x 813 x 1778mm)

**Shower Kit Without Walls:**

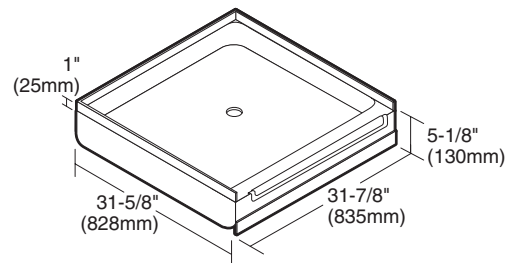
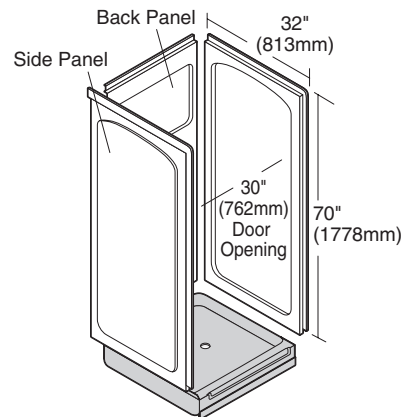
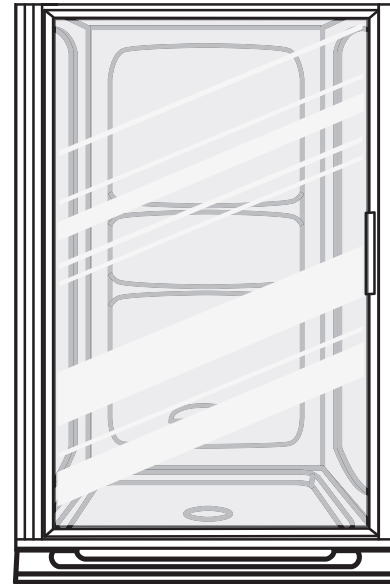
**3232Y1KB.ST Shower Kit Without Walls**

- Same as above but without wall set

**Compliance Certifications -**

**Meets or Exceeds the Following Specifications:**

- ANSI Z97 for Safety Glazing Materials
- ANSI Z124.1.2 for Plastic Bathtubs and Shower Units
- ASTM E162 for Flammability
- NFPA 258 for Smoke Density



**STUD LAYOUT**

