

*American Standard*

# HAMPTON

## BAR SINK FAUCETS with EverClean™ Finish

## Installation Instructions

2770.732 SERIES  
2770.712 SERIES  
2770.702 SERIES



Certified to comply with ANSI A112.18.1M  
U.S. Patent No. 5,819,789

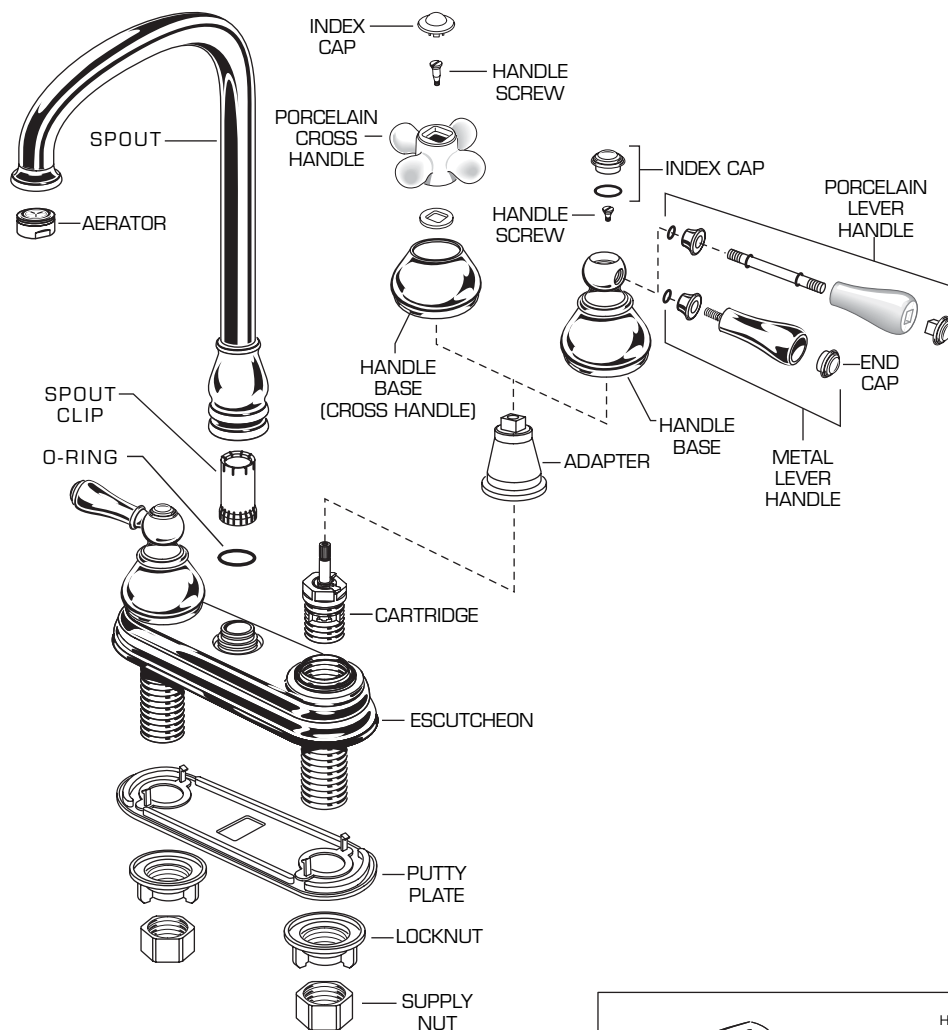
Congratulations on purchasing your American Standard faucet with EverClean finish found only on American Standard faucets.

### EverClean Finish

- One wipe effortlessly removes spots
- Eliminates the need for cleaners and scrubbing
- Permanent surface protectant remains beautiful for the life of the faucet
- EverClean™ available on: Polished Chrome, Satin Nickel, Stainless Steel, Polished Brass (or any combination of these finishes)

M968945 REV 1.1

**To ensure that your installation proceeds smoothly-please read these instructions carefully before you begin.**



#### HOT LINE FOR HELP

For toll-free information and answers to your questions, call:  
1-800-442-1902  
Weekdays 8:00 a.m. to 8:00 p.m. EST  
IN MEXICO 01-800-839-12-00  
IN CANADA 1-800-387-0369 (TORONTO 1-905-306-1093)  
Weekdays 8:00 a.m. to 7:00 p.m. EST

Product names listed herein are trademarks of American Standard Inc.  
© American Standard Inc. 1998

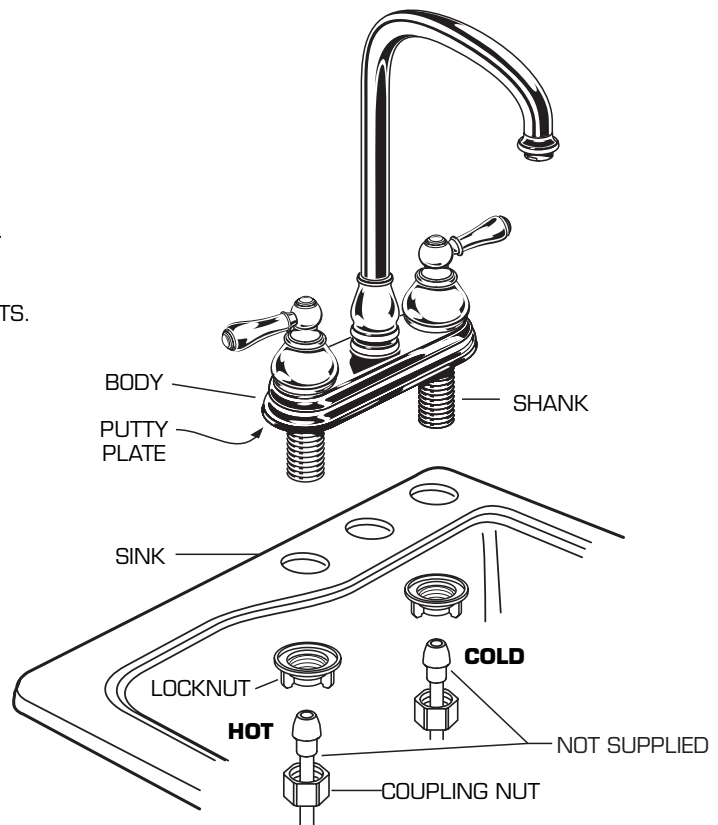
# 1

## INSTALL FAUCET

### CAUTION

Turn off hot and cold water supplies before beginning.

- Place faucet in position on sink.
- Assemble and tighten LOCKNUTS from underside of SINK.
- Connect the HOT water supply to the left SHANK and the COLD water supply to the right SHANK using appropriate connectors and sealant (not supplied), and COUPLING NUTS.



# 2

## TEST INSTALLED FAUCET

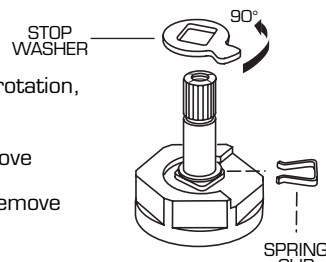
- Remove AERATOR.
- With handles in OFF position, turn on water supplies and check all connections for leaks.
- Operate both handles to flush water lines thoroughly.
- Turn handles into OFF position and replace AERATOR.

# 3

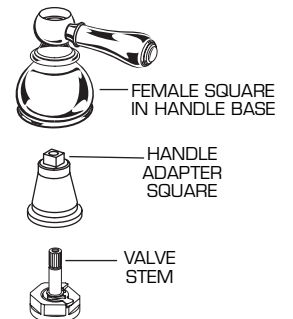
## SERVICE

- To change direction of handle rotation, proceed as follows:

- Turn valve to OFF position.
- Pull out INDEX CAP and remove HANDLE SCREW.
- Pull off HANDLE BASE and remove ADAPTER.
- Remove SPRING CLIP.
- Lift STOP WASHER, turn 90° and replace.
- Replace SPRING CLIP.
- Reinstall HANDLE.



- Handle alignment.
- Check alignment, if not satisfactory aligned;
- Push out ADAPTER carefully.
- Turn ADAPTER either 45° or 90° so that male square on ADAPTER catches different female square in HANDLE BASE.
- Assemble and tighten MOUNTING SCREW.
- Push INDEX CAP in top of HANDLE.



- AERATOR may accumulate dirt causing distorted and reduced water flow. Remove AERATOR and rinse clean.
- If spout drips, operate handles several times from OFF to ON position. Do not force - handles turn only 90°.

# 4

## EverClean™ Finish Care Instructions

**American Standard's EverClean finish will wipe clean with a soft, dry cloth. A soft cloth with clean water may also be used, if desired. No additional cleaning products are required.**

**DO NOT USE: Soaps, acid, polish, abrasives, harsh cleaners, or a cloth with a coarse surface.**