

**ELLISSE OVAL™ WHIRLPOOL & BATHING POOL**

**2709.028WC Whirlpool featuring System II**

- Acrylic with fiberglass reinforcement
- Pre-leveled tub bottom
- Factory installed power cord and plug
- Six multi-directional and flow-adjustable body massage jets
- Deck-mounted air switch On/Off
- Two silent air volume controls
- Quick Connect Safe-T-Heater connection system
- Factory installed and tested whirlpool system
- 2.1 HP, two speed self-draining pump/motor with dry run seal and Pulse feature
- Deck-mounted electronic On/Off with 20 minute built-in timed safety shut off and chrome bezel
- EverClean™ whirlpool system

**2709.028WC.K2 Whirlpool Massage with Chromatherapy**

Same as 2709.018WC but also includes:

- Two digitally controlled lights
- Electronic control with color selector and color cycle function

**2709.002 Bathing Pool only**

**Nominal Dimensions:**

1759 x 978 x 502mm  
(69-1/4" x 38-1/2" x 19-3/4")

**Compliance Certifications -**

**Meets or Exceeds the Following Specifications:**

- Underwriters Laboratories - Hydromassage Bathtubs UL 1795
- ASME A112.19.7M for Whirlpool Appliances
- ANSI Z124.1 for Plastic Bathtubs
- ASTM E162 for Flammability
- NFPA 258 for Smoke Density

The EverClean™ antimicrobial system incorporates AlphaSan®, a patented antimicrobial agent manufactured right into the circulation system components, which suppresses the growth of unsightly algae, fungus, mold and mildew.

SEE REVERSE FOR ROUGHING-IN DIMENSIONS AND PRODUCT SPECIFICATIONS



**To Be Specified - Required:**

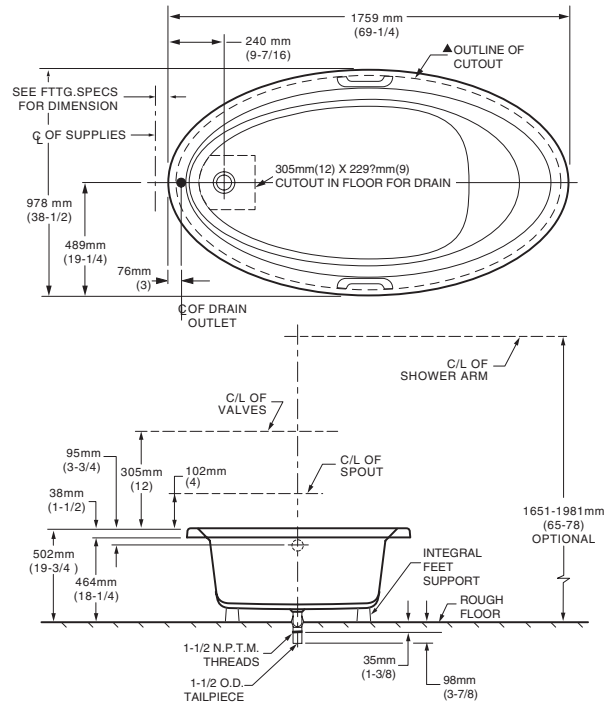
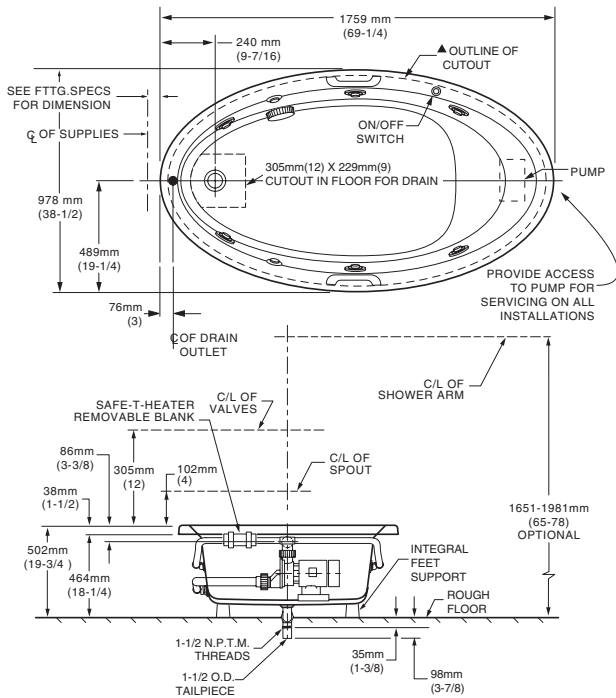
- Color:
- Bath Filler: (specify finish)
- Bath Drain: 1583.470 (specify finish)
- Grab Bar Kit: 9827-200-two per kit (specify finish)

**To Be Specified - Optional:**

- Safe-T-Heater\*: 9075.120
- Jet Trim Ring Kit: 9860.200-two per kit (specify color)
- System II Control Bezel: 9861.100 (specify finish)

For color/finish availability and other faucet choices, please see the Product Selector and Pricing Guide.

\* **NOTE:** the Safe-T-Heater is designed to maintain water temperature during operation. It will not heat cold water to desired bathing temperature.



**GENERAL SPECIFICATIONS FOR 2709 WHIRLPOOL**

INSTALLED SIZE	69-1/4 x 38-1/2 x 19-3/4 In. (1759 x 978 x 502mm)
WEIGHT	107 Lbs. (49 Kg.)
WEIGHT w/WATER	640 Lbs. (291 Kg.)
GAL. TO OVERFLOW	64 Gal. (243 L)
WHIRLPOOL MIN. OPERATING VOL.	53 Gal. (201 L)
BATHING WELL AT SUMP	45 x 23 In. (1143 x 584mm)
BATHING WELL AT RIM	63 x 32 In. (1600 x 813mm)
WATER DEPTH TO OVERFLOW	13 In. (330mm)
FLOOR LOADING (PROJECTED AREA)	35 Lbs./Sq.Ft. (166 Kgs./Sq.m)
PTS.	25.6
CUBE (FT <sup>3</sup> )	49.4
<b>WHIRLPOOL ELECTRICAL SPECIFICATIONS</b>	
SYSTEM II PUMP	2.1 HP, 15.6 AMPS, 120V.

**GENERAL SPECIFICATIONS FOR 2709 BATHING POOL**

INSTALLED SIZE	69-1/4 x 38-1/2 x 19-3/4 In. (1759 x 978 x 502mm)
WEIGHT	77 Lbs. (35 Kg.)
WEIGHT w/WATER	611 Lbs. (275 Kg.)
GAL. TO OVERFLOW	64 Gal. (243 L)
BATHING WELL AT SUMP	45 X 23 In. (1143 x 584mm)
BATHING WELL AT RIM	63 x 32 In. (1600 x 813mm)
WATER DEPTH TO OVERFLOW	13 In. (330mm)
FLOOR LOADING (PROJECTED AREA)	34 Lbs./Sq.Ft. (165 Kgs./Sq.m)
PTS.	25.6
CUBE (FT <sup>3</sup> )	49.4

**NOTES:**

BATH CAN BE INSTALLED EITHER ABOVE OR BELOW FLOOR LINE AS PIER, ISLAND OR PENINSULA TYPE INSTALLATION. SUPPORT OF BATH BY INTEGRAL FEET. NO ADDITIONAL SUPPORT IS REQUIRED. SUPPORT AND ENCLOSING MATERIAL BY OTHERS.

REFER TO INSTALLATION INSTRUCTIONS SUPPLIED WITH WHIRLPOOL FOR ADDITIONAL INFORMATION.

▲ CUTOUT TEMPLATE PROVIDED IN SHIPPING BOX. MAY BE REQUESTED SEPARATELY.

FITTINGS NOT INCLUDED AND MUST BE ORDERED SEPARATELY.

PROVIDE SUITABLE REINFORCEMENT FOR ALL SUPPORTS.

**ON SYSTEM II:** CONTROL MODULE TO BE MOUNTED BEHIND ACCESS PANEL, A MINIMUM OF 152mm (6) ABOVE ROUGH FLOOR.

**IMPORTANT:** Dimensions of fixtures are nominal and may vary within the range of tolerances established by ANSI Standard Z124.1 / CSA Certified. These measurements are subject to change or cancellation. No responsibility is assumed for use of superseded or voided leaflet.