

*American Standard*

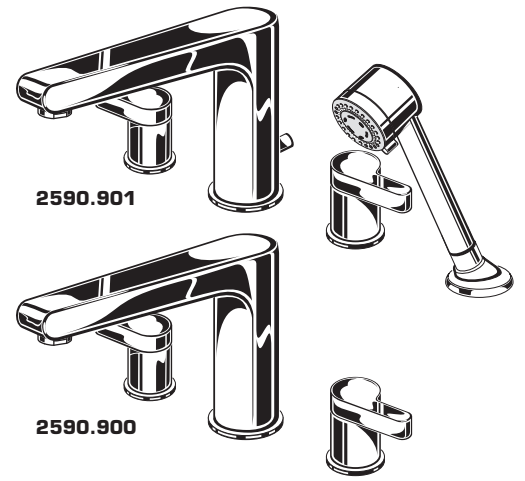
# Installation Instructions

## 2590.90X

### STUDIO DECK MOUNT BATH FILLER

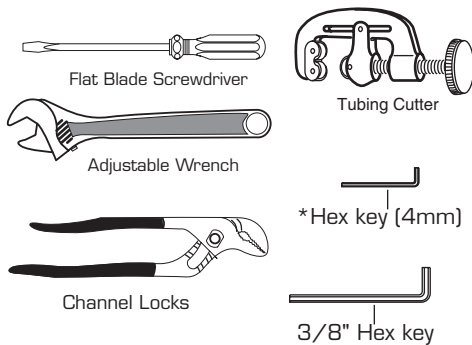
Thank you for selecting American-Standard...  
the benchmark of fine quality for over 100 years.

To ensure that your installation proceeds smoothly...  
please read these instructions carefully before you begin.



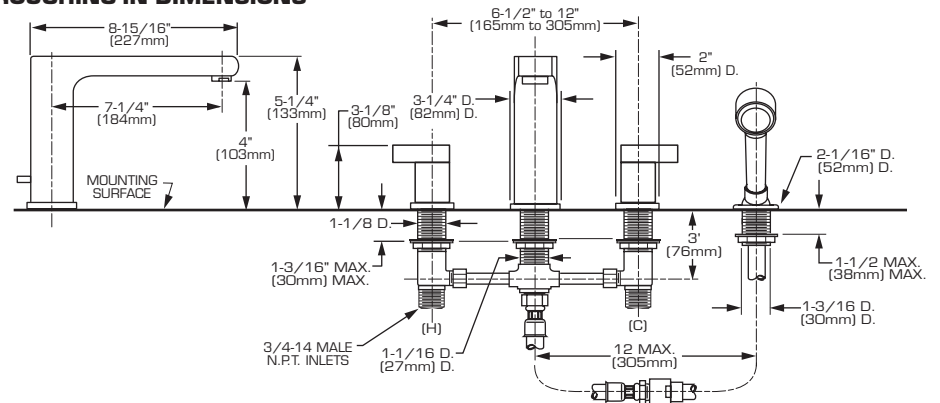
Certified to comply with ANSI A112.18.1M  
M968627 Rev.1.2

#### Recommended Tools



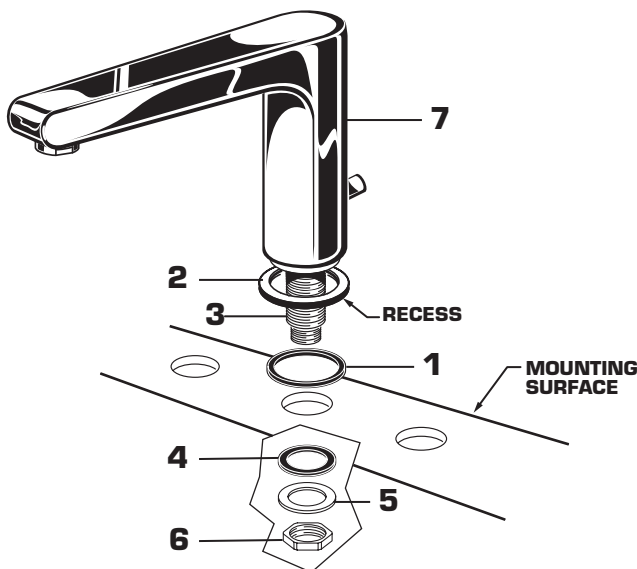
\*Supplied with Fitting

#### ROUGHING-IN DIMENSIONS



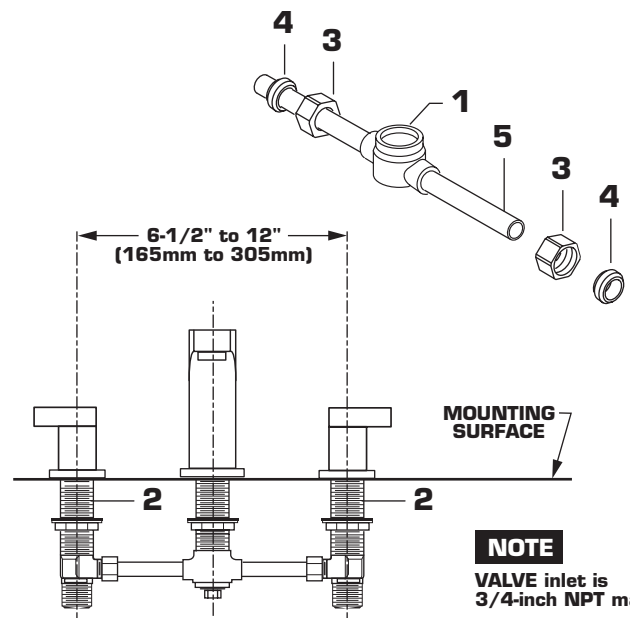
## 1 SPOUT ASSEMBLY **CAUTION** Turn off hot and cold water supplies before beginning.

- Install RUBBER RING (1) into ESCUTCHEON RING (2) and place over mounting hole.
- Insert SPOUT SHANK (3) through center hole of MOUNTING LEDGE. Make sure that the RUBBER RING (1) is properly seated in RECESS of ESCUTCHEON RING (2).
- Assemble RUBBER WASHER (4) and BRASS WASHER (5) onto SHANK (3). From underside of ledge secure SPOUT (7) into position with LOCKNUT (6).



## 2 PREPARE TUBE AND TEE ASSEMBLY

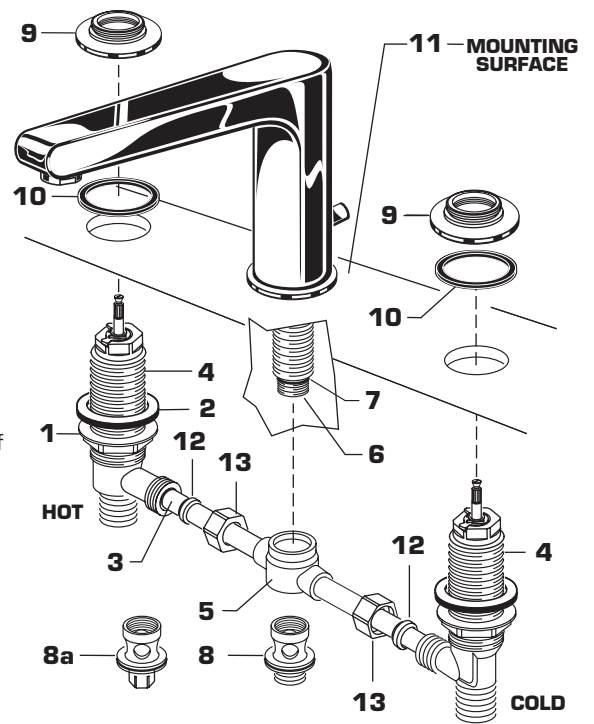
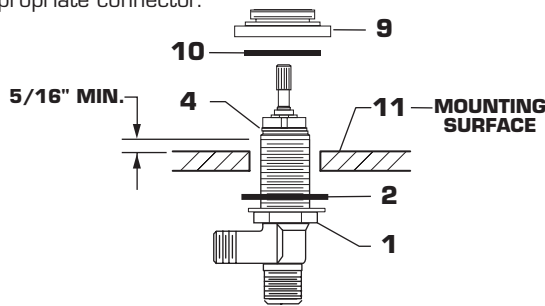
- Prepare TUBE and TEE ASSEMBLY (1) to fit center to center VALVE (2) location (between 6-1/2" and 12"). If necessary, cut and/or bend TUBING carefully. Make sure tube bend is close to the TEE (1) so that it will not effect the compression joint at the VALVE CONNECTION.
- Remove COUPLING NUT (3) and FERRULE (4) from each VALVE (2) and slide onto TUBING (5).



**NOTE**  
VALVE inlet is  
3/4-inch NPT male.

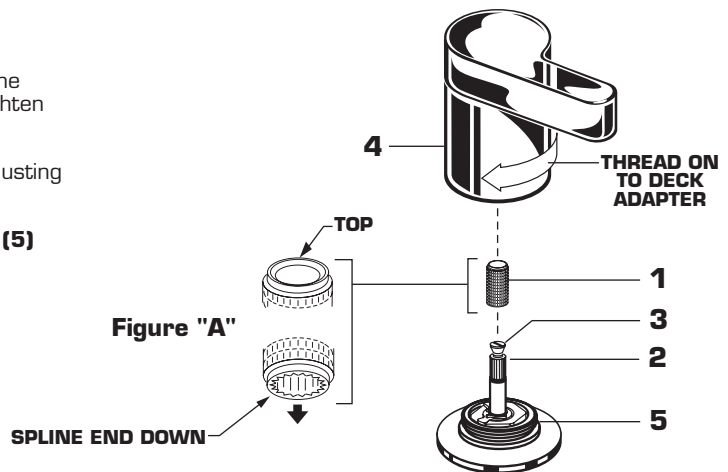
### 3 VALVE ASSEMBLY

- Install LOCKNUTS (1) and RUBBER WASHERS (2) onto valve shanks.
- Push TUBING (3) ends into VALVE (4) side outlets. Insert VALVES (4) into mounting holes from underside of ledge.
- Press TEE (5) onto SPOUT SHANK (6) making certain that the O-RING (7) is properly seated on SHANK (6). Push COUPLING (8) into TEE (5) and attach to SPOUT SHANK (6) and tighten using a 10mm (3/8") hex wrench. Tighten COUPLING (8) using a 10mm (3/8") Hex wrench. (FOR 2590.901). Use COUPLING (8a) for fitting less spray (FOR 2590.900).
- Thread of VALVE BODY (4) should extend at least 5/16 inch above MOUNTING SURFACE (11). If necessary, adjust LOCKNUT (1).
- Place RUBBER RING (10) into ESCUTCHEON ADAPTERS (9) and thread onto valves until snug against internal stop.
- Tighten LOCKNUT (1) with channel lock to secure VALVE (4) position.
- Slide FERRULE (12) and COUPLING NUT (13) to outlet of VALVE (4) and tighten COUPLING NUT (13) firmly.
- Connect HOT water supply to inlet of left VALVE and COLD water supply to inlet of right VALVE using appropriate connector.



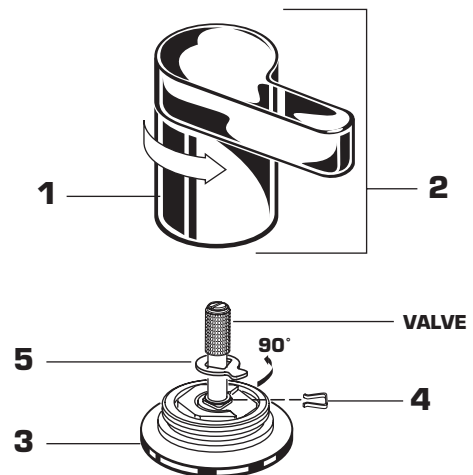
### 4 INSTALL HANDLES

- Push ADAPTER (1) on VALVE STEM (2), so that the hole of the ADAPTER (1) without a spline is facing up. See figure "A". Tighten STEM SCREW (3) to secure ADAPTER (1).
- Find correct position of LEVER HANDLE ASSEMBLY (4) by adjusting male teeth on ADAPTER (1) to female teeth in HANDLE (4).
- Thread LEVER HANDLE ASSEMBLY (4) onto DECK ADAPTER (5) until snug against mounting surface.



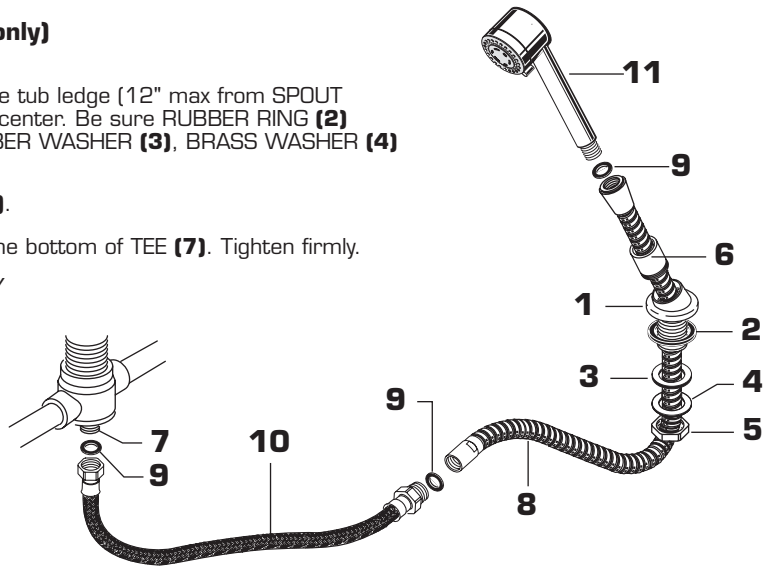
### 5 SERVICE

- To change direction of handle rotation, proceed as follows:
  - Turn valve to OFF position.
  - Thread counter-clock wise HANDLE BASE (1) to remove HANDLE ASSEMBLY (2) from ESCUTCHEON BASE (3).
  - Use a flat blade screw driver to remove SPRING CLIP (4).
  - Lift STOP WASHER (5), turn 90° and replace.
  - Replace SPRING CLIP (4).
  - Reinstall HANDLE ASSEMBLY (2).
- If spout drips, operate handles several times from OFF to ON position. Do not force - handles turn only 90°.



## 6 HANDSHOWER INSTALLATION (For 2590.901 only)

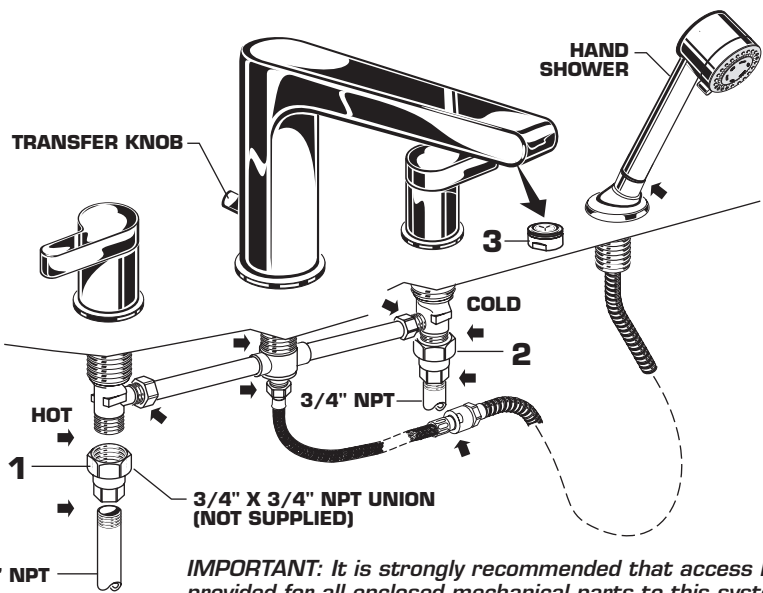
- Drop SPRAY ESCUTCHEON (1) through the fourth hole of the tub ledge (12" max from SPOUT center) with SPRAY ESCUTCHEON (1) directed towards tub center. Be sure RUBBER RING (2) is properly seated in SPRAY ESCUTCHEON (1). Install RUBBER WASHER (3), BRASS WASHER (4) and LOCKNUT (5) from underside of ledge.
- Secure SPRAY ESCUTCHEON (1) by tightening LOCKNUT (5).
- Install SEAL (9) and connect HOSE (10) to outlet nipple at the bottom of TEE (7). Tighten firmly.
- Slip SHOWER HOSE (8) with COUPLING NUT through SPRAY HOLDER (6) and SPRAY ESCUTCHEON (1). *Note: SPRAY HOLDER (6) must be separate from ESCUTCHEON (1) to pass HOSE (8) through ESCUTCHEON (1)*
- Insert SEAL (9) into SHOWER HOSE (8). Connect HOSE (8) to HOSE (10).
- Install SEAL (9) and connect HAND SHOWER (11) to SPRAY HOSE (8).



**NOTE** When not in use, HANDSHOWER should be seated in the HOLDER.

## 7 MAKE WATER SUPPLY CONNECTIONS

- Connect HOT water supply to LEFT INLET UNION (1) and COLD water supply to RIGHT INLET UNION (2). Pipe connections are 3/4" NPT. Use sealant or Teflon tape on pipe connections. *Do not solder directly to valve body.*



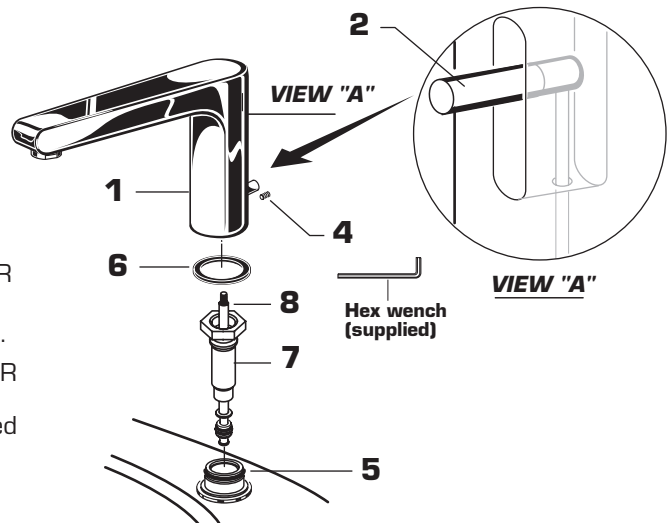
**IMPORTANT:** It is strongly recommended that access be provided for all enclosed mechanical parts to this system.

### 7a TEST INSTALLED FAUCET

- With HANDLES in OFF position, turn on WATER SUPPLIES and check all connections for leaks. ➔
- Remove STREAM STRAIGHTENER (3).
- Operate both HANDLES to flush water lines thoroughly. Replace STREAM STRAIGHTENER (3).
- Lift HAND SHOWER from HOLDER, direct spray into tub. Lift TRANSFER KNOB to check HAND SHOWER and HOSES for leaks. ➔
- Turn handles "off" and replace HAND SHOWER.

## 8 Before the bathroom is completely finished, you may want to remove spout, handshower, and handles to avoid damage during construction.

- To remove handles, reverse steps in section 4.
- To remove SPOUT (1), proceed as follows:
  - Unthread LIFT ROD KNOB (2) and remove.
  - Remove and remove SET SCREW (4) using 4mm hex wrench supplied.
  - Lift SPOUT (1) off SHANK (5) carefully and remove RUBBER RING (6).
  - Unthread SHANK SLEEVE (7) and remove from SHANK (5).
  - Reverse sequence to re-install SPOUT (1). Be sure RUBBER RING (6) is properly seated in its recess at the base of the SPOUT (1). Make certain SET SCREW (4) is properly aligned and tight so that SPOUT (1) is locked in place.



## 9 CARE INSTRUCTIONS:

**DO: SIMPLY RINSE THE PRODUCT CLEAN WITH CLEAR WATER. DRY WITH A SOFT COTTON FLANNEL CLOTH.**  
**DO NOT: DO NOT CLEAN THE PRODUCT WITH SOAPS, ACID, POLISH, ABRASIVES, HARSH CLEANERS, OR A CLOTH WITH A COARSE SURFACE.**