

STUDIO CADET® 3 RIGHT HEIGHT™ ELONGATED TOILET

2589.016

- Vitreous china
- EverClean® surface inhibits the growth of stain- and odor-causing bacteria, mold, and mildew on the surface
- Low-consumption (6.0 Lpf/1.6 gpf)
- 16-1/2" rim height for accessible application
- Features the **Cadet® 3 Flushing System**
- Elongated siphon action jetted bowl
- Fully-glazed 2-1/8" trapway with 2" ball pass
- Generous 9" x 8" water surface area
- Close-coupled tank with flat tank cover for superior storage
- Oversized 3" flush valve with chemical resistant flapper
- Chrome trip lever
- Speed Connect® tank-to-bowl coupling system
- Sanitary dam on bowl with four point tank stabilization
- 2 color-matched bolt caps
- 100% factory flush tested
- 5 year warranty

3016.016 Right Height™ Elongated Bowl

3016.001 Right Height™ Elongated Universal Bowl

4202.016 Tank

Nominal Dimensions:

767 x 456 x 767mm (30-1/4" x 18" x 30-1/4")

Fixture only, seat and supply by others

Alternate Tank Configurations Available:

- 4202.500 Tank complete with Aquaguard Liner

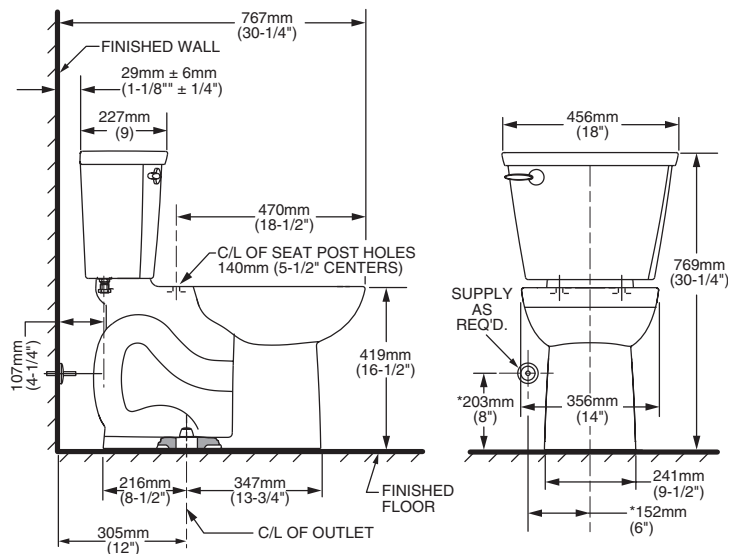
Compliance Certifications -

Meets or Exceeds the Following Specifications:

- ASME A112.19.2-2008/CSA B45.1-08 for Vitreous China Fixtures

To Be Specified:

- Color: White Bone Linen Black
- Seat: #5325.010 Elongated Champion® Slow Close solid plastic seat and cover with easy lift off feature
- Seat: #5284.016 Elongated EverClean® anti-microbial solid plastic seat and cover
- Seat: #5321.110 EverClean® Elongated Seat with Slow Close Snap-Off Hinges
- Supply with stop:



NOTES:

THIS TOILET IS DESIGNED TO ROUGH-IN AT A MINIMUM DIMENSION OF 305MM (12") FROM FINISHED WALL TO C/L OF OUTLET. SUPPLY NOT INCLUDED WITH FIXTURE AND MUST BE ORDERED SEPARATELY. * DIMENSION SHOWN FOR LOCATION OF SUPPLY IS SUGGESTED.

IMPORTANT: Dimensions of fixtures are nominal and may vary within the range of tolerances established by ANSI Standard A112.19.2. These measurements are subject to change or cancellation. No responsibility is assumed for use of superseded or voided pages.



MEETS THE AMERICANS WITH DISABILITIES ACT GUIDELINES AND ANSI A117.1 REQUIREMENTS FOR ACCESSIBLE AND USABLE BUILDING FACILITIES-CHECK LOCAL CODES.

CADET® 3
Flushing System