

**STUDIO CADET® 3 RIGHT HEIGHT™  
ROUND FRONT TOILET**

- 2579.016**
  - Vitreous china
  - EverClean® surface inhibits the growth of stain- and odor-causing bacteria, mold, and mildew on the surface
  - Low-consumption (6.0 Lpf/1.6 gpf)
  - Features the **Cadet® 3 Flushing System**
  - 16-1/2" rim height for accessible applications
  - Space saving round front siphon action jetted bowl
  - Fully-glazed 2-1/8" trapway with 2" ball pass
  - Generous 9" x 8" water surface area
  - Close-coupled tank with flat tank cover for superior storage
  - Oversized 3" flush valve with chemical resistant flapper
  - Chrome trip lever
  - Speed Connect® tank-to-bowl coupling system
  - Sanitary dam on bowl with four point tank stabilization
  - 2 color-matched bolt caps
  - 100% factory flush tested
  - 5 year warranty

- 3005.016** Right Height™ Round Front Bowl
- 3005.001** Right Height™ Round Front Universal Bowl
- 4202.016** Tank

**Nominal Dimensions:**  
717 x 456 x 769mm (28-1/4" x 18" x 30-1/4")  
Fixture only, seat and supply by others

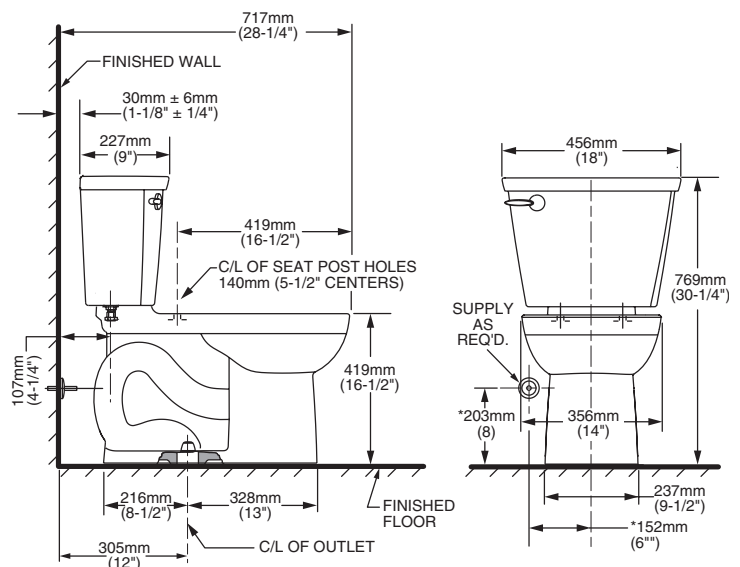
**Alternate Tank Configurations Available:**  
 **4202.500** Tank complete with Aquaguard Liner

**Compliance Certifications -  
Meets or Exceeds the Following Specifications:**

- ASME A112.19.2-2008/CSA B45.1-08 for Vitreous China Fixtures

**To Be Specified:**

- Color:  White  Bone  Linen  Black
- Seat: #5330.010 Round front Champion® Slow Close solid plastic seat and cover with easy lift off feature
- Seat: #5282.011 Round Front EverClean® solid plastic seat and cover
- Seat: #5320.110 EverClean® Round Front Seat with Slow Close Snap-Off Hinges
- Supply with stop:



**NOTES:**  
THIS TOILET IS DESIGNED TO ROUGH-IN AT A MINIMUM DIMENSION OF 305MM (12") FROM FINISHED WALL TO C/L OF OUTLET. SUPPLY NOT INCLUDED WITH FIXTURE AND MUST BE ORDERED SEPARATELY.  
\* DIMENSION SHOWN FOR LOCATION OF SUPPLY IS SUGGESTED.

**IMPORTANT:** Dimensions of fixtures are nominal and may vary within the range of tolerances established by ANSI Standard A112.19.2. These measurements are subject to change or cancellation. No responsibility is assumed for use of superseded or voided pages.



**MEETS THE AMERICANS WITH DISABILITIES ACT GUIDELINES AND ANSI A117.1 REQUIREMENTS FOR ACCESSIBLE AND USABLE BUILDING FACILITIES-CHECK LOCAL CODES.**

**CADET® 3**  
Flushing System