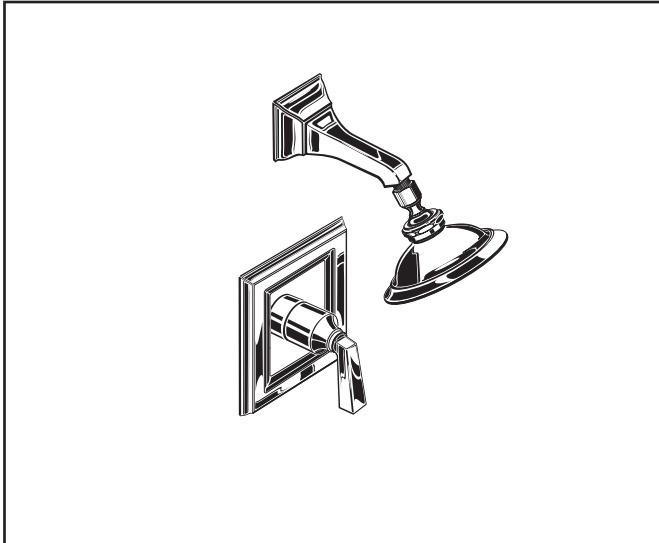


American Standard

Town Square PRESSURE BALANCE SHOWER ONLY FITTING



2555.501

GENERAL DESCRIPTION:

Cast brass valve body. Washerless 47mm ceramic disc valve cartridge cycles from "Off" to "Cold" to "Hot". Hot limit safety stop. Pressure balancing cartridge maintains constant output temperature in response to changes in relative hot and cold supply pressures. 1/2" NPT threaded inlets/outlets with screwdriver stops. 4-1/2" easy clean "Rain" showerhead has 2.5gpm/9.5L/min. flow restrictor. Cast brass shower arm. Durable brass wall escutcheon. Metal lever handle. Rough-in plaster guard designed for use as thin-wall mounting adaptor.

PRODUCT FEATURES:

Solid Brass Construction: Durable, ideal material for prolonged contact with water.

Ceramic Disc Valve Cartridge: Assures a lifetime of drip-free performance.

Pressure Balancing Valve: Maintains output temperature in response to changes in relative hot and cold supply pressure. Diaphragm system engineered to eliminate cross flow and spool "thumping". Avoids failure due to mineral deposits - ideal for use with hard water.

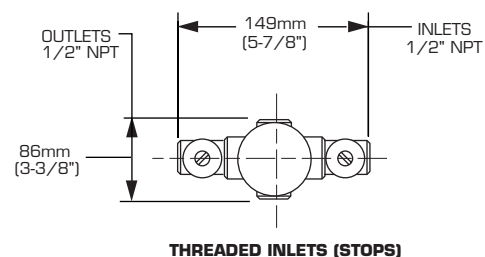
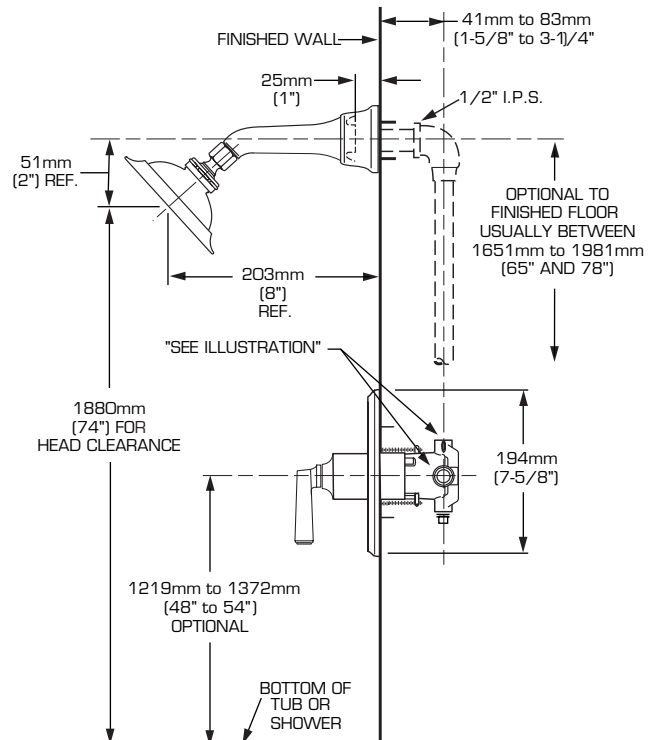
Adjustable Hot Limit Safety Stop: Limits the amount of hot water allowed to mix with cold. Reduces the risk of accidental scalding.

Integral Plaster Guard and Mounting Plate: Plaster guard designed to protect valve during installation and to serve as a mounting plate for thin wall installations.

Choice of Finishes: Available in Polished Chrome, Polished Brass (PVD) and Satin(PVD).

MODEL NUMBER:

- 2555.501 Pressure Balance Shower Only "Rain" showerhead.



SUGGESTED SPECIFICATION:

Bath/shower fitting shall be cast brass construction with all brass spout and showerhead. Shall also feature washerless ceramic disc valve cartridge which allows user to control both water temperature and volume. Fitting shall be equipped with a pressure balancing mechanism and hot limit safety stop. Fitting shall be American Standard Model # 2555.501._____.