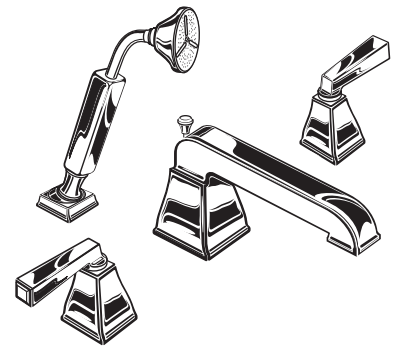


American Standard

TOWNSQUARE DECK-MOUNT BATH FILLER

Installation Instructions

2555.900
2555.901



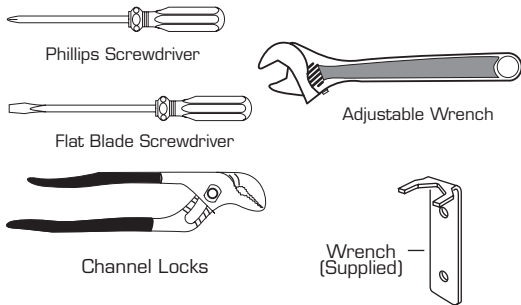
Thank you for selecting American-Standard...the benchmark of fine quality for over 100 years.

To ensure that your installation proceeds smoothly—please read these instructions carefully before you begin.

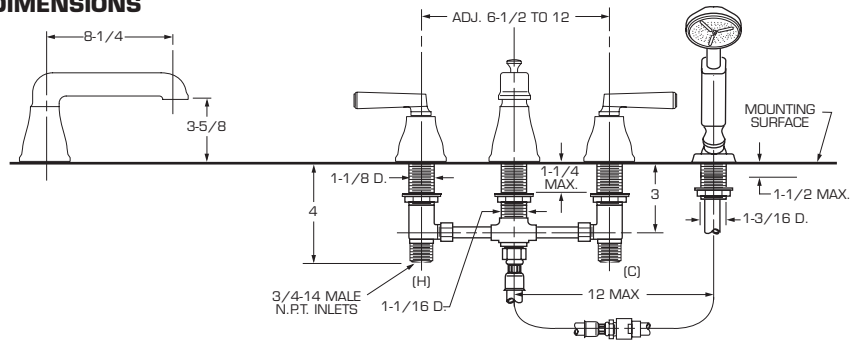
Certified to comply with ANSI A112.18.1M

M968788 Rev. 1.2

Required Tools



ROUGHING-IN DIMENSIONS

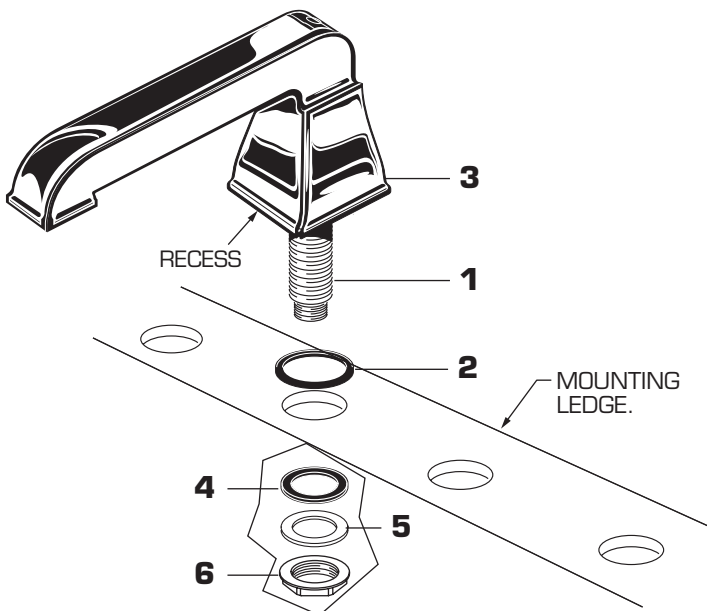


1 SPOUT ASSEMBLY

CAUTION

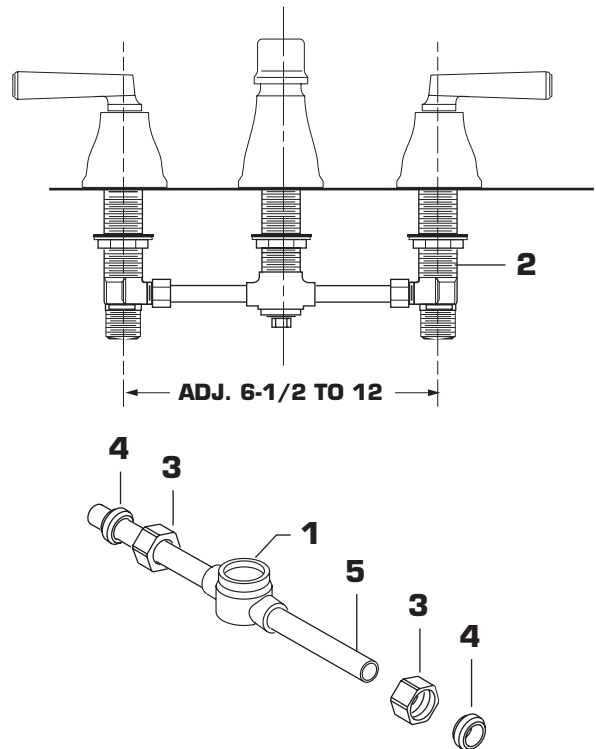
Turn off hot and cold water supplies before beginning.

- Insert SPOUT SHANK (1) through center hole of MOUNTING LEDGE. Make sure that the RUBBER RING (2) is properly seated in RECESS at base of SPOUT (3).
- Assemble RUBBER WASHER (4) and BRASS WASHER (5) onto SHANK (1). From underside of ledge secure SPOUT (3) into position with LOCKNUT (6).



2 PREPARE TUBE AND TEE ASSEMBLY

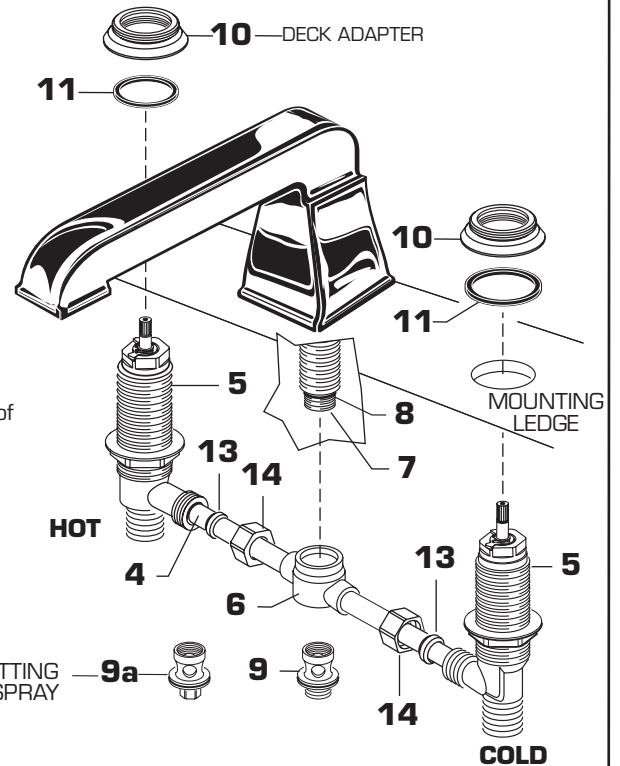
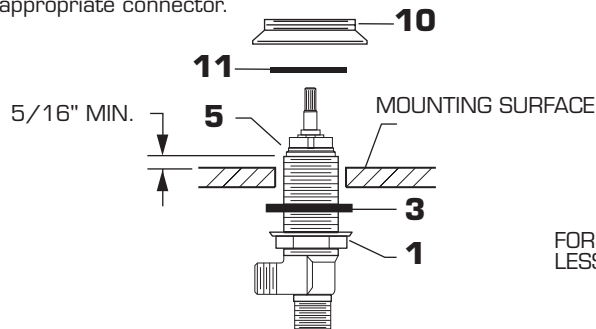
- Prepare TUBE and TEE ASSEMBLY (1) to fit center to center VALVE (2) location (between 6-1/2" and 12"). If necessary, cut and/or bend TUBING carefully. Make sure tube bend is close to the TEE (1) so that it will not effect the compression joint at the VALVE CONNECTION.
- Remove COUPLING NUT (3) and FERRULE (4) from each VALVE (2) and slide onto TUBING (5).



NOTE VALVE inlet is 3/4-inch NPT male connector.

3 VALVE ASSEMBLY

- Install LOCKNUTS (1) and RUBBER WASHERS (3) onto valve shanks.
- Push TUBING (4) ends into VALVE (5) side outlets. Insert VALVES (5) into mounting holes from underside of ledge.
- Press TEE (6) onto SPOUT SHANK (7) making certain that the O-RING (8) is properly seated on SHANK (7). Push COUPLING (9 or 9a) into TEE (6) and attach to SPOUT SHANK (7) and tighten. **Note: For product with Hand Shower, COUPLING (9) is tightened using a 10mm (3/8") Hex Wrench.**
- Place RUBBER RING (11) into DECK ADAPTERS (10) and thread onto valves until snug against internal stop.
- Tighten LOCKNUT (1) to secure VALVE (5) position.
- Slide FERRULE (13) and COUPLING NUT (14) to outlet of VALVE (5) and tighten COUPLING NUT (14) firmly.
- Connect HOT water supply to inlet of left VALVE and COLD water supply to inlet of right VALVE using appropriate connector.



4 INSTALL HANDLES

- Turn VALVE to OFF position.
- **Figure A:** Install STEM ADAPTERS (7) onto VALVE STEMS (8).
- **Figure B:** With colored side up, place FRICTION RING (6) over DECK ADAPTER (10). Loosely screw FRICTION NUT (5) onto DECK ADAPTER (10). Do not tighten. Align flats on FRICTION NUT (5) with RIBS (9) in HANDLE BASE (4).
- **Figure C:** Screw HANDLE BASE (4) with FRICTION NUT (5) onto DECK ADAPTER (10) until snug against mounting surface and aligned properly.
- **Figure D:** Install LEVER HANDLE (3) onto HANDLE ADAPTER (7) and align. Check alignment, if not satisfactory remove and align. Insert HANDLE SCREW (2) and tighten. Press in INDEX BUTTON (1).

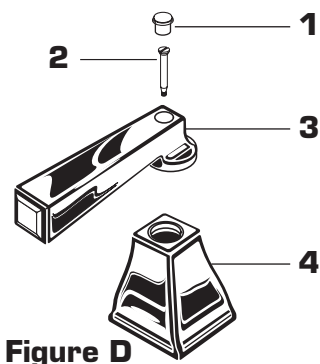


Figure D

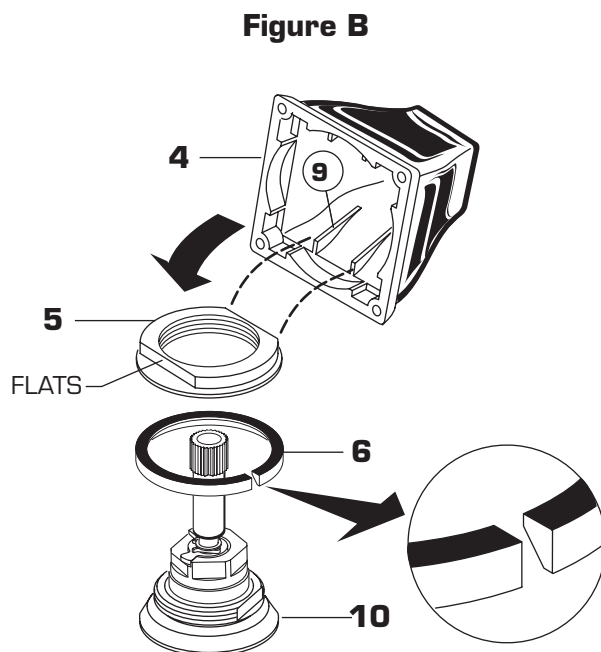


Figure B

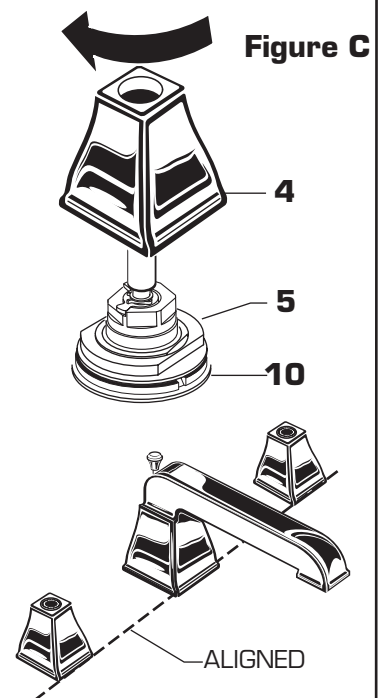


Figure C

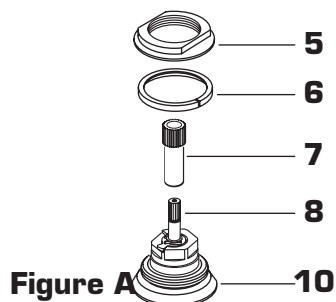
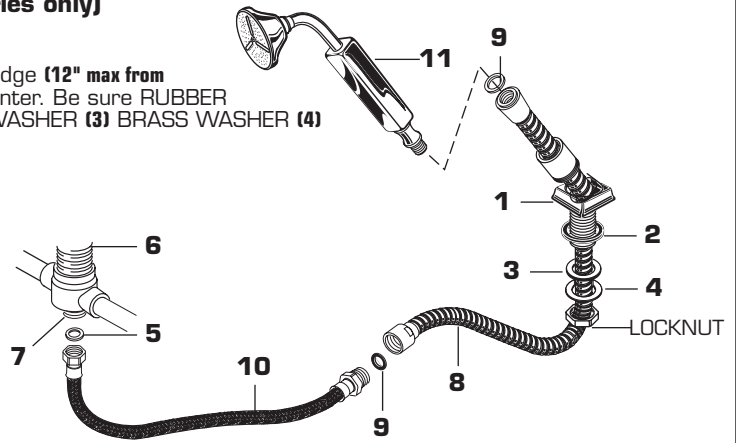


Figure A

5 HANDSHOWER INSTALLATION (Model 2555.901 series only)

- Drop SPRAY ESCUTCHEON (1) through the fourth hole of the tub ledge (12" max from SPOUT center) with SPRAY ESCUTCHEON (1) directed towards tub center. Be sure RUBBER RING (2) is properly seated in ESCUTCHEON (1). Install RUBBER WASHER (3) BRASS WASHER (4) and LOCKNUT from underside of ledge.
- Secure SPRAY ESCUTCHEON (1) by tightening LOCKNUT.
- Add SEAL WASHER (5) and connect HOSE (10) to outlet nipple at the bottom of COUPLING (7). Tighten firmly.
- Slip SHOWER HOSE (8) with COUPLING NUT through SPRAY ESCUTCHEON (1). Install SEAL (9) and connect both HOSES (8) and (10), Connect HAND SHOWER (11) to SPRAY HOSE (8).

NOTE When not in use, HANDSHOWER should be seated in the HOLDER.



6 TEST INSTALLED FAUCET

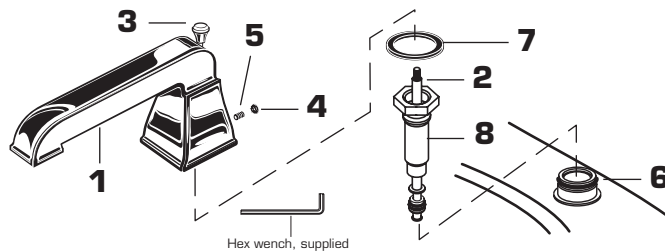
- Turn VALVES "off" and attach handles.
- With handles in "off" position, turn on water supplies and check all connections for leaks.
- Operate both handles and flush water lines thoroughly.
- Check SPOUT mounting for leaks.

CAUTION

The flow rate of this Tub Filler exceeds 20 gallons/minute at higher water pressure. Do not fill bathtub unattended.

- Lift HANDSHOWER from HOLDER, direct spray into tub, lift TRANSFER KNOB to check HANDSHOWER and HOSES for leaks.
- Turn handles "off."

7 Before the bathroom is completely finished, you may want to remove spout, handshower, and handles.

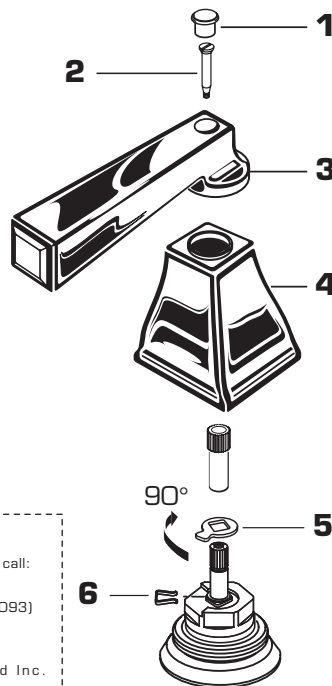


- To remove handles, reverse steps in section 4.
- To remove SPOUT (1), proceed as follows:
 - Lift TRANSFER ROD (2) and unscrew KNOB (3). (Model 2555.901 only).
 - Remove PLUG BUTTON (4) and remove SET SCREW (5) using 5mm hex wrench supplied.
 - Lift SPOUT (1) off SHANK (6) carefully and remove RUBBER RING (7).
 - Unscrew SHANK SLEEVE (8) and lift TRANSFER ROD (2) from SHANK (6). (Model 2555.901 only).
 - Reverse sequence to re-install SPOUT (1). Be sure RUBBER RING (7) is properly seated in its recess at the base of the SPOUT (1). Make certain SET SCREW (5) is properly aligned and tight so that SPOUT (1) is locked in place.

8 SERVICE

- To change direction of handle rotation, proceed as follows:
 - Turn valve to OFF position.
 - Pull out INDEX CAP (1) and remove HANDLE SCREW (2).
 - Pull off HANDLE (3) and unscrew ESCUTCHEON BASE (4).
 - Remove SPRING CLIP (6).
 - Lift STOP WASHER (5), turn 90° and replace.
 - Replace SPRING CLIP (6).
 - Reinstall ESCUTCHEON (4) and HANDLE ASSEMBLY.

- If spout drips, operate handles several times from OFF to ON position. Do not force - handles turn only 90°.



9 CARE INSTRUCTIONS:

DO: SIMPLY RINSE THE PRODUCT CLEAN WITH CLEAR WATER. DRY WITH A SOFT COTTON FLANNEL CLOTH.

DO NOT: DO NOT CLEAN THE PRODUCT WITH SOAPS, ACID, POLISH, ABRASIVES, HARSH CLEANERS, OR A CLOTH WITH A COARSE SURFACE.

HOT LINE FOR HELP

For toll-free information and answers to your questions, call:
 1-800-442-1902
 Weekdays 8:00 a.m. to 6:00 p.m. EST
 IN CANADA 1-800-387-0369 (TORONTO 1-905-306-1093)
 Weekdays 8:00 a.m. to 7:00 p.m. EST
 IN MEXICO 01-800-839-1200

