

**SAVONA™ ELONGATED
EASY-CLEAN™ ONE-PIECE TOILET**

2097.014

- Vitreous china
- Low-consumption (6.0 Lpf/1.6 gpf)
- Elongated siphon action bowl with smooth-sided, concealed trapway
- Sleek one-piece Easy-Clean™ design eliminates crevices and squared corners
- Rim height at 381mm (15")
- Fitted tank cover
- Color-matched trip lever
- 2 bolt caps
- Includes color-matched solid plastic comfort toilet seat (5349.019) with concealed seat ring and finger lift feature and Rise and Shine™ easy-to-clean, lift-off hinge system
- Internal trapway area fully glazed
- 100% factory flush tested

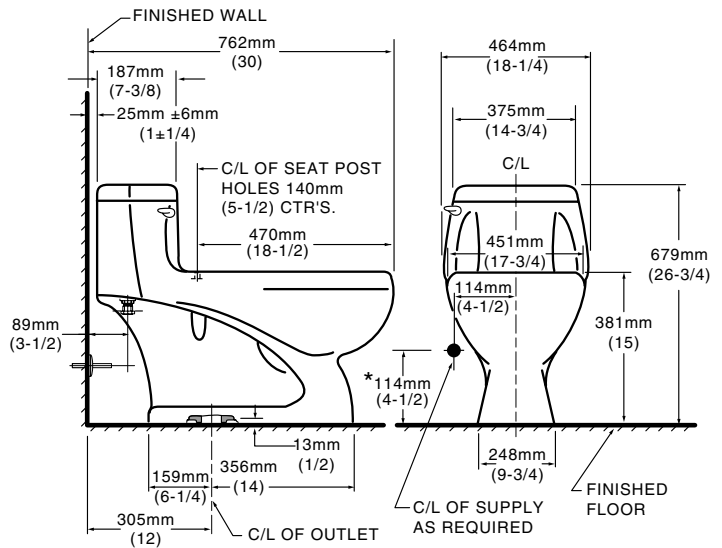
Nominal Dimensions:

762 x 464 x 679mm (30" x 18-1/4" x 26-3/4")

Fixture only, supply by others

**Compliance Certifications -
Meets or Exceeds the Following Specifications:**

- ASME A112.19.2M (and 19.6M) for Vitreous China Fixtures - includes Flush Performance, Ball Pass Diameter, Trap Seal Depth and all Dimensions



To Be Specified

- Color:
- Supply with stop:

NOTES:

THIS TOILET IS DESIGNED TO ROUGH-IN AT A MINIMUM DIMENSION OF 305MM (12") FROM FINISHED WALL TO C/L OF OUTLET.

SUPPLY NOT INCLUDED WITH FIXTURE AND MUST BE ORDERED SEPARATELY.

* DIMENSION SHOWN FOR LOCATION OF SUPPLY IS SUGGESTED.

IMPORTANT: Dimensions of fixtures are nominal and may vary within the range of tolerance established by ANSI Standard A112.19.2

These measurements are subject to change or cancellation. No responsibility is assumed for use of superseded or voided pages.