

IMPORTANT INSTRUCTIONS - OPERATING MANUAL

Professional Series



Power Unit

READ AND SAVE THESE INSTRUCTIONS

READ CAREFULLY BEFORE ATTEMPTING TO ASSEMBLE, INSTALL, OPERATE OR MAINTAIN THE PRODUCT DESCRIBED. PROTECT YOURSELF AND OTHERS BY OBSERVING ALL SAFETY INFORMATION. FAILURE TO COMPLY WITH INSTRUCTIONS COULD RESULT IN PERSONAL INJURY AND/OR PROPERTY DAMAGE!

RETAIN INSTRUCTIONS FOR FUTURE REFERENCE.

GENERAL SAFETY INFORMATION

When using electrical appliances, basic precautions should always be followed to reduce the risk of fire, electric shock and injury to person, including the following:

WARNING: TO REDUCE THE RISK OF FIRE, ELECTRIC SHOCK AND INJURY TO PERSON, OBSERVE THE FOLLOWING:

1. Read all instructions before installing or using range hood.
2. Use this unit only in the manner intended by the manufacturer. If you have questions, contact the manufacturer.
3. Before servicing or cleaning the unit, switch power off at service panel and lock the service disconnecting means to prevent power from being switched on accidentally. When the service disconnecting means cannot be locked, securely fasten a prominent warning device, such as a tag, to the service panel.
4. Installation work and electrical wiring must be done by qualified person(s) in accordance with all applicable codes and standards, including fire-related construction.
5. Sufficient air is needed for proper combustion and exhausting of gases through the flue (chimney) of fuel burning equipment to prevent back drafting. Follow the heating equipment manufacturer's guideline and safety standards such as those published by the National Fire Protection Association (NFPA) and the American Society for Heating, Refrigeration, and Air Conditioning Engineers (ASHRAE), and the local code authorities.

CAUTION: FOR GENERAL VENTILATING USE ONLY. DO NOT USE TO EXHAUST HAZARDOUS OR EXPLOSIVE MATERIALS AND VAPORS.

6. When cutting or drilling into wall or ceiling, do not damage electrical wiring and other hidden utilities.

CAUTION: TO REDUCE THE RISK OF FIRE AND TO PROPERLY EXHAUST AIR, BE SURE TO DUCT AIR OUTSIDE - DO NOT VENT EXHAUST AIR INTO SPACES WITHIN WALLS OR CEILINGS OR INTO ATTICS, CRAWL SPACES, OR GARAGES.

7. This unit must be grounded.
8. To avoid motor bearing damage and noisy and/or unbalanced impellers, keep drywall spray, construction dust, etc. off power unit.

WARNING: TO REDUCE THE RISK OF FIRE, ELECTRIC SHOCK, DO NOT USE THIS FAN WITH ANY SOLID-STATE SPEED CONTROL DEVICE.

WARNING: TO REDUCE THE RISK OF A RANGE TOP GREASE FIRE:

- a) Never leave surface units unattended at high settings. Boilovers cause smoking and greasy spillovers that may ignite. Heat oils slowly on low or medium settings.
- b) Always turn hood ON when cooking at high heat or when flambéing food (ie. Crepes Suzette, Cherries Jubilee, Peppercorn Beef Flambé).
- c) Clean ventilating fans frequently. Grease should not be allowed to accumulate on fan filter.
- d) Use proper pan size. Always use cookware appropriate for the size of the surface element.

WARNING: TO REDUCE THE RISK OF INJURY TO PERSONS IN THE EVENT OF A RANGE TOP GREASE FIRE, OBSERVE THE FOLLOWING:

- a) SMOTHER FLAMES with a close-fitting lid, cookie sheet, or metal tray, then turn off burner. BE CAREFUL TO PREVENT BURNS. If the flames do not go out immediately, EVACUATE AND CALL THE FIRE DEPARTMENT.
- b) NEVER PICK UP A FLAMING PAN - You may be burned.
- c) DO NOT USE WATER, including wet dishcloths or towels - a violent steam explosion will result.
- d) Use an extinguisher ONLY if:
 - I. You know you have a Class ABC extinguisher, and you already know how to operate it.
 - II. The fire is small and contained in the area where it started.
 - III. The fire department is being called.
 - IV. You can fight the fire with your back to an exit.

WARNING: TO REDUCE THE RISK OF FIRE, USE ONLY METAL DUCTWORK.

SAVE THESE INSTRUCTIONS

INSTALLATION INSTRUCTIONS

CAUTION: MAKE SURE POWER IS SWITCHED OFF AT SERVICE PANEL BEFORE STARTING INSTALLATION.

SECTION 1

Preparing the Insert

1. Unpack hood from the carton and confirm that all pieces are present. In addition to the range hood you should have:

- 6 - Screws
- 1 - Grease Trough
- 2 - Grease Baffles
- 1 - Instruction/Safety Sheet

NOTE: Some hoods may be shipped with a protective plastic adhered to the underside of the unit. It is recommended to leave this in place during installation to protect it from scratching. Remove when the installation is complete.

SECTION 2

Preparing the Area

CAUTION: MAKE SURE POWER IS SWITCHED OFF AT SERVICE PANEL BEFORE STARTING INSTALLATION.

CAUTION: WHEN CUTTING OR DRILLING INTO WALL DO NOT DAMAGE ELECTRICAL WIRING AND OTHER HIDDEN UTILITIES.

1. Cut a hole 30" wide by 17" deep into the cabinet or canopy the power unit will be mounted into (**Figure 1**):

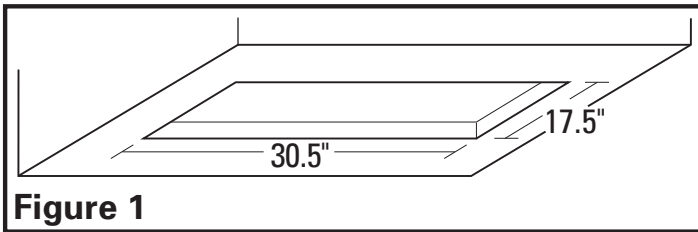


Figure 1

NOTE: The hood must be mounted a minimum of 24" and a maximum of 36" from the cooking surface.

SECTION 3

Optional Hood Liner

1. Secure the liner to the cabinet frame or custom canopy using three screws on each end of the liner and 3 screws on each side of the top of the liner (**Figure 2**).

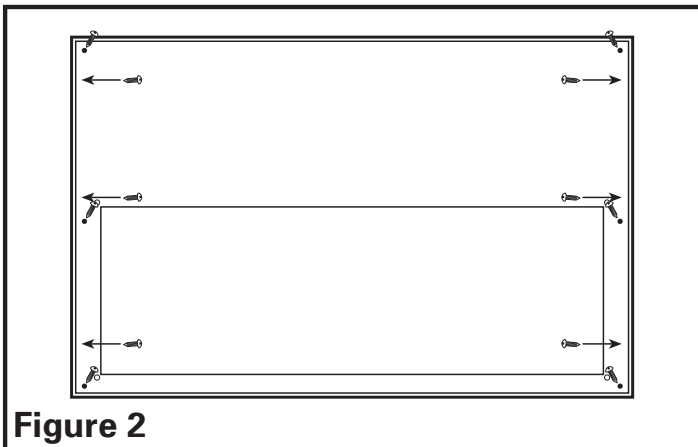


Figure 2

CAUTION: MAKE SURE THE SURFACE YOU ARE MOUNTING THE INSERT AND LINER TO IS CAPABLE OF SUPPORTING THE WEIGHT OF THE UNIT. OTHERWISE YOU WILL NEED TO REINFORCE THE AREA.

SECTION 4

Installing the Insert

NOTE: If you will not have access to the ducting or wiring once the hood is installed into the cabinet or canopy, make the ducting and electrical connections at this point by referring to the **SECTION 5** and **SECTION 6** of this instruction sheet.

NOTE: If cabinet frame work does not exist, you will need to install framing to secure the unit to (**Figure 3**).

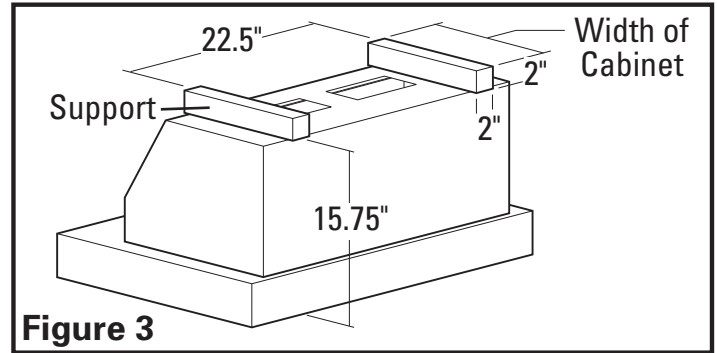


Figure 3

1. Insert the power unit into the hole and secure in place using the six provided mounting screws (**Figure 4**).

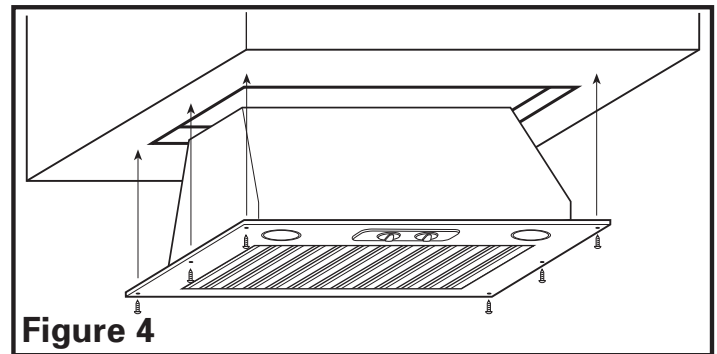


Figure 4

NOTE: If an Air King hood liner is being utilized, use the screws provided with the hood liner to attach the power unit to the liner.

CAUTION: MAKE SURE THE SURFACE YOU ARE MOUNTING THE POWER UNIT TO IS CAPABLE OF SUPPORTING THE WEIGHT OF THE UNIT. OTHERWISE YOU WILL NEED TO REINFORCE THE AREA.

SECTION 5

Ducting

CAUTION: ALL DUCTING MUST COMPLY WITH LOCAL AND NATIONAL BUILDING CODES.

WARNING: TO REDUCE THE RISK OF FIRE, USE ONLY METAL DUCTWORK.

1. Determine the type of ducting you will require (**Figure 5**).

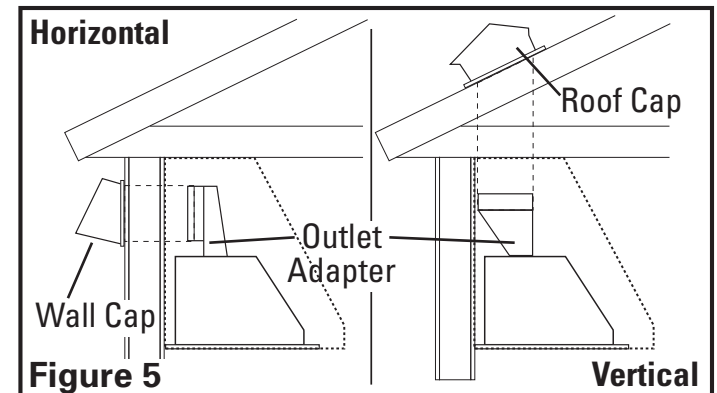
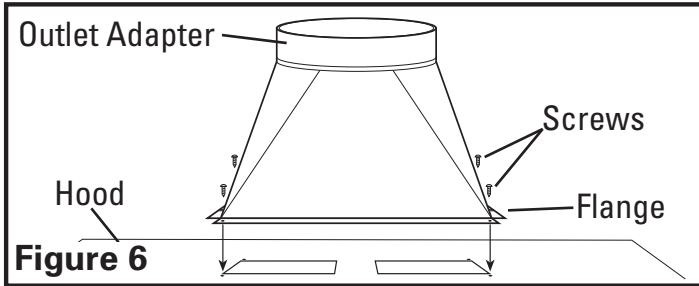


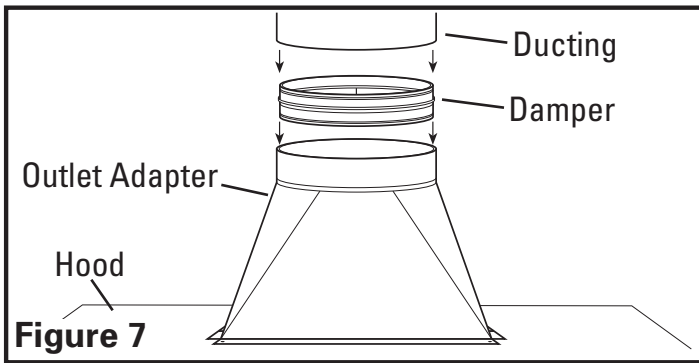
Figure 5

NOTE: When the duct termination is similar to that shown in Figure 5 (passing through the wall to which the hood is mounted) the installation requires special consideration. Depending upon where the wall studs are located, it may be necessary to cut one or more of the wall studs and install a header and footer to transfer the load to the adjacent studs. Additional studs may need to be framed into the opening to attach dry wall or secure the hood. If this is your situation Air King recommends that you hire a professional and comply with all applicable codes.

2. Install the proper sized outlet adapter (available separately) to the hood by matching up the four holes on the flange of the adapter to the four corresponding holes on the hood and secure in place with the provided screws. Ensure an airtight seal around the adapter by securing all connections with ducting tape (Figure 6).



3. It is highly recommended that a back draft damper be installed to prevent outside air from flowing back into the home. Choose a back draft damper (available separately) sized to fit the diameter of the outlet adapter. Attach the back draft damper into the outlet adapter, press fit it into the round opening of the adapter until it is fully seated, making sure the damper opens away from the hood otherwise airflow will be restricted (Figure 7).

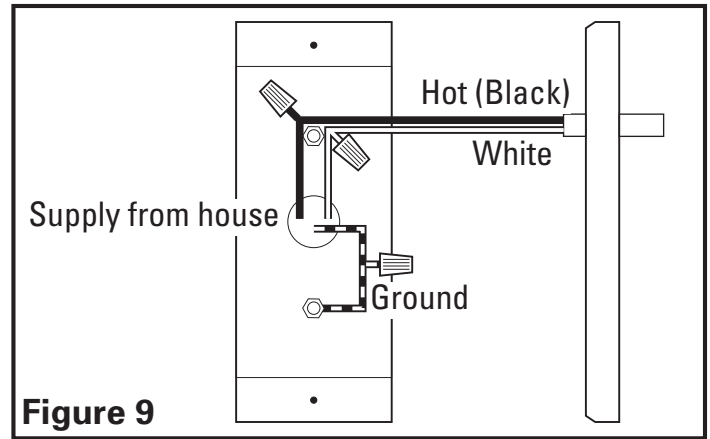
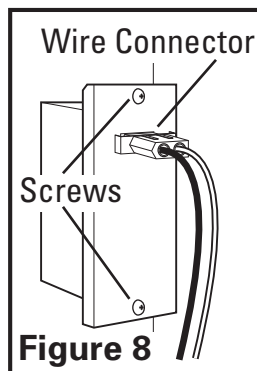


5. Connect the ducting to the outlet adapter and damper. Secure in place using tape to seal all joints (Figure 7).

SECTION 6 Wiring

CAUTION: ALL ELECTRICAL CONNECTIONS MUST BE MADE IN ACCORDANCE WITH LOCAL CODES, ORDINANCES, OR NATIONAL ELECTRICAL CODE. IF YOU ARE UNFAMILIAR WITH METHODS OF INSTALLING ELECTRICAL WIRING, SECURE THE SERVICES OF A QUALIFIED ELECTRICIAN.

1. Remove the two wire compartment cover screws to gain access into the wire compartment (Figure 8). Connect the white wire from the range hood to the white wire from the supply, and the black wire from the range hood to the black wire of the supply. Connect the ground wire from the home (green or bare) to the ground wire (green) from the hood. Use approved methods for all connections (Figure 9).
2. Replace the wire compartment cover and tighten screws. Make sure all wiring is securely contained within the wire compartment. If the quick connect wire connector was removed from the receptacle, replace. The connector will only fit one way into the receptacle (Figure 8).

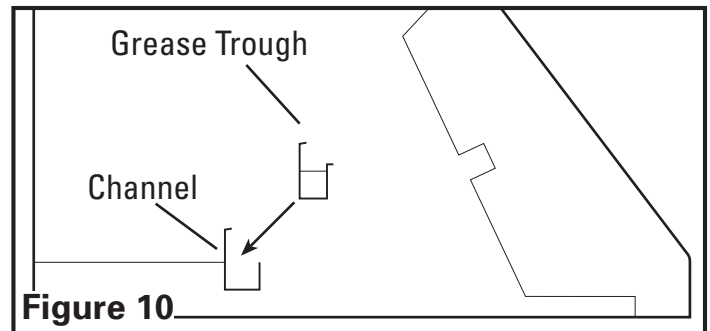


SECTION 7 Installing the Blower

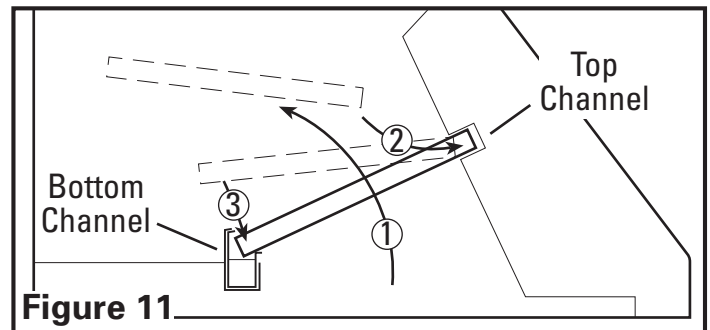
1. Refer to the instructions included with the specific blower you have chosen for installation.

SECTION 8 Finishing the Installation

1. Install the proper lighting for your specific unit:
 - Halogen Lamps:** Use PAR16, 45W maximum lamps (available separately). Install by inserting lamp into socket and turning clockwise until lamp is firmly seated. DO NOT over tighten.
2. If the included removable grease trough is not already installed within the hood, insert into the rear inside channel of the hood. Make sure the taller side of the trough is facing towards the back of the hood (Figure 10).



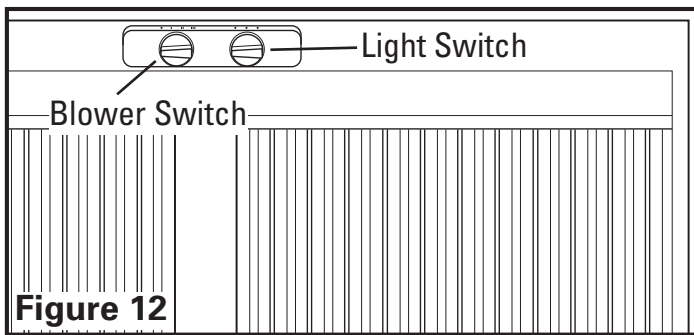
3. Install the baffle filters by inserting the top of the filter into the top channel of the hood, then slide the bottom of the filter into the bottom channel. The filters have a top and a bottom. The bottom of the filter will have small drain holes. These holes must be facing down towards the grease trough to be effective (Figure 11).



SECTION 9 Operation

Controls

Your Range Hood is equipped with two rotary switches with one controlling the lighting and the other controlling the exhaust fan blower. The light switch has three positions, HIGH (*), LOW (†), and OFF (•). The fan switch has four positions, OFF (•), HIGH (III), MEDIUM (II), and LOW (I) (Figure 12).



NOTE: On installation where a One (1) speed blower is utilized, all blower control speeds operate at the same speed. On installation where a Two (2) speed blower is utilized, the Medium and High speeds operate at the same speed.

SECTION 10

Maintenance

CAUTION: MAKE SURE POWER IS SWITCHED OFF AT SERVICE PANEL BEFORE SERVICING THE UNIT.

Grease Baffles - Included with your range hood are stainless steel grease baffles along with a grease trough that should be washed at least once a month. The baffles and trough are dishwasher safe and should be washed in a mild soap or detergent. Reverse the instruction in **SECTION 8** *Finishing the Installation*, to remove baffles and trough. If the grease baffles become damaged, replace with Air King Model PHGB1 Grease Baffles.

CAUTION: ALLOW BULB TO COOL BEFORE REPLACING.

Changing the Lamps: Disconnect power to the unit and unscrew lamps from socket. Replace with lamps as specified in **SECTION 8** *Finishing the Installation*.

Cleaning

CAUTION: DO NOT USE GASOLINE, BENZINE, THINNER, HARSH CLEANSERS, ETC., AS THEY MAY DAMAGE THE RANGE HOOD.

1. Clean your power unit with a mild detergent, such as dishwashing liquid, and dry with a soft cloth. **NEVER USE ANY ABRASIVE PADS OR SCOURING POWDERS.** Completely dry before restoring power. **NEVER IMMERSE ELECTRICAL PARTS IN WATER.**
2. The fan assembly can be vacuumed when build up (dirt, lint, etc.) accumulates over time. The fan is permanently lubricated and does not require oiling.

LIMITED WARRANTY

All products manufactured by Air King Limited are warranted for one year from the date of purchase against defects in workmanship and/or material. In addition, all ventilating/exhaust fans, heaters, combination fan lights and/or heaters, and range hoods are guaranteed for five years from the date of purchase against defects in workmanship and/or material.

This warranty does not cover any labor or shipping costs or the cost of replacement components as part of routine maintenance such as: range hood grease filters, charcoal filters or combination charcoal/grease filters; replacement light bulbs in range hoods or bathroom fan/light/bulb heater combinations. As well, any damage or failure caused by abuse, misuse, abnormal usage, faulty installation, or improper maintenance will not be covered by this warranty.

In order to make a claim on this warranty, you must be the original consumer of the product. You will be required to present to Air King the original bill of sale showing: date of purchase, place of purchase and model purchased. Failure to meet these requirements will void your warranty.

Air King will not be held responsible for any bodily injury or damages to personal property or real estate whether caused directly or indirectly by the product. Some states and provinces do not allow the exclusion or limitation of incidental or consequential damages and some states do not allow limitations on how long an implied warranty lasts, so these exclusions or limitations may not apply to you. This warranty gives you specific legal rights and you may have other rights which vary from state to state and province to province.

FOR PARTS OR TECHNICAL ASSISTANCE

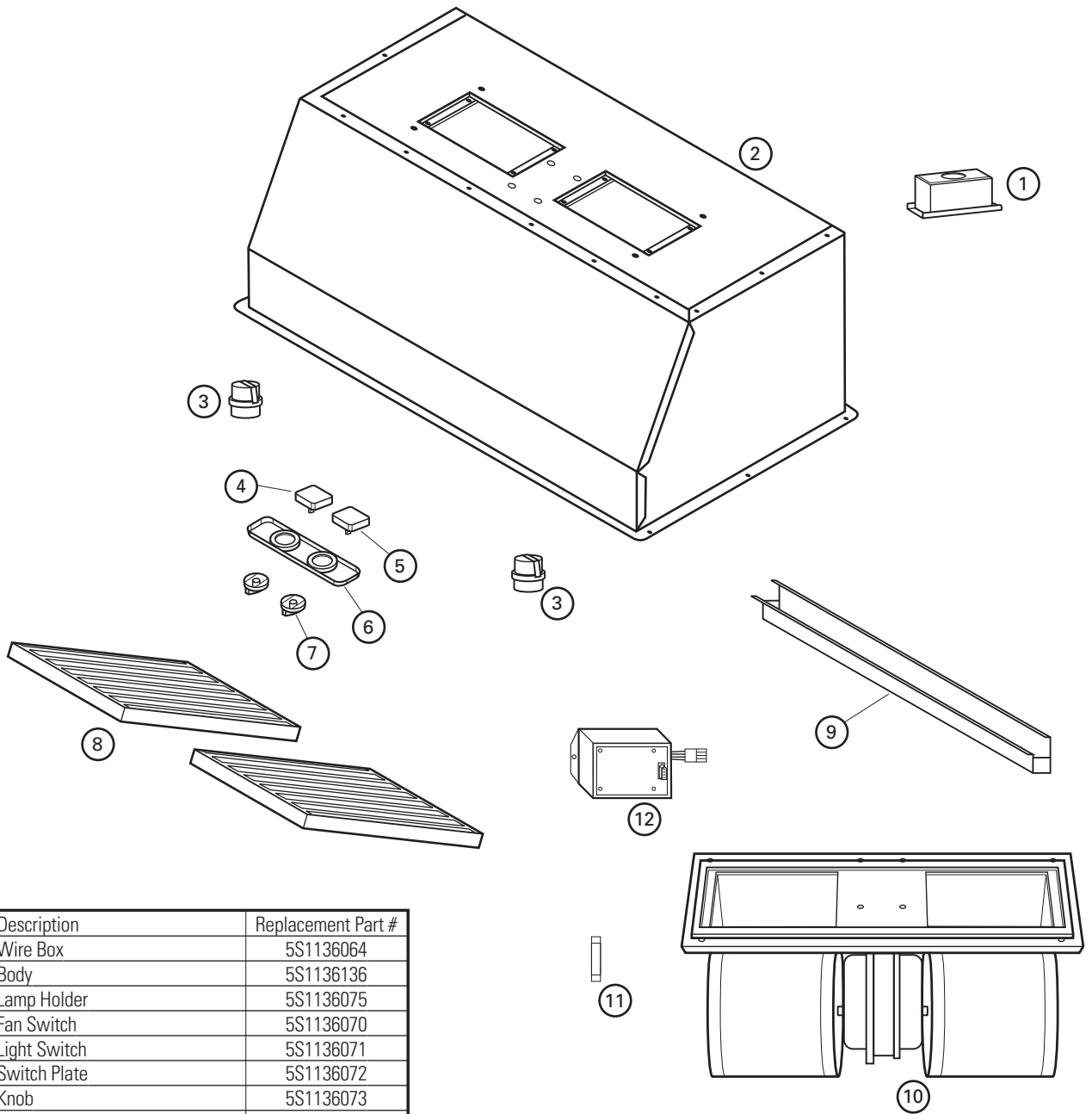
Please call: 1-800-465-7300, **MONDAY THROUGH FRIDAY, BETWEEN THE HOURS OF 8 AM AND 4:00 PM EST.** PLEASE DO NOT RETURN PRODUCT TO PLACE OF PURCHASE.

Reference the type and style of product (located on label inside of the product) when you call. For more information please visit our website: www.airkinglimited.com

Troubleshooting Guide

Trouble	Probable Cause	Suggested Remedy
1. Hood does not operate when the switch is on.	1a. A fuse may be blown or a circuit tripped. 1b. Wiring is not connected properly.	1a. Replace fuse or reset circuit breaker. 1b. Turn off power to unit. Check that all wires are connected.
2. Hood is operating, but air moves slower than normal.	2. Obstruction in the exhaust ducting.	2. Check for any obstructions in the ducting including filter.
3. Hood is making a rattling noise.	3a. Filters are loose. 3b. Duct connection is loose.	3a. Turn off power to unit. Check that all filter screws are fully tightened. 3b. Turn off power to unit. Check that duct connection is tight.

REPLACEMENT PARTS DIAGRAM



#	Qty.	Description	Replacement Part #
1	1	Wire Box	5S1136064
2	1	Body	5S1136136
3	2	Lamp Holder	5S1136075
4	1	Fan Switch	5S1136070
5	1	Light Switch	5S1136071
6	1	Switch Plate	5S1136072
7	2	Knob	5S1136073
8	2	Baffle Filter	5S1136077
9	1	Grease Tray	5S1136135
10	1	Blower	**
11	1	Fuse	**
12	1	Transformer*	**

* 900 CFM and 1200 CFM models only

** Part number is dependent upon specific model

Installer: _____

Installation Date: _____

Place of Purchase: _____

Model Number: _____