

IMPORTANT INSTRUCTIONS - OPERATING MANUAL

Models: ESSEV28, ESSEV30



Power Unit

READ AND SAVE THESE INSTRUCTIONS

READ CAREFULLY BEFORE ATTEMPTING TO ASSEMBLE, INSTALL, OPERATE OR MAINTAIN THE PRODUCT DESCRIBED. PROTECT YOURSELF AND OTHERS BY OBSERVING ALL SAFETY INFORMATION. FAILURE TO COMPLY WITH INSTRUCTIONS COULD RESULT IN PERSONAL INJURY AND/OR PROPERTY DAMAGE!

RETAIN INSTRUCTIONS FOR FUTURE REFERENCE.

GENERAL SAFETY INFORMATION

When using electrical appliances, basic precautions should always be followed to reduce the risk of fire, electric shock and injury to person, including the following:

WARNING: TO REDUCE THE RISK OF FIRE, ELECTRIC SHOCK AND INJURY TO PERSON, OBSERVE THE FOLLOWING:

- a) Use this unit only in the manner intended by the manufacturer. If you have questions, contact the manufacturer.
- b) Before servicing or cleaning the unit, switch power off at service panel and lock the service disconnecting means to prevent power from being switched on accidentally. When the service disconnecting means cannot be locked, securely fasten a prominent warning device, such as a tag, to the service panel.

WARNING: TO REDUCE THE RISK OF FIRE, ELECTRIC SHOCK AND INJURY TO PERSON, OBSERVE THE FOLLOWING:

- a) Installation work and electrical wiring must be done by qualified person(s) in accordance with all applicable codes and standards, including fire-related construction.
- b) Sufficient air is needed for proper combustion and exhausting of gases through the flue (chimney) of fuel burning equipment to prevent back drafting. Follow the heating equipment manufacturer's guideline and safety standards such as those published by the National Fire Protection Association (NFPA) and the American Society for Heating, Refrigeration, and Air Conditioning Engineers (ASHRAE), and the local code authorities.
- c) When cutting or drilling into wall or ceiling, do not damage electrical wiring and other hidden utilities.

CAUTION: TO REDUCE THE RISK OF FIRE AND TO PROPERLY EXHAUST AIR, BE SURE TO DUCT AIR OUTSIDE - DO NOT VENT EXHAUST AIR INTO SPACES WITHIN WALLS OR CEILINGS OR INTO ATTICS, CRAWL SPACES, OR GARAGES.

- d) Ducted fans must always be vented to the outdoors.
- e) This unit must be grounded.
- f) To avoid motor bearing damage and noisy and/or unbalanced impellers, keep drywall spray, construction dust, etc. off power unit.
- g) Read all instructions before installing or using exhaust fan.

WARNING: TO REDUCE THE RISK OF FIRE, ELECTRIC SHOCK, DO NOT USE THIS FAN WITH ANY SOLID-STATE SPEED CONTROL DEVICE.

WARNING: TO REDUCE THE RISK OF A RANGE TOP GREASE FIRE:

- a) Never leave surface units unattended at high settings. Boilovers cause smoking and greasy spillovers that may ignite. Heat oils slowly on low or medium settings.
- b) Always turn hood ON when cooking at high heat or when flambéing food (ie. Crepes Suzette, Cherries Jubilee, Peppercorn Beef Flambé).
- c) Clean ventilating fans frequently. Grease should not be allowed to accumulate on fan filter.
- d) Use proper pan size. Always use cookware appropriate for the size of the surface element.

WARNING: TO REDUCE THE RISK OF INJURY TO PERSONS IN THE EVENT OF A RANGE TOP GREASE FIRE, OBSERVE THE FOLLOWING:

- a) SMOTHER FLAMES with a close-fitting lid, cookie sheet, or metal tray, then turn off burner. BE CAREFUL TO PREVENT BURNS. If the flames do not go out immediately, EVACUATE AND CALL THE FIRE DEPARTMENT.
- b) NEVER PICK UP A FLAMING PAN - You may be burned.
- c) DO NOT USE WATER, including wet dishcloths or towels - a violent steam explosion will result.
- d) Use an extinguisher ONLY if:
 - I. You know you have a Class ABC extinguisher, and you already know how to operate it.
 - II. The fire is small and contained in the area where it started.
 - III. The fire department is being called.
 - IV. You can fight the fire with your back to an exit.

WARNING: TO REDUCE THE RISK OF FIRE, USE ONLY METAL DUCTWORK.

SAVE THESE INSTRUCTIONS

INSTALLATION INSTRUCTIONS

CAUTION: MAKE SURE POWER IS SWITCHED OFF AT SERVICE PANEL BEFORE STARTING INSTALLATION.

SECTION 1

Preparing the Insert

1. Unpack hood from the carton and confirm that all pieces are present. In addition to the range hood you should have:
 - 1 - Package containing:
 - 1 - duct collar
 - 4 - #8-32 screws
 - 2 - Aluminum Grease Filters (shipped installed)
 - 2 - 18 watt fluorescent lamps
 - 1 - Instruction/Safety Sheet

NOTE: Some hoods may be shipped with a protective plastic adhered to the underside of the unit. It is recommended to leave this in place during installation to protect it from scratching. Remove when the installation is complete.

SECTION 2

Preparing the Area

CAUTION: MAKE SURE POWER IS SWITCHED OFF AT SERVICE PANEL BEFORE STARTING INSTALLATION.

CAUTION: WHEN CUTTING OR DRILLING INTO WALL DO NOT DAMAGE ELECTRICAL WIRING AND OTHER HIDDEN UTILITIES.

1. Most building codes require noncombustible material above the cooking surface. If you have wood or some other combustible material on the bottom of your cabinets it is recommended that you use the optional hood liner (See **Section 3**) If you have noncombustible material cut an appropriate size hole into the cabinet or canopy the power unit will be mounted into (**Figure 1**):

ESSEV28 models: 27" wide by 10" deep.

ESSEV30 models: 30" wide by 10" deep

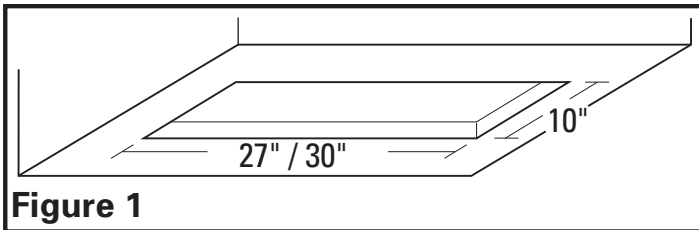


Figure 1

NOTE: The hood must be mounted a minimum of 24" and a maximum of 36" from the cooking surface.

SECTION 3

Optional Hood Liner

CAUTION: MAKE SURE THE SURFACE YOU ARE MOUNTING THE INSERT AND LINER TO IS CAPABLE OF SUPPORTING THE WEIGHT OF THE UNIT. OTHERWISE YOU WILL NEED TO REINFORCE THE AREA.

1. Secure the liner to the cabinet frame or custom canopy using three screws on each end of the liner and 3 screws on each side of the top of the liner (**Figure 2**).

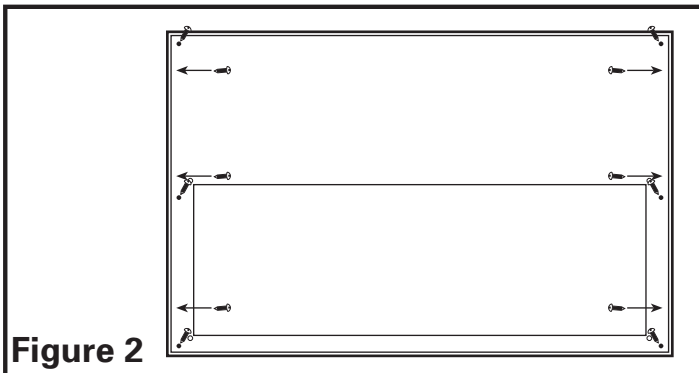


Figure 2

SECTION 4

Installing the Insert

2. Insert the power unit into the hole and secure to liner using the screws provided with the Liner (**Figure 3**).

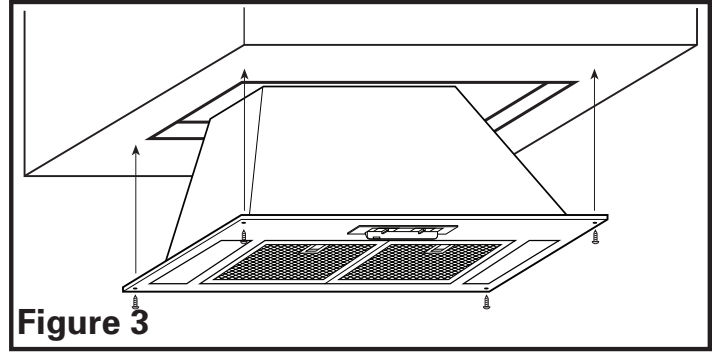


Figure 3

NOTE: If an optional Air King Liner is not being used; use appropriate hardware to install the unit in place, making sure to comply with all Local and National Building Codes.

CAUTION: MAKE SURE THE SURFACE YOU ARE MOUNTING THE POWER UNIT TO IS CAPABLE OF SUPPORTING THE WEIGHT OF THE UNIT. OTHERWISE YOU WILL NEED TO REINFORCE THE AREA.

SECTION 5

Ducting

CAUTION: ALL DUCTING MUST COMPLY WITH LOCAL AND NATIONAL BUILDING CODES.

WARNING: TO REDUCE THE RISK OF FIRE, USE ONLY METAL DUCTWORK.

1. Install the included duct collar to the hood with two of the provided #6 blunt tip screws (**Figure 4**).

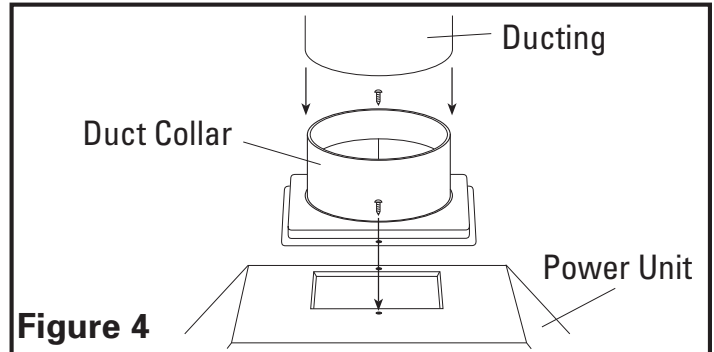


Figure 4

2. When there is access to the top of the unit, connect the ducting to the duct collar and secure in place using tape to seal all joints (**Figure 4**).
3. When there is no access to the top of the hood, carefully pull down the metal duct through the custom hood base hole. Slide this duct over the duct collar. Make sure the adapter/damper assembly enters the ducting. Seal the connection with duct tape.

NOTE: To achieve proper air flow, 6" round ducting is required. The duct connector is 5.8" in diameter (for 6" round ducting) and the center is located 3.1875" inches from the back wall.

CAUTION: ALWAYS DUCT THE FAN TO THE OUTSIDE THROUGH A WALL OR ROOF CAP.

SECTION 6

Wiring

CAUTION: ALL ELECTRICAL CONNECTIONS MUST BE MADE IN ACCORDANCE WITH LOCAL CODES, ORDINANCES, OR NATIONAL ELECTRICAL CODE. IF YOU ARE UNFAMILIAR WITH METHODS OF INSTALLING ELECTRICAL WIRING, SECURE THE SERVICES OF A QUALIFIED ELECTRICIAN.

3. Examine the wire compartment cover and select the most convenient wire entrance and remove the knock out. Feed the supply wire through the opening and install an appropriate strain relief. Connect the white wire from the power unit to the white wire from the supply. Connect the black wire from the power unit to the black wire of the supply. Connect the ground wire from the home (green or bare) to the ground wire of the power unit (green or green/yellow). Use approved methods for all connections (**Figure 5**).

SECTION 9

Maintenance

CAUTION: MAKE SURE POWER IS SWITCHED OFF AT SERVICE PANEL BEFORE SERVICING THE UNIT.

Filters

1. Included with your unit are aluminum grease filters that should be washed at least once a month. The filters are dishwasher safe and should be washed in a mild soap or detergent.
2. To remove the filters, pull down on the handle tab until the filter releases from the unit. To reinstall, slide tab at rear of filter into slot in the unit. While holding in handle of filter, lift filter into place and release handle. The filter should snap securely into place (Figure 8).

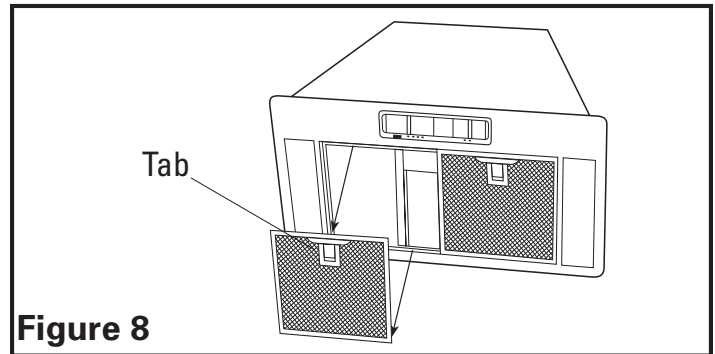


Figure 8

3. If the grease filters become damaged, replace with the Air King Model SVGF-03 Grease Filters.

Changing the Lamp

Remove the lamp cover on the underside of the hood and remove the lamp by gently rocking it back and forth while applying outward pressure to release the lamp from the base. Replace with Air King model 18WFB or a compatible CFM18W/GX24Q/835 lamp.

Sylvania model: 20877

Phillips model: 26820

Fuse

To replace the fuse, turn the fuse cap located next to the wire connector counter clockwise and pull out. Replace with a Bussman MDA-1.5 or equivalent 250-Volt, 1-1/2 Amp Max. fuse. Reinstall the fuse back into the hood.

Cleaning

CAUTION: DO NOT USE GASOLINE, BENZINE, THINNER, HARSH CLEANSERS, ETC., AS THEY MAY DAMAGE THE RANGE HOOD.

1. Clean your power unit with a mild detergent, such as dishwashing liquid, and dry with a soft cloth. **NEVER USE ANY ABRASIVE PADS OR SCOURING POWDERS.** Completely dry before restoring power. **NEVER IMMERSE ELECTRICAL PARTS IN WATER.**
2. The fan assembly can be vacuumed when build up (dirt, lint, etc.) accumulates over time. The fan is permanently lubricated and does not require oiling.

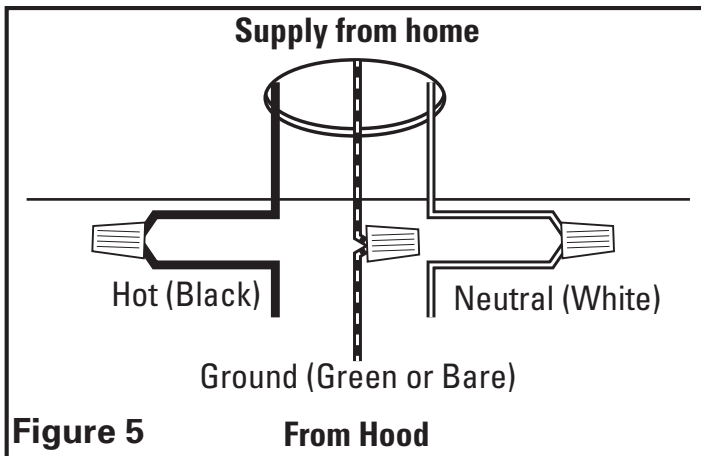


Figure 5

From Hood

2. Attach the wire compartment to the power unit with two of the provided #6 blunt tipped screws (Figure 6).

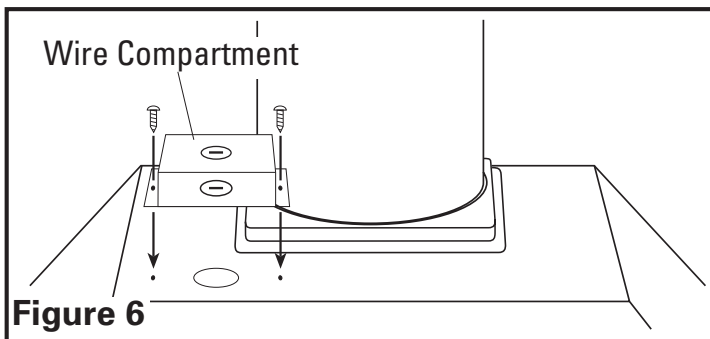


Figure 6

SECTION 7

Finishing the Installation

1. Remove any protective plastic adhered to the power unit.
2. Remove the lens covers, install the two included 18 Watt compact fluorescent lamps by fully inserting lamp base into the lamp holder, and replace the lens covers.
3. Turn switches to the OFF (●) position and restore power. Test that the light and the fan are operating properly.
4. If there is any vibration noise, check for the source and try to tighten fasteners, adjust the tape to make a tighter connection or seal, or check that the hood collar damper, wall damper or ceiling damper are opening properly.

SECTION 8

Operation

Controls

Your Range Hood is equipped with two sliding switches with one controlling the lighting and the other controlling the exhaust fan. The light control has two positions, ON (I) and OFF (O). The fan is a four position control, HIGH (III), MEDIUM (II), LOW (I), and OFF (●) (Figure 7).

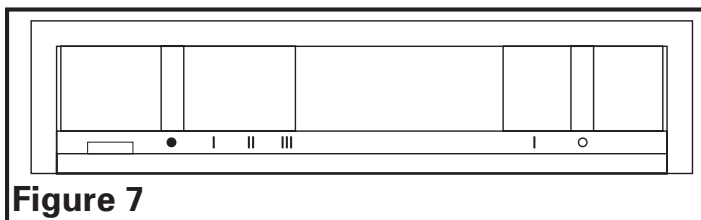


Figure 7

Troubleshooting Guide

Trouble	Probable Cause	Suggested Remedy
1. Hood does not operate when the switch is on.	1a. A fuse may be blown or a circuit tripped. 1b. Wiring is not connected properly.	1a. Replace fuse or reset circuit breaker. 1b. Turn off power to unit. Check that all wires are connected.
2. Hood is operating, but air moves slower than normal.	2. Obstruction in the exhaust ducting.	2. Check for any obstructions in the ducting including filter.
3. Hood is making a rattling noise.	3a. Filters are loose. 3b. Duct connection is loose. 3c. Damper is stuck.	3a. Turn off power to unit. Check that all filter screws are fully tightened. 3b. Turn off power to unit. Check that duct connection is tight. 3c. Turn off power to unit. Check that the damper is opening freely.

LIMITED WARRANTY

WHAT THIS WARRANTY COVERS: This product is warranted against defects in workmanship and/or materials.

HOW LONG THIS WARRANTY LASTS: This warranty extends only to the original purchaser of the product and lasts for one (1) year from the date of original purchase or until the original purchaser of the product sells or transfers the product, whichever first occurs.

WHAT AIR KING WILL DO: During the warranty period, Air King will, at its sole option, repair or replace any part or parts that prove to be defective or replace the whole product with the same or comparable model.

WHAT THIS WARRANTY DOES NOT COVER: This warranty does not apply if the product was damaged or failed because of accident, improper handling or operation, shipping damage, abuse, misuse, unauthorized repairs made or attempted. This warranty does not cover shipping costs for the return of products to Air King for repair or replacement. Air King will pay return shipping charges from Air King following warranty repairs or replacement.

ANY AND ALL WARRANTIES, EXPRESSED OR IMPLIED (INCLUDING, WITHOUT LIMITATION, ANY IMPLIED WARRANTY OF MERCHANTABILITY), LAST ONE YEAR FROM THE DATE OF ORIGINAL PURCHASE OR UNTIL THE ORIGINAL PURCHASER OF THE PRODUCT SELLS OR TRANSFERS THE PRODUCT, WHICHEVER FIRST OCCURS AND IN NO EVENT SHALL AIR KING'S LIABILITY UNDER ANY EXPRESS OR IMPLIED WARRANTY INCLUDE (I) INCIDENTAL OR CONSEQUENTIAL DAMAGES FROM ANY CAUSE WHATSOEVER, OR (II) REPLACEMENT OR REPAIR OF ANY HOUSE FUSES, CIRCUIT BREAKERS OR RECEPTACLES. NOTWITHSTANDING ANYTHING TO THE CONTRARY, IN NO EVENT SHALL AIR KING'S LIABILITY UNDER ANY EXPRESS OR IMPLIED WARRANTY EXCEED THE PURCHASE PRICE OF THE PRODUCT AND ANY SUCH LIABILITY SHALL TERMINATE UPON THE EXPIRATION OF THE WARRANTY PERIOD.

Some states and provinces do not allow limitations on how long an implied warranty lasts, or the exclusion or limitation of incidental or consequential damages, so these exclusions or limitations may not apply to you. This warranty gives you specific legal rights. You may also have other rights which vary from state to state and province to province. Proof of purchase is required before a warranty claim will be accepted.

CUSTOMER SERVICE:

Toll-Free (800) 465-7300

Our Customer Service team is available to assist you with product questions, service center locations, and replacement parts. They can be reached Monday through Friday, 8am-4pm Eastern. Please have your model number available, as well as the type and style (located on the label inside of your product).

Please do not return product to place of purchase.

www.airkinglimited.com

PARTS FOR DISCONTINUED, OBSOLETE AND CERTAIN OTHER PRODUCTS MAY NOT BE AVAILABLE. DUE TO SAFETY REASONS, MANY ELECTRONIC COMPONENTS AND MOST HEATER COMPONENTS ARE NOT AVAILABLE TO CONSUMERS FOR INSTALLATION OR REPLACEMENT.

Installer: _____

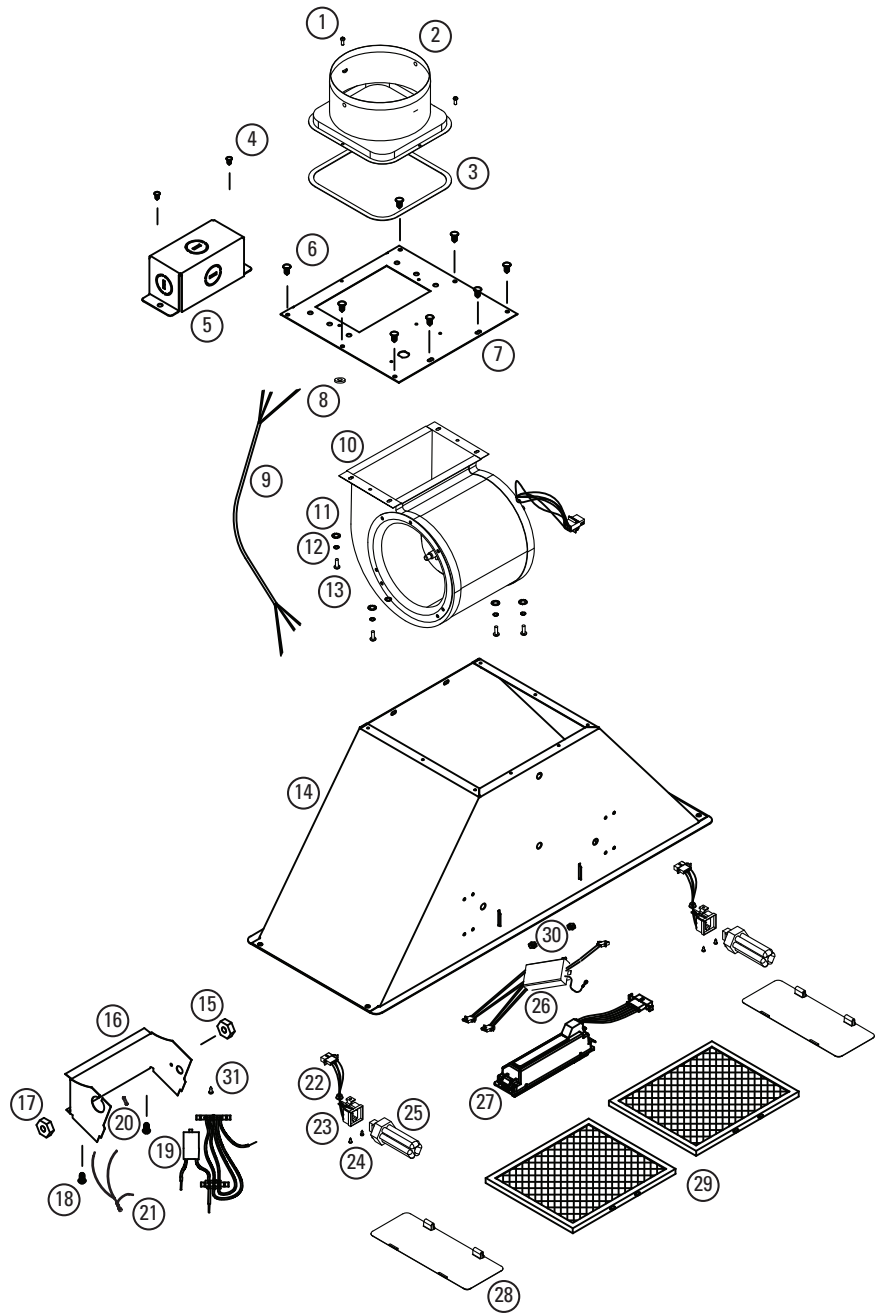
Installation Date: _____

Place of Purchase: _____

Model Number: _____

REPLACEMENT PARTS DIAGRAM

#	Qty.	Description	Replacement Part #
1	2	Screw	5S1999010
2	1	Collar Assembly	5S5299100
3	1	Gasket	5S1202054
4	2	Screw	5S1999010
5	1	Wire Compartment	5S1137003
6	10	Screw	5S1999111
7	1	Blower Plate	5S1137002
8	1	Strain Relief	5S1999250
9	1	Main Harness	5S1137049
10	1	Blower Assembly	5S1140018
11	4	Flat Washer	5S1137009
12	4	Lock Washer	5S1999251
13	4	Mounting Screws	5S1999112
14	1	Body - ESSEV28	5S1137010
	1	Body - ESSEV30	5S1137011
15	1	Small Bushing	5S1137039
16	1	Electrical Box	5S1137040
17	1	Large Bushing	5S1999252
18	2	Screw	5S1137040
19	1	Cap Harness	5S2137004
20	1	Fuse	5S1140021
21	1	Fuse Holder	5S1999253
22	2	Lamp Holder Harness	5S1111010
23	2	Lamp Holder	5S1111016
24	4	Screw	5S1999111
25	2	FL Lamp 18 watt	5S1999254
26	1	Harness Ballast	5S1137012
27	1	Slide Switch Assembly	5S1112037
28	2	Lens Cover	5S1112011
29	2	Grease Filters	5S1137041
30	2	Hex Nut	5S1999115
31	1	Screw	5S1999009



NOTES

INSTRUCTIONS IMPORTANTES – MODE D'EMPLOI

Modèles: ESSEV28, ESSEV30

Air King
Ventilation Products®

Unité de puissance

LIRE ET CONSERVER CES INSTRUCTIONS

LIRE SOIGNEUSEMENT AVANT DE TENTER D'ASSEMBLER, INSTALLER, OPÉRER OU DE RÉPARER LE PRODUIT DÉCRIT. PROTÉGEZ VOUS-MÊME ET LES AUTRES EN OBSERVANT TOUTE L'INFORMATION DE SÉCURITÉ. FAILLIR À SE CONFORMER AUX INSTRUCTIONS PEUT RÉSULTER EN BLESSURE PERSONNELLE GRAVE ET/OU EN DOMMAGE À LA PROPRIÉTÉ.

CONSERVER CES INSTRUCTIONS POUR RÉFÉRENCES FUTURES.

INSTRUCTIONS GÉNÉRALES DE SÉCURITÉ

Lors de l'utilisation d'appareils électriques, des précautions de base doivent toujours être suivies pour réduire les risques d'incendie, de choc électrique et de blessures corporelles, incluant ce qui suit:

AVERTISSEMENT: POUR RÉDUIRE LES RISQUES D'INCENDIE, DE CHOC ÉLECTRIQUE OU DE BLESSURES PERSONNELLES OBSERVER CE QUI SUIT:

- Utiliser cette unité seulement de la manière pour laquelle le fabricant l'a conçu. Si vous aviez des questions, veuillez contacter le fabricant.
- Avant d'effectuer un service ou de nettoyer l'unité, couper l'alimentation électrique dans le panneau de distribution et verrouiller le dispositif de déconnexion afin d'éviter que l'alimentation ne revienne accidentellement. Lorsque le dispositif ne peut être verrouillé, fixer solidement un avis d'avertissement, tel qu'une étiquette, au panneau de distribution.

AVERTISSEMENT: POUR RÉDUIRE LES RISQUES D'INCENDIE, DE CHOC ÉLECTRIQUE OU DE BLESSURES PERSONNELLES OBSERVER CE QUI SUIT:

- Le travail d'installation et le câblage électrique doivent être effectués par une(des) personne(s) qualifiée(s) en conformité avec tous les codes et normes applicables, incluant la construction relative aux incendies.
- De l'air en quantité suffisante est requis pour la bonne combustion et l'évacuation de gaz par le conduit (cheminée) provenant d'équipement de brûlage au combustible pour prévenir un refoulement. Suivre les directives du fabricant de l'équipement de chauffage et les normes de sécurité telles que celles publiées par la National Fire Protection Association (NFPA) et de la American Society for Heating, Refrigeration, and Air Conditioning Engineers (ASHRAE), et de celles des autorités locales du code.
- Lorsque vous coupez ou percez un mur ou un plafond, prenez garde de ne pas endommager les fils électriques ou tout appareil qui pourrait être dissimulé.

AVERTISSEMENT: POUR RÉDUIRE LES RISQUES D'INCENDIE ET POUR ÉVACUER L'AIR ADÉQUATEMENT, ASSUREZ-VOUS D'ÉVACUER L'AIR VERS L'EXTÉRIEUR – NE PAS ÉVACUER L'AIR DANS DES ESPACES DANS LES MURS, LES PLAFONDS OU LES GRENIERS, LES GALERIES TECHNIQUES OU LES GARAGES.

- Les ventilateurs avec conduits doivent toujours être évacués vers l'extérieur.
- Cette unité doit être mise à la terre.
- Pour éviter des dommages aux roulements des moteurs et/ou des hélices bruyantes ou déséquilibrées, empêcher la poussière de cloison sèche, poussière de construction, etc., d'atteindre l'unité de puissance.
- Lire toutes les instructions avant d'installer ou d'utiliser la hotte de cuisine.

AVERTISSEMENT: POUR RÉDUIRE LES RISQUES D'INCENDIE OU DE CHOC ÉLECTRIQUE, NE PAS UTILISER CE VENTILATEUR AVEC UN RÉGULATEUR DE VITESSE ÉLECTRONIQUE.

AVERTISSEMENT: POUR RÉDUIRE LES RISQUES D'INCENDIE DE GRAISSE SUR LE DESSUS DE LA CUISINIÈRE:

- Ne jamais laisser les unités de surface à des degrés élevés sans surveillance. Les débordements par bouillonnement produisent de la fumée et des débordements graisseux qui peuvent s'enflammer. Chauffer les huiles lentement à des degrés faibles ou modérés.
- Toujours mettre la hotte EN MARCHÉ lors de cuisson à haute température ou lors de flambage de nourriture (par ex., des Crêpes Suzette, de Cerises Jubilées, steak flambé, etc.)
- Nettoyer les ventilateurs d'évacuation fréquemment. Aucune accumulation de graisse ne devrait être tolérée sur les filtres du ventilateur.
- Utiliser des poêlons de taille appropriée. Toujours utiliser les batteries de cuisine appropriées pour la taille de l'élément de surface.

AVERTISSEMENT: POUR RÉDUIRE LES RISQUES DE BLESSURES PERSONNELLES DANS L'ÉVENTUALITÉ D'UN FEU DE GRAISSE SUR LA SURFACE DE CUISSON, SUIVRE LES INDICATIONS SUIVANTES:

- ÉTOUFFER LES FLAMMES avec un couvercle bien ajusté, une tôle à biscuits, ou un cabaret de métal, puis mettre le grill hors fonction. PRENEZ SOIN D'ÉVITER LES BRÛLURES. Si les flammes ne s'éteignent pas immédiatement, ÉVACUER ET APPELER LE SERVICE DES INCENDIES.
- NE JAMAIS SAISIR UN POÊLON EN FLAMME – vous pourriez être brûlé.
- NE PAS UTILISER DE L'EAU, incluant les linges à vaisselle ou les serviettes mouillées – il en résulterait une violente explosion de vapeur.
- Utiliser un extincteur SEULEMENT SI:
 - Vous savez que vous avez un extincteur de classe ABC, et que vous savez déjà comment l'opérer.
 - Le feu est petit et contenu dans la zone où il a commencé.
 - On appelle le service des incendies.
 - Vous pouvez combattre l'incendie avec une sortie derrière vous.

AVERTISSEMENT: POUR RÉDUIRE LES RISQUES D'INCENDIE, UTILISER UNIQUEMENT DES CONDUITS EN MÉTAL.

CONSERVER CES INSTRUCTIONS

INSTRUCTIONS D'INSTALLATION

AVERTISSEMENT : ASSUREZ-VOUS QUE L'ALIMENTATION EST COUPÉE AU PANNEAU DE SERVICE AVANT DE COMMENCER L'INSTALLATION.

SECTION 1

Préparation de la unité de puissance

- Unpack hood from the carton and confirm that all pieces are present. In addition to the range hood you should have:
- Sortir la hotte de son emballage et confirmer que toutes les pièces sont présentes. En plus de la hotte, vous devriez avoir :
 - Contenu de l'emballage :
 - Collet de conduit
 - Vis #8-32
 - Filtres à graisses en aluminium (livré installés)
 - Lampes fluorescentes de 18 watts
 - Feuillet d'instruction/de sécurité

REMARQUE : Certaines hottes de cuisine peuvent être livrées avec une pellicule protectrice en plastique collée sur le dessous de l'unité. Il est recommandé de laisser cette pellicule en place durant l'installation pour la protection contre les égratignures. Enlever une fois l'installation complétée.

SECTION 2

Préparation du secteur

AVERTISSEMENT : ASSUREZ-VOUS QUE L'ALIMENTATION EST COUPÉE AU PANNEAU DE SERVICE AVANT DE COMMENCER L'INSTALLATION.

AVERTISSEMENT : LORS DE DECOUPE OU DE PERCAGE DANS UN MUR NE PAS ENDOMMAGER DE FILAGE ELECTRIQUE OU AUTRES UTILITES DISSIMULEES.

- La plupart des codes de bâtiments exigent un matériel non-combustible au-dessus de la surface de cuisson. Si vous avez le bois ou un autre matériel combustible sur le fond de vos cabinets, on vous recommande d'utiliser le revêtement facultatif de hotte (voyez à la section 3). Si vous avez un matériel non-combustible, faites un trou approprié dans le cabinet ou le panneau où l'unité d'alimentation sera montée (Figure 1):

Modèles ESSEV28 : 27 po x 10 po de profondeur

Modèles ESSEV30 : 30 po x 10 po de profondeur

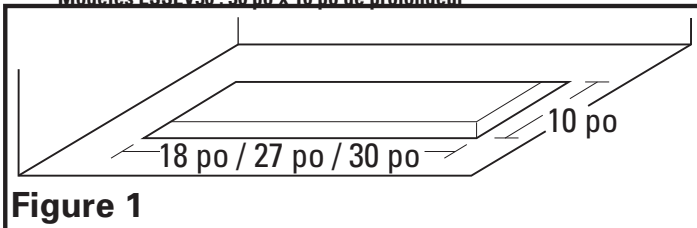


Figure 1

REMARQUE : La hotte doit être montée à un minimum de 24 po et à un maximum de 36 po de la surface de cuisson.

SECTION 3

Revêtement facultatif de la hotte

AVERTISSEMENT : ASSUREZ-VOUS QUE LA SURFACE SUR LAQUELLE VOUS INSTALLEZ L'UNITÉ DE PUISSANCE EST CAPABLE DE SUPPORTER LE POIDS DE L'UNITÉ. AUTREMENT VOUS AUREZ BESOIN DE RENFORCER CETTE RÉGION.

- Fixez le revêtement à l'armature ou au panneau fait sur mesure du cabinet en utilisant trois vis sur chaque extrémité du revêtement et 3 vis de chaque côté du dessus du revêtement (Figure 2).

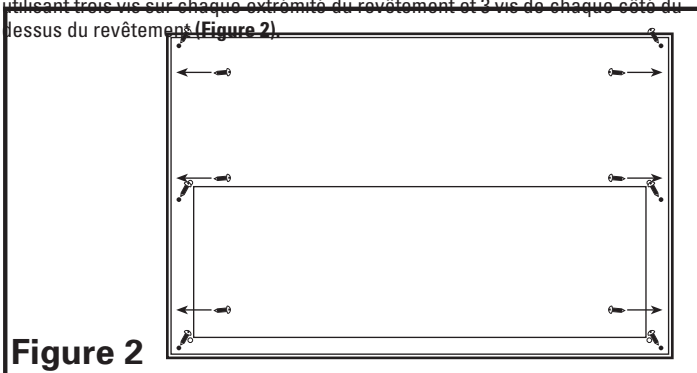


Figure 2

SECTION 4

Installation de l'encastrement

- Insérez l'unité de puissance dans le trou et fixez-la au revêtement utilisant les vis fournies avec le revêtement (Figure 3).

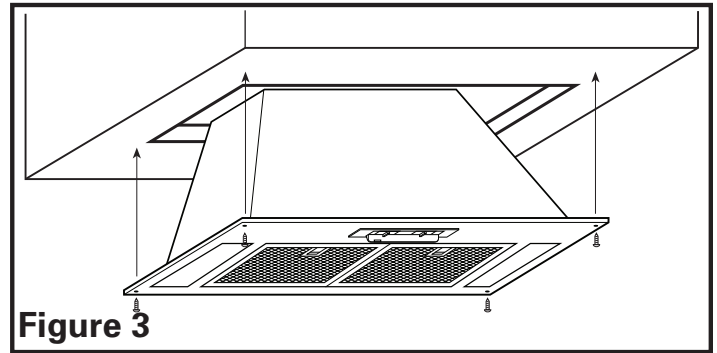


Figure 3

REMARQUE : Si un revêtement Air King facultatif n'est pas utilisé ; utilisez le matériel approprié pour installer l'unité en place, en veillant à vous conformer à tous les codes locaux et nationaux de bâtiment.

AVERTISSEMENT : ASSUREZ-VOUS QUE LA SURFACE SUR LAQUELLE VOUS INSTALLEZ L'UNITÉ DE PUISSANCE EST CAPABLE DE SUPPORTER LE POIDS DE L'UNITÉ. AUTREMENT VOUS AUREZ BESOIN DE RENFORCER CETTE RÉGION.

SECTION 5

Conduits

AVERTISSEMENT : TOUS LES CONDUITS DOIVENT ÊTRE CONFORMES AUX CODES LOCAL ET NATIONAL DU BÂTIMENT.

AVERTISSEMENT : POUR RÉDUIRE LES RISQUES D'INCENDIE UTILISER UNIQUEMENT DES CONDUITS EN MÉTAL.

- Installez le collet de conduit sur la hotte avec les deux vis #6 à tête époincée (Figure 4).

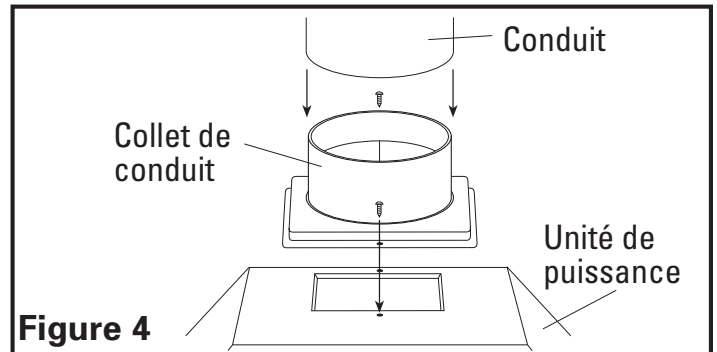


Figure 4

- Quand il y a accès au dessus de l'unité, reliez la canalisation au collier de conduit et fixez-la en place en utilisant un ruban adhésif pour sceller tous les joints (Figure 4).
- Quand il n'y a aucun accès au dessus de la hotte, abaissez soigneusement le conduit en métal par le trou à la base de la hotte. Glissez ce conduit au-dessus du collier de conduit. Assurez-vous que l'assemblage de la pièce d'ajustage / du clapet entre dans la canalisation. Scellez le raccordement avec le ruban adhésif de conduit.

REMARQUE : Pour réaliser la circulation d'air appropriée, vous avez besoin d'un conduit circulaire de 6 po. Le raccord de conduit est de 5,8 po de diamètre (pour un conduit circulaire de 6 po) avec le centre situé à 3-3/16 po du mur arrière.

AVERTISSEMENT : TOUJOURS ÉVACUER LE VENTILATEUR VERS L'EXTÉRIEUR AU TRAVERS DE CHAPEAU MURAL OU DE TOIT.

SECTION 6

Câblage

AVERTISSEMENT : TOUTES LES CONNEXIONS ÉLECTRIQUES DOIVENT ÊTRE FAITES EN CONFORMITÉ AVEC LES CODES LOCAUX, LES ORDONNANCES OU LE CODE ÉLECTRIQUE NATIONAL. SI VOUS N'ÊTES PAS FAMILIER AVEC LES MÉTHODES D'INSTALLATION DE CÂBLAGE ÉLECTRIQUE, RECOURREZ AUX SERVICES D'UN ÉLECTRICIEN QUALIFIÉ.

- Examinez le couvercle du compartiment de câblage et sélectionnez l'entrée des câbles la plus appropriée puis retirez l'alvéole défonçable. Passez le câble d'alimentation dans l'ouverture et installez un serre-câble approprié. Raccordez le fil blanc de l'unité de puissance au fil blanc de l'alimentation. Raccordez le fil noir de l'unité de puissance au fil noir de l'alimentation. Connectez le fil de mise à la terre de la résidence (vert ou cuivre nu) au fil de mise à la terre de l'unité de puissance (vert ou vert / jaune). Utilisez des méthodes de raccordement approuvées pour toutes les connexions (Figure 5).

SECTION 9

Maintenance

AVERTISSEMENT : ASSUREZ-VOUS QUE L'ALIMENTATION EST COUPÉE AU PANNEAU DE SERVICE AVANT D'EFFECTUER UN SERVICE SUR L'UNITÉ.

Filtres

- Des filtres anti-graisse en aluminium sont compris avec votre unité et ils doivent être lavés au moins une fois par mois. Les filtres vont au lave-vaisselle et doivent être lavés avec un détergent ou savon doux.
- Pour retirer les filtres, tirez l'onglet de la poignée vers le bas jusqu'à ce que les filtres se dégagent de l'unité. Pour réinstaller, glissez l'onglet à l'arrière du filtre dans la fente dans l'unité. Tout en maintenant la poignée ou le filtre, soulevez le filtre en place et relâchez la poignée. Le filtre doit cliquer solidement en place (**Figure 8**).

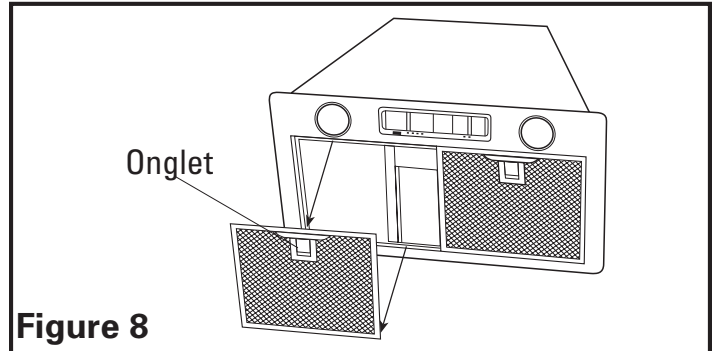


Figure 8

- Si les filtres anti-graisse deviennent endommagés, les remplacer avec les filtres anti-graisse modèle SVGF-03 de Air King.

Changement de la lampe

Enlevez le couvercle de la lampe sur le dessous de la hotte et enlevez la lampe en la basculant doucement dans les deux sens tout en appliquant la pression extérieure pour libérer la lampe de la base. Remplacez par le modèle Air King 18WFB ou une lampe compatible CFM18W/GX24Q/835.

Modèle Sylvania : 20877

Modèle Phillips : 26820

Fusible

Pour remplacer le fusible, tournez le bouchon du fusible situé à côté du connecteur de fil dans le sens des aiguilles d'une montre et retirez-le. Remplacez par un fusible Bussman MDA 125-Volt, 1,5 ampères au maximum. Réinstallez le fusible de nouveau dans la hotte.

Nettoyage

AVERTISSEMENT : NE PAS UTILISER D'ESSENCE, DE BENZÈNE, DE DILUANT, DE NETTOYEUR FORT, ETC., PUISQUE CEUX-CI PEUVENT ENDOMMAGER LA HOTTE DE CUISINE.

- Nettoyez votre unité de puissance avec du détergent doux, tel que du liquide pour la vaisselle, puis séchez-le avec un chiffon doux. **NE JAMAIS UTILISER D'ABRASIF OU DE POUDRE À RÉCURER.** Séchez complètement avant de restaurer l'alimentation. **NE JAMAIS IMMERGER DES PIÈCES ÉLECTRIQUES DANS L'EAU.**
- L'assemblage du ventilateur peut être passé à l'aspirateur au cas où un amas (saleté, peluche, etc.) se serait accumulé avec le temps. Le ventilateur est lubrifié en permanence et ne nécessite pas d'huile.

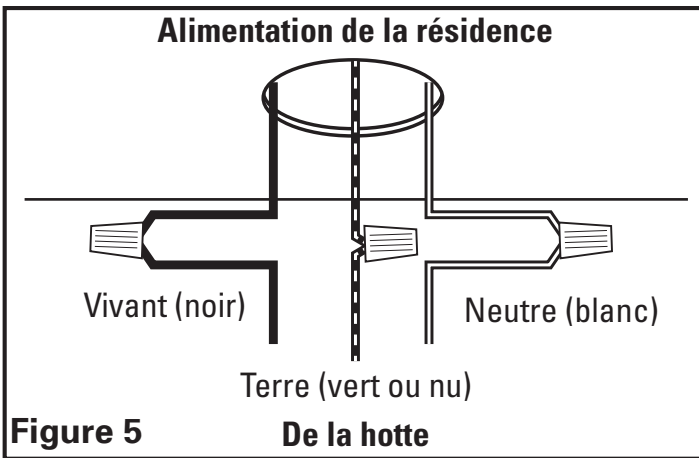


Figure 5 De la hotte

- Fixez le compartiment de câblage à l'unité de puissance avec deux des vis #6 à tête épointée comprises (**Figure 6**).

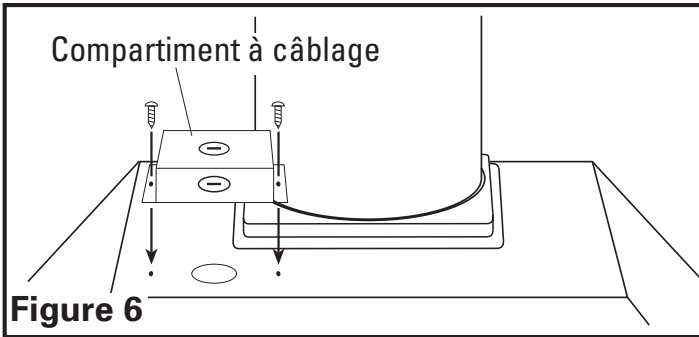


Figure 6

SECTION 7

Terminer l'installation

- Retirez toute pellicule plastique collée sur l'unité de puissance.
- Enlevez les couvertures d'objectif, installez les deux lampes fluorescentes compactes de 18 watts incluses en insérant entièrement la base de lampe dans le support de lampe, et remplacez les couvertures d'objectif.
- Tournez les interrupteurs à leur position Éteinte (●) et rétablissez l'alimentation. Testez que la lumière et le ventilateur fonctionnent adéquatement.
- S'il y a n'importe quel bruit de vibration, vérifiez la source et essayez de serrer les attaches, d'ajuster la bande pour faire un raccordement ou un joint plus serré, ou vérifiez que le clapet de collier de hotte, le clapet de mur ou le clapet de plafond s'ouvrent correctement.

SECTION 8

Operation

Contrôles

Votre hotte de cuisine est munie de deux commutateurs à glissoire dont l'un commande l'éclairage et l'autre commande le ventilateur d'évacuation. Le contrôle de la lampe a deux positions, ALLUMÉ (I) et ÉTEINT (O). Le ventilateur est muni d'un commutateur à quatre positions, HAUT (III), MOYEN (II), BAS (I) et ÉTEINT (●) (**Figure 7**).

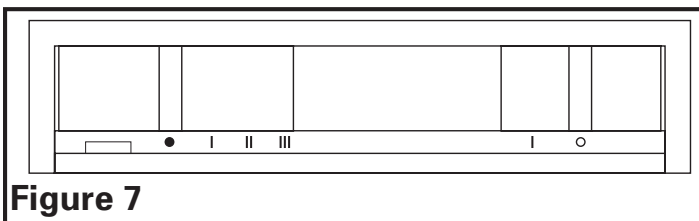


Figure 7

Guide de dépannage

Trouble	Cause possible	Solution suggérée
1. La hotte ne fonctionne pas lorsque l'interrupteur est à EN (ON).	1a. Un fusible peut être grillé ou un disjoncteur peut être déclenché. 1b. Le câblage n'est pas raccordé correctement.	1a. Remplacer le fusible ou réinitialiser le disjoncteur. 1b. Couper l'alimentation de l'unité. Vérifier que tous les fils sont raccordés.
2. La hotte fonctionne, mais l'air circule plus lentement que la normale.	2. Obstruction dans les conduits d'évacuation.	2. Vérifier pour quelque obstruction dans les conduits incluant le filtre.
3. La hotte produit un son de crécelle.	3a. Les filtres sont lâches 3b. Le raccord des conduits est lâche. 3c. Le clapet est coincé.	3a. Couper l'alimentation à l'unité. Vérifier que tous les filtres sont bien fixés. 3b. Couper l'alimentation de l'unité. Vérifier que tous les raccords des conduits sont bien serrés. 3c. Coupez le courant à l'unité. Vérifiez que le clapet s'ouvre librement.

GARANTIE LIMITÉE

CE QUE COUVRE CETTE GARANTIE : Ce produit est garanti contre tout vice de fabrication ou de matière.

COMBIEN DE TEMPS CETTE GARANTIE DURE : Cette garantie se rapporte seulement à l'acheteur original du produit et dure pendant une (1) année de la date de l'achat original ou jusqu'à ce que l'acheteur original du produit vend ou transfère le produit, celui qui se produit en premier.

QUE FERA AIR KING : Au cours de la période de garantie, Air King, à son choix, réparera ou remplacera n'importe quelle partie ou pièces qui s'avèrent défectueuses ou remplacera le produit entier par le même modèle ou un modèle comparable.

CE QUE CETTE GARANTIE NE COUVRE PAS : Cette garantie ne s'applique pas si le produit était endommagé ou arrête de fonctionner en raison d'un accident, d'une mauvaise manipulation ou opération, de dommages d'expédition, d'abus, de mauvaise utilisation, de réparation faite ou tentées non autorisées. Cette garantie ne couvre pas les coûts d'expédition pour le retour des produits à Air King pour la réparation ou le remplacement. Air King payera les frais d'expédition de retour de Air King après les réparations ou le remplacement de garantie.

TOUTES LES GARANTIES, EXPRESSES OU TACITES (COMPRENANT, SANS LIMITATION, TOUTE GARANTIE TACITE DE VALEUR MARCHANDE), DURENT UN AN DE LA DATE DE L'ACHAT ORIGINAL OU JUSQU'À CE QUE L'ACHETEUR ORIGINAL DU PRODUIT VEND OU TRANSFÈRE LE PRODUIT, CELUI QUI SE PRODUIT EN PREMIER ET DANS AUCUN CAS AIR KING N'ASSUME AUCUNE RESPONSABILITÉ EXPRESSE OU TACITE POUR (I) DES DOMMAGES ACCIDENTELS OU INDIRECTS DE N'IMPORTE QUELLE CAUSE, OU (II) LE REMPLACEMENT OU LA RÉPARATION DE TOUS FUSIBLES, DISJONCTEURS OU RÉCEPTACLES DE MAISON. MALGRÉ N'IMPORTE QUOI À L'EFFET CONTRAIRE, DANS AUCUN CAS LA RESPONSABILITÉ D'AIR KING, SOUS UNE GARANTIE EXPRESSE OU TACITE, NE DÉPASSERA LE PRIX D'ACHAT DU PRODUIT ET UNE TELLE RESPONSABILITÉ SE TERMINERA AVEC L'EXPIRATION DE LA PÉRIODE DE GARANTIE.

Certains états et provinces ne permettent pas les limitations de la période de garantie, ou l'exclusion ou la restriction des dommages accidentels ou indirects, et, par conséquent, les présentes restrictions ne peuvent pas s'appliquer. La présente garantie vous donne des droits légaux spécifiques et peut-être certains autres droits qui peuvent varier selon la province. La preuve d'achat est exigée avant qu'une réclamation de garantie ne soit acceptée.

SERVICE À LA CLIENTÈLE :

Sans frais (800) 465-7300

Notre équipe de service à la clientèle est disponible pour vous aider avec des questions sur le produit, les adresses des centres de service, et les pièces de rechange. Vous pouvez la rejoindre, du lundi au vendredi, de 8h:00 à 16h:00 HNE. Veuillez avoir le numéro du modèle disponible, ainsi que le genre et le style (qui se trouvent sur l'étiquette à l'intérieur de votre produit).

Veuillez ne pas renvoyer le produit à l'endroit de l'achat.

www.airkinglimited.com

IL SE PEUT QUE LES PIÈCES POUR LES PRODUITS DISCONTINUÉS, OBSOLÈTES ET AUTRES PRODUITS NE SOIENT PAS DISPONIBLES. POUR DES RAISONS DE SÛRETÉ, BEAUCOUP DE COMPOSANTS ÉLECTRONIQUES ET LA PLUPART DES COMPOSANTS DES CHAUFFAGES NE SONT PAS À LA DISPOSITION DES CONSOMMATEURS POUR L'INSTALLATION OU LE REMPLACEMENT.

Installateur : _____

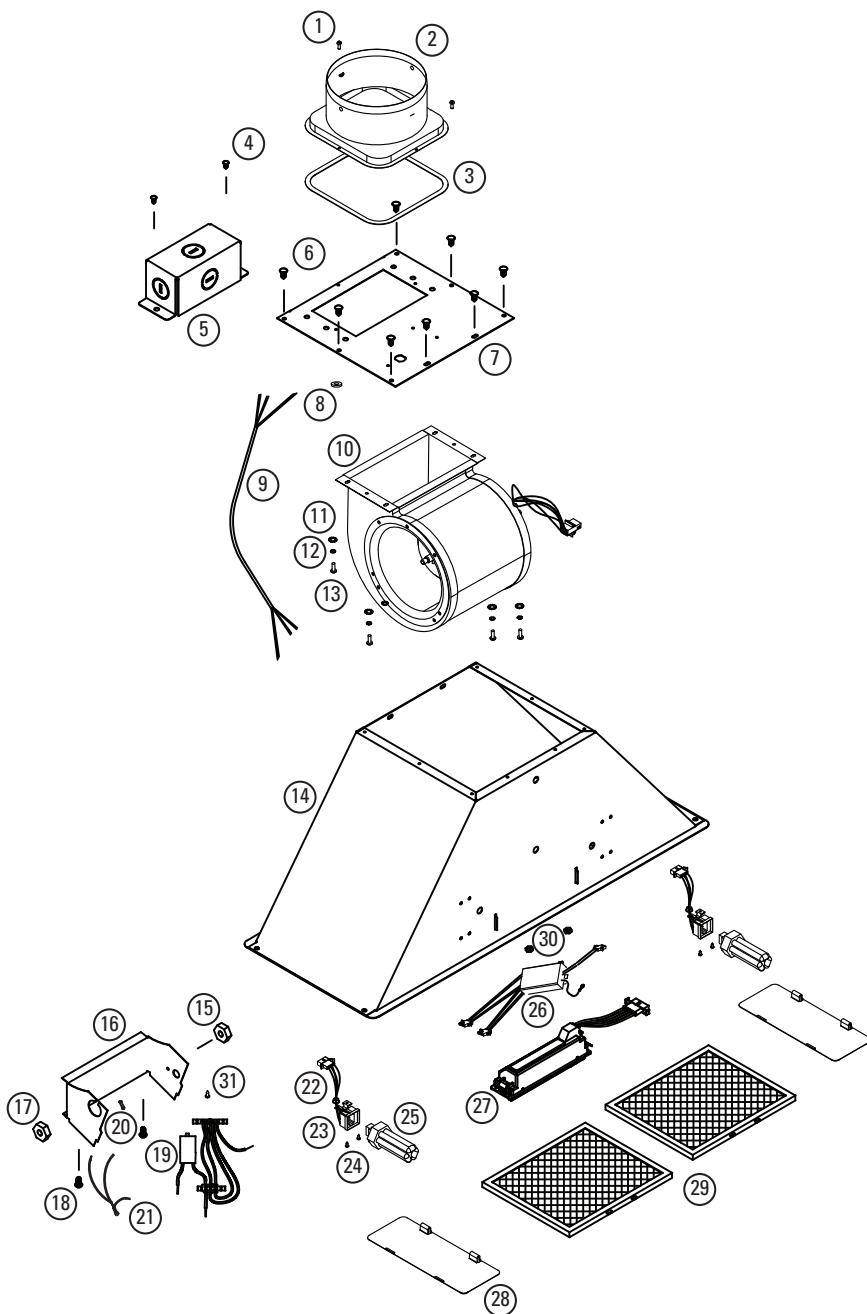
Date d'installation : _____

Endroit de l'achat : _____

Numéro de modèle : _____

TABLEAU DES PIÈCES DE RECHANGE

#	Qté.	Description	# de pièce de remplacement
1	2	Vis	5S1999010
2	1	Assemblage de collier	5S5299100
3	1	Ampoule	5S1202054
4	2	Vis	5S1999010
5	1	Compartiment à câblage	5S1137003
6	10	Vis	5S1999111
7	1	Plaque de ventilateur	5S1137002
8	1	Réducteur de tension	5S1999250
9	1	Harnais principal	5S1137049
10	1	Assemblage de ventilateur	5S1140018
11	4	Rondelle	5S1137009
12	4	Rondelle de sécurité	5S1999251
13	4	Vis de montage	5S1999112
14	1	Châssis - ESSEV28	5S1137010
	1	Châssis - ESSEV30	5S1137011
15	1	Bague petit	5S1137039
16	1	Coffret de branchement	5S1137040
17	1	Bague grand	5S1999252
18	2	Vis	5S1137040
19	1	Harnais du condensateur	5S2137004
20	1	Fusible	5S1140021
21	1	Porte-fusible	5S1999253
22	2	Câble de support de lampe	5S1111010
23	2	Support de lampe	5S1111016
24	4	Vis	5S1999111
25	2	Lampe fluorescente de 18 watts	5S1999254
26	1	Harnais du ballast	5S1137012
27	1	Assemblage de Interrupteur à glissière	5S1112037
28	2	Couvercle de lentille	5S1112011
29	2	Filtre anti-graisse	5S1137041
30	2	Écrous hexagonaux	5S1999115
31	1	Vis	5S1999009



REMARQUE