



SPECIFICATIONS

AS54

EXHAUST FAN



50 CFM/3.0 Sones @ 0.10" SP., 40.5 Watts

Grill

White, polymeric grill secured in place with torsion springs; easily removed if necessary, dimensions - 10" x 9 1/2".

Blower Wheel

One piece polymeric wheel, 4 1/2" diameter, 1" wide, with 10 fins.

Motor

Single coil plug-in, two pole motor, life time lubrication, thermally protected. Rated 120 volts, 60 hz.

Fan Housing

23 gauge galvanized metal housing, dimensions 7 1/4" x 7 1/4" x 4 3/4", double metal thickness mounting tabs.

Duct Collar

Plastic collar for 4" duct connection, comes complete with built in non-metallic back draft damper for quiet operation.

Ventilating Area

For bathrooms up to 50 sq. ft. for other rooms up to 60 sq. ft.

Unit Mounting

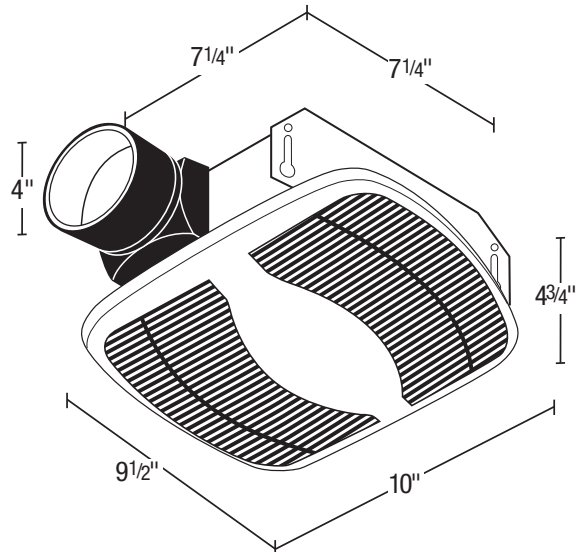
Rated for ceilings insulated to R-40. Designed to mount in ceilings with at least 5" of clearance. The housing will mount through drywall thickness up to 3/4", with a rough-in opening of 7 1/2" x 7 1/2".

Single Pack Shipping Info

Box Dim: 11" x 10 3/8" x 5 3/4"

UPC: 0-8316293012-5

Shipping Weight: 4 1/2 lbs.



Acceptable for use over tub or shower when installed in a GFCI protected branch circuit.



EXPANDED PERFORMANCE

	Static Pressure (inches of w.g.)							Sones @ .1 SP	Sones @ .25 SP	Fan Speed RPM	Power Watts
	0	0.05	0.1	0.125	0.15	0.2	0.25				
Air Flow - CFM	57	53	50	49	47	43	39	3.0	3.0	2176	40.5

PROJECT				ARCHITECT					
LOCATION				ENGINEER					
CONTRACTOR				SUBMITTED BY			DATE		
FAN NUMBER	MODEL NUMBER	CFM	IN W.G.	RPM	WATTS	AMPS	SONES	QTY	OPTIONAL EQUIPMENT & REMARKS



U.S.: 820 Lincoln Avenue
West Chester, Pennsylvania 19380-4466
Tel: (610) 692-7400 • 877-304-3785
Fax: (610) 696-8048

Canada: 8 Edvac Drive
Brampton, Ontario L6S 5P2
Tel: (905) 456-2033
Fax: (905) 456-1015