

IMPORTANT INSTRUCTIONS - OPERATING MANUAL

Models: AIK14X, AIK16X, AIK24Y, AIK26Y,
AIF4X, AIF6Y, AIF8X, AIF10X,
AIG4, AIG6



In-Line Exhaust Fan

READ AND SAVE THESE INSTRUCTIONS

READ CAREFULLY BEFORE ATTEMPTING TO ASSEMBLE, INSTALL, OPERATE OR MAINTAIN THE PRODUCT DESCRIBED. PROTECT YOURSELF AND OTHERS BY OBSERVING ALL SAFETY INFORMATION. FAILURE TO COMPLY WITH INSTRUCTIONS COULD RESULT IN PERSONAL INJURY AND/OR PROPERTY DAMAGE!

RETAIN INSTRUCTIONS FOR FUTURE REFERENCE.

GENERAL SAFETY INFORMATION

When using electrical appliances, basic precautions should always be followed to reduce the risk of fire, electric shock and injury to person, including the following:

WARNING: TO REDUCE THE RISK OF FIRE, ELECTRIC SHOCK AND INJURY TO PERSON, OBSERVE THE FOLLOWING:

- a) Use this unit only in the manner intended by the manufacturer. If you have questions, contact the manufacturer.
- b) Before servicing or cleaning the unit, switch power off at service panel and lock the service disconnecting means to prevent power from being switched on accidentally. When the service disconnecting means cannot be locked, securely fasten a prominent warning device, such as a tag, to the service panel.

WARNING: TO REDUCE THE RISK OF FIRE, ELECTRIC SHOCK AND INJURY TO PERSON, OBSERVE THE FOLLOWING:

- a) Installation work and electrical wiring must be done by qualified person(s) in accordance with all applicable codes and standards, including fire-related construction.
- b) Sufficient air is needed for proper combustion and exhausting of gases through the flue (chimney) of fuel burning equipment to prevent back drafting. Follow the heating equipment manufacturer's guideline and safety standards such as those published by the National Fire Protection Association (NFPA) and the American Society for Heating, Refrigeration, and Air Conditioning Engineers (ASHRAE), and the local code authorities.
- c) When cutting or drilling into wall or ceiling, do not damage electrical wiring and other hidden utilities.

- d) Ducted fans must always be vented to the outdoors.
- e) If this unit is to be installed over a tub or shower, it must be marked as appropriate for the application and be connected to a GFCI (Ground Fault Circuit Interrupter) - protected branch circuit.
- f) This unit must be grounded.
- g) To avoid motor bearing damage and noisy and/or unbalanced impellers, keep drywall spray, construction dust, etc. off power unit.
- h) Suitable for use with electronic speed control device.
- i) Do not install into ceilings thermally insulated to a value greater than R40.

CAUTION: FOR GENERAL VENTILATING USE ONLY. DO NOT USE TO EXHAUST HAZARDOUS OR EXPLOSIVE MATERIALS AND VAPORS.

WARNING: DO NOT USE IN KITCHENS.

- k) Read all instructions before installing or using exhaust fan.

SAVE THESE INSTRUCTIONS

INSTALLATION INSTRUCTIONS

CAUTION: MAKE SURE POWER IS SWITCHED OFF AT SERVICE PANEL BEFORE STARTING INSTALLATION.

SECTION 1

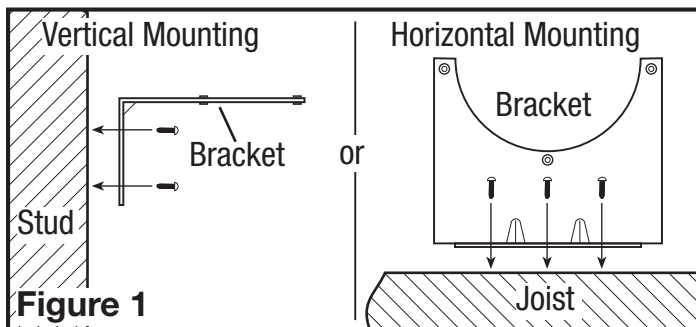
Preparing the Exhaust Fan

- When selecting fan mounting location, the following criteria should be considered:
 - Mounting to minimize noise generated by fan operation:** Mounting the fan as far as possible from the intake point will minimize fan operating noise from being transmitted back through the duct work. If the fan is to be used as a booster for moving the air between two rooms, a central point along the duct may be optimal. Insulated flexible type duct work (recommended for all bathroom exhaust applications) will result in much quieter operation. It is recommended that a minimum 8' of insulated flexible ducting be used between any exhaust grill and fan for low noise level.
 - Service accessibility:** Fan location should allow sufficient access for service.

SECTION 2

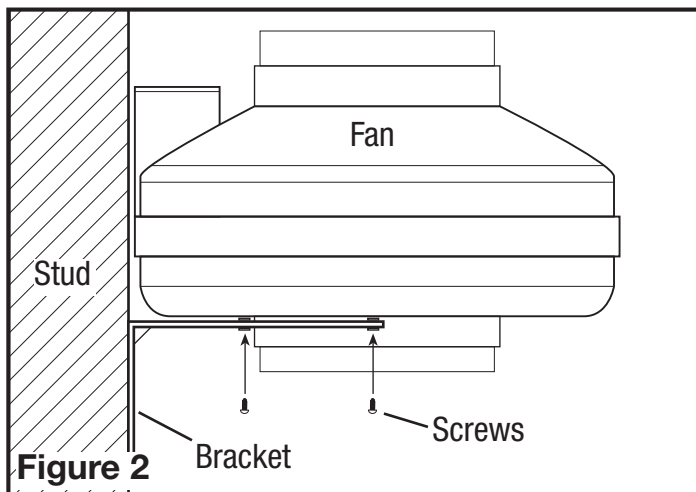
Installing the Fan

- Using the 1" wood screws provided, attach the fan mounting bracket to a support beam at the selected location (**Figure 1**).



NOTE: Fan mounting can be at any point along the duct and in any angle, however, vertical mounting is recommended to reduce condensation buildup in the fan. If a horizontal installation is necessary and condensation buildup may pose a problem, wrap insulation around the fan to minimize buildup.

- Attach fan to the mounting bracket with the three 7/16" sheet metal screws provided, making sure the wiring box is positioned for easy access (**Figure 2**).

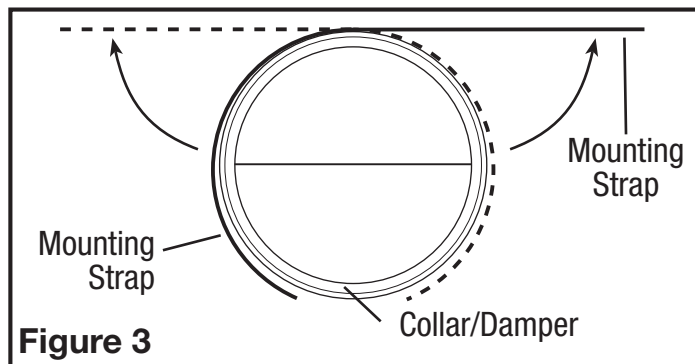


NOTE: Bracket is provided with rubber vibration isolation grommets to prevent the transmission of sound through the structure. Be careful not to over tighten. Also, care should be taken not to strip the plastic housing. Screws are self tapping and do not require pilot holes. Pilot holes no larger than 1/16" can be used to ease the installation however.

SECTION 3

Installing Supply/Exhaust Grill

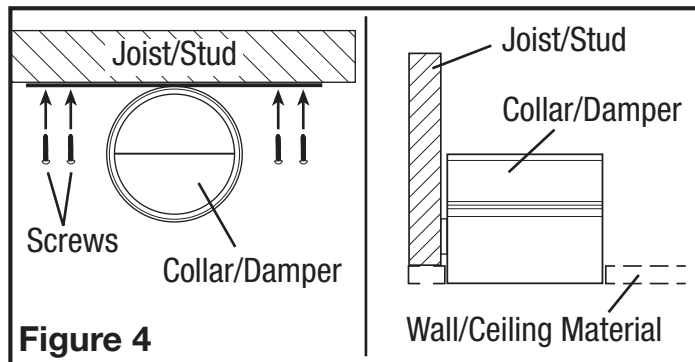
- Select the grill mounting point within the area to be ventilated that does not interfere with a ceiling joist. To ease installation, locations of framing beams within the walls or joists supporting the ceiling should be considered. Collar/damper is provided with a perforated hanging strap for attachment directly to a beam or joist. Allow sufficient space between the collar/damper and the beam to attach the duct work. If the location of the grill does not allow direct attachment, a cross-member mounted to the framing should be used.
- Bend the mounting straps attached to the collar outward so they are straight across (**Figure 3**).



SECTION 4

New Construction

- Install the collar/damper in the selected location using the provided 1" wood screws through the mounting strap. The mounting height is determined by the thickness of the final wall/ceiling material. Ensure that the edge of the collar/damper will be flush with the finished wall/ceiling material (**Figure 4**).



- Once the wall/ceiling material is in place, install the grill into the collar by pushing it firmly inward towards the collar until it fits flush against the wall/ceiling material (**Figure 5**).

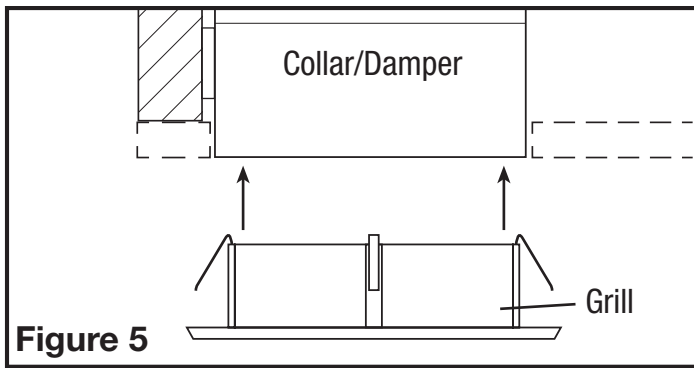


Figure 5

SECTION 5 Existing Construction

1. Place the collar/damper in the selected location and trace a circle onto the surface. From the interior side of the room, cut through the surface. Please note: Take care not to damage the ceiling and make a smooth cut (**Figure 6**).

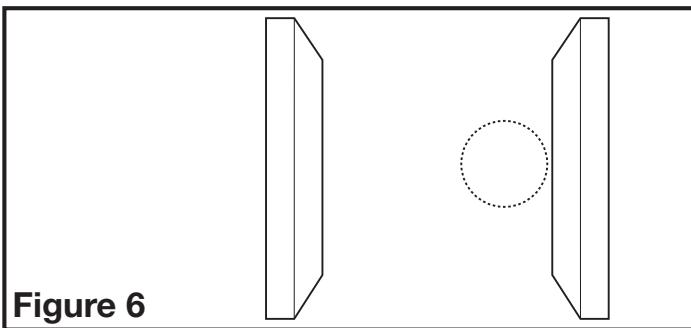


Figure 6

2. Position the collar/damper in the previously cut hole so that it is flush with the finished ceiling and secure to the joist/stud using the provided 1" wood screws through the mounting strap (**Figure 4**).
3. Install the grill into the collar by pushing it firmly inward towards the collar until it fits flush against the wall/ceiling material (**Figure 5**).

SECTION 6 Ducting

CAUTION: ALL DUCTING MUST COMPLY WITH LOCAL AND NATIONAL BUILDING CODES.

NOTE: Insulated ducting is required for bathroom exhaust applications, where ducting passes through unconditioned space or where noise is a factor. Failure to use insulation could result in excessive condensation buildup within the duct, and undesirable sound levels within the room. Duct runs should have as few bends as possible.

NOTE: Flexible insulated ducting may be used where allowed by local code. For the quietest possible installations, it is recommended a minimum of 8' of insulated flexduct be used between any exhaust grill and fan. When using flexible type duct work, duct should be stretched as tight and straight as possible. Failure to do so could result in dramatic loss of system performance. Flexible duct should be connected to the fan with screw clamps or duct tape. All connections should be as airtight as possible to maximize system performance.

1. Connect one end of the ducting (not included) to the room level collar/damper and the other end to the "Y" transition. Secure both ends in place using tape or a screw clamp to create as air tight a seal as possible. Repeat this step for the other room level grill housing (**Figure 7**).

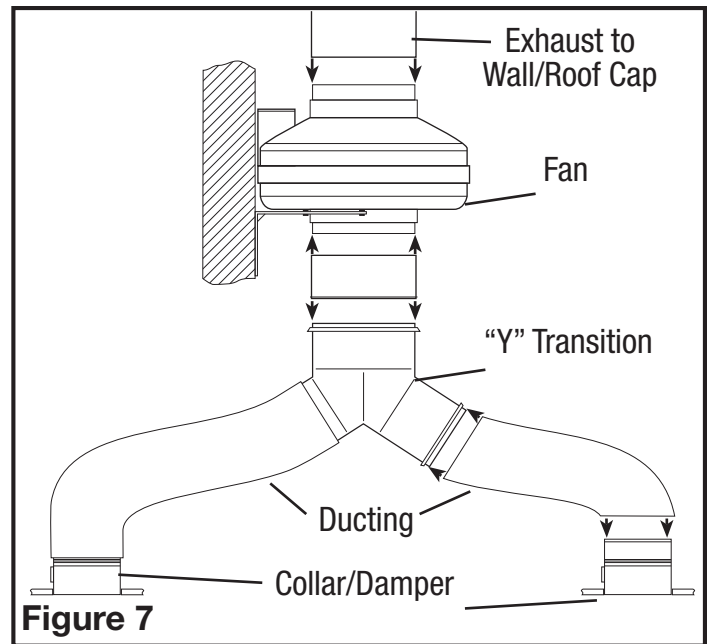


Figure 7

NOTE: Units that include only one collar do not utilize the "Y" transition. Follow the same instructions as in step 1, except connect the one end of the ducting directly to the fan.

2. Connect one end of the ducting to the top of the "Y" transition and the other end to the intake of the fan (**Figure 7**).
3. Connect one end of the ducting to the exhaust of the fan and the other end to a wall or ceiling cap (**Figure 7**). Always duct the fan to the outside through a wall or roof cap.

NOTE: When using insulated flex duct, it is recommended that the inner vinyl core be screw clamped or taped to the inlet and outlet and that the vapor barrier surrounding the insulation be taped to the fan housing.

NOTE: When attaching flex duct to the collar/damper combination and an immediate elbow is necessary, be certain that the elbow is installed with a "soft" bend to allow damper blades to operate properly.

SECTION 7 Installing Optional Balancing Damper

Some kits include an optional balancing damper to allow for adjustment of the system. The damper may be used where the grills will be connected using branches of unequal length or where the flow will need to be balanced for any reason. To install the optional damper:

1. The damper must be installed on the branch with the least restriction. This is generally the duct that is shortest or has the fewest bends.
2. Drill a 5/16" hole approximately 1-1/2" from the edge on the flat side of the "Y" transition.
3. Insert the shaft of the damper into the hole drilled in step 2. Place the washer, handle, then wing nut onto the shaft (**Figure 8**).

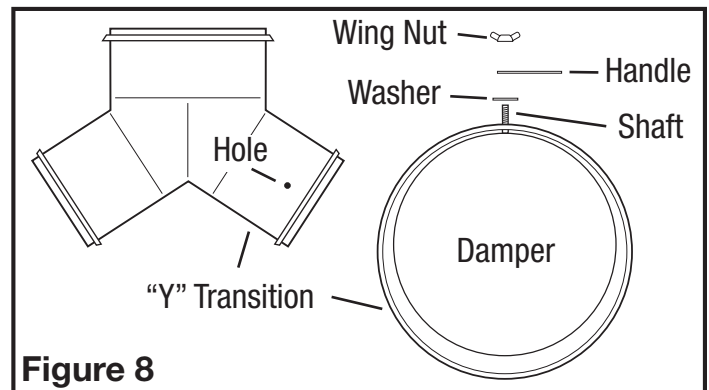


Figure 8

- Adjust the damper to balance airflow and tighten the wing nut to secure.

SECTION 8

Wiring the Fan

CAUTION: MAKE SURE POWER IS SWITCHED OFF AT SERVICE PANEL BEFORE STARTING INSTALLATION.

CAUTION: ALL ELECTRICAL CONNECTIONS MUST BE MADE IN ACCORDANCE WITH LOCAL CODES, ORDINANCES, OR NATIONAL ELECTRICAL CODE. IF YOU ARE UNFAMILIAR WITH METHODS OF INSTALLING ELECTRICAL WIRING, SECURE THE SERVICES OF A QUALIFIED ELECTRICIAN.

- Remove the screws securing the terminal box cover plate located on the side of the motor (**Figure 9**).

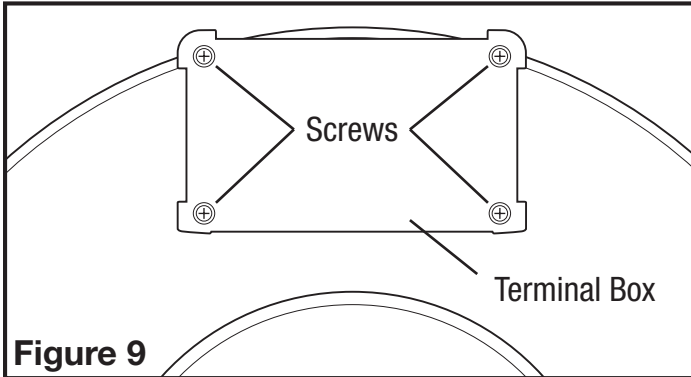


Figure 9

- Run wiring from an approved wall switch carrying the appropriate rating. One neutral (white) and one hot (black lead connected to the switch). Secure the electrical wires to the housing with an approved electrical connector. Make sure you leave enough wiring in the terminal box to make the connections to the fan's pre-wired electrical terminal strip.
- Insert the white wire from the house into the terminal strip port labeled "N" and tighten using a small regular screwdriver. Insert the black wire from the wall switch into the terminal strip port labeled "L" and tighten using a small regular screwdriver. Since the motor is isolated within a plastic housing, grounding is not necessary (**Figure 10**).

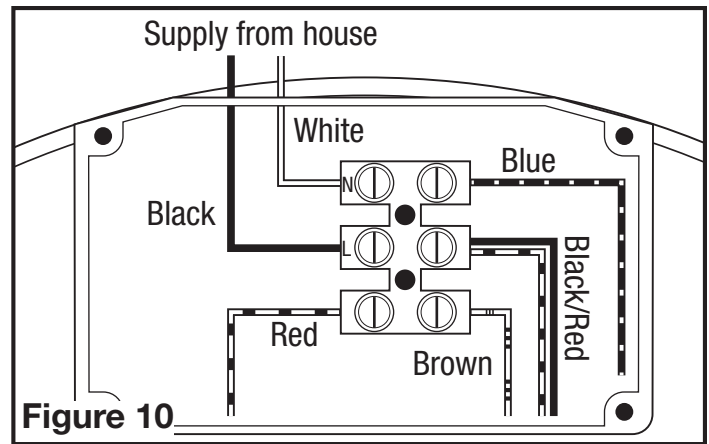


Figure 10

- Check to make sure all wire connections are securely fastened to the terminal strip and replace the fan terminal box cover.
- Restore power and test your installation.

SECTION 9

Use and Care

CAUTION: MAKE SURE POWER IS SWITCHED OFF AT SERVICE PANEL BEFORE SERVICING THE UNIT.

- Cleaning the Grill:** Remove grill and use a mild detergent, such as dishwashing liquid, and dry with a soft cloth. NEVER USE ANY ABRASIVE PADS OR SCOURING POWDERS. Completely dry grill before reinstalling. Refer to instructions in *Step 2* of **Section 4**, to reinstall grill.
- The fan's bearings are sealed and provided with an internal lubricating material, no additional lubrication is necessary.

Troubleshooting Guide

Trouble	Probable Cause	Suggested Remedy
1. Fan does not operate when the switch is on.	1a. A fuse may be blown or a circuit tripped. 1b. Wiring is not connected properly. 1c. Motor has stopped operating.	1a. Replace fuse or reset circuit breaker. 1b. Turn off power to unit. Check that all wires are connected. 1c. Replace motor.
2. Fan is operating, but air moves slower than normal.	2a. Obstruction in the exhaust ducting. 2b. Speed control not set high enough. 2c. Incorrect wiring.	2a. Check for any obstructions in the ducting. The most common are bird nests in the roof cap or wall cap where the fan exhausts to the outside. 2b. If a speed control is being used, confirm the setting. 2c. Turn off power to unit. Check that all wires are connected correctly.
3. Fan is operating louder than normal.	3a. Motor is loose. 3b. Fan mounting screws too tight. 3c. Fan damaged in shipping.	3a. Turn off power to unit. Confirm unit is mounted securely to bracket. Restore power to unit. 3b. Turn off power to the unit. Loosen screws going through rubber grommets 3c. Contact seller for replacement.

LIMITED WARRANTY

WHAT THIS WARRANTY COVERS: This product is warranted against defects in workmanship and/or materials.

HOW LONG THIS WARRANTY LASTS: This warranty extends only to the original purchaser of the product and lasts for one (1) year from the date of original purchase or until the original purchaser of the product sells or transfers the product, whichever first occurs.

WHAT AIR KING WILL DO: During the warranty period, Air King will, at its sole option, repair or replace any part or parts that prove to be defective or replace the whole product with the same or comparable model.

WHAT THIS WARRANTY DOES NOT COVER: This warranty does not apply if the product was damaged or failed because of accident, improper handling or operation, shipping damage, abuse, misuse, unauthorized repairs made or attempted. This warranty does not cover shipping costs for the return of products to Air King for repair or replacement. Air King will pay return shipping charges from Air King following warranty repairs or replacement.

ANY AND ALL WARRANTIES, EXPRESSED OR IMPLIED (INCLUDING, WITHOUT LIMITATION, ANY IMPLIED WARRANTY OF MERCHANTABILITY), LAST ONE YEAR FROM THE DATE OF ORIGINAL PURCHASE OR UNTIL THE ORIGINAL PURCHASER OF THE PRODUCT SELLS OR TRANSFERS THE PRODUCT, WHICHEVER FIRST OCCURS AND IN NO EVENT SHALL AIR KING'S LIABILITY UNDER ANY EXPRESS OR IMPLIED WARRANTY INCLUDE (I) INCIDENTAL OR CONSEQUENTIAL DAMAGES FROM ANY CAUSE WHATSOEVER, OR (II) REPLACEMENT OR REPAIR OF ANY HOUSE FUSES, CIRCUIT BREAKERS OR RECEPTACLES. NOTWITHSTANDING ANYTHING TO THE CONTRARY, IN NO EVENT SHALL AIR KING'S LIABILITY UNDER ANY EXPRESS OR IMPLIED WARRANTY EXCEED THE PURCHASE PRICE OF THE PRODUCT AND ANY SUCH LIABILITY SHALL TERMINATE UPON THE EXPIRATION OF THE WARRANTY PERIOD.

Some states and provinces do not allow limitations on how long an implied warranty lasts, or the exclusion or limitation of incidental or consequential damages, so these exclusions or limitations may not apply to you. This warranty gives you specific legal rights. You may also have other rights which vary from state to state and province to province. Proof of purchase is required before a warranty claim will be accepted.

CUSTOMER SERVICE:

Toll-Free (800) 465-7300

Our Customer Service team is available to assist you with product questions, service center locations, and replacement parts. They can be reached Monday through Friday, 8am-4pm Eastern. Please have your model number available, as well as the type and style (located on the label inside of your product).

Please do not return product to place of purchase.

www.airkinglimited.com

PARTS FOR DISCONTINUED, OBSOLETE AND CERTAIN OTHER PRODUCTS MAY NOT BE AVAILABLE. DUE TO SAFETY REASONS, MANY ELECTRONIC COMPONENTS AND MOST HEATER COMPONENTS ARE NOT AVAILABLE TO CONSUMERS FOR INSTALLATION OR REPLACEMENT.

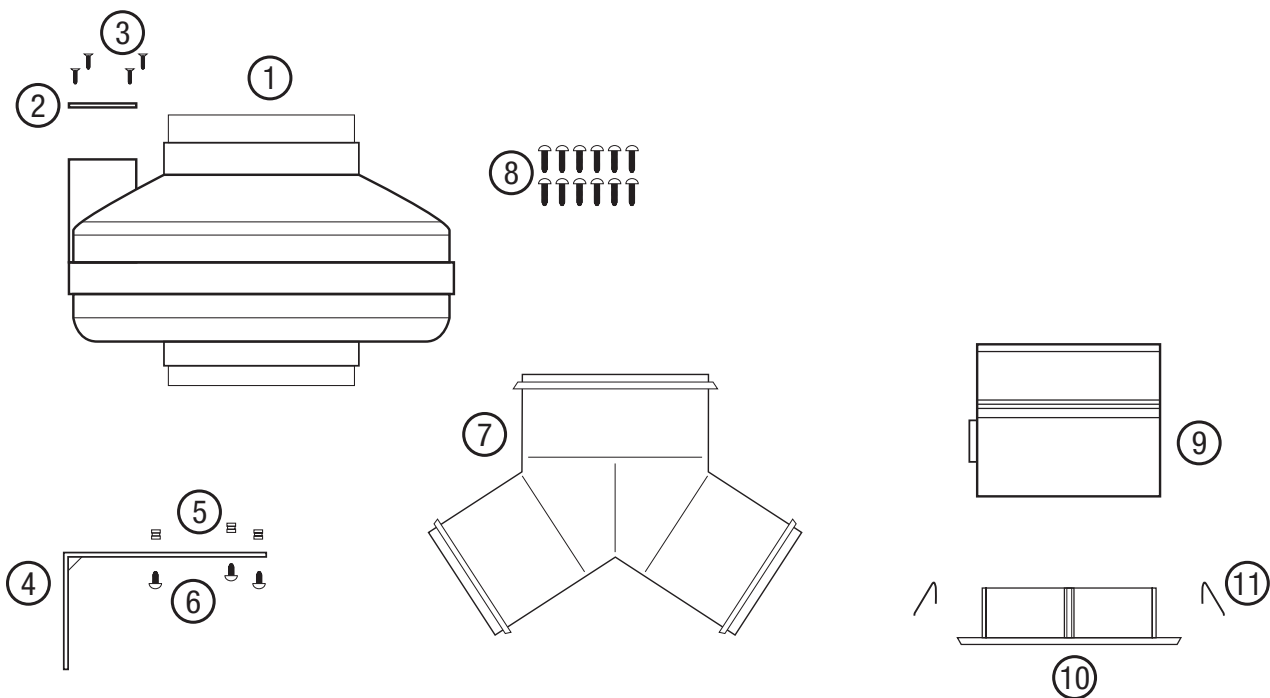
Installer: _____

Installation Date: _____

Place of Purchase: _____

Model Number: _____

REPLACEMENT PARTS DIAGRAM



Single Inlet Fan Kit Replacement Parts

#	Qty.	Description	Replacement Part #
1	1	Motor - AIK14X	5S7635000
	1	Motor - AIK16X	5S7635001
2	1	Cover Plate - AIK14X	5S7635029
	1	Cover Plate - AIK16X	5S7635030
3	2	Screw - AIK14X	5S7699021
	4	Screw - AIK16X	5S7699023
4	1	Mounting Bracket	5S7635035
5	3	Grommet	5S7699020
6	3	Screw	5S7699024
	8	Screw	5S7699022
9	1	Collar/Damper Assembly - AIK14X	5S7635039
	1	Collar/Damper Assembly - AIK16X	5S7635015
10	1	Grill - AIK14X	5S7635016
	1	Grill - AIK16X	5S7635017
11	4	Grill Spring	5S7635028

Dual Inlet Fan Kit Replacement Parts

#	Qty.	Description	Replacement Part #
1	1	Motor - AIK24Y	5S7635000
	1	Motor - AIK26Y	5S7635002
2	1	Cover Plate - AIK24Y	5S7635029
	1	Cover Plate - AIK26Y	5S7635030
3	2	Screw - AIK24Y	5S7699021
	4	Screw - AIK26Y	5S7699023
4	1	Mounting Bracket	5S7635035
5	3	Grommet	5S7699020
6	3	Screw	5S7699024
	7	1	Y Transition - AIK24Y
	1	Y Transition - AIK26Y	5S7635010
8	12	Screw	5S7699022
9	2	Collar/Damper Assembly - AIK24Y	5S7635039
	2	Collar/Damper Assembly - AIK26Y	5S7635015
10	2	Grill - AIK24Y	5S7635016
	2	Grill - AIK26Y	5S7635017
11	8	Grill Spring	5S7635028

Fan Replacement Parts

#	Qty.	Description	Replacement Part #
1	1	Motor - AIF4X	5S7635000
	1	Motor - AIF6X	5S7635001
	1	Motor - AIF8X	5S7635003
	1	Motor - AIF10X	5S7635004
2	1	Cover Plate - AIF4X	5S7635029
	1	Cover Plate - AIF6X	5S7635030
	1	Cover Plate - AIF8X, AIF10X	5S7635031
3	2	Screw - AIF4X	5S7699021
	4	Screw - AIF6X, AIF8X, AIF10X	5S7699023
4	1	Mounting Bracket - AIF4X, AIF6X	5S7635035
	1	Mounting Bracket - AIF8X, AIF10X	5S7635034
5	3	Grommet	5S7699020
6	3	Screw	5S7699024

Grill Replacement Parts

#	Qty.	Description	Replacement Part #
9	1	Collar/Damper Assembly - AIG4	5S7635039
	1	Collar/Damper Assembly - AIG6	5S7635015
10	1	Grill - AIG4	5S7635016
	1	Grill - AIG6	5S7635017
11	4	Grill Spring	5S7635028

INSTRUCTIONS IMPORTANTES – MODE D'EMPLOI

Modèles: AIK14X, AIK16X, AIK24Y, AIK26Y,
AIF4X, AIF6Y, AIF8X, AIF10X,
AIG4, AIG6

Air King
Ventilation Products®

Ventilateur d'évacuation
en série

LIRE ET CONSERVER CES INSTRUCTIONS

LIRE SOIGNEUSEMENT AVANT DE TENTER D'ASSEMBLER, INSTALLER, OPÉRER OU DE RÉPARER LE PRODUIT DÉCRIT. PROTÉ-
GEZ

VOUS-MÊME ET LES AUTRES EN OBSERVANT TOUTE L'INFORMATION DE SÉCURITÉ. FAILLIR À SE CONFORMER AUX
INSTRUCTIONS PEUT RÉSULTER EN BLESSURE PERSONNELLE GRAVE ET/OU EN DOMMAGE À LA PROPRIÉTÉ.

CONSERVER CES INSTRUCTIONS POUR RÉFÉRENCES FUTURES.

INSTRUCTIONS GÉNÉRALES DE SÉCURITÉ

Lors de l'utilisation d'appareils électriques, des précautions de base doivent
toujours être suivies pour réduire les risques d'incendie, de choc électrique et de
blessures corporelles, incluant ce qui suit:

AVERTISSEMENT : POUR RÉDUIRE LES RISQUES D'INCENDIE, DE CHOC ÉLECTRIQUE OU DE BLESSURES PERSONNELLES OBSERVER CE QUI SUIT :

- a) Utiliser cette unité seulement de la manière pour laquelle le fabricant l'a conçu. Si vous aviez des questions, veuillez contacter le fabricant.
- b) Avant d'effectuer un service ou de nettoyer l'unité, couper l'alimentation électrique dans le panneau de distribution et verrouiller le dispositif de déconnexion afin d'éviter que l'alimentation ne revienne accidentellement. Lorsque le dispositif ne peut être verrouillé, fixer solidement un avis d'avertissement, tel qu'une étiquette, au panneau de distribution.

AVERTISSEMENT : POUR RÉDUIRE LES RISQUES D'INCENDIE, DE CHOC ÉLECTRIQUE OU DE BLESSURES PERSONNELLES OBSERVER CE QUI SUIT :

- a) Le travail d'installation et le câblage électrique doivent être effectués par une(des) personne(s) qualifiée(s) en conformité avec tous les codes et normes applicables, incluant la construction relative aux incendies.
- b) De l'air en quantité suffisante est requis pour la bonne combustion et l'évacuation de gaz par le conduit (cheminée) provenant d'équipement de brûlage au combustible pour prévenir un refoulement. Suivre les directives du fabricant de l'équipement de chauffage et les normes de sécurité telles que celles publiées par la National Fire Protection Association (NFPA) et de la American Society for Heating, Refrigeration, and Air Conditioning Engineers (ASHRAE), et de celles des autorités locales du code.
- c) Lors de coupe ou de perçage des murs et plafonds, ne pas endommager le filage électrique et autres utilités cachées.

- d) Les ventilateurs avec conduits doivent toujours être évacués vers l'extérieur.
- e) Si cette unité doit être installée au-dessus d'une baignoire ou d'une douche, elle doit être marquée comme approprié pour l'application et être reliée à un GFCI (disjoncteur de fuite à la terre) - circuit électrique protégé.
- f) Cette unité doit être mise à la terre.
- g) Pour éviter des dommages aux roulements des moteurs et/ou des hélices bruyantes ou déséquilibrées, empêcher la poussière de cloison sèche, poussière de construction, etc., d'atteindre l'unité de puissance.
- h) Approprié pour l'usage avec le dispositif de commande électronique de vitesse.
- i) N'installez pas sur des plafonds thermiquement isolés à une valeur plus grande que R40.

AVERTISSEMENT : POUR USAGE DE VENTILATION GÉNÉRALE EXCLUSIVEMENT. NE PAS UTILISER POUR ÉVACUER DU MATÉRIEL ET DES VAPEURS DANGEREUSES OU EXPLOSIVES.

AVERTISSEMENT : NE PAS UTILISER DANS LES CUISINES

- k) Bien lire toutes les instructions avant d'installer ou d'utiliser le ventilateur d'évacuation.

CONSERVER CES INSTRUCTIONS

INSTRUCTIONS D'INSTALLATION

AVERTISSEMENT : VOUS ASSURER QUE L'ALIMENTATION EST COUPÉE AU PANNEAU DE SERVICE AVANT DE COMMENCER L'INSTALLATION.

SECTION 1

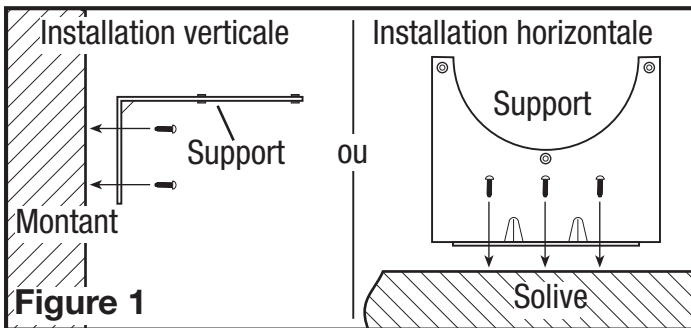
Préparation en prévision de l'installation du ventilateur

- Lorsque vous choisissez l'emplacement pour l'installation du ventilateur, les critères suivants doivent être pris en compte :
 - Installation visant à réduire le bruit généré par le fonctionnement du ventilateur** : L'installation du ventilateur aussi loin que possible du point d'entrée empêchera, en partie, le bruit de son fonctionnement d'être retransmis par le truchement du système de conduits. S'il est utilisé comme ventilateur de renfort pour assurer la distribution d'air entre deux pièces, un point central au long du système de conduit pourrait s'avérer optimal. Un système de conduit flexible isolé (recommandé pour toutes les installations de ventilateurs dans les salles de bain) procurera un fonctionnement beaucoup plus silencieux. Il est recommandé d'utiliser au moins 2,44 m de gaine flexible entre toute grille d'échappement et le ventilateur pour minimiser le niveau de bruit.
 - Accessibilité pour l'entretien** : L'emplacement du ventilateur devrait prévoir un accès suffisant pour l'entretien.

SECTION 2

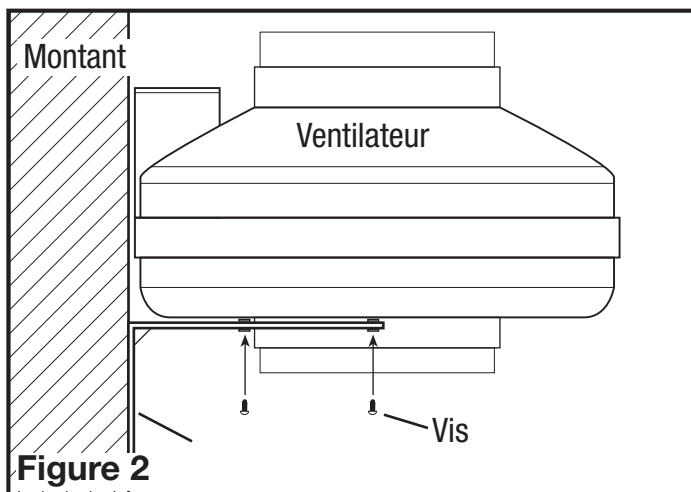
Installation du ventilateur

- En vous servant des vis à bois de 25 mm incluses, fixez le support de montage à un montant de support à l'emplacement choisi (**Figure 1**).



REMARQUE : Le ventilateur peut être installé à l'emplacement de votre choix le long du conduit, cependant, une installation verticale est recommandée afin de minimiser l'accumulation de condensation dans l'unité. Dans le cas où une installation horizontale s'avère nécessaire et que l'accumulation de condensation pourrait occasionner un problème, enveloppez le ventilateur d'isolant afin d'en minimiser l'accumulation.

- Fixez le ventilateur au support de montage en utilisant les trois vis à tête de 1,11 mm incluses, en vous assurant que la boîte de câblage soit facilement accessible (**Figure 2**).

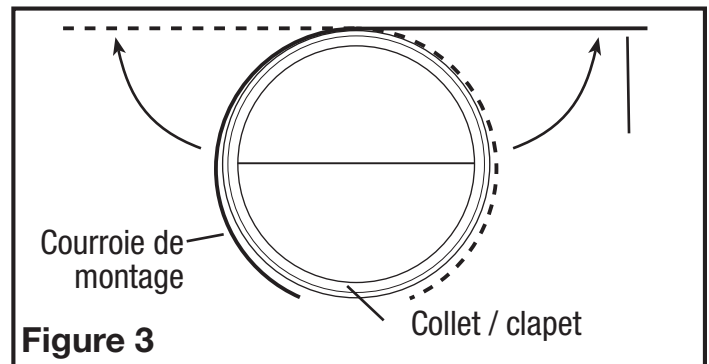


REMARQUE : Le support est muni de passe-câbles isolés en caoutchouc pour la vibration afin d'empêcher la transmission du son par le truchement de la structure. Prenez soin de ne pas trop serrer. De plus, assurez-vous de ne pas dénuder la gaine de plastique. Les vis sont autotaraudeuses et ne requièrent pas d'avant-trous. Cependant, des avant-trous n'excédant pas 1,52 mm peuvent être utilisés afin de faciliter l'installation.

SECTION 3

Installation de la grille d'échappement / d'arrivée

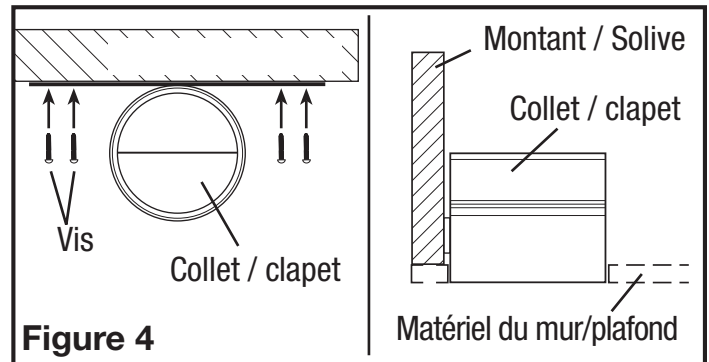
- Choisissez la ferrure d'attache au sein du secteur à être ventilé qui ne gêne pas une solive de plafond. Afin de faciliter l'installation, l'emplacement des poutres entre les murs ou les solives qui supportent le plafond devrait être pris en compte. Des collets / clapets sont inclus avec une courroie perforée de suspension pour fixer directement sur une poutre ou une solive. Assurez-vous de laisser suffisamment d'espace entre le collet / clapet et la poutre pour fixer le système de conduit. Si l'emplacement de la grille ne permet pas de la fixer directement, une traverse fixée au bâti devrait être utilisée.
- Pliez les courroies de montage fixées au collet vers l'extérieur de sorte qu'elles soient situées juste en face (**Figure 3**).



SECTION 4

Nouvelle construction

- Installez le collet / clapet dans l'emplacement choisi en fixant les vis à bois de 25,40 mm incluses, dans la courroie de montage. La hauteur de l'installation est déterminée par l'épaisseur finale du matériel du mur ou du plafond. Assurez-vous que le bord du collet / clapet soit au même niveau que le matériel du mur ou du plafond final (**Figure 4**).



- Une fois le matériel du mur/plafond en place, installez la grille dans le collet en la poussant fermement vers le collet jusqu'à ce qu'elle soit à effleurement du matériel du mur/plafond (**Figure 5**).

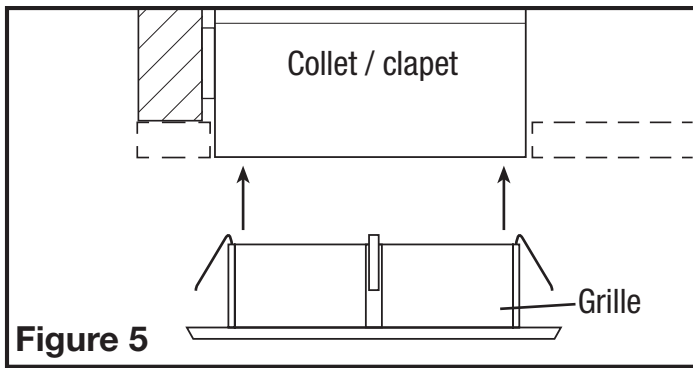


Figure 5

SECTION 5

Construction Existante

1. Placez le collet / clapet à l'emplacement choisi et tracez un cercle sur la surface. A partir du côté intérieur de la pièce, coupez au travers de la surface. Veuillez noter : Prenez soin de ne pas endommager le plafond et faites une coupe lisse (Figure 6).

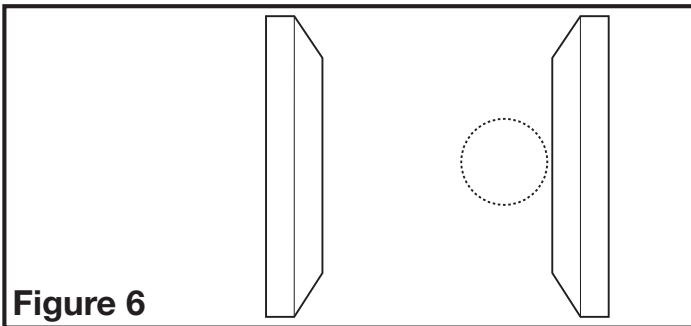


Figure 6

2. Placez le collet / clapet dans l'ouverture découpée de sorte qu'il soit à effleurement du plafond final et fixez-le à la solive / au montant en insérant les vis à bois de 25,40 mm incluses, au travers de la courroie de montage (Figure 4).
3. Installez la grille dans le collet en la poussant fermement vers le collet jusqu'à ce qu'elle soit à effleurement du matériau du mur / plafond (Figure 5).

SECTION 6

Conduit

AVERTISSEMENT : TOUS LES CONDUITS DOIVENT ÊTRE CONFORMES AVEC LES CODES DU BATIMENT LOCAUX ET NATIONAUX.

REMARQUE : Un conduit isolé est requis pour les installations d'évacuations de salles de bain, lorsque le conduit passe par un emplacement non climatisé ou dans un emplacement où le bruit représente un facteur important. Le fait de ne pas utiliser d'isolant pourrait entraîner une accumulation excessive de condensation au sein du conduit de même qu'un niveau de sonorité indésirable dans la pièce. Les courses de conduits devraient présenter aussi peu de coudes que possible.

REMARQUE : Des conduits isolés flexibles peuvent être utilisés là où le code local le permet. Pour des installations au niveau de sonorité le plus bas possible, il est recommandé d'utiliser au moins 2,44 m de conduit flexible entre toute grille d'échappement et ventilateur. Lors de l'utilisation de systèmes de conduit de type flexible, le conduit devrait être étiré aussi serré et droit que possible. Le cas contraire pourrait entraîner une baisse dramatique de rendement du système. Le conduit flexible devrait être rattaché au ventilateur à l'aide de serre-joints ou de ruban à conduits. Toutes les connexions devraient être aussi étanches que possible afin de maximiser le rendement du système.

1. Raccordez une extrémité du conduit (non inclus) au collet / clapet au niveau de la pièce et l'autre extrémité à l'embranchement en "Y". Fixez les deux extrémités en place en utilisant du ruban ou un serre-joint afin de créer un joint aussi étanche que possible. Répétez cette étape pour le châssis de la grille de l'autre pièce (Figure 7).

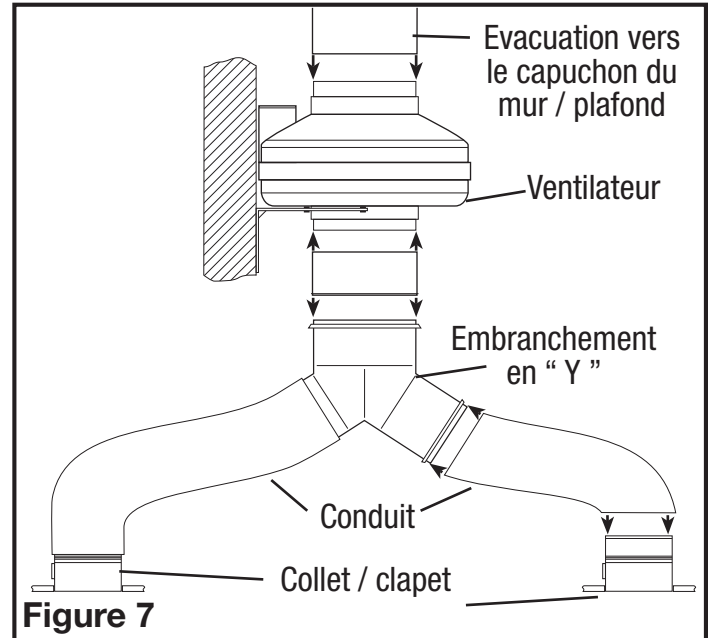


Figure 7

REMARQUE : Les unités qui incluent un seul collet n'ont pas besoin d'embranchement en "Y". Suivez les mêmes directives qu'à l'étape 1, sauf que vous raccordez l'extrémité du conduit directement au ventilateur.

2. Raccordez une extrémité du conduit à la partie supérieure de l'embranchement en "Y" et l'autre extrémité à la prise d'entrée du ventilateur (Figure 7).
3. Raccordez une extrémité du conduit à l'évacuation du ventilateur et l'autre extrémité à un capuchon de mur ou de plafond (Figure 7). Toujours canaliser le ventilateur vers l'extérieur par le biais d'un capuchon de mur ou de plafond.

REMARQUE : Lorsqu'un conduit isolé flexible est utilisé, il est recommandé de fixer l'âme de vinyle interne du trou d'entrée et de sortie à l'aide d'une vis de serrage ou de ruban adhésif et que le pare-vapeur entourant le revêtement isolant soit fixé à l'aide de ruban adhésif au châssis du ventilateur.

REMARQUE : Lorsqu'il est nécessaire de joindre un conduit flexible à l'ensemble collet / clapet et qu'un coude immédiat s'avère nécessaire, assurez-vous qu'il s'agisse d'un coude "flexible" de sorte à assurer le bon fonctionnement des lames du clapet.

SECTION 7

Installation d'un clapet d'équilibrage facultatif.

Certains ensembles incluent un clapet d'équilibrage facultatif permettant d'ajuster le système. Le clapet peut être utilisé là où les grilles seront fixées avec des conduits secondaires de longueurs inégales ou là où le débit devra être équilibré pour une raison ou une autre. Pour installer le clapet en option :

1. Le clapet doit être installé sur la branche secondaire la plus facilement accessible. Il s'agit habituellement du conduit le plus court ou de celui avec le moins de coudes.
2. Percez un trou de 7,94 mm à environ 38,1 mm du bord sur le côté plat de l'embranchement en "Y".
3. Insérez l'arbre du clapet dans le trou perforé à l'étape 2. Placez la rondelle, la poignée et ensuite l'écrou à oreille dans l'arbre (Figure 8).

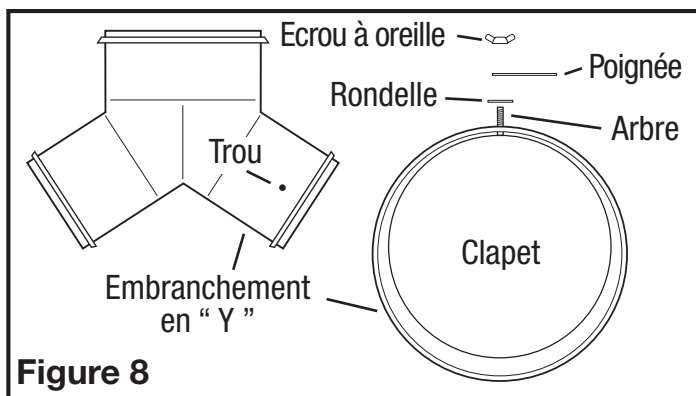


Figure 8

4. Ajustez le clapet de sorte à équilibrer le débit d'air et serrez l'écrou à oreille pour le fixer en place.

SECTION 8

Câblage du ventilateur

AVERTISSEMENT : VOUS ASSURER QUE L'ALIMENTATION EST COUPÉE AU PANNEAU DE SERVICE AVANT DE COMMENCER L'INSTALLATION.

AVERTISSEMENT : TOUTES LES CONNEXIONS DOIVENT ÊTRE FAITES EN CONFORMITÉ AVEC LES CODES ÉLECTRIQUES LOCAUX OU NATIONAUX. SI VOUS N'ÊTES PAS FAMILIER AVEC LES MÉTHODES D'INSTALLATION DE CÂBLAGE ÉLECTRIQUE, RECOURREZ AUX SERVICES D'UN ÉLECTRICIEN QUALIFIÉ.

1. Retirez les vis de la plaque du couvercle de la boîte de raccordement située sur le côté du moteur (Figure 9).

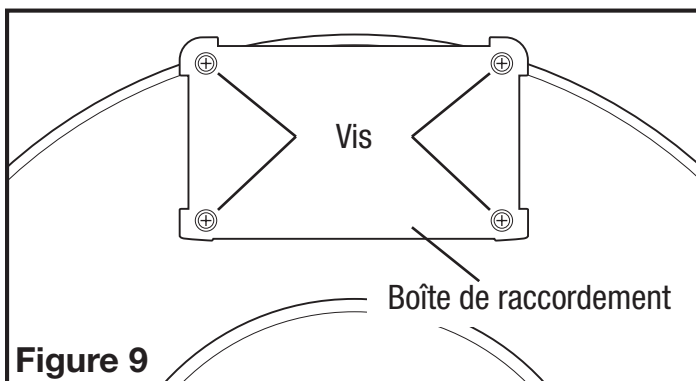


Figure 9

2. Passez le câblage d'un calibre approprié à partir d'un commutateur mural approuvé. Un fil de connexion de neutre (blanc) et un fil de vivant (fil noir branché au commutateur). Fixez les fils électriques

au boîtier avec un connecteur électrique approuvé. Assurez-vous de laisser suffisamment de câblage dans le boîtier de raccordement afin de pouvoir effectuer les branchements à la plaquette de connexions électriques précâblée du ventilateur.

3. Insérez le fil blanc provenant de la maison dans le port de la plaquette de connexions étiqueté " N " et serrez à l'aide d'un petit tournevis régulier. Insérez le fil noir à partir du commutateur mural dans le port de la plaquette de connexions étiqueté " L " et serrez à l'aide d'un petit tournevis régulier. Etant donné que le moteur est isolé au sein d'un boîtier de plastique, il n'est pas nécessaire de procéder à une mise à la terre (Figure 10).

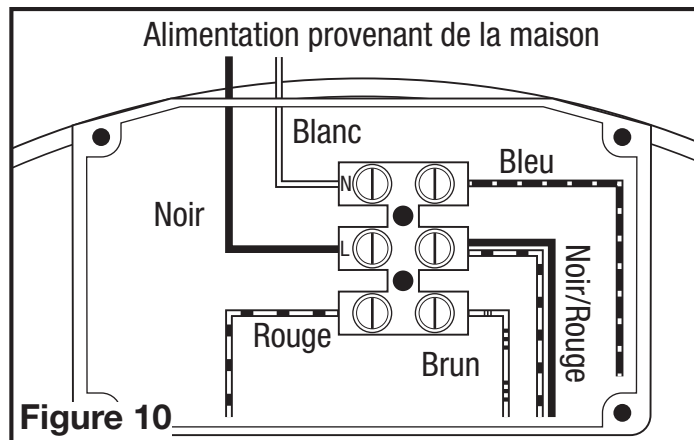


Figure 10

4. Assurez-vous que toutes les connexions de câblage sont fixées de manière sécuritaire à la plaquette de connexions et remplacez le couvercle du boîtier de raccordement.
5. Rétablissez le courant et testez votre installation.

SECTION 9

Utilisation et entretien

AVERTISSEMENT : ASSUREZ-VOUS QUE LE COURANT EST COUPÉ À PARTIR DU PANNEAU ÉLECTRIQUE AVANT DE PROCÉDER À L'ENTRETIEN DE L'UNITÉ.

1. **Nettoyage de la grille** : Retirez la grille et nettoyez-la à l'aide d'un détergent doux, comme du savon à vaisselle, et séchez-la ensuite avec un chiffon doux. NE JAMAIS UTILISER DE TAMPONS ABRASIFS OU DE POUDRES À RECURER. Asséchez la grille complètement avant de la réinstaller. Reportez-vous aux instructions à l'étape 2 de la Section 4 pour réinstaller la grille.
2. Les roulements du ventilateur sont scellés et munis d'un matériel lubrifiant interne, aucune lubrification additionnelle n'est requise.

Guide de dépannage

Trouble	Cause Possible	Solution Suggérée
1. Le ventilateur ne fonctionne pas lorsque l'interrupteur est à la position en marche.	1a. Un fusible peut être grillé ou un disjoncteur peut être déclenché. 1b. Le câblage n'est pas raccordé correctement. 1c. Le moteur est terminée	1a. Remplacer le fusible ou réinitialiser le disjoncteur. 1b. Couper l'alimentation de l'unité. Vérifier que tous les fils sont raccordés. 1c. Remplacez la moteur
2. Le ventilateur fonctionne, mais l'air circule plus lentement que la normale.	2a. Obstruction dans les conduits d'évacuation. 2b. Le réglage de la commande de vitesse n'est pas assez élevé. 2c. Câblage incorrect.	2a. Vérifier pour toute obstruction dans les conduits. Les plus courantes sont des nids d'oiseau dans le chapeau de toit ou mural là où le ventilateur s'évacue vers l'extérieur. 2b. Si une commande de vitesse est utilisée, confirmez le réglage. 2c. Coupez l'alimentation de l'unité. Assurez-vous que tous les fils sont branchés correctement.
3. Le ventilateur fonctionne de manière plus bruyante que la normale.	3a. Le moteur est lâche. 3b. Les vis pour l'installation du ventilateur sont trop serrées. 3c. Ventilateur endommagé au cours de l'expédition.	3a. Couper l'alimentation à l'unité. Retirer la grille et vérifier que toutes les vis sont complètement serrées. Remettre l'alimentation sur l'unité. 3b. Coupez l'alimentation de l'unité. Desserrez les vis des passe-câbles en caoutchouc. 3c. Communiquez avec le vendeur pour un remplacement.

GARANTIE LIMITÉE

QUE COUVRE CETTE GARANTIE : Ce produit est garanti contre tout vice de fabrication ou de matière.

COMBIEN DE TEMPS CETTE GARANTIE DURE : Cette garantie se rapporte seulement à l'acheteur original du produit et dure pendant une (1) année de la date de l'achat original ou jusqu'à ce que l'acheteur original du produit vend ou transfère le produit, celui qui se produit en premier.

QUE FERA AIR KING : Au cours de la période de garantie, Air King, à son choix, réparera ou remplacera n'importe quelle partie ou pièces qui s'avèrent défectueuses ou remplacera le produit entier par le même modèle ou un modèle comparable.

CE QUE CETTE GARANTIE NE COUVRE PAS : Cette garantie ne s'applique pas si le produit était endommagé ou arrête de fonctionner en raison d'un accident, d'une mauvaise manipulation ou opération, de dommages d'expédition, d'abus, de mauvaise utilisation, de réparation faite ou tentées non autorisées. Cette garantie ne couvre pas les coûts d'expédition pour le retour des produits à Air King pour la réparation ou le remplacement. Air King payera les frais d'expédition de retour de Air King après les réparations ou le remplacement de garantie.

TOUTES LES GARANTIES, EXPRESSES OU TACITES (COMPRENANT, SANS LIMITATION, TOUTE GARANTIE TACITE DE VALEUR MARCHANDE), DURENT UN AN DE LA DATE DE L'ACHAT ORIGINAL OU JUSQU'À CE QUE L'ACHETEUR ORIGINAL DU PRODUIT VEND OU TRANSFÈRE LE PRODUIT, CELUI QUI SE PRODUIT EN PREMIER ET DANS AUCUN CAS AIR KING N'ASSUME AUCUNE RESPONSABILITÉ EXPRESSE OU TACITE POUR (I) DES DOMMAGES ACCIDENTELS OU INDIRECTS DE N'IMPORTE QUELLE CAUSE, OU (II) LE REMPLACEMENT OU LA RÉPARATION DE TOUS FUSIBLES, DISJONCTEURS OU RÉCEPTACLES DE MAISON. MALGRÉ N'IMPORTE QUOI À L'EFFET CONTRAIRE, DANS AUCUN CAS LA RESPONSABILITÉ D'AIR KING, SOUS UNE GARANTIE EXPRESSE OU TACITE, NE DÉPASSERA LE PRIX D'ACHAT DU PRODUIT ET UNE TELLE RESPONSABILITÉ SE TERMINERA AVEC L'EXPIRATION DE LA PÉRIODE DE GARANTIE.

Certains états et provinces ne permettent pas les limitations de la période de garantie, ou l'exclusion ou la restriction des dommages accidentels ou indirects, et, par conséquent, les présentes restrictions ne peuvent pas s'appliquer. La présente garantie vous donne des droits légaux spécifiques et peut-être certains autres droits qui peuvent varier selon la province. La preuve d'achat est exigée avant qu'une réclamation de garantie ne soit acceptée.

SERVICE À LA CLIENTÈLE :

Sans frais (800) 465-7300

Notre équipe de service à la clientèle est disponible pour vous aider avec des questions sur le produit, les adresses des centres de service, et les pièces de rechange. Vous pouvez la rejoindre, du lundi au vendredi, de 8h:00 à 16h:00 HNE. Veuillez avoir le numéro du modèle disponible, ainsi que le genre et le style (qui se trouvent sur l'étiquette à l'intérieur de votre produit). Veuillez ne pas renvoyer le produit à l'endroit de l'achat.

www.airkinglimited.com

IL SE PEUT QUE LES PIÈCES POUR LES PRODUITS DISCONTINUÉS, OBSOLÈTES ET AUTRES PRODUITS NE SOIENT PAS DISPONIBLES. POUR DES RAISONS DE SÛRETÉ, BEAUCOUP DE COMPOSANTS ÉLECTRONIQUES ET LA PLUPART DES COMPOSANTS DES CHAUFFAGES NE SONT PAS À LA DISPOSITION DES CONSOMMATEURS POUR L'INSTALLATION OU LE REMPLACEMENT.

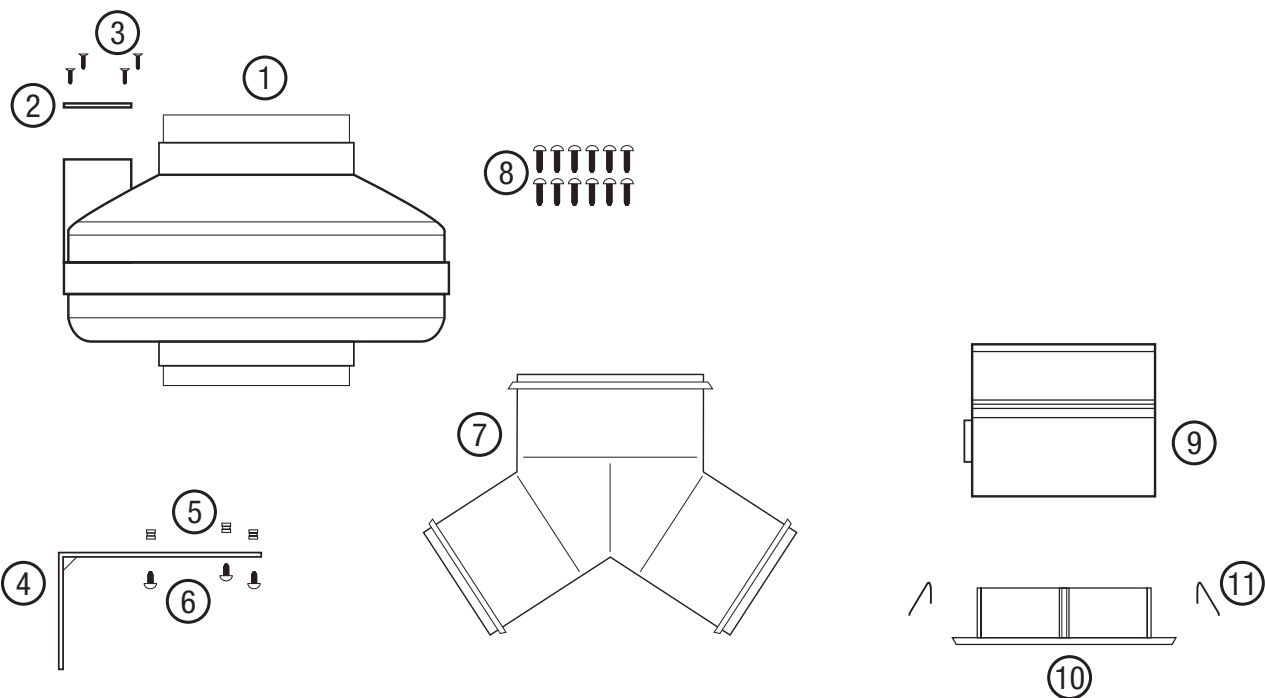
Installateur: _____

Date d'installation: _____

Endroit de l'achat: _____

Numéro de modèle: _____

DIAGRAMME DES PIÈCES DE REMPLACEMENT



Ensemble de pièces de remplacement pour ventilateur à orifice d'entrée unique.

#	Qté.	Description	# de pièce de remplacement
1	1	Moteur - AIK14X	5S7635000
	1	Moteur - AIK16X	5S7635001
2	1	Plaque de finition - AIK14X	5S7635029
	1	Plaque de finition - AIK16X	5S7635030
3	2	Vis - AIK14X	5S7699021
	4	Vis - AIK16X	5S7699023
4	1	Support de montage	5S7635035
5	3	Passe-câble	5S7699020
6	3	Vis	5S7699024
8	8	Vis	5S7699022
9	1	Assemblage collet / clapet - AIK14X	5S7635039
	1	Assemblage collet / clapet - AIK16X	5S7635015
10	1	Grille - AIK14X	5S7635016
	1	Grille - AIK16X	5S7635017
11	4	Ressorts pour la grille	5S7635028

Ensemble de pièces de remplacement pour ventilateur à orifice d'entrée double.

#	Qté.	Description	# de pièce de remplacement
1	1	Moteur - AIK24Y	5S7635000
	1	Moteur - AIK26Y	5S7635002
2	1	Plaque de finition - AIK24Y	5S7635029
	1	Plaque de finition - AIK26Y	5S7635030
3	2	Vis - AIK24Y	5S7699021
	4	Vis - AIK26Y	5S7699023
4	1	Support de montage	5S7635035
5	3	Passe-câble	5S7699020
6	3	Vis	5S7699024
7	1	Embranchement en "Y" - AIK24Y	5S7635008
	1	Embranchement en "Y" - AIK26Y	5S7635010
8	12	Vis	5S7699022
9	1	Assemblage collet / clapet - AIK24Y	5S7635039
	1	Assemblage collet / clapet - AIK26Y	5S7635015
10	1	Grille - AIK24Y	5S7635016
	1	Grille - AIK26Y	5S7635017
11	8	Ressorts pour la grille	5S7635028

Pièces de remplacement pour ventilateur

#	Qté.	Description	# de pièce de remplacement
1	1	Moteur - AIF4X	5S7635000
	1	Moteur - AIF6X	5S7635001
	1	Moteur - AIF8X	5S7635003
	1	Moteur - AIF10X	5S7635004
2	1	Plaque de finition - AIF4X	5S7635029
	1	Plaque de finition - AIF6X	5S7635030
	1	Plaque de finition - AIF8X, AIF10X	5S7635031
3	2	Vis - AIF4X	5S7699021
	4	Vis - AIF6X, AIF8X, AIF10X	5S7699023
4	1	Support de montage - AIF4X, AIF6X	5S7635035
	1	Support de montage - AIF8X, AIF10X	5S7635034
5	3	Passe-câble	5S7699020
6	3	Vis	5S7699024

Pièces de remplacement pour la grille

#	Qté.	Description	# de pièce de remplacement
9	1	Assemblage collet / clapet - AIG4	5S7635039
	1	Assemblage collet / clapet - AIG6	5S7635015
10	1	Grille - AIG4	5S7635016
	1	Grille - AIG6	5S7635017
11	8	Ressorts pour la grille	5S7635028