

Air King[®]

Ventilation Products

SPECIFICATIONS

AK965

EXHAUST FANS

70 CFM/3.5 SONES @ 0.10" wg.
HVI CERTIFIED 120 Volts, 14.2 amps, 60 hz.

• **Grill**

White, polymeric grill (flame retardant ABS UL rated 94-5V) secured in place using 2 philips head screws easily removed if necessary, dimensions - 17 1/8" x 9 7/8".

• **Light Lens**

Moonstone glass lens, installed in a flip down lens holder. Secured in place using integral tabs.

• **Blower Wheels**

Heater blower wheel - one piece metal electronically balanced, 3 11/16" x 2" with 28 fins.

Ventilation blower wheel - one piece polymeric electronically balanced, 3 7/8" x 2 1/2" with 21 fins.

• **Motors**

Heater motor - Heavy duty, plug in 2 pole motor. Life time lubrication, thermally protected.
 Rated 120 volts, 60 hz., 0.90 amps., 2400 rpm.

Ventilation motor - Heavy duty, plug in 2 pole motor. Life time lubrication, thermally protected.
 Rated 120 volts, 60 hz., 0.90 amps.

• **Heater Housing**

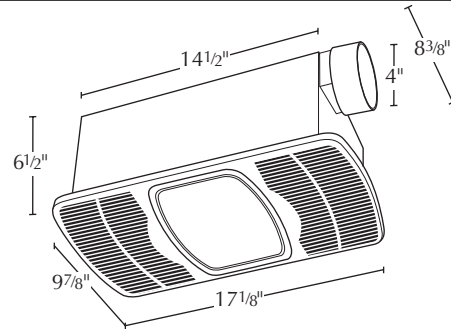
23 gauge galvanized steel housing.
 Dimensions 14 1/2" x 8 3/8" x 6 1/2".

• **Heating Element**

Wire coil, secured in place by ceramic "J" shaped hooks and terminated by bolt and nut in cylindrical standoffs. Housed in an all metal enclosure. Rated 1500 watts - 5120 Btu.

• **Duct Collar**

4" round, zinc plated metal collar adapter with aluminum backdraft damper.



CUL/HVI - TYPE IC RATED

• **Ventilating Area**

For bathrooms up to 70 sq. ft. For other rooms up to 85 sq. ft.

• **Lamping Information**

Main Lighting: 100 watt maximum, type A19, Medium base bulb
 Night Lighting: 7 watt maximum, type C7, Candelabra base bulb

• **Unit Mounting**

Designed for ceilings insulated to R-40. Designed to mount in ceilings with at least 7.5" of clearance. The unit will mount between joists (with 16" centers) or butted up against a joist. The housing will mount through drywall thickness up to 3/4", with a rough in opening of 14 3/4" x 8 5/8".

• **Single Pack Shipping Info**

Box Dim: 19" x 13 3/8" x 8 7/8"
 UPC: 0-8316229510-1
 Shipping Weight: 15 lbs.

PERFORMANCE

	Static Pressure (inches of w.g.)								HVI Sones @ .1 SP	Fan Speed RPM	Power Watts
	0	0.05	0.1	0.125	0.15	0.2	0.25	0.3			
Air Flow - CFM											

PROJECT							ARCHITECT				
LOCATION							ENGINEER				
CONTRACTOR							SUBMITTED BY			DATE	
FAN NUMBER	MODEL NUMBER	CFM	IN W.G.	RPM	WATTS	AMPS	SONES	QTY	OPTIONAL EQUIPMENT & REMARKS		



U.S.: 820 Lincoln Drive
 West Chester, Pennsylvania 19380-4466
 Tel: (877)-304-3785
 Fax: (610) 696-8048

Canada: 110 Glidden Road
 Brampton, Ontario L6T 2J3
 Tel: (905) 456-2033
 Fax: (905) 456-1015