

Homeowners Guide

Bath Whirlpools

K-1106, K-1112, K-1114,
K-1126, K-1131, K-1139,
K-1144, K-1146, K-1148,
K-1154, K-1157, K-1160,
K-1162, K-1164, K-1192,
K-1194, K-1196, K-1198,
K-1201, K-1209, K-1221,
K-1224, K-1226, K-1231,
K-1239, K-1244, K-1246,
K-1248, K-1257, K-1263,
K-1266, K-1337, K-1477,
K-1630, K-1635, K-1683,
K-1684

M product numbers are for Mexico (i.e. K-12345**M**)
Los números de productos seguidos de **M** corresponden a México
(Ej. K-12345**M**)
Français, page "Français-1"
Español, página "Español-1"

THE BOLD LOOK
OF **KOHLER**®

Operating Instructions

INSTRUCTIONS PERTAINING TO A RISK OF FIRE, ELECTRICAL SHOCK, OR INJURY TO PERSONS

READ AND FOLLOW ALL INSTRUCTIONS

SAVE THESE INSTRUCTIONS



WARNING: When using electrical products, basic precautions should always be followed, including the following:



DANGER: Risk of personal injury. To reduce the risk of injury, do not permit children to use this unit unless they are closely supervised at all times.



WARNING: Risk of personal injury. To avoid injury, exercise care when entering or exiting the whirlpool.



WARNING: Risk of electric shock. Do not permit electric appliances (such as a hair dryer, lamp, telephone, radio, or television) within 5' (1.5 m) of this whirlpool.



WARNING: Risk of hyperthermia. People using medications and/or having an adverse medical history should consult a physician before using a whirlpool equipped with a heater.

Use this whirlpool only for its intended purpose as described in this manual. Do not use attachments not recommended by the manufacturer.

Never drop or insert any object into any opening.

Do not operate this unit without the guard (cover) over the suction fitting.

The whirlpool must be connected only to a supply circuit that is protected by a Ground-Fault Circuit-Interrupter (GFCI) or Earth-Leakage Circuit-Breaker (ELCB). Such a GFCI or ELCB should be provided by the installer and should be tested on a routine basis. To test the GFCI or ELCB, press the test button. The GFCI or ELCB should interrupt power. Press the reset button. Power should be restored. If the GFCI or ELCB fails to operate in this manner, the GFCI or ELCB is defective. If the GFCI or ELCB interrupts power to the bath without the test button being pressed, a ground current is flowing, indicating the possibility of an electric shock. Do not use this whirlpool bath. Disconnect the whirlpool and have the problem corrected by a qualified service representative before using.

NOTE: If the pump supply cord is damaged, it must be replaced by the manufacturer, its service agent or similarly qualified persons in order to avoid a hazard. The heater supply cord cannot be replaced. If the cord is damaged the heater should be scrapped.



WARNING: The use of alcohol, drugs, or medication can greatly increase the risk of fatal hyperthermia. Prolonged immersion in hot water may induce hyperthermia. Hyperthermia occurs when the internal temperature of the body reaches a level several degrees above the normal body temperature of 98.6°F (37°C). The symptoms of hyperthermia include an increase in the internal temperature of the body, dizziness, lethargy, drowsiness, and fainting. The effects of hyperthermia include: (a) failure to perceive heat, (b) failure to recognize the need to exit the bath, (c) unawareness of impending hazard, (d) fetal damage in pregnant women, (e) physical inability to exit the bath, and (f) unconsciousness resulting in the danger of drowning.

IMPORTANT! Flush your whirlpool system twice a month or more depending upon usage, as described in cleaning instructions in this manual.

Do not allow the water temperature in the whirlpool to exceed 104°F (40°C).

Keep small objects such as bath toys and bathing accessories out of the whirlpool while the unit is running.

Operating Instructions (cont.)

Repeated use of personal care products containing oils can damage plastic whirlpool components. Do not use heavy, vegetable-based shampoos or bath oils.

Whirlpool hydro-massage action can cause even a small amount of bubble bath, bath soap, shampoo, or bath oil to foam excessively. For this reason, please don't use these products during whirlpool operation.

Your new Kohler whirlpool has been listed by Underwriter's Laboratories, ensuring safety for you and your family. This whirlpool also conforms to rigid ANSI and IAPMO standards set within the plumbing industry.

Table of Contents

Operating Instructions	2
Thank You For Choosing Kohler Company	3
Your Kohler Whirlpool	3
Operating Your Whirlpool	4
Cleaning Your Whirlpool	4
Flushing Your Whirlpool System	5
Limited One-Year Warranty - For U.S.A. and Canada	5
One-Year Warranty - For Mexico	5
Troubleshooting Procedures	6
Service Parts	8

Thank You For Choosing Kohler Company

Thank you for choosing the Bold Look of Kohler. Kohler craftsmanship offers you a rare combination of proven performance and graceful sophistication that will satisfy you for years to come. The dependability and beauty of your Kohler product will surpass your highest expectations. We're very proud of our products here at Kohler and we know you will be too.

Please take a few minutes to study this Homeowners Guide. Pay special attention to the care and cleaning instructions.

All information in this manual is based upon the latest product information available at the time of publication. At Kohler, we constantly strive to improve the quality of our products. We reserve the right to make changes in product characteristics, packaging or availability at any time without notice.

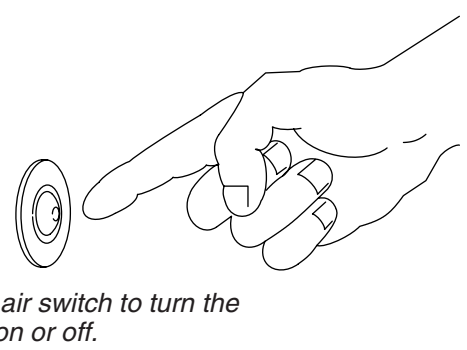
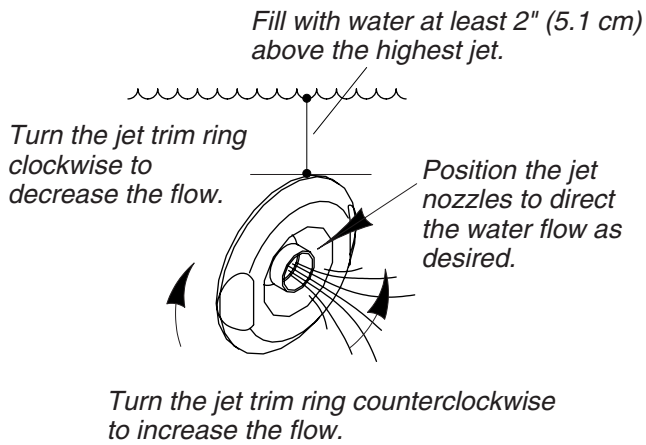
Your Kohler Whirlpool

Your new whirlpool is designed to stimulate, invigorate, and energize your body with comforting hydro-massage therapy. The whirlpool consists of the following components:

- **Bath** - acts as a reservoir for water, and provides a location for the hydro-massage action.
- **Air Actuator Control** - located within easy reach, the air actuator control turns the whirlpool on and off through the activation of a reliable sensing device.
- **Pump Motor** - provides quiet power to circulate the water and create the soothing hydro-massage action.
- **Adjustable Jets** - positioned to optimize their hydro-massage effect, the jets allow you to adjust the air and water flow and control the flow direction as you desire.

Your whirlpool may also include the following features:

- **Heater, "H" models only (available in most markets)** - designed to automatically help maintain the temperature of the water up to 104°F (40°C) to enhance your hydro-massage experience. The heater turns on automatically when the whirlpool is running, and turns off when the pump motor is turned off.
- **Timer Kit (available as an optional accessory)** - automatically stops the pump after about 20 minutes of continuous whirlpool operation.
- **Integral or Removable Apron (available on select models)** - designed to complement the style and contours of your whirlpool. The whirlpool apron also provides easy frontside access to the pump and controls in case servicing is necessary.



Operating Your Whirlpool

- Position the jet nozzles so they face down toward the basin. Turn the jet trim rings fully counterclockwise.

NOTE: The water temperature in the whirlpool should never exceed 104°F (40°C).

- Close the drain, and fill the whirlpool to a level at least 2" (5.1 cm) above the top of the highest jet. Use your hand to test the water temperature for comfort and safety, then carefully enter the bath basin.
- Press the air actuator to turn on the whirlpool.

NOTE: If equipped, the heater will also turn on.

- Adjust the jets for optimum air/water mixture. Turn the jet trim rings clockwise to reduce the flow, and counterclockwise to increase the flow. Position the jet nozzles to direct the water flow as desired to maximize your hydro-massage experience.
- Press the air actuator a second time to turn off the whirlpool.
- Carefully exit the bath, and open the drain to empty the whirlpool.

NOTE: If your whirlpool includes an optional timer kit, the whirlpool will turn off after approximately 20 minutes of continuous operation. You can then restart the whirlpool if you desire by pressing the air actuator.

NOTE: If the whirlpool does not function properly, please refer to the Troubleshooting section.

Cleaning Your Whirlpool

For best results, keep the following in mind when caring for your KOHLER product:

- Use a mild detergent such as liquid dishwashing soap and warm water for cleaning. Do not use abrasive cleaners that may scratch or dull the surface.
- Carefully read the cleaner product label to ensure the cleaner is safe for use on the material.
- Always test your cleaning solution on an inconspicuous area before applying to the entire surface.
- Do not allow cleaners to sit or soak on the surface.
- Wipe surfaces clean and rinse completely with water immediately after cleaner application. Rinse and dry any overspray that lands on nearby surfaces.
- Use a soft, dampened sponge or cloth. Never use an abrasive material such as a brush or scouring pad to clean surfaces.

For detailed cleaning information and products to consider, visit www.kohler.com/clean. To order Care &

Cleaning Your Whirlpool (cont.)

Cleaning information, call 1-800-456-4537 and press 1 for Kohler Products and then 3 for Literature.

Flushing Your Whirlpool System

- Flush your whirlpool system twice a month or more, depending upon usage. Use the following sequence:
 - Turn the jet trim rings fully clockwise to reduce air induction.
 - Fill the whirlpool with hot water to a level at least 2" (5.1 cm) above the highest jet.
 - Add 2 tablespoons (30 ml) of a low-foaming dishwasher detergent and 20 ounces (590 ml) of household bleach (5% - 6% sodium hypochlorite) to the water.
 - Run the whirlpool for 5 to 10 minutes. Turn off the whirlpool and drain.
 - If desired, rinse the bath surfaces with water.
 - Rinse the surfaces of the jets, faucet, handrails, drain, etc. and wipe them dry with a soft cloth.

Limited One-Year Warranty - For U.S.A. and Canada

For the USA and Canada Only

KOHLER plumbing products are warranted to be free of defects in material and workmanship for one year from date of installation.

Kohler Co. will, at its election, repair, replace or make appropriate adjustment where Kohler Co. inspection discloses any such defects occurring in normal usage within one (1) year after installation. Kohler Co. is not responsible for removal or installation costs.

To obtain warranty service contact Kohler Co. either through your Dealer, Plumbing Contractor, Home Center or E-tailer, or by writing Kohler Co., Attn.: Customer Service Department, 444 Highland Drive, Kohler, WI 53044, USA, or by calling 1-800-4-KOHLER from within the USA, 1-800-964-5590 from within Canada and 001-877-680-1310 from within Mexico.

Implied warranties including that of merchantability and fitness for a particular purpose are expressly limited in duration to the duration of this warranty. Kohler Co. and/or seller disclaims any liability for special, incidental or consequential damages.

Some states/provinces do not allow limitations on how long an implied warranty lasts, or the exclusion or limitation of special, incidental or consequential damages so these limitations and exclusions may not apply to you. This warranty gives you specific legal rights. You may also have other rights which vary from state/province to state/province.

This is Kohler Co.'s exclusive written warranty.

One-Year Warranty - For Mexico

For Mexico Only

KOHLER CO.

It is recommended that at the time of purchase, you verify that all accessories and components are complete in this package.

This Kohler product is warranted to be free of defects in material and workmanship for one (1) year from the date of purchase as shown on the invoice or receipt.

1. Kohler Co. will only service its commercialized products through its authorized distributors.
2. To obtain warranty service, please present the invoice and corresponding warranty.
3. Through its authorized distributors, Kohler Co. promises to repair the defective product or provide a new replacement or an equivalent model (in those cases that the model has been discontinued) when the product is beyond repair, without any charge to the consumer.

One-Year Warranty - For Mexico (cont.)

4. The time of repair will not exceed six (6) weeks commencing on the date the product is received.
5. It is recommended that the consumer save the invoice or receipt as additional protection, as it may substitute the warranty in the case that there is a discrepancy in the validity of the warranty.

EXCEPTIONS AND RESTRICTIONS

The Warranty will not be valid in the following cases:

1. When the product is not operated in accordance with the instructions concerning use and operation set forth in the owner's manual or installation instructions, and when the recommendations and warnings included are not observed.
2. When the product has been modified or dismantled partially or totally; or has been used in a negligent fashion and as a consequence has suffered damages attributable to the consumer, individual, or hardware not authorized by Kohler Co.
3. This warranty does not cover the damages as a result of disaster such as fire or acts of God, including flooding, earthquake, or electric storms, etc. To obtain a list of distributors in your area where you can exercise your rights under this warranty, please call 001-877-680-1310.

KOHLER CO., KOHLER, WI 53044 U.S.A.

IMPORTER:

INTERNACIONAL DE CERÁMICA, S.A.B. DE C.V.

AV. CARLOS PACHECO NO. 7200

CHIHUAHUA, CHIH., MEXICO C.P. 31060

TEL: 52 (14) 29-11-11

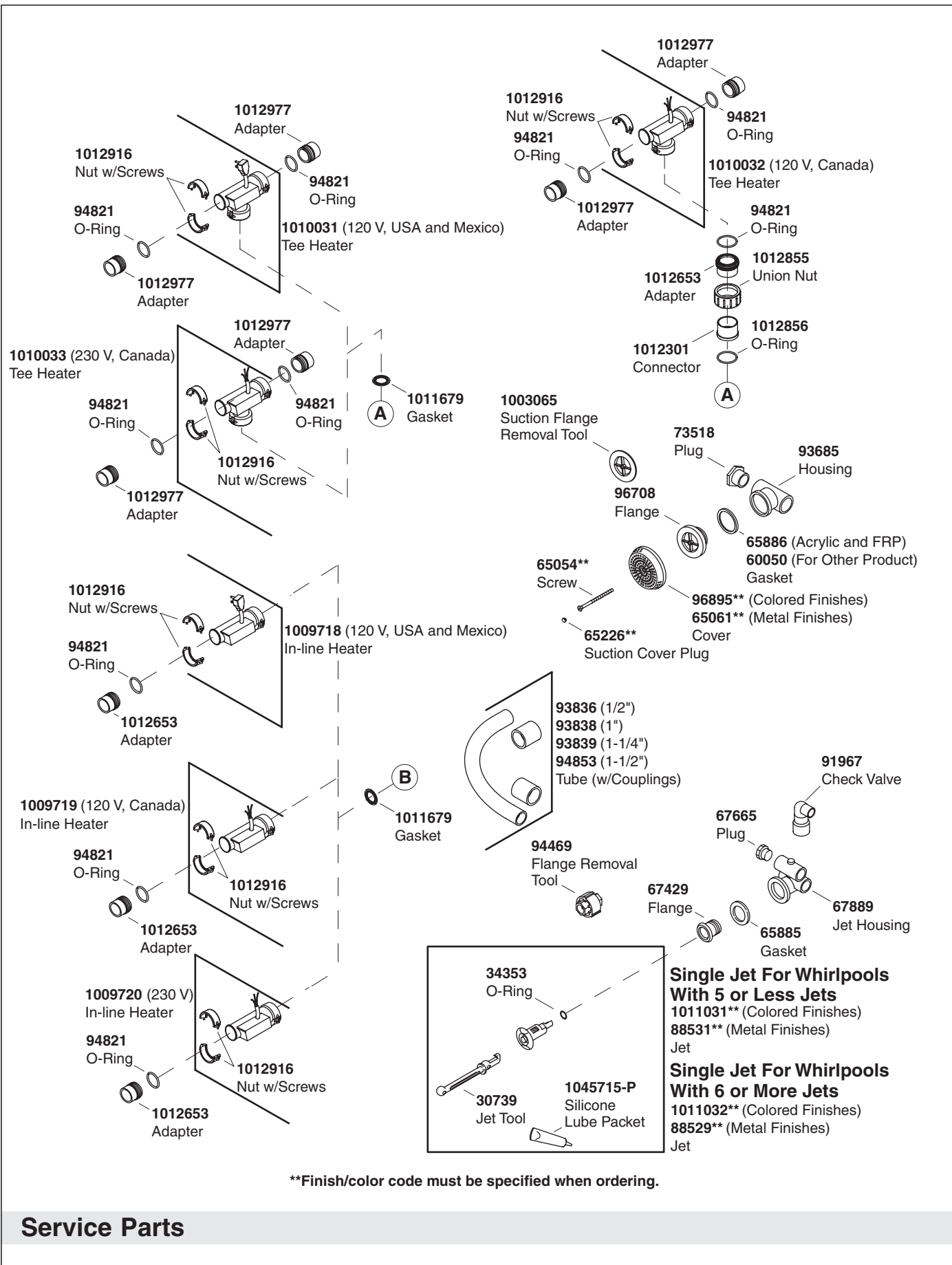
Troubleshooting Procedures

This troubleshooting guide is for general aid only. A Kohler Authorized Service Representative or qualified electrician should correct any electrical problems. For warranty service, contact your dealer or wholesale distributor.

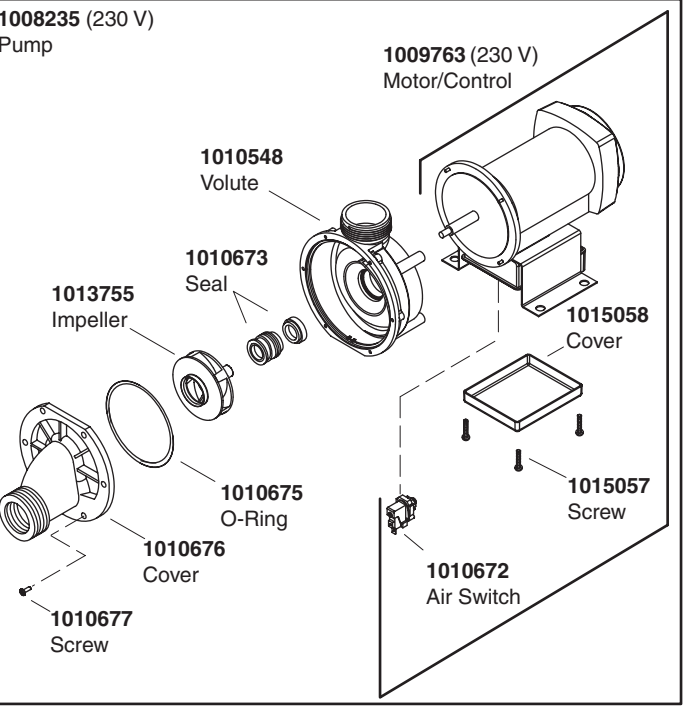
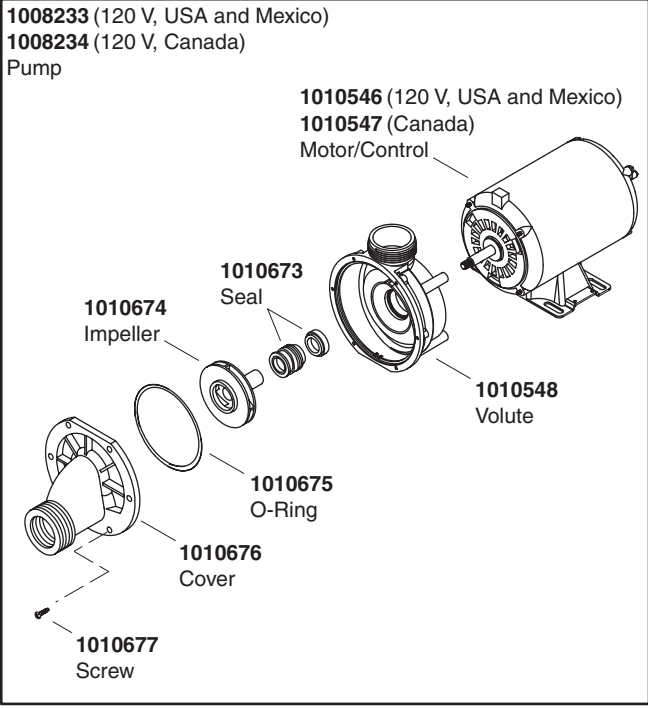
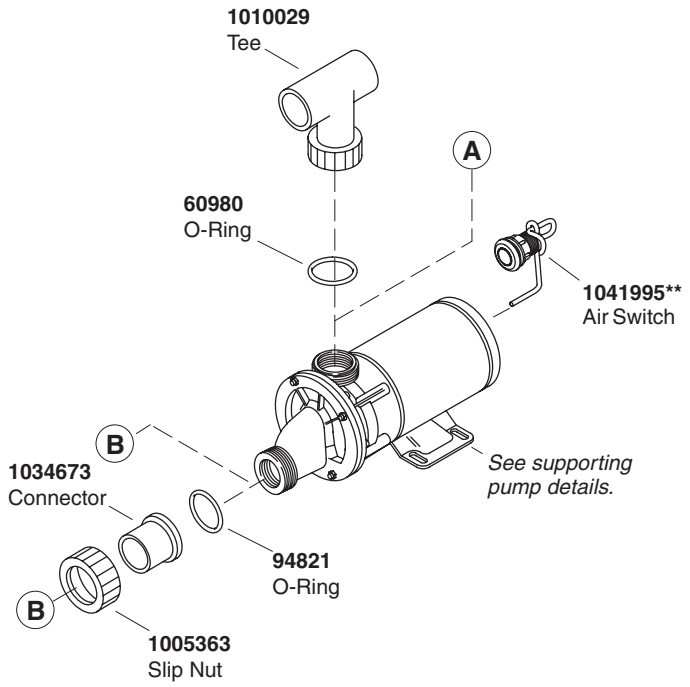
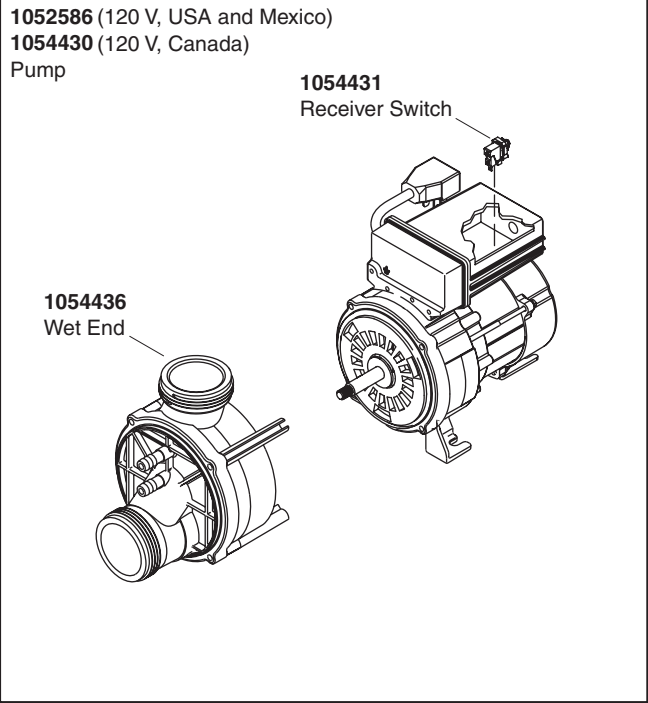
Symptoms	Probable Causes	Recommended Action
1. Whirlpool will not start/stop.	<p>A. No power to pump.</p> <p>B. Remove the access panel and press the air switch, if you do not hear a "click," the air switch tubing is loose or disconnected.</p> <p>C. Air switch tubing is pinched or kinked.</p> <p>D. Push button assembly is damaged.</p> <p>E. Pump has power and a "click" is heard when the air switch is pressed. Pump is defective.</p>	<p>A. Verify pump is plugged in and the GFCI/ELCB is not tripped. Verify the outlet has power using a multi-meter or by connecting a 110V item that you know is working (lamp, radio, etc.) into the outlet. Repair as needed.</p> <p>B. Check if the air switch tubing is connected at both the receiver/pump end and the air switch. Reconnect if needed.</p> <p>C. Adjust tubing to clear the pinched/kinked area. If the pinch/kink cannot be fixed, or no noticeable pinch/kink is apparent, puncture the tubing with a tack and try the system again.</p> <p>D. Replace the push button assembly.</p> <p>E. Replace the pump.</p>

Troubleshooting Procedures (cont.)

Symptoms	Probable Causes	Recommended Action
	<p>F. The receiver in the pump is defective.</p> <p>G. System has a timer kit and the pump is not switched to the ON position.</p>	<p>F. Replace the receiver or pump.</p> <p>G. Refer to the timer kit installation instructions.</p>
2. The system will start but will not stay ON.	A. The receiver in the pump is defective.	A. Replace the receiver or pump.
3. Whirlpool stops automatically.	<p>A. System includes an integral timer and will turn off automatically after 18 minutes.</p> <p>B. Pump has overheated and the protection devices has activated.</p> <p>C. GFCI/ELCB circuit has tripped.</p>	<p>A. Verify your system has an integral timer, if yes, no additional action is needed.</p> <p>B. Check for blockage at the motor vents. Check for suction blockage. Check for jet blockage. Remove any blockage and allow the motor to cool.</p> <p>C. Identify source fault and correct. Check that the GFCI/ELCB has not been tripped. If problem persists, contact an electrician.</p>
4. The motor starts but not all jets function.	<p>A. Jets are closed.</p> <p>B. Jets are blocked or trim ring rotation is impeded.</p> <p>C. Jets not installed correctly.</p> <p>D. Pump is not supported correctly and is cavitating.</p>	<p>A. Rotate the jet trim ring counterclockwise to open/increase flow to the jets.</p> <p>B. Glue may be obstructing the jet opening or preventing the jet trim ring from rotating. Remove the trim ring and remove excess glue.</p> <p>C. Reinstall the jet; check for any O-ring damage.</p> <p>D. Review the installation instructions and verify that the pump is at the appropriate height and that the pump banding straps (when applicable) have been cut.</p>
5. Noisy pump operation.	A. The pump banding straps have not been cut (models with support blocks only).	A. Using tin snips, cut pump banding straps.
6. Heater does not operate (units with heaters only).	<p>A. No power to heater or it is not connected to a separate outlet from the pump.</p> <p>B. The water temperature is above 104°F (40°C).</p>	<p>A. Verify that the heater is connected to a separate outlet from the pump and that the connection has power.</p> <p>B. As a safety precaution, the heater will not operate when the water temperature is above 104°F (40°C).</p>

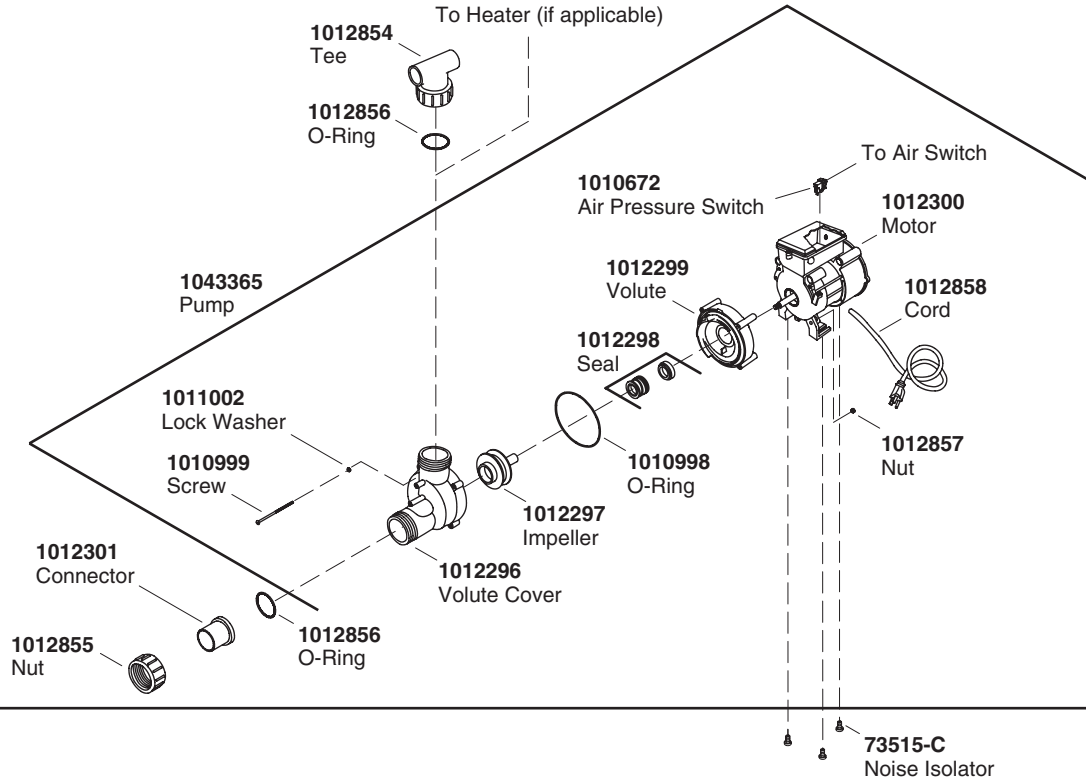


Service Parts

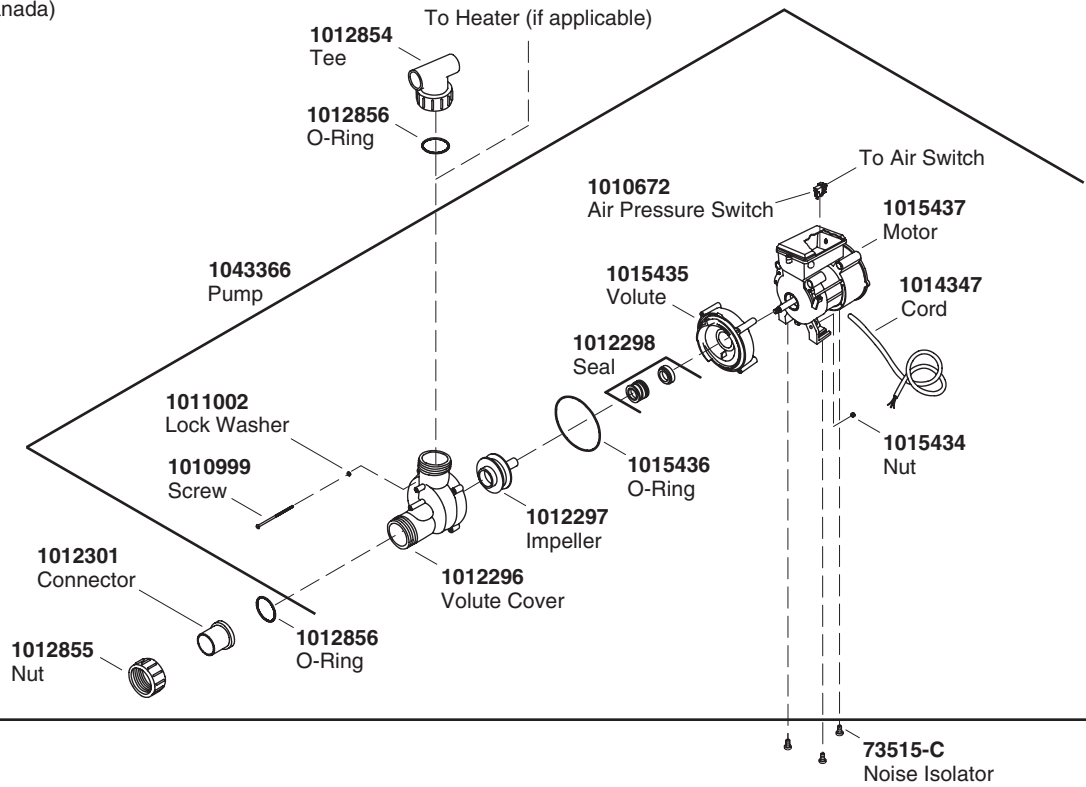


****Finish/color code must be specified when ordering.**

1012859 (120 V, USA and Mexico)
Pump



1008232 (120 V, Canada)
Pump



****Finish/color code must be specified when ordering.**

Guide du propriétaire






Baignoires à hydromassage

Instructions d'opération

CONSIGNES RELATIVES AUX RISQUES D'INCENDIE, D'ÉLECTROCUTION OU DE BLESSURES CORPORELLES

LIRE ET SUIVRE TOUTES LES INSTRUCTIONS

CONSERVER CES INSTRUCTIONS

-  **AVERTISSEMENT :** Lors de l'utilisation des produits électriques, des précautions de base devraient toujours être observées, incluant ce qui suit:
-  **DANGER :** Risque de blessure corporelle. Afin de réduire les risques de blessures, ne jamais permettre à un enfant d'utiliser cet appareil sans surveillance.
-  **AVERTISSEMENT :** Risque de blessure corporelle. Pour éviter les blessures corporelles, entrer et sortir avec précaution de la baignoire à hydromassage.
-  **AVERTISSEMENT :** Risque d'électrocution. Ne pas raccorder d'appareils électriques (tels que sèche-cheveux, lampe, téléphone, radio ou télévisions) dans les 5' (1,5 m) de cette baignoire à hydromassage.
-  **AVERTISSEMENT :** Risque d'hyperthermie. Les personnes sous médicaments ou qui sont en observation médicale doivent consulter leur médecin avant d'utiliser des baignoires à hydromassage équipées de chauffeau.


Utiliser cette baignoire à hydromassage uniquement pour un usage tel que décrit dans ce manuel. Ne pas utiliser des fixations non recommandées par le fabricant.

Ne jamais faire tomber ou insérer d'objet quelconque dans les ouvertures.

Ne pas utiliser cet appareil sans ses protecteurs (couvercles) sur ses raccords d'aspiration.

La baignoire à hydromassage doit être uniquement raccordée à un Disjoncteur Différentiel (GFCI) ou un Disjoncteur de Mise à la Terre (ELCB). De tels disjoncteurs GFCI ou ELCB devraient être fournis par l'installateur et vérifiés régulièrement. Appuyer sur le bouton de test pour tester les disjoncteurs GFCI ou ELCB. Les disjoncteurs GFCI ou ELCB de mise à la terre devraient couper l'alimentation. Appuyer sur le bouton de ré-initialisation. L'alimentation devrait être restituée. Si les disjoncteurs GFCI ou ELCB ne fonctionnent pas de cette façon, l'un ou l'autre est défectueux. Si les disjoncteurs GFCI ou ELCB stoppent l'alimentation électrique à la baignoire sans que le bouton test ne soit utilisé, il y a donc un court-circuit indiquant la possibilité de choc électrique. Ne pas utiliser pas cette baignoire à hydromassage. Débrancher la baignoire à hydromassage et la faire réviser par un technicien qualifié avant son utilisation.

REMARQUE : Si le câble d'alimentation de la pompe est endommagé, il doit être remplacé par le fabricant, son représentant ou autre personnel similaire qualifié pour éviter tout danger. Le cordon d'alimentation du chauffeau ne peut pas être remplacé. Si le cordon est endommagé, le chauffeau devrait être retiré.

-  **AVERTISSEMENT :** La consommation d'alcool, de drogues ou de médicaments peuvent augmenter considérablement le risque fatal d'hyperthermie. Une immersion prolongée dans l'eau chaude peut provoquer l'hyperthermie. L'hyperthermie a lieu lorsque la température corporelle interne atteint

Instructions d'opération (cont.)

plusieurs degrés au dessus de la température normale de 98,6°F (37°C). Les symptômes d'hyperthermie comprennent la hausse de la température corporelle, l'étourdissement, la léthargie, la somnolence et l'évanouissement. Les effets de l'hyperthermie comprennent: (a) défaut de percevoir la chaleur, (b) défaut de s'apercevoir du besoin de sortir de la baignoire, (c) incapacité de reconnaître le danger, (d) dommages au fœtus dans le cas des femmes enceintes, (e) incapacité physique de sortir de la baignoire et (f) inconscience et danger conséquent de noyade.

IMPORTANT ! Purger le système d'hydromassage deux fois par mois ou plus souvent, selon l'usage, tel que décrit dans les instructions de nettoyage dans ce manuel.

Ne pas laisser la température de la baignoire à hydromassage excéder 104° F (40° C).

Ne pas laisser de petits objets tels que des jouets ou accessoires pour le bain dans la baignoire à hydromassage lorsqu'elle est en marche.

L'utilisation répétée de produits d'hygiène et de beauté contenant des huiles peut endommager les revêtements en plastique des composants de la baignoire à hydromassage. Ne pas utiliser de shampoings ou d'huiles de bains à bases végétales.

L'action de la baignoire à hydromassage peut considérablement faire mousser une quantité de produit moussant, même très petite, de savon, de shampoing ou d'huile pour le bain. Pour cette raison, nous vous conseillons de ne pas utiliser ces produits dans votre baignoire à hydromassage.

Votre nouvelle baignoire à hydromassage Kohler a été homologuée par l'Underwriter's Laboratories, assurant ainsi votre sécurité et celle de votre famille. Cette baignoire à hydromassage est aussi conforme aux normes ANSI et IAPMO établies pour l'industrie de la plomberie.

Sommaire

Instructions d'opération	1
Merci d'avoir choisi la compagnie Kohler	2
Votre baignoire à hydromassage Kohler	2
Opérer votre baignoire à hydromassage	4
Nettoyer la baignoire à hydromassage	4
Purger le système de baignoire d'hydromassage	5
Garantie limitée d'un an - Pour les É.-U. et Canada	5
Procédures de dépannage	5
Pièces de rechange	8

Merci d'avoir choisi la compagnie Kohler

Merci d'avoir choisi la ligne the Bold Look of Kohler. Le travail soigné des artisans de Kohler vous fera apprécier une rare combinaison de performances prouvées et une sophistication gracieuse, qui vous satisferont pour les années à venir. La fiabilité et la beauté de votre produit Kohler surpasseront vos plus grandes espérances. Chez Kohler, nous sommes fiers du rendement de nos produits et nous savons que vous le serez aussi.

Veillez prendre s'il vous plaît quelques minutes pour consulter ce guide du propriétaire. Prêter une attention toute particulière aux instructions d'entretien et de nettoyage.

Toute l'information dans ce manuel est basée sur la dernière disponible au moment de la publication. Chez Kohler, nous veillons constamment à améliorer la qualité de nos produits. Nous nous réservons le droit d'apporter des modifications aux caractéristiques, emballages et disponibilités des produits à tout moment, et ce sans préavis.

Votre baignoire à hydromassage Kohler

Votre nouvelle baignoire à hydromassage est conçue pour relaxer, stimuler, revigorer et tonifier votre corps. La baignoire à hydromassage consiste en les éléments suivants:

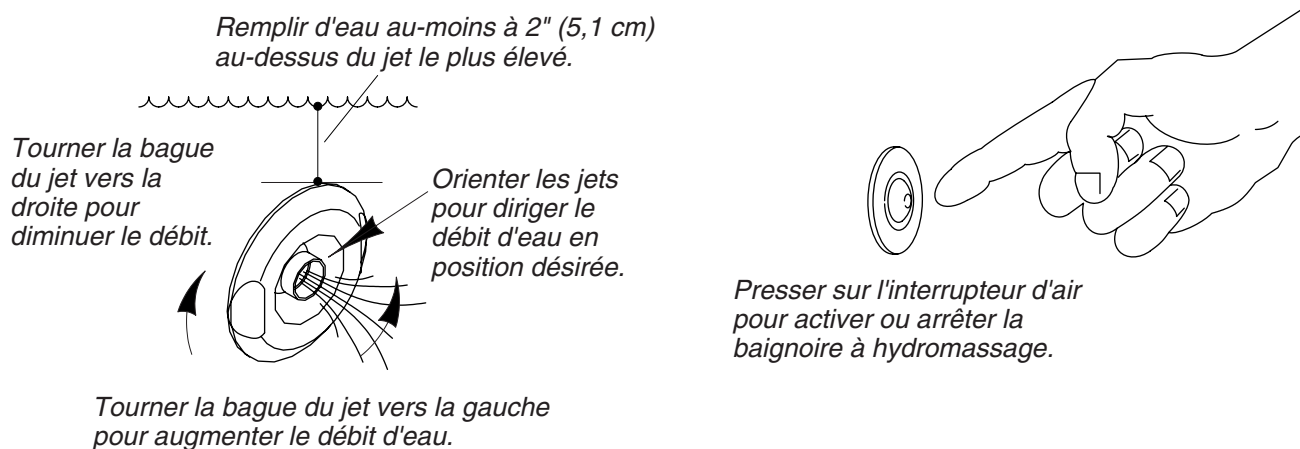
- **Baignoire** - agit comme un réservoir d'eau, et fournit un espace pour l'action d'hydromassage.

Votre baignoire à hydromassage Kohler (cont.)

- **Contrôle interrupteur d'air** - situé à portée de main, le contrôle interrupteur d'air active ou arrête la baignoire à hydromassage par l'intermédiaire d'un capteur sensible.
- **Moteur de pompe** - fournit une alimentation silencieuse et à vitesse variable pour faire circuler l'eau et créer l'action d'hydromassage.
- **Jets réglables** - positionnés de manière stratégique pour optimiser l'effet d'hydromassage, ils permettent d'ajuster le débit d'air et d'eau, ainsi que de contrôler la direction du jet selon le désir.

Votre baignoire à hydromassage peut aussi être pourvue des éléments suivants:

- **Chauffe-eau, modèles "H" uniquement (disponible dans la plupart des marchés)** - conçu pour aider à maintenir automatiquement la température de l'eau jusqu'à 104°F (40°C) et pour améliorer votre expérience d'hydromassage. Le chauffe-eau s'active automatiquement lorsque la baignoire à hydromassage est en service, puis il s'éteint lorsque le moteur de pompe s'arrête.
- **Kit de minuterie (disponible en option)** - arrête automatiquement la pompe après 20 minutes de fonctionnement continue de la baignoire à hydromassage.
- **Bandeau intégré ou amovible (disponible sur des modèles sélectionnés)** - conçus pour compléter le style et les contours de la baignoire à hydromassage. Le bandeau de la baignoire à hydromassage fournit aussi un accès frontal à la pompe et aux contrôles en cas de service nécessaire.



Opérer votre baignoire à hydromassage

- Orienter les jets vers le fond du bassin. Tourner les bagues de garniture du jet complètement vers la gauche.

REMARQUE : La température de la baignoire à hydromassage ne doit pas excéder 104°F (40°C).

- Fermer le drain, et remplir la baignoire à hydromassage à un niveau d'au moins 2" (5 cm) au-dessus du jet le plus élevé. Utiliser la main pour tester la température de l'eau pour le confort, puis entrer doucement dans la baignoire.
- Appuyer sur l'interrupteur d'air pour activer la baignoire à hydromassage.

REMARQUE : Si équipé, le chauffe-eau s'activera aussi.

- Ajuster les jets pour un mélange optimal de l'eau et de l'air. Tourner les bagues du jet vers la droite pour réduire le débit d'air, ou vers la gauche pour l'augmenter. Orienter les jets pour diriger le débit d'eau vers la direction désirée pour optimiser l'action d'hydromassage.
- Appuyer sur l'interrupteur d'air une seconde fois pour arrêter la baignoire à hydromassage.
- Sortir doucement de la baignoire à hydromassage, et ouvrir le drain pour la vider.

REMARQUE : Si votre baignoire à hydromassage comprend une minuterie optionnelle, la baignoire s'arrêtera après environ 20 minutes de fonctionnement continu. Il est possible d'activer la baignoire en enfonçant sur l'actionneur d'air.

REMARQUE : Si la baignoire à hydromassage ne fonctionne pas correctement, se reporter à la section dépannage.

Nettoyer la baignoire à hydromassage

Pour de meilleurs résultats, prendre ce qui suit en considération lors de l'entretien de votre produit KOHLER:

- Utiliser un détergent doux tel que liquide pour vaisselle et de l'eau chaude pour nettoyer. Ne pas utiliser de nettoyeurs abrasifs car ils pourraient rayer ou abîmer la surface.
- Lire attentivement l'étiquette du produit de nettoyage pour vérifier qu'il soit adéquat à utiliser sur le matériau.
- Toujours tester la solution de nettoyage sur une surface la moins évidente avant de l'appliquer sur la totalité de la surface.
- Ne pas permettre aux nettoyeurs de reposer sur la surface.
- Essuyer les surfaces et rincer complètement avec de l'eau immédiatement après l'application du nettoyeur. Rincer et sécher tout éclaboussement sur les surfaces annexes.

Nettoyer la baignoire à hydromassage (cont.)

- Utiliser une éponge ou un chiffon doux et humide. Ne jamais utiliser de matériau abrasif tel que brosse ou éponges à récurer pour nettoyer les surfaces.

Pour l'information détaillée de nettoyage et des produits à considérer, visiter www.kohler.com/clean. Pour commander des informations d'entretien et de nettoyage, composer le 1-800-456-4537 puis presser 1 pour les produits Kohler et 3 pour littérature.

Purger le système de baignoire d'hydromassage

- Purger le système d'hydromassage deux fois par mois ou plus, selon la fréquence d'utilisation. Suivre la séquence suivante:
 - Tourner les bagues du jet complètement vers la droite pour réduire l'induction d'air.
 - Remplir la baignoire d'eau chaude à au moins 2" (5,1 cm) au-dessus du gicleur le plus élevé.
 - Ajouter à l'eau 2 cuillères à soupe (30 ml) d'un détergent pour lave-vaisselle peu moussant et 20 onces (590 ml) d'eau de javel (5% - 6% d'hypochlorite de sodium).
 - Faire fonctionner la baignoire à hydromassage pendant 5 à 10 minutes. Arrêter la baignoire à hydromassage et purger.
 - Si désiré, rincer les surfaces de la baignoire avec de l'eau.
 - Rincer les surfaces des jets, le robinet, les barres d'appuis, le drain, etc. et sécher avec un chiffon doux.

Garantie limitée d'un an - Pour les É.-U. et Canada

Pour les É.U. et le Canada uniquement

Les produits de plomberie KOHLER sont garantis contre tout défaut matériel et de fabrication pour un an, à partir de la date de l'installation.

Kohler Co. jugera à sa discrétion, de la réparation, du remplacement ou du réglage approprié et ceci après toute inspection faite par Kohler Co. de tous défauts dus à une utilisation normale et ceci pendant un (1) an à partir de la date d'installation. Kohler Co. n'est pas responsable des coûts de démontage ou d'installation. L'utilisation de nettoyeurs à l'intérieur du réservoir annulera la garantie.

Pour obtenir un service-garantie, contacter Kohler Co. par l'intermédiaire de votre vendeur, plombier, centre de rénovation, revendeur par internet ou par écrit à Kohler Co. à l'attention de: Département du service clientèle, 444 Highland Drive, Kohler, Wisconsin 53044, USA, ou en composant le 1-800-4-KOHLER à partir des É.U., le 1-800-964-5590 à partir du Canada et le 001-877-680-1310 depuis le Mexique.

Les garanties implicites, y compris celles de qualité marchande et d'aptitude à un emploi particulier, se limitent expressément à la durée de la présente garantie. Kohler Co. et/ou le vendeur déclinent toutes responsabilités contre tous dommages occasionnés, imprévisibles ou corrélatifs.

Certains états/provinces ne permettent pas la limitation sur la durée de la garantie, ou l'exclusion ou la limitation spéciale, de dommages occasionnés, ou corrélatifs à un accident, ainsi ces limitations ou exclusions pourraient ne pas s'appliquer dans votre cas. Cette garantie vous donne des droits légaux spécifiques. Vous pouvez également avoir d'autres droits qui varient d'un état/province à l'autre.

Ceci constitue la garantie écrite exclusive de Kohler Co.

Procédures de dépannage

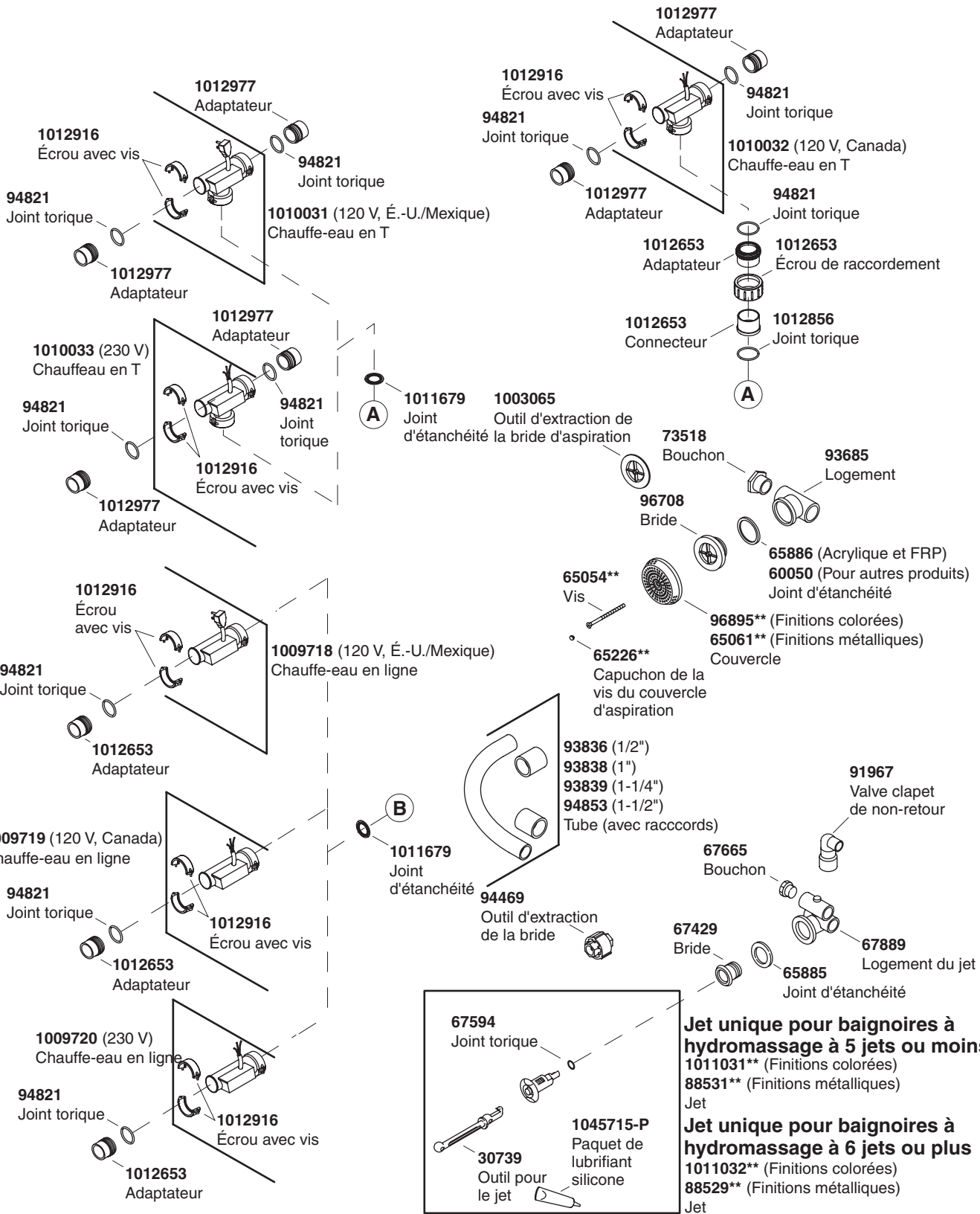
Ce guide de dépannage est seulement destiné à une aide générale. Seul un agent agréé de Kohler ou un électricien qualifié devrait corriger tous les problèmes électriques. Pour une réparation sous garantie, contacter le vendeur ou distributeur.

Procédures de dépannage (cont.)

Symptômes	Causes probables	Action recommandée
1. La baignoire à hydromassage ne démarre/s'arrête pas.	<p>A. Pas d'alimentation à la pompe.</p> <p>B. Retirer le panneau d'accès et presser l'interrupteur d'air, si l'on n'entend pas de "clic", le tubage de l'interrupteur est desserré ou déconnecté.</p> <p>C. Le tubage d'interrupteur d'air est pincé ou plié.</p> <p>D. Le bouton poussoir est endommagé.</p> <p>E. La pompe est alimentée et un "clic" est entendu lorsque l'interrupteur d'air est pressé. La pompe est défectueuse.</p> <p>F. Le receveur dans la pompe est défectueux</p> <p>G. Le système a un kit de minuterie et la pompe n'est pas en position MARCHÉ.</p>	<p>A. Vérifier que la pompe est branchée et que le GFCI/ELCB ne soit pas déclenché. Vérifier que la prise ait du courant en utilisant un multimètre ou en connectant un appareil de 110 V fonctionnant (lampe, radio, etc.) dans la prise. Réparer au besoin.</p> <p>B. Vérifier que le tubage de l'interrupteur est connecté aux extrémités receveur/pompe et interrupteur d'air. Reconnecter si besoin.</p> <p>C. Ajuster le tubage pour dégager l'endroit pincé/plié. Si la pliure ne peut être éliminée, ou bien qu'une pliure est apparente, percer un petit trou dans le tubage avec un petit clou et essayer le système à nouveau.</p> <p>D. Remplacer l'ensemble du bouton poussoir.</p> <p>E. Remplacer la pompe.</p> <p>F. Remplacer le receveur ou la pompe.</p> <p>G. Se référer aux instructions d'installation du kit de minuterie.</p>
2. Le système démarre mais ne reste pas en MARCHÉ.	<p>A. Le receveur dans la pompe est défectueux</p>	<p>A. Remplacer le receveur ou la pompe.</p>
3. La baignoire à hydromassage s'arrête automatiquement.	<p>A. Le système inclut une minuterie intégrée et s'arrêtera automatiquement après 18 minutes.</p> <p>B. La pompe a surchauffé et les dispositifs de protection sont activés.</p> <p>C. GFCI/ELCB sont déclenchés.</p>	<p>A. Vérifier que le système a une minuterie intégrée, dans ce cas, aucune action supplémentaire n'est nécessaire.</p> <p>B. Vérifier s'il y a blocage aux prises d'air du moteur. Vérifier si la conduite d'aspiration n'est pas bouchée. Vérifier si les jets sont bouchés. Retirer toute obstruction et laisser le moteur refroidir.</p> <p>C. Identifier la source du problème et corriger. Vérifier que le GFCI/ELCB ne soit pas déclenché. Si le problème persiste, contacter un électricien.</p>
4. Le moteur démarre mais certains jets ne fonctionnent pas.	<p>A. Les jets sont fermés.</p> <p>B. Les jets sont bloqués ou la rotation de la bague de garniture est entravée.</p>	<p>A. Pivoter la bague de garniture du jet vers la gauche pour ouvrir/augmenter le débit aux jets.</p> <p>B. De la colle pourrait obstruer l'ouverture du jet ou empêcher la bague de garniture du jet de pivoter. Retirer la bague de garniture et tout excès de colle.</p>

Procédures de dépannage (cont.)

Symptômes	Causes probables	Action recommandée
	<p>C. Les jets ne sont pas installés correctement.</p> <p>D. La pompe n'est pas correctement supportée et cavite.</p>	<p>C. Réinstaller le jet; s'assurer que le joint torique ne soit pas endommagé.</p> <p>D. Revoir les instructions d'installation et vérifier que la pompe soit à la hauteur appropriée et que ses sangles (lorsqu'applicable) ont été coupées.</p>
5. Fonctionnement de la pompe bruyant.	<p>A. Les sangles de la pompe n'ont pas été coupées (modèles avec blocs de support uniquement).</p>	<p>A. En utilisant une cisaille de ferblantier, couper les sangles de la pompe.</p>
6. Le chauffe-eau ne fonctionne pas (unités avec chauffe-eau uniquement).	<p>A. Pas de courant au chauffe-eau ou celui-ci n'est pas connecté à une prise séparée de la pompe.</p> <p>B. La température de l'eau est au dessus de 104° F (40° C).</p>	<p>A. Vérifier que le chauffe-eau est connecté à une prise séparée de la pompe et que la connexion ait du courant.</p> <p>B. Comme mesure de précaution, le chauffe-eau ne fonctionnera pas lorsque la température d'eau est au-dessus de 104° F (40° C).</p>



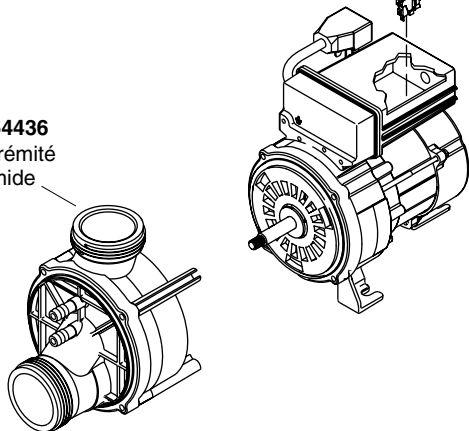
****Vous devez spécifier les codes de la finition et/ou de la couleur quand vous passez votre commande.**

Pièces de rechange

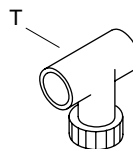
1052586 (120 V, É.-U./Mexique)
1054430 (120 V, Canada)
 Pompe

1054431
 Interrupteur
 receveur

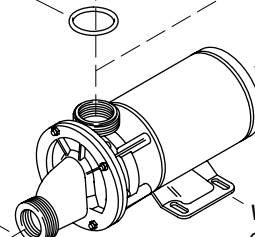
1054436
 Extrémité
 humide



1010029



60980
 Joint torique



1041995**
 Interrupteur
 d'air

1034673
 Connecteur



94821
 Joint torique



1005363
 Écrou coulissant



*Voir détails support
 de pompe.*

1008233 (120 V, É.-U./Mexique)
1008234 (120 V, Canada)
 Pompe

1010546 (120 V, É.-U./Mexique)
1010547 (Canada)
 Moteur/Contrôle

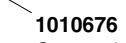
1010674
 Roue à aubes



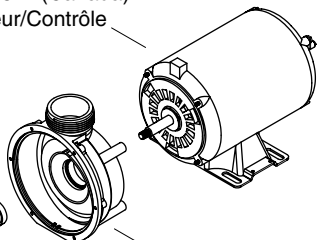
1010675
 Joint torique



1010676
 Couvercle



1010677
 Vis



1010548
 Volute

1008235 (230 V)
 Pompe

1009763 (230 V)
 Moteur/Contrôle

1013755
 Roue à aubes



1010673
 Joint d'étanchéité



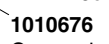
1010548
 Volute



1010675
 Joint torique



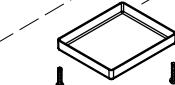
1010676
 Couvercle



1010677
 Vis



1015058
 Couvercle



1015057
 Vis

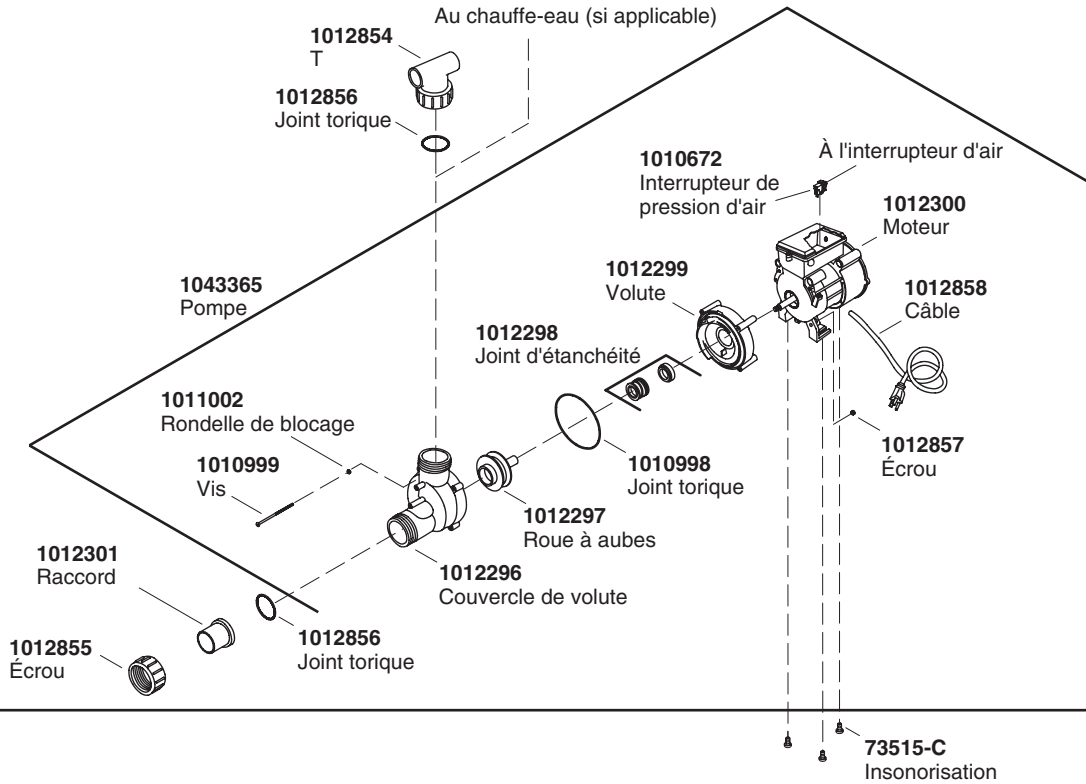


1010672
 Interrupteur
 d'air

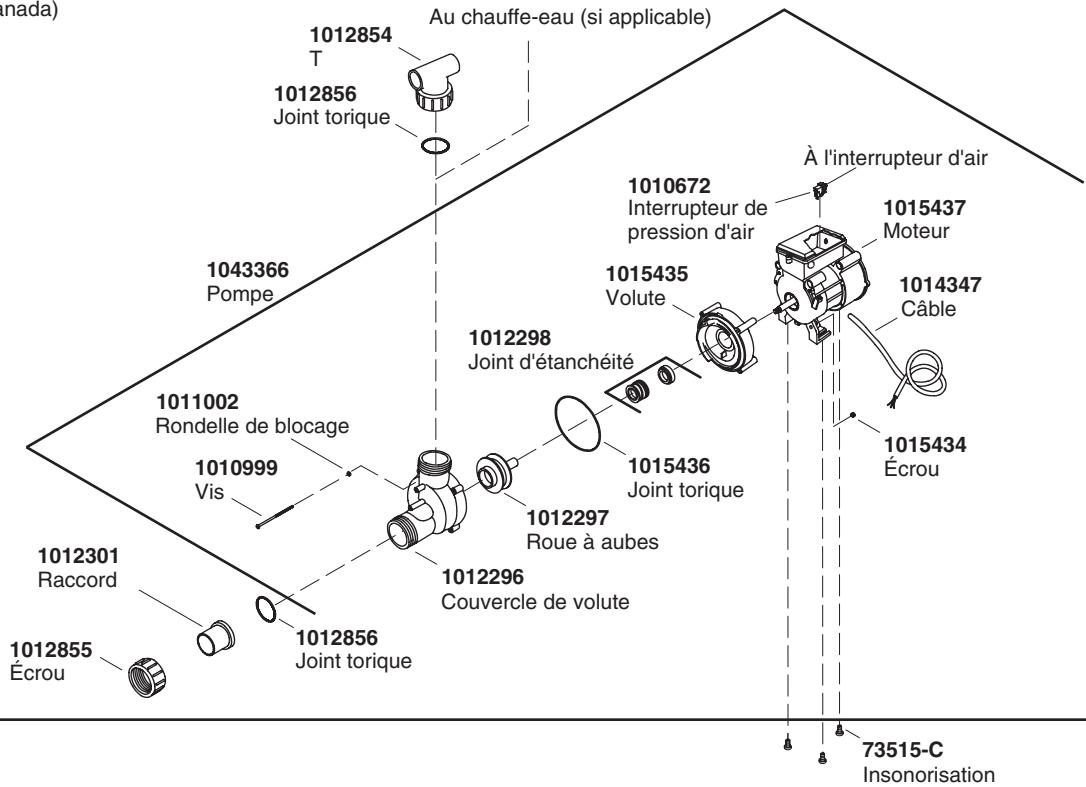


****Vous devez spécifier les codes de la finition et/ou de la couleur quand vous passez votre commande.**

1012859 (120 V, É.-U./Mexique)
Pompe



1008232 (120 V, Canada)
Pompe



****Vous devez spécifier les codes de la finition et/ou de la couleur quand vous passez votre commande.**

Guía del usuario






Bañeras de hidromasaje

Instrucciones de funcionamiento

INSTRUCCIONES RELATIVAS AL RIESGO DE INCENDIO, DESCARGA ELÉCTRICA O LESIONES PERSONALES

LEA Y SIGA TODAS LAS INSTRUCCIONES

GUARDE ESTAS INSTRUCCIONES

-  **ADVERTENCIA:** Al usar aparatos eléctricos, siga siempre las precauciones básicas, incluyendo las siguientes:
-  **PELIGRO: Riesgo de lesiones personales.** Para reducir el riesgo de lesiones, no permita que los niños usen este producto sin la estricta supervisión en todo momento.
-  **ADVERTENCIA: Riesgo de lesiones personales.** Para evitar lesiones, tenga cuidado al entrar y salir de la bañera de hidromasaje.
-  **ADVERTENCIA: Riesgo de descarga eléctrica.** No coloque aparatos eléctricos (como secador de pelo, lámparas, teléfono, radio o televisión) a menos de 5' (1,5 m) de esta bañera de hidromasaje.
-  **ADVERTENCIA: Riesgo de hipertermia.** Las personas bajo tratamiento médico o que padezcan de alguna condición médica deben consultar con un médico antes de utilizar una bañera de hidromasaje equipada con un calentador.


Use esta bañera de hidromasaje únicamente con el fin para el que se ha fabricado, tal como se explica en este manual. No utilice accesorios que no estén recomendados por el fabricante.

No deje caer ni introduzca objetos en ninguna de las aberturas.

No permita que este producto funcione sin la tapa protectora (tapadera) en la conexión de succión.

La bañera de hidromasaje debe conectarse solamente a un circuito eléctrico protegido con un interruptor de pérdida a tierra (GFCI) o disyuntor de fuga a tierra (ELCB). El instalador debe proveer el interruptor de protección GFCI o ELCB, cuyo funcionamiento debe probarse de manera rutinaria. Para probar el interruptor de protección GFCI o ELCB, oprima el botón de prueba (test). El interruptor de protección GFCI o ELCB debe interrumpir la alimentación eléctrica. Oprima el botón (reset) de restablecer la alimentación eléctrica. Esto debe restablecer la alimentación eléctrica. Si el interruptor de protección GFCI o ELCB no funciona de este modo, significa que está averiado. Si el interruptor de protección GFCI o ELCB, interrumpe la alimentación eléctrica a la bañera sin haber oprimido el botón de prueba, significa que existe corriente a tierra y la posibilidad de una descarga eléctrica. No utilice esta bañera de hidromasaje. Desconecte la bañera de hidromasaje, y antes de usarla, haga que un representante de servicio autorizado solucione el problema.

NOTA: Si el cable eléctrico de la bomba está dañado, debe ser reemplazado por el fabricante, un agente de servicio autorizado por el fabricante o personas igualmente calificadas para así evitar un peligro. El cable eléctrico del calentador no se puede reemplazar. Si el cable eléctrico está dañado, el calentador se debe desechar.

-  **ADVERTENCIA:** El uso de alcohol, drogas o medicamentos puede aumentar enormemente el riesgo de sufrir hipertermia fatal. La inmersión prolongada en agua caliente puede producir hipertermia. La hipertermia ocurre cuando la temperatura interna del cuerpo alcanza un nivel superior a la

Instrucciones de funcionamiento (cont.)

temperatura corporal normal de 98,6°F (37°C). Los síntomas de la hipertermia incluyen el aumento de la temperatura corporal interna, mareos, letargo, somnolencia y desfallecimiento. Los efectos de la hipertermia incluyen: (a) incapacidad para percibir calor, (b) incapacidad para reconocer la necesidad de salir de la bañera, (c) inconsciencia de un peligro inminente, (d) daño al feto en mujeres embarazadas, (e) inhabilidad física para salir de la bañera y (f) pérdida del conocimiento con peligro de ahogarse.

¡IMPORTANTE! Limpie el sistema de su bañera de hidromasaje dos o más veces al mes dependiendo del uso, tal como se describe en las instrucciones de cuidado y limpieza en este manual.

La temperatura del agua en la bañera no debe exceder los 104°F (40°C).

Mantenga los objetos pequeños tales como los juguetes y accesorios de baño fuera de la bañera de hidromasaje cuando esté en funcionamiento.

El uso constante de productos de higiene personal que contengan aceites puede dañar los componentes plásticos de la bañera de hidromasaje. No utilice champús a base de productos vegetales ni aceites de baño.

La acción del hidromasaje puede hacer que una pequeña cantidad de líquidos para hacer burbujas, champú, jabón o aceite de baño espume en exceso. Por esta razón, no utilice estos productos durante el funcionamiento de la bañera de hidromasaje.

Su nueva bañera de hidromasaje de Kohler está incluida en la lista de Underwriter's Laboratories, aumentando así su seguridad y la de su familia. Asimismo, esta bañera de hidromasaje cumple con las estrictas normas del ANSI e IAPMO establecidas dentro de la industria de plomería.

Contenido

Instrucciones de funcionamiento	1
Gracias por elegir los productos de Kohler	2
Su bañera de hidromasaje de Kohler	2
Funcionamiento de su bañera de hidromasaje	4
Limpieza de la bañera de hidromasaje	4
Limpieza del sistema de su bañera de hidromasaje	5
Garantía limitada de un año - Estados Unidos y Canadá	5
Garantía de un año - México	5
Procedimientos para resolver problemas	6
Piezas de repuesto	9

Gracias por elegir los productos de Kohler

Gracias por elegir la línea de productos de The Bold Look of Kohler. La artesanía de Kohler le ofrece una rara combinación de rendimiento comprobado y agraciada elegancia capaces de satisfacer sus exigencias durante muchos años. La fiabilidad y belleza de su producto Kohler sobrepasarán sus mayores expectativas. En Kohler, nos sentimos orgullosos de nuestros productos y sabemos que usted también lo estará.

Dedique unos minutos para leer esta Guía del usuario. Preste especial atención a las instrucciones de cuidado y limpieza.

Toda la información contenida en este manual está basada en la información más reciente disponible al momento de su publicación. En Kohler, nos esforzamos constantemente por mejorar la calidad de nuestros productos. Por lo tanto, Kohler se reserva el derecho de efectuar cambios en las características del producto, embalaje o disponibilidad en cualquier momento, sin previo aviso.

Su bañera de hidromasaje de Kohler

Su nueva bañera de hidromasaje está diseñada para estimular, tonificar y dar energía a su cuerpo con una terapia de hidromasaje reconfortante. La bañera de hidromasaje consta de los siguientes componentes:

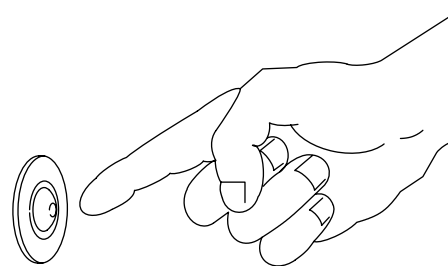
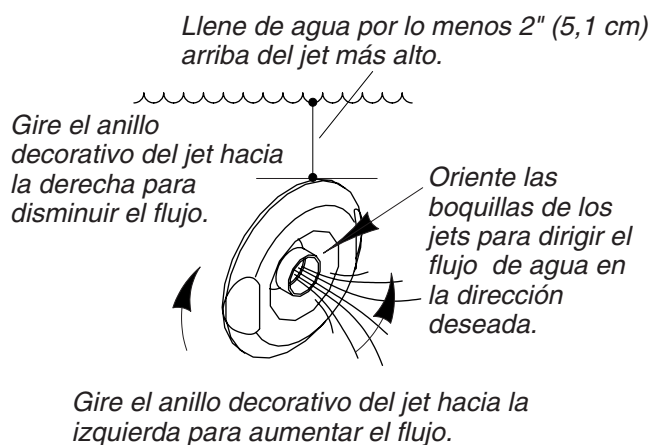
- **Bañera** - actúa como un depósito de agua y es el lugar de acción del hidromasaje.
- **Control del accionador de aire** - de fácil alcance, el control del accionador de aire enciende y apaga la bañera de hidromasaje mediante la activación de un confiable sensor.

Su bañera de hidromasaje de Kohler (cont.)

- **Motor bomba** - proporciona potencia silenciosa para hacer circular el agua y crear la acción calmante del hidromasaje.
- **Jets ajustables** - colocados de manera que optimizan el efecto del hidromasaje, los jets le permiten ajustar el flujo de aire y agua, así como controlar la dirección del flujo que desee.

La bañera de hidromasaje también puede incluir los siguientes componentes:

- **Calentador, sólo los modelos "H" (disponible en la mayoría de los mercados)** - diseñado para ayudar a mantener automáticamente la temperatura del agua hasta en 104°F (40°C) y así aumentar el placer de la experiencia del hidromasaje. El calentador se enciende automáticamente cuando la bañera de hidromasaje está funcionando y se apaga cuando el motor bomba se apaga.
- **Kit de temporizador (disponible como accesorio opcional)** - detiene automáticamente la bomba después de 20 minutos de funcionamiento continuo.
- **Faldón integral o desmontable (disponible en algunos modelos)** - diseñado para complementar el estilo y contornos de su bañera de hidromasaje. El faldón de la bañera de hidromasaje también facilita el acceso a la bomba y los controles por la parte frontal en caso de mantenimiento.



Presione el accionador de aire para encender o apagar la bañera de hidromasaje.

Funcionamiento de su bañera de hidromasaje

- Coloque las boquillas de los jets de manera que miren hacia abajo en la bañera. Gire el anillo decorativo de los jets totalmente hacia la izquierda.

NOTA: La temperatura del agua en la bañera de hidromasaje nunca debe exceder de 104°F (40°C).

- Cierre el desagüe y llene la bañera de hidromasaje al menos 2" (5,1 cm) por encima del jet más alto. Pruebe la temperatura del agua con la mano para su confort y seguridad y luego entre en la bañera con cuidado.
- Oprima el accionador de aire para encender la bañera de hidromasaje.

NOTA: El calentador, si está equipado, también se encenderá.

- Ajuste los jets para obtener una mezcla óptima de aire/agua. Gire el anillo decorativo de los jets hacia la derecha para reducir el flujo de aire, y hacia la izquierda para aumentarlo. Oriente las boquillas de los jets en la dirección deseada para aprovechar al máximo la experiencia del hidromasaje.
- Vuelva a oprimir el accionador de aire por segunda vez para apagar la bañera de hidromasaje.
- Salga de la bañera con cuidado y abra el desagüe para vaciar la bañera de hidromasaje.

NOTA: Si su bañera de hidromasaje incluye un kit de temporizador opcional, la bañera se apagará después de aproximadamente 20 minutos de funcionamiento continuo. Si lo desea puede volver a iniciar el funcionamiento de la bañera de hidromasaje, presionando el accionador de aire.

NOTA: Si la bañera de hidromasaje no funciona correctamente, consulte la sección para resolver problemas.

Limpieza de la bañera de hidromasaje

Para obtener los mejores resultados, tenga presente lo siguiente al limpiar su producto KOHLER:

- Para la limpieza, utilice solamente un detergente suave como el jabón líquido para lavar platos y agua tibia. No utilice limpiadores abrasivos que puedan rayar u opacar la superficie.
- Lea atentamente la etiqueta del producto de limpieza para asegurar que no presente riesgos al usarse en el material.
- Siempre pruebe la solución de limpieza en un área oculta antes de aplicarla a toda la superficie.
- No deje por tiempo prolongado los limpiadores en la superficie.
- Limpie con un trapo y enjuague completa e inmediatamente con agua después de aplicar limpiadores. Enjuague y seque las superficies cercanas que se hayan rociado.

Limpieza de la bañera de hidromasaje (cont.)

- Utilice una esponja o trapo suave y húmedo. Nunca utilice materiales abrasivos como cepillos o estropajos de tallar para limpiar las superficies.

Para obtener información detallada de limpieza y los limpiadores a considerar, visite www.kohler.com/clean. Para solicitar información sobre el cuidado y la limpieza, llame al 1-800-456-4537 y presione 1 para productos Kohler y luego 3 para documentos.

Limpieza del sistema de su bañera de hidromasaje

- Limpie el sistema de hidromasaje dos o más veces al mes, dependiendo del uso. Utilice la secuencia que sigue:
 - Gire los anillos decorativos de los jets totalmente a la derecha para reducir la inducción de aire.
 - Llene la bañera de hidromasaje con agua caliente al menos 2" (5,1 cm) por encima del jet más alto.
 - Añada al agua 2 cucharadas (30 ml) de detergente para lavaplatos que espume poco y 20 onzas (590 ml) de cloro (lejía) para uso doméstico (5% - 6% hipoclorito sódico).
 - Haga funcionar la bañera de hidromasaje de 5 a 10 minutos. Luego, apague y vacíe la bañera.
 - Si lo desea, enjuague las superficies de la bañera con agua.
 - Enjuague las superficies de los jets, la grifería, las agarraderas, el desagüe, etc. y séquelas con un paño suave.

Garantía limitada de un año - Estados Unidos y Canadá

Para los Estados Unidos y Canadá solamente

Se garantiza que los productos de plomería KOHLER están libres de defectos de material y mano de obra por un año a partir de la fecha de instalación.

Kohler Co., a su criterio, reparará, reemplazará o realizará los ajustes pertinentes en los casos en que la inspección realizada por Kohler Co. determine que dichos defectos ocurrieron durante el uso normal en el transcurso de un (1) año a partir de la fecha de la instalación. Kohler Co. no se hace responsable de los gastos de desinstalación o instalación. El uso de limpiadores de inodoro que se colocan dentro del tanque anulará la garantía.

Para obtener el servicio de garantía, comuníquese con Kohler Co. a través de su distribuidor, contratista de plomería o distribuidor a través de Internet, o escriba directamente a: Kohler Co., Attn.: Customer Service Department, 444 Highland Drive, Kohler, WI 53044, USA, o llame al 1-800-4-KOHLER desde los Estados Unidos, al 1-800-964-5590 desde Canadá, o al 001-877-680-1310 desde México.

Toda garantía implícita en relación a productos de uso comercial, incluyendo la comercialización e idoneidad del producto para un uso determinado, se limita expresamente a la duración de la presente garantía. Kohler Co. y/o el vendedor no se hacen responsables por concepto de daños particulares, incidentales o indirectos.

Algunos estados/provincias no permiten limitaciones en cuanto a la duración de una garantía implícita o a la exclusión o limitación de daños particulares, incidentales o indirectos, por lo que estas limitaciones y exclusiones pueden no aplicar a su caso. La presente garantía le otorga ciertos derechos legales específicos. Además, usted puede tener otros derechos que varían de estado a estado y provincia a provincia.

El presente documento constituye la garantía exclusiva por escrito de Kohler Co.

Garantía de un año - México

Sólo para México

KOHLER CO.

Al adquirir el producto, se recomienda verificar que todos los accesorios y componentes estén completos en la caja.

Kohler Co. garantiza que el material y la mano de obra de este producto están libres de defectos, por un (1)

Garantía de un año - México (cont.)

año, a partir de la fecha de compra que aparece en la factura o recibo.

1. Kohler Co. prestará servicio únicamente a los productos comercializados a través de sus distribuidores autorizados.
2. A fin de obtener el servicio de garantía, favor de presentar la factura de compra y la garantía correspondiente.
3. Kohler Co., a través de sus distribuidores autorizados, se compromete a reparar el producto defectuoso o a reemplazarlo por uno nuevo o equivalente (en caso de que el producto esté descontinuado) cuando no sea posible la reparación, sin ningún cargo al consumidor.
4. El tiempo de reparación no excederá de seis (6) semanas, a partir de la fecha de recepción del producto.
5. Se recomienda al consumidor que conserve el recibo o factura de compra como protección adicional, pues el mismo puede sustituir a la garantía, en caso de que exista discrepancia en cuanto a la validez de la misma.

EXCEPCIONES Y RESTRICCIONES

La garantía no tendrá validez en los siguientes casos:

1. Cuando el producto no se haya utilizado conforme a las instrucciones de uso y funcionamiento incluidas en el manual del usuario o en las instrucciones de instalación y cuando no se hayan observado las recomendaciones y advertencias allí contenidas.
2. Cuando el producto se haya modificado o desmantelado parcial o totalmente; o manipulado de manera negligente y, como consecuencia, haya sufrido daños atribuibles al consumidor, persona o herrajes no autorizados por Kohler Co.
3. Esta garantía no cubre los daños que resulten de desastres naturales, tales como incendios o casos de fuerza mayor, incluyendo inundaciones, terremotos, tormentas eléctricas, etc. Para obtener una lista de distribuidores cerca de usted y así hacer valer sus derechos bajo esta garantía, llame al 001-877-680-1310.

KOHLER CO., KOHLER, WI 53044 U.S.A.

IMPORTADOR:

INTERNACIONAL DE CERÁMICA, S.A.B. DE C.V.

AV. CARLOS PACHECO NO. 7200

CHIHUAHUA, CHIH., MÉXICO C.P. 31060

TEL: 52 (14) 29-11-11

Procedimientos para resolver problemas

Esta guía para resolver problemas está diseñada únicamente como ayuda general. Un representante de servicio autorizado de Kohler o un electricista calificado debe resolver todos los problemas eléctricos. Para obtener servicio cubierto por la garantía, póngase en contacto con el vendedor o el distribuidor mayorista.

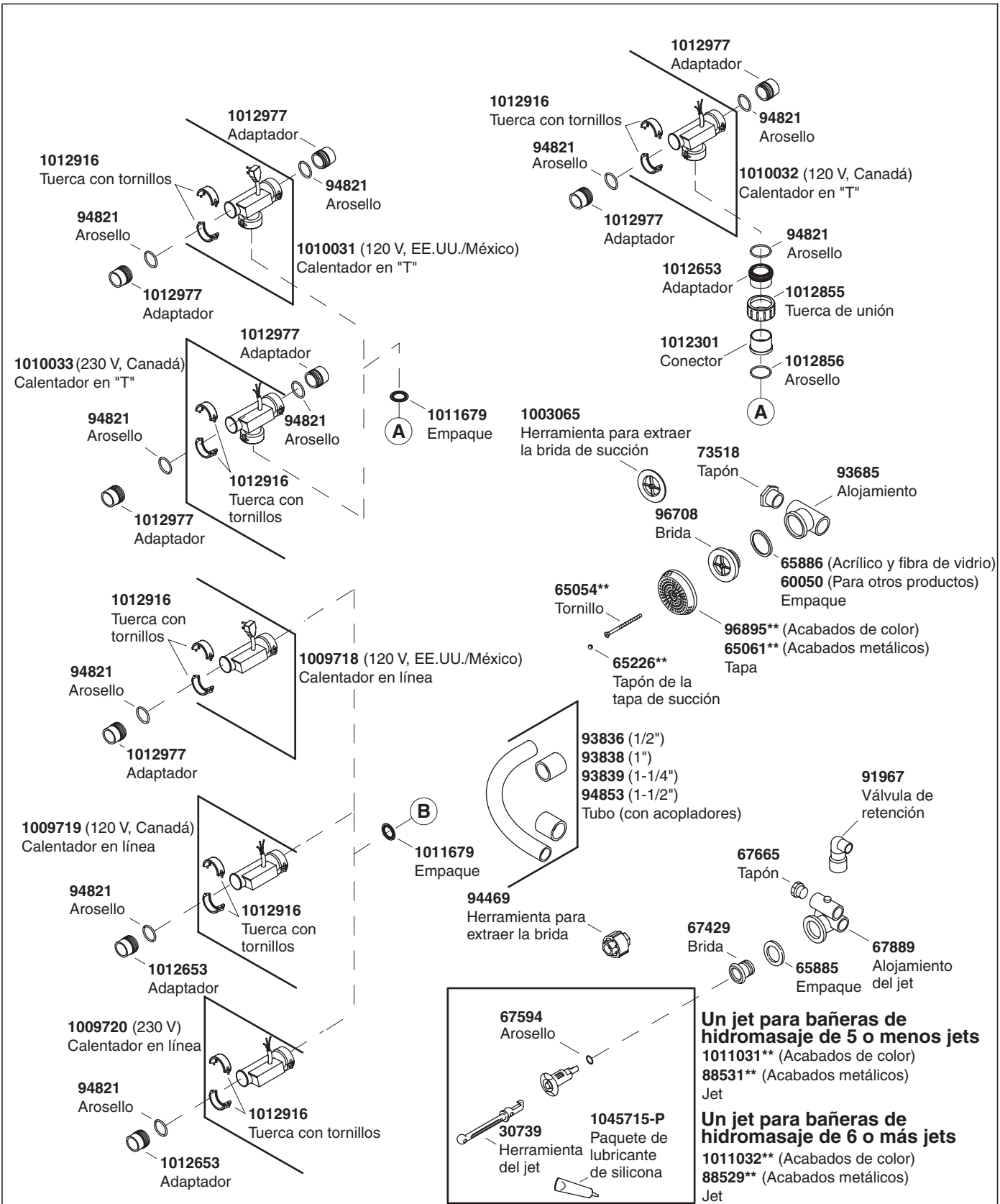
Síntomas	Causas probables	Acción recomendada
1. La bañera de hidromasaje no se enciende/apaga.	A. La bomba no tiene alimentación eléctrica.	A. Verifique que la bomba esté enchufada y que el interruptor GFCI/ELCB no se haya disparado. Utilizando un multímetro o conectando en el tomacorrientes un artefacto de 110V que sepa que funcione (foco, radio, etc.), verifique que el tomacorrientes tenga alimentación eléctrica. Repare según sea necesario.

Procedimientos para resolver problemas (cont.)

Síntomas	Causas probables	Acción recomendada
	<p>B. Retire el panel de acceso y oprima el interruptor de aire, si no escucha un "clic", el tubo del interruptor de aire está flojo o desconectado.</p> <p>C. El tubo del interruptor de aire está pellizcado o doblado.</p> <p>D. El montaje de botones está dañado.</p> <p>E. La bomba tiene alimentación eléctrica y se escucha un "clic" cuando se oprime el interruptor de aire. La bomba está averiada.</p> <p>F. El receptor de la bomba está averiado.</p> <p>G. El sistema tiene un kit de temporizador y el interruptor de la bomba no está en encendido.</p>	<p>B. Revise que el tubo del interruptor de aire esté conectado al extremo de la bomba/receptor y al interruptor de aire. Vuelva a conectar si es necesario.</p> <p>C. Ajuste el tubo para eliminar el área pellizcada/doblada. Si no se puede eliminar el área pellizcada/doblada, o no se ve ninguna sección pellizcada/doblada, perfora el tubo con una tachuela y vuelva a probar el sistema.</p> <p>D. Reemplace el montaje de botones.</p> <p>E. Reemplace la bomba.</p> <p>F. Reemplace el receptor o la bomba.</p> <p>G. Consulte las instrucciones de instalación del kit del temporizador.</p>
<p>2. El sistema enciende pero no se queda encendido.</p>	<p>A. El receptor de la bomba está averiado.</p>	<p>A. Reemplace el receptor o la bomba.</p>
<p>3. La bañera de hidromasaje se detiene automáticamente.</p>	<p>A. El sistema tiene un temporizador integrado y se apagará automáticamente después de 18 minutos.</p> <p>B. La bomba se ha sobrecalentado y se han activando los dispositivos de protección.</p> <p>C. El circuito GFCI o ELCB se ha disparado.</p>	<p>A. Verifique que el sistema tenga un temporizador integrado, si lo tiene, no es necesario ninguna acción adicional.</p> <p>B. Verifique que no haya obstrucciones en las ventilaciones del motor. Verifique que no haya obstrucciones en la succión. Verifique que no haya obstrucciones en los jets. Elimine la obstrucción y deje enfriar el motor.</p> <p>C. Identifique la causa de la falla y corrija. Verifique que el GFCI/ELCB no se haya disparado. Si el problema persiste, comuníquese con un electricista.</p>
<p>4. El motor enciende, pero no todos los jets funcionan.</p>	<p>A. Los jets están cerrados.</p> <p>B. Los jets están obstruidos o no es posible girar el anillo decorativo.</p> <p>C. Los jets no se han instalado correctamente.</p>	<p>A. Gire el anillo decorativo del jet hacia la izquierda para abrir/aumentar el flujo.</p> <p>B. El pegamento puede obstruir la abertura de los jets o evitar que el anillo decorativo gire. Retire el anillo decorativo y elimine el exceso de pegamento.</p> <p>C. Vuelva a instalar el jet; revise que el arosello no esté dañado.</p>

Procedimientos para resolver problemas (cont.)

Síntomas	Causas probables	Acción recomendada
	D. La bomba no tiene el soporte correcto y presenta cavitación.	D. Repase las instrucciones de instalación y verifique que la bomba esté a una altura adecuada y que las cintas de la bomba (si corresponde) se hayan cortado.
5. Funcionamiento ruidoso de la bomba.	A. No se han cortado las cintas de la bomba (sólo modelos con bloques de soporte).	A. Utilice tijeras de chapa para cortar las cintas de la bomba.
6. El calentador no funciona (sólo unidades con calentador).	A. El calentador no tiene alimentación eléctrica o no está conectado a un tomacorrientes independiente de la bomba. B. La temperatura del agua es mayor que 104°F (40°C).	A. Verifique que el calentador esté conectado a un tomacorrientes independiente de la bomba y que tenga alimentación eléctrica. B. Como precaución de seguridad, el calentador no funcionará cuando la temperatura del agua sea mayor de 104°F (40°C).



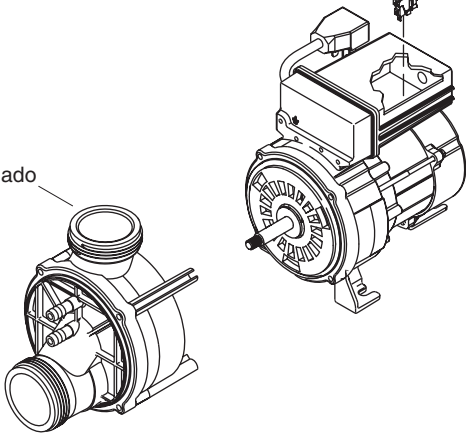
**Se debe especificar el código del acabado/color con el pedido.

Piezas de repuesto

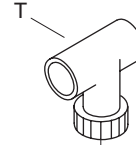
1052586 (120 V, EE.UU./México)
1054430 (120 V, Canadá)
 Bomba

1054431
 Interruptor de recepción

1054436
 Lado mojado



1010029



A

60980
 Arosello



1041995**
 Interruptor de aire

Vea los detalles del soporte de la bomba.

1034673
 Conector

B



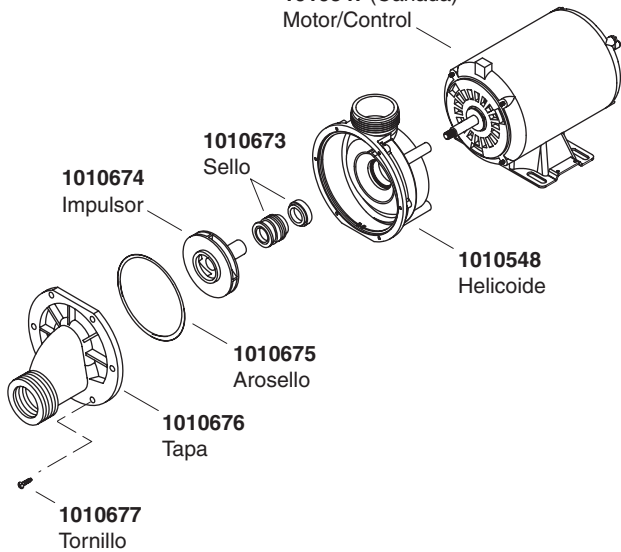
94821
 Arosello

1005363
 Tuerca deslizante

B

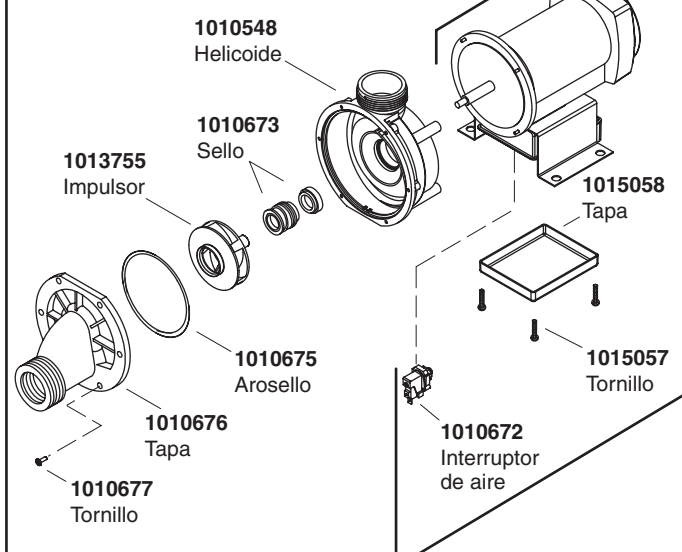
1008233 (120 V, EE.UU./México)
1008234 (120 V, Canadá)
 Bomba

1010546 (120 V, EE.UU./México)
1010547 (Canadá)
 Motor/Control



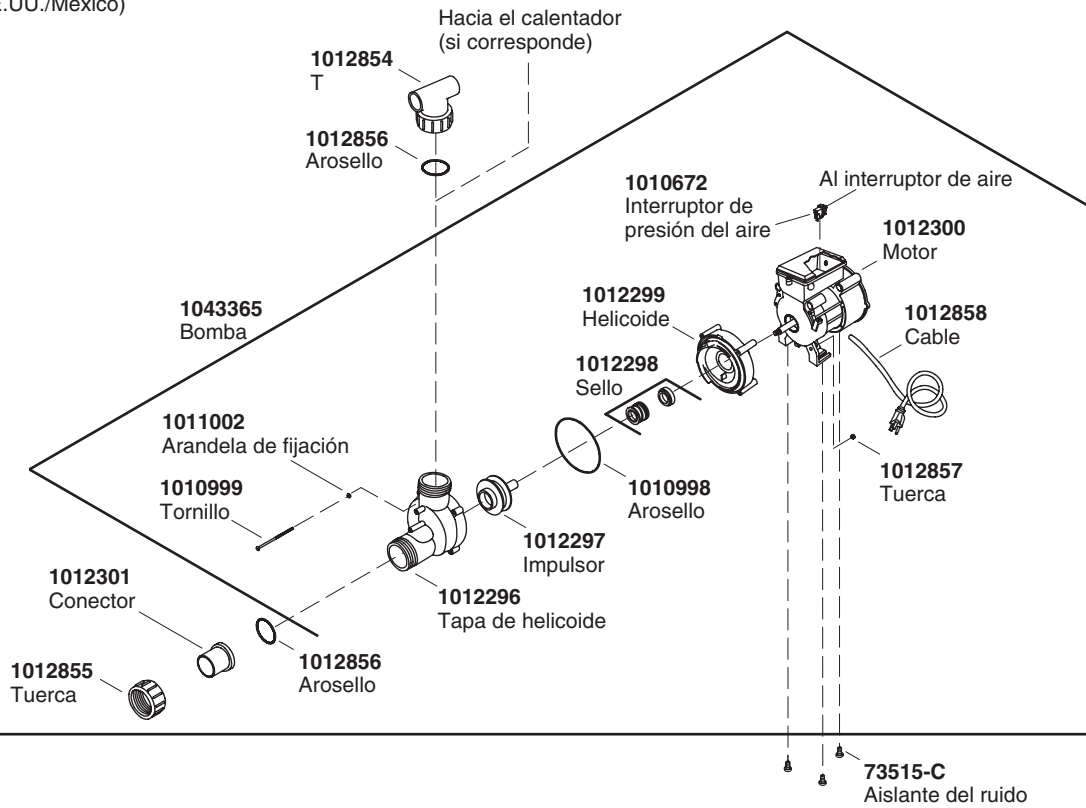
1008235 (230 V)
 Bomba

1009763 (230 V)
 Motor/Control

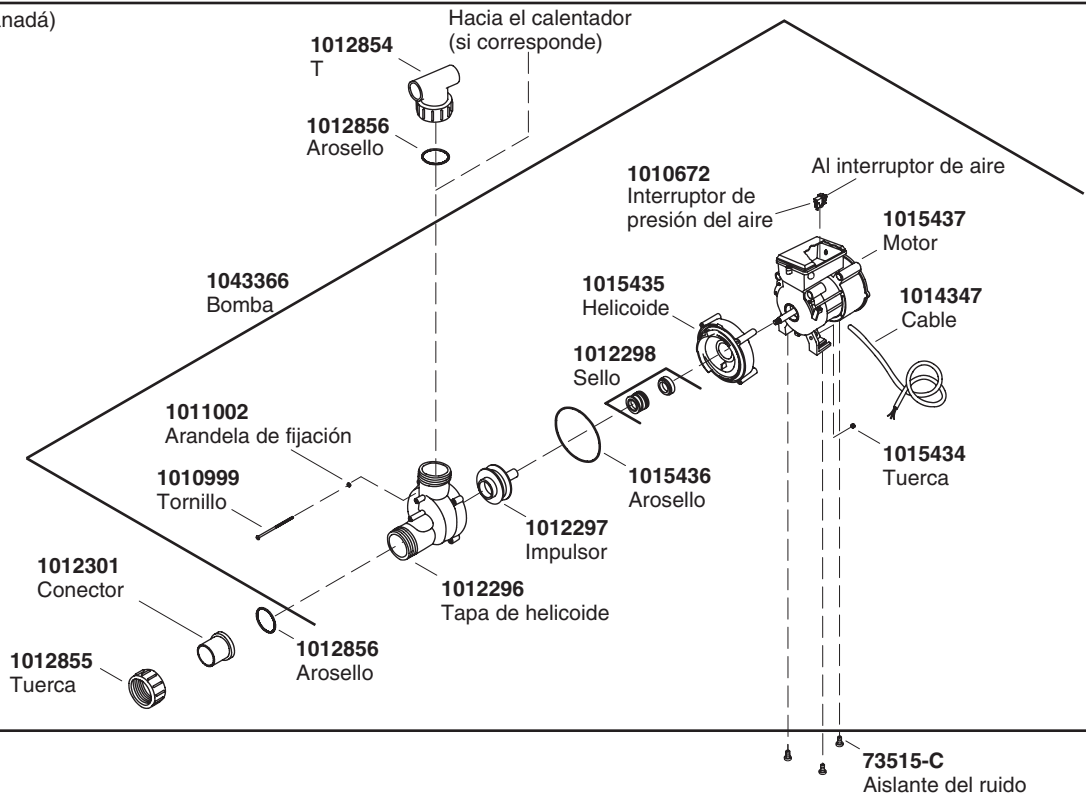


****Se debe especificar el código del acabado/color con el pedido.**

1012859 (120 V, EE.UU./México)
Bomba



1008232 (120 V, Canadá)
Bomba



****Se debe especificar el código del acabado/color con el pedido.**

USA: 1-800-4-KOHLER
Canada: 1-800-964-5590
México: 001-877-680-1310

kohler.com

THE BOLD LOOK
OF **KOHLER**®

©2006 Kohler Co.

1010564-5-J