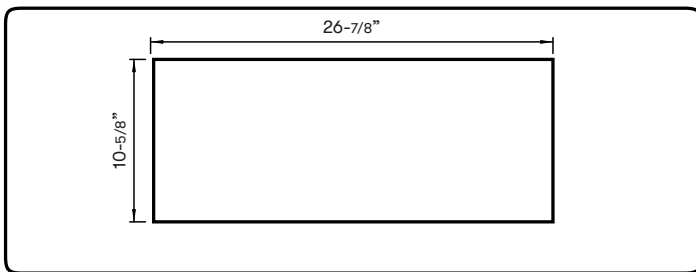




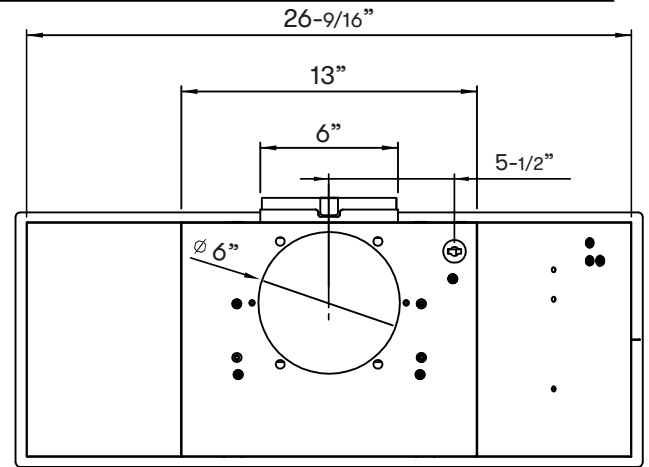
28" model



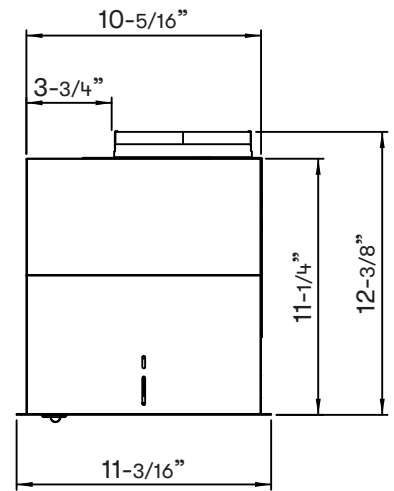
34" model



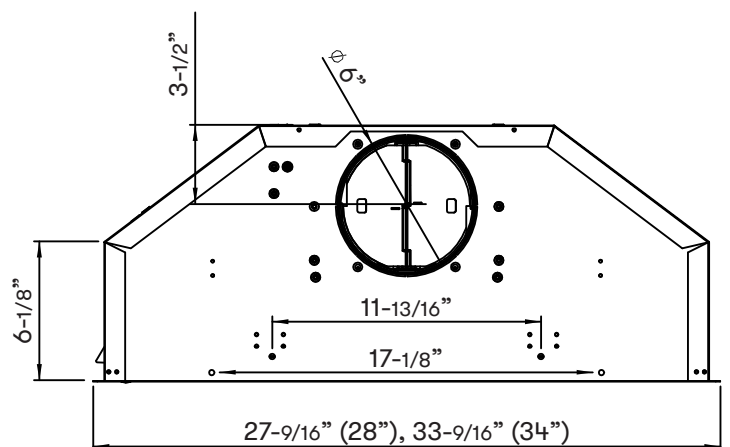
Cabinet Bottom Cut-Out Size (W x D): 26-7/8" x 10-5/8"



TOP



SIDE



BACK

MODEL		
Stainless Steel	AK8100BS	AK8134BS
Size	28" (27-9/16")	34" (33-9/16")
BLOWER PERFORMANCE		
Blower CFM (Min. - Max.)	200 - 600	200 - 600
Sones (Min. - Max.)	1.4 - 6	1.4 - 6
FEATURES		
Controls	Mechanical Slide	Mechanical Slide
Speed Levels	3	3
Auto Delay-Off	No	No
Lighting	LumiLight LED, 6W x2	LumiLight LED, 6W x2
Dual-Level Lighting	Yes	Yes
Filters	Hybrid Baffle x2	Hybrid Baffle x2
Recirculating Option	Yes	Yes
DUCT SPECIFICATIONS		
Vertical Internal Blower	6" Round	6" Round
Horizontal Internal Blower	6" Round	6" Round
AC POWER	120V, 60Hz at Max. 3A	120V, 60Hz at Max. 3A
OPTIONAL ACCESSORIES		
30" Liner (17-1/2" - 20-1/2" Depth)	AK0800AS	NA
36" Liner (17-1/2" - 20-1/2" Depth)	AK0836AS	AK0836AS
Recirculating Kit	ZRC-0080	ZRC-0080
Make-Up Air Kit	MUA006A	MUA006A
MOUNTING HEIGHT RANGE*		
Electric Cooking Surface	20" - 36"	20" - 36"
Gas Cooking Surface	24" - 36"	24" - 36"
WARRANTY		
	10 years parts, 1 year labor	10 years parts, 1 year labor

*Mounting height refers to distance between top of a 36" tall cooking surface and bottom of hood.