

Stainless Frame

Key Features

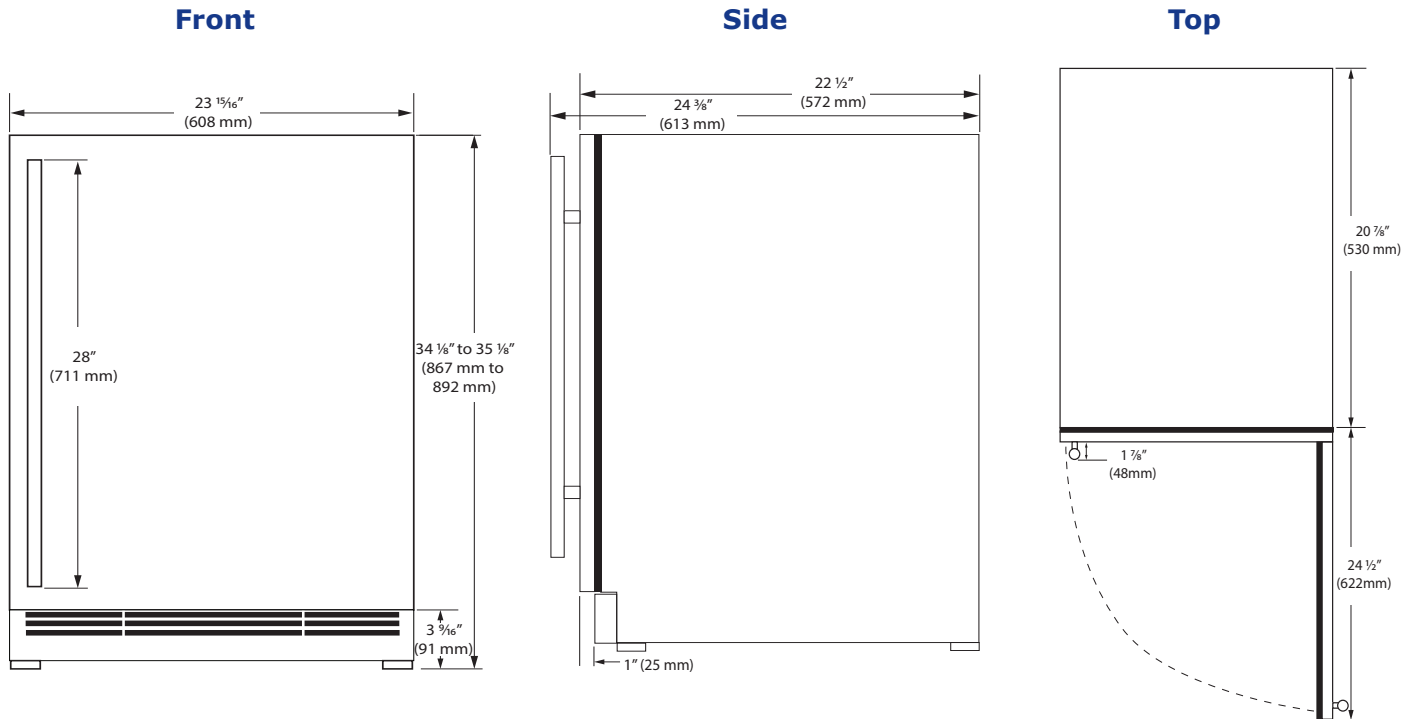
- Convection cooling system provides a quick cool down and consistent temperature
- Extended lower interior maximizes storage options
- Black interior
- LowE coated, argon gas filled, dual thermopane glass door provides protection from harmful UV Light
- Stainless steel grille and full-wrap door
- Four fixed black wine racks
- Wine racks accommodate a variety of bottle sizes including champagne and magnum bottles
- Digital touch pad control
- Temperature range: 5°C - 20°C
- Bright white LED lighting
- Volume of 161 L holds up to 38 wine bottles (750 ml)
- Stainless steel handle
- Field reversible door is shipped right-hand hinged
- Built-in or freestanding
- Four adjustable leveling legs

Model Details

Model	Voltage/Hz	Door Swing	Finish	Shipping Weight
UHWC024-SG02A	230 / 50	Field Reversible	Stainless Frame	124 lb / 56.2 kg

Accessories

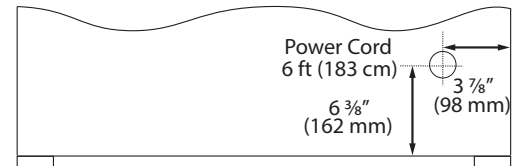
Model	Description	Finish	Shipping Weight
ULAFREESTANDB	Freestanding Kit	Black	3 lb / 1.4 kg
U-POWERCORD-2056	Power Cord 220 - 240 V Great Britain/Ireland	N/A	N/A
U-POWERCORD-2256	Power Cord 220 - 240 V Australia/New Zealand	N/A	N/A
U-POWERCORD-2667	Power Cord 220 - 240 V Continental Europe	N/A	N/A
U-POWERCORD-3071	Power Cord 220 - 240 V China	N/A	N/A
U-POWERCORD-3111	Power Cord 220 - 240 V India	N/A	N/A



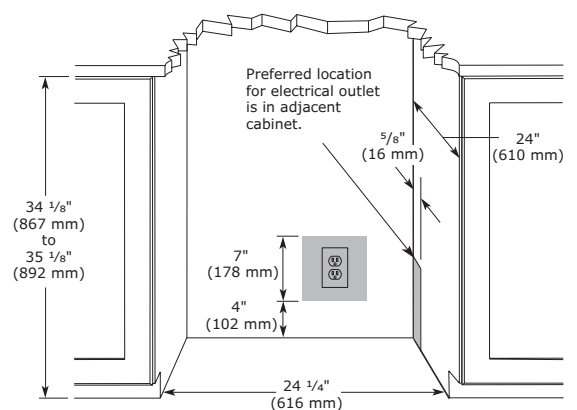
Specifications

Model	HWC024
Amps: Running (115 v)	1.2 A
Capacity: Wine Bottle (750 ml)	38
Capacity: Volume (L)	161
Dimensions: Product Depth	22 1/2" / 572 mm
Dimensions: Product Height	34 1/8" / 867 mm
Dimensions: Product Width	23 15/16" / 608 mm
Energy Consumption: Avg. Per Year	278 kWh
Refrigerant Type	R600a (1.34 oz)
Energy Efficiency Class	G
Climate Class	SN - N - ST
Noise Emission	D
Foam Blowing Agent	HFO-1233zd(E)

Back



Cabinet Cut-Out



Installation Notes

- 24" cutout width sufficient if door protrudes beyond adjacent cabinetry
- No additional clearance is needed for ventilation
- Do not obstruct front grille air flow
- Must be installed in a climate controlled environment and operate within the temperatures designated in this product's User Guide.



Please visit u-line.com to view this model's User Guide & Service Manual. All Specifications are subject to change without notice.

8900 North 55th Street • Milwaukee, Wisconsin 53223 USA • +1.414.354.0300 • sales@u-line.com • u-line.com