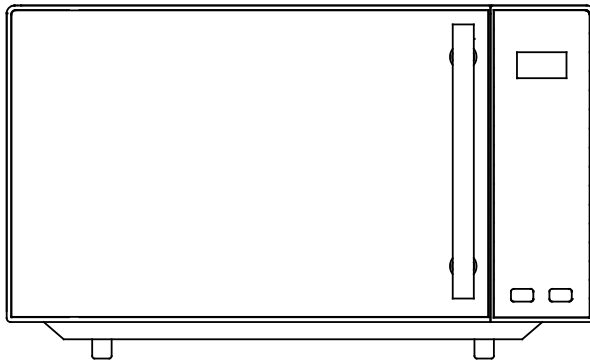


SUMMIT

Microwave Oven Instructions



Model: SM903BSA1

**PLEASE READ THESE INSTRUCTIONS CAREFULLY BEFORE INSTALLING AND
OPERATING THE OVEN.**

**Felix Storch, Inc.
An ISO 9001:2015 registered company
770 Garrison Ave
Bronx, New York 10474
www.summitappliance.com**

CONTENT

SPECIFICATIONS	1
PRECAUTIONS TO AVOID POSSIBLE EXPOSURE TO EXCESSIVE MICROWAVE ENERGY	2
IMPORTANT SAFETY INSTRUCTIONS	2
GROUNDING INSTRUCTIONS	5
INSTALLATION GUIDE	6
COOKING UTENSILS GUIDE	6
PART NAMES	7
CONTROL PANEL	8
OPERATING INSTRUCTIONS	9
SETTING THE CLOCK.....	9
TIMER FUNCTION	9
EXPRESS COOKING.....	9
MICROWAVE COOKING.....	9
SPEED DEFROST	10
DEFROST BY WEIGHT.....	10
COOK BY WEIGHT	11
MULTISTAGE COOKING	11
CHILD LOCK	12
AUTO COOK MENUS	13
BAKED POTATO.....	13
POPCORN.....	13
PIZZA	13
BEVERAGE.....	13
FROZEN DINNER	13
REHEAT	13
CLEANING AND CARE	14
LIMITED WARRANTY	15

SPECIFICATIONS

Power Consumption	120V/60Hz, 1100W(microwave)
Output	700W
Operation Frequency	2450MHz
Outside Dimensions (H x W x D)	10 ⁵ / ₁₆ × 17 ¹³ / ₁₆ × 13 ⁵ / ₈ in.
Oven Capacity	0.7cu.ft.
Net Weight	Approx.23.2lbs

PRECAUTIONS TO AVOID POSSIBLE EXPOSURE TO EXCESSIVE MICROWAVE ENERGY

1. Do not attempt to operate this oven with the door open since that can result in harmful exposure to microwave energy. It is important not to disengage or tamper with the safety interlocks.
2. Do not place any object between the oven and the door or allow soil or cleaner residue to accumulate on sealing surfaces.
3. Do not operate the oven if it is damaged. It is very important that the oven's door close properly and that there is no damage to the
 - a) Door (including any bending),
 - b) Hinges and latches (broken or loose),
 - c) Door seals and sealing surfaces.
4. The oven should not be adjusted or repaired by anyone except qualified service personnel.

IMPORTANT SAFETY INSTRUCTIONS

WARNING! -- To reduce the risk of burns, electric shock, fire, injury to persons or exposure to excessive microwave energy:

1. Read all instructions before using the appliance.
2. Read and follow the specific "PRECAUTIONS TO AVOID POSSIBLE EXPOSURE TO EXCESSIVE MICROWAVE ENERGY" on page 2.
3. This appliance must be grounded. Connect only to properly grounded outlet. See "GROUNDING INSTRUCTIONS" on page 5.
4. Install or locate this appliance only in accordance with the provided installation instructions.
5. Do not operate the oven when empty.
6. Some products such as eggs and sealed containers -for example, closed glass jars- are able to explode and should not be heated in this oven.
7. Use this appliance only for its intended use as described in this manual. Do not use corrosive chemicals or vapors in this appliance. This type of oven is specifically designed to heat, cook, or dry food. It is not designed

- for industrial or laboratory use.
8. As with any appliance, close supervision is necessary when used by children.
 9. To reduce the risk of fire in the oven cavity:
 - a) Do not overcook food. Carefully attend appliance when paper, plastic, or other combustible materials are placed inside the oven to facilitate cooking.
 - b) Remove wire twist-ties from paper or plastic bags before placing bag in oven.
 - c) If materials inside the oven should ignite, keep oven door closed, turn oven off, and disconnect the power cord or shut off power at the fuse or circuit breaker panel.
 - d) Do not use the cavity for storage purposes. Do not leave paper products, cooking utensils or food in the cavity when not in use.
 10. Liquids, such as water, coffee, or tea can be overheated beyond the boiling point without appearing to be boiling due to surface tension of the liquid. Visible indicators such as bubbling or boiling when the container is removed from the microwave oven is not always present. **THIS COULD RESULT IN VERY HOT LIQUIDS SUDDENLY BOILING OVER WHEN A SPOON OR OTHER UTENSIL IS INSERTED INTO THE LIQUID.** To reduce the risk of injury to person:
 - a) Do not overheat the liquid.
 - b) Stir the liquid both before and halfway through heating it.
 - c) Do not use straight-sided containers with narrow necks.
 - d) After heating, allow the container to stand in the microwave oven for a short time before removing the container.
 - e) Use extreme care when inserting a spoon or other utensil into the container.
 11. Do not heat oil or fat for deep-frying. It is difficult to control the temperature of oil in microwave oven.
 12. Do not cover or block any openings on the appliance.
 13. Do not store or use this appliance outdoors. Do not use this product near water, for example, near a kitchen sink, in a wet basement, near a swimming pool, or similar locations.
 14. Do not operate this appliance if it has a damaged cord or if the plug is not working properly or if it has been damaged or dropped.
 15. Do not immerse cord or plug in water. Keep cord away from heated surface. Do not let cord hang over edge of table or counter.

16. This appliance should be serviced only by qualified service personnel. Contact the nearest authorized service facility for examination, repair, or adjustment.
17. When cleaning surfaces of door and oven that comes together on closing the door, use only mild, nonabrasive soaps, or detergents applied with a sponge or soft cloth.
18. This equipment has been tested and found to comply with Part 18 of the FCC Rules. Operation is subject to the following two conditions: (1) This device may not cause harmful interference, and (2) this device must accept any interference received, including interference that may cause undesired operation.

CAUTION: Changes or modifications not expressly approved by the party responsible for compliance could void the user's authority to operate the product.

19. This equipment generates, uses, and can radiate radio frequency energy and, if not installed and used in accordance with the instructions, may cause harmful interference to radio communications. However, there is no guarantee that interference will not occur in a particular installation. If this equipment does cause harmful interference to radio or television reception, which can be determined by turning the equipment off and on, the user is encouraged to try to correct the interference by one or more of the following measures:
 - Reorient or relocate the receiving antenna.
 - Increase the separation between the equipment and receiver.
 - Connect the equipment into an outlet on a circuit different from that to which the receiver is connected.
 - Consult the dealer or an experienced radio/TV technician for help.

SAVE THESE INSTRUCTIONS

GROUNDING INSTRUCTIONS

This appliance must be grounded. In the event of an electrical short circuit, grounding reduces the risk of electric shock by providing an escape wire for the electric current. This appliance is equipped with a cord having a grounding wire with a grounding plug. The plug must be plugged into an outlet that is properly installed and grounded.

WARNING! -- Improper use of the grounding plug can result in a risk of electric shock.

Consult a qualified electrician or serviceman if the grounding instructions are not completely understood, or if there is any doubt as to whether the appliance is properly grounded, and if it is necessary to use an extension cord, use only a 3-wire extension cord that has a 3-blade grounding plug and a 3-slot receptacle that will accept the plug on the appliance. The marked rating of the extension cord shall be equal to or greater than the electrical rating of the appliance.

Electrical Requirements

The electrical requirements are a 120-volt 60 Hz, AC only, 15 amp. It is recommended that a separate circuit serving only the oven be provided. The oven is equipped with a 3-prong grounding plug. It must be plugged into a wall outlet properly installed and grounded.

Power Cord

1. A short power supply cord is provided to reduce the risks resulting from becoming entangled in or tripping over a longer cord.
2. Longer extension cords are available and may be used if care is exercised in their use.
3. If long cord or extension cord is used:
 - a) The marked electrical rating of the extension cord should be at least as great as the electrical rating of the appliance.
 - b) The extension cord must be a grounding-type 3-wire cord, and the longer cord should be arranged so that it will not drape over the countertop or tabletop where it can be pulled on by children or tripped over unintentionally.

INSTALLATION GUIDE

1. Make sure that all the packing materials are removed from the inside of the door.
2. This microwave oven must be placed on a flat.
3. For correct operation, the oven must have sufficient air flow. Allow 20cm of space above the oven, 10cm at back and 5cm at both sides. Do not cover or block any openings on the appliance. Do not remove feet on which oven stands.
4. Do not operate the oven without glass tray, roller support, and shaft in their proper positions.
5. Make sure that the power cord is undamaged and does not run under the oven or over any hot or sharp surface.
6. The socket must be readily accessible so the microwave oven can be easily unplugged in an emergency.

COOKING UTENSILS GUIDE

This section lists which utensils can be used in this microwave, which have limited use for short periods, and which should not be used in this microwave.

RECOMMENDED

Microwave browning dish — Use to brown the exterior of small items such as steaks, chops, or pancakes. Follow the directions provided with your browning dish.

Microwaveable plastic wrap — Use to retain steam. Leave a small opening for some steam to escape and avoid placing it directly on the food.

Paper towels and napkins — Use for short-term heating and covering; these absorb excess moisture and prevent spattering. Do not use recycled paper towels, which may contain metal and could ignite.

Glass and glass-ceramic bowls and dishes — Use for heating or cooking.

Paper plates and cups — Use for short-term heating at low temperatures. Do not use recycled paper, which may contain metal and could ignite.

Wax paper — Use as a cover to prevent spattering.

Thermometers — Use only those labeled "Microwave Safe" and follow all directions. Check the food in several places. Conventional thermometers may be used on microwave food once the food has been removed from the oven.

LIMITED USE

Aluminum foil — Use narrow strips of foil to prevent overcooking of exposed areas. Using too much foil can damage your oven, so be careful. You should keep distance of

1 inch (2.54cm) between aluminum foil and cavity.

Ceramic, porcelain, and stoneware— Use these if they are labeled "Microwave Safe". If they are not labeled, test them to make sure they can be used safely.

Plastic — Use only if labeled "Microwave Safe". Other plastics can melt.

NOT RECOMMENDED

Glass jars and bottles — Regular glass is too thin to be used in a microwave. It can shatter and cause damage and injury.

Paper bags — These are a fire hazard, except for popcorn bags that are designed for microwave use.

Styrofoam plates and cups — These can melt and leave an unhealthy residue on food.

Plastic storage and food containers — Containers such as margarine tubs can melt in the microwave.

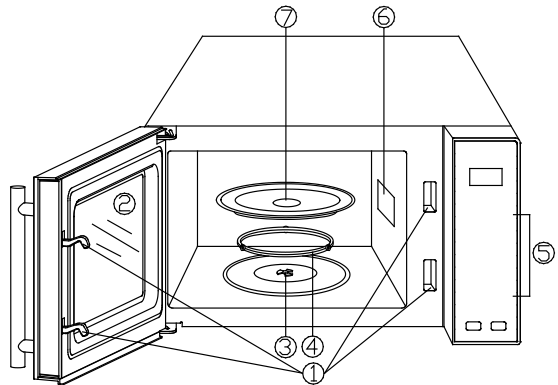
Metal utensils — These can damage your oven. Remove all metal before cooking.

Note:

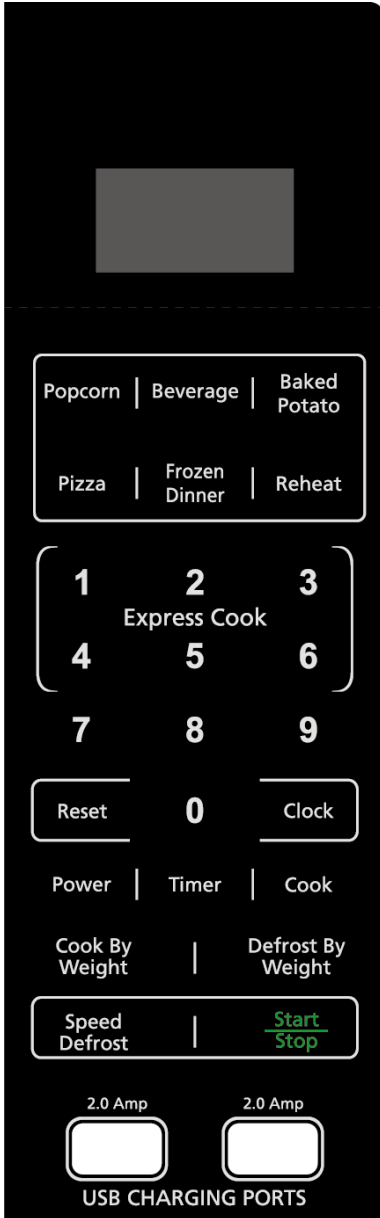
Should you wish to check if a dish is safe for microwaving, place the empty dish in the oven and microwave on HIGH for 30 seconds. A dish which becomes very hot should not be used.

PART NAMES

1. Door Safety Lock System
2. Oven Window
3. Shaft
4. Roller Ring
5. Control Panel
6. Wave Guide
(Please do not remove the mica plate covering the wave guide)
7. Glass Tray



CONTROL PANEL



- **DISPLAY**

Time, power, and indicators are displayed.

- **AUTO COOK MENUS**

Instant settings to cook popular foods.

- **NUMBER BUTTONS (0-9)**

Use to set time, food weight or servings. But use number buttons from 1 to 6 to set express cooking programs.

- **RESET**

Clear all previous settings before cooking.

It is also used to set child lock.

- **CLOCK**

Press to set clock time.

- **POWER**

Press to set microwave cooking power level.

- **TIMER**

Press to set timer function.

- **COOK**

Use to set multistage cooking program.

- **COOK BY WEIGHT**

Press to cook food based on weight.

- **DEFROST BY WEIGHT**

Press to defrost food base on weight.

- **SPEED DEFROST**

Press to defrost food base on time.

- **START/STOP**

Press to start and stop cooking programs.

- **2.0 AMP**

The microwave oven has two USB interfaces, providing 5V DC power supply, which can be used to charge mobile phones and other devices.

OPERATING INSTRUCTIONS

- When the oven is plugged in, a beep will sound and the display will show "ENTER", "CLOCK" and "TIME". You can press the number buttons to set the clock time, then press CLOCK button to confirm. If you do not want to set the clock time, press RESET button directly to enter next operation.
- During cooking, if you press START/STOP button once, the program will be paused. To cancel the program, press the RESET button after the program is paused.
- After cooking ends, the display will show End and beep will sound every two minutes until the user presses any button or open the door.
- In the process of operation, press a valid button, the buzzer will ring once, but if the user presses an invalid button, the buzzer will ring twice.

SETTING THE CLOCK

1. In standby mode, press the CLOCK button once.
2. Use the number buttons to set the correct time.
3. Press CLOCK button once to confirm.

NOTE: This is a 12- hour clock. During cooking, you can check the current clock time by pressing CLOCK button.

TIMER FUNCTION

1. In standby mode or during cooking, press TIMER button once.
2. Use number buttons to set desired time. The longest time is 99 minutes and 99 seconds.
3. Press START/STOP button to confirm.

NOTE: When the countdown ends, the buzzer will ring to remind you. Time countdown can be seen for 5 seconds by pressing TIMER button, you can cancel the program by pressing RESET button when the display shows the time.

EXPRESS COOKING

While in standby mode, when you press a number button (1, 2, 3, 4, 5 or 6) once, the system starts the cooking program directly with the corresponding time (Respectively 1 minute, 2 minutes, etc.) The microwave oven will start to cook at full power level.

MICROWAVE COOKING

1. In standby mode, press the POWER button repeatedly to set power level.
2. Use the number buttons to set cooking time. The longest time is 99 minutes and 99 seconds.
3. Press the START/STOP button to confirm.

Press the POWER button repeatedly to select power level:

Press POWER	Power (Display)	Press POWER	Power (Display)
Once	100% (100)	7 times	40% (40)
Twice	90% (90)	8 times	30% (30)
3 times	80% (80)	9 times	20% (20)
4 times	70% (70)	10 times	10% (10)
5 times	60% (60)	11 times	0% (0)
6 times	50% (50)		

NOTE: During cooking, you can check the cooking power level by pressing the POWER button.

SPEED DEFROST

1. Press the SPEED DEFROST button once.
2. Use the number buttons to set defrosting time. The longest time is 99 minutes and 99 seconds.
3. Press the START/STOP button to confirm.

NOTE: During defrosting, the oven will pause to remind you to turn food over, after that, close the door and press the START/STOP button to resume.

DEFROST BY WEIGHT

The defrosting time and power level are automatically set once the food weight is programmed. The maximum food weight is 5 LB. 16 oz.

1. Press DEFROST BY WEIGHT button once.
2. Use the number buttons to set the food's weight.
3. Press the START/STOP button to confirm.

NOTE:

- During defrosting, the oven will pause to remind you to turn food over, after that, close the door and press the START/STOP button to resume.
- Weight must be in pounds and ounces. If label gives weight in pounds only, change the fraction of a pound to ounces using the following chart.

Converting fractions of a pound to ounces:

Fractions of a pound	Ounces
Less than .03	0
.03 to .09	1
.10 to .15	2
.16 to .21	3

Fractions of a pound	Ounces
.54 to .59	9
.60 to .65	10
.66 to .71	11
.72 to .78	12

.22 to .27	4
.28 to .34	5
.35 to .40	6
.41 to .46	7
.47 to .53	8

.79 to .84	13
.85 to .90	14
.91 to .97	15
above .97	go to next even

COOK BY WEIGHT

1. Press the COOK BY WEIGHT button once.
2. Use the number button (1~3) to set a food code.
3. Use the number buttons to set food weight.
4. Press the START/STOP button to start.

Cook by weight code description:

Code	Food	Maximum Weight
1	Beef	5 LB. 16 oz
2	Mutton	5 LB. 16 oz
3	Pork	5 LB. 4 oz

NOTE:

- During cooking, the system will pause and sound automatically to remind user to turn food over, after that press the START/STOP button to resume cooking.
- Weight must be in pounds and ounces. If label gives weight in pounds only, change the fraction of a pound to ounces using the chart given above.

MULTISTAGE COOKING

Your oven can be programmed for up to 3 automatic cooking sequences. It can be composed of speed defrost with one or two microwave cooking program or composed of two microwave cooking programs. Speed defrost can only be set in the first stage.

A. Speed defrost with one or two-stage microwave cooking programs:

1. Open the door and place the food into the oven, close it.
2. Press the SPEED DEFROST button once.
3. Use the number buttons to set defrosting time.
4. Press the COOK button once.
5. Input the first microwave cooking program. Do not press the START/STOP button.
6. Press the COOK button once.
7. Input second microwave cooking program.
8. Press the START/STOP button to start.

NOTE: Steps 4 and 5 are not necessary if you just need one microwave cooking program.

B. Two-stage microwave cooking programs:

Some recipes require different stages of cooking at different temperatures.

1. Input the first microwave cooking program. Do not press the START/STOP button.
2. Press the COOK button once.
3. Input the second stage microwave cooking program.
4. Press the START/STOP button to start.

CHILD LOCK

The safety lock prevents unsupervised operation by children.

To set: In standby mode, press and hold the RESET button for 3 seconds, then a beep will sound, the oven will auto enter child lock mode and the lock indicator light will turn on. In this locked state, all buttons are disabled.

To cancel: Press and hold RESET button for 3 seconds, then a beep will sound, and the indicator light will disappear.

AUTO COOK MENUS

For the following food or cooking mode, it is not necessary to program the cooking power and time. It is sufficient to indicate the type of food that you wish to cook as well as the weight or servings of the food. For small portions, simply press the applicable button and start. For large portions, push the button twice.

BAKED POTATO

For potatoes (4 to 6 oz/serving):

1. Press BAKED POTATO once.
2. Set number of potatoes by pressing number buttons from 1 to 4.
3. Press START/STOP to confirm.

For large potatoes (8 to 10 oz/serving):

1. Press BAKED POTATO twice.
2. Set number of potatoes by pressing number buttons from 1 to 4.
3. Press START/STOP to confirm.

POPCORN

1. Press POPCORN once.
2. Use number button (1, 2, 3) to set food weight (1.2 oz, 3 oz, 3.5 oz).
3. Press START/STOP to confirm.

PIZZA

Reheating a slice of pizza (about 5 oz):

1. Press PIZZA once.
2. Press START/STOP to confirm.

Heating a whole frozen pizza (about 16 oz):

1. Press PIZZA twice.
2. Press START/STOP to confirm.

BEVERAGE

For cups (5 to 7 oz/serving):

1. Press BEVERAGE once.
2. Set number of cups by pressing number buttons from 1 to 4.
3. Press START/STOP to confirm.

For large cups (9 to 11 oz/serving):

1. Press BEVERAGE twice.
2. Set the number of cups by pressing the number buttons from 1 to 4.
3. Press START/STOP to confirm.

FROZEN DINNER

For frozen dinners (7~9 oz/serving):

1. Press FROZEN DINNER once.
2. For 1 entree, press the number button "1". For 2 entrees, press the number button "2".
3. Press START/STOP to confirm.

For frozen dinner (10~12 oz/serving):

1. Press FROZEN DINNER twice.
2. For 1 entree, press the number button "1". For 2 entrees, press the number button "2".
3. Press START/STOP to confirm.

REHEAT

To reheat a plate of leftover (12~18 oz):

1. Press the REHEAT button once.
2. Press START/STOP to confirm.

CLEANING AND CARE

1. Turn off the oven and unplug the power cord from the wall when cleaning.
2. Keep the inside of the oven clean. When food splatters or spilled liquids stick to oven walls, wipe with a damp cloth. Mild detergents may be used if the oven gets very dirty. Avoid using spray or other harsh cleaners. They may stain, streak, or dull the door surface.
3. The outside of the oven should be cleaned with a damp cloth. To prevent damage to the operating parts inside the oven, water should not be allowed to seep into the ventilation openings.
4. Wipe the door and window on both sides, the door seals, and adjacent parts frequently with a damp cloth to remove any spills or spatters. Do not use abrasive cleaner.
5. Do not allow the control panel to become wet. Clean with a soft, damp cloth. When cleaning the control panel, leave oven door open to prevent the oven from accidentally turning on.
6. If steam accumulates inside or around the outside of the oven door, wipe with a soft cloth. This may occur when the microwave oven is operated under high humidity conditions. And it is normal.
7. It is occasionally necessary to remove the glass tray for cleaning. Wash the tray in warm sudsy water or in a dishwasher.
8. The roller ring and oven floor should be cleaned regularly to avoid excessive noise. Simply wipe the bottom surface of the oven with mild detergent. The roller ring may be washed in mild, soapy water or in a dishwasher. When removing the roller ring, be sure to replace it in the proper position.
9. Remove odors from your oven by combining a cup of water with the juice and skin of one lemon in a microwaveable bowl. Microwave for 5 minutes. Wipe thoroughly and dry with a soft cloth.
10. If the light bulb burns out, please contact customer service to have it replaced.
11. The oven should be cleaned regularly, and any food deposits should be removed. Failure to maintain the oven in a clean condition could lead to deterioration of surface that could adversely affect the life of the unit and could result in a hazardous situation.
12. Please do not dispose of this appliance in the domestic rubbish bin; it should be sent to the disposal center provided by your local municipality.

LIMITED WARRANTY

90- DAY LIMITED WARRANTY

Within the 48 contiguous United States, for 90 days from the date of purchase, when this appliance is operated and maintained according to instructions attached to or furnished with the product, warrantor will pay for factory-specified parts and repair labor to correct defects in materials or workmanship. Service must be provided by a designated service company. Outside the 48 states, all parts are warranted for 90 days from manufacturing defects. Plastic parts, shelves and cabinets are warranted to be manufactured to commercially acceptable standards and are not covered from damage during handling or breakage.

ITEMS WARRANTOR WILL NOT PAY FOR:

1. Service calls to correct the installation of your appliance, to instruct you how to use your appliance, to replace or repair fuses or to correct wiring or plumbing.
2. Service calls to repair or replace appliance light bulbs or broken shelves. Consumable parts (such as filters) are excluded from warranty coverage.
3. Damage resulting from accident, alteration, misuse, abuse, fire, flood, acts of God, improper installation, installation not in accordance with electrical or plumbing codes, or use of products not approved by warrantor.
4. Replacement parts or repair labor costs for units operated outside the United States.
5. Repairs to parts or systems resulting from unauthorized modifications made to the appliance.
6. The removal and reinstallation of your appliance if it is installed in an inaccessible location or is not installed in accordance with published installation instructions.

DISCLAIMER OF IMPLIED WARRANTIES; LIMITATION OF REMEDIES

CUSTOMER'S SOLE AND EXCLUSIVE REMEDY UNDER THIS LIMITED WARRANTY SHALL BE PRODUCT REPAIR AS PROVIDED HEREIN. IMPLIED WARRANTIES, INCLUDING WARRANTIES OF MERCHANTABILITY OR FITNESS FOR A PARTICULAR PURPOSE, ARE LIMITED TO 90 DAYS. WARRANTOR SHALL NOT BE LIABLE FOR INCIDENTAL OR CONSEQUENTIAL DAMAGES. SOME STATES DO NOT ALLOW THE EXCLUSION OR LIMITATION OF INCIDENTAL OR CONSEQUENTIAL DAMAGES, OR LIMITATIONS ON THE DURATION OF IMPLIED WARRANTIES OF MERCHANTABILITY OR FITNESS, SO THESE EXCLUSIONS OR LIMITATIONS MAY NOT APPLY TO YOU. THIS WARRANTY GIVES YOU SPECIFIC LEGAL RIGHTS AND YOU MAY ALSO HAVE OTHER RIGHTS, WHICH VARY FROM STATE TO STATE.



WARNING: This product can expose you to chemicals including Nickel (Metallic) which is known to the State of California to cause cancer.

For more information go to www.P65Warnings.ca.gov

Note: Nickel is a component in all stainless steel and some other metallic compositions.

Felix Storch, Inc.
An ISO 9001:2015 registered company
770 Garrison Ave
Bronx, New York 10474
www.summitappliance.com

SUMMIT

For parts and accessory ordering, troubleshooting, and helpful hints, visit:
www.summitappliance.com/support