

MS19M8020T and MA-TK8020T

SAMSUNG

Samsung Countertop Microwave and Trim Kit for Built-in Applications

1.9 cu. ft. Capacity



Signature Features

1.9 cu. ft. Capacity

- Accommodates a variety of dishes so you can prep large meals quickly.

Sensor Cook

- Automatically adjusts cooking time for optimal results.

Ceramic Enamel Interior

- Makes removing grease or oil effortless and protects against scratches from daily use.



Available Colors



Stainless Steel



Black Stainless Steel (shown)



Sensor Cook



Ceramic Enamel Interior

Features

- Eco Mode
- Cooking Presets
- 950W of Cooking Power
- 10 Power Levels
- Auto Defrost
- LED Display
- 30" Matching Trim Kit

Convenience

- Kitchen Timer
- Clock (12hr/24hr) with Daylight Saving Time Adjustment
- Child Safety Lock
- Reminder End Signal

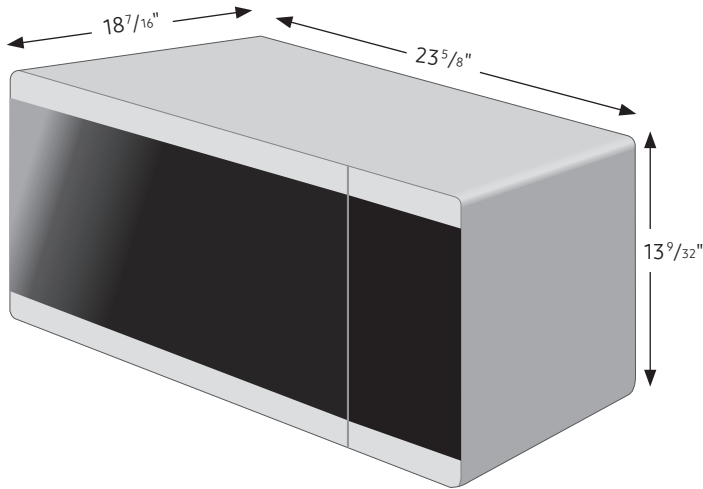
MS19M8020T and MA-TK8020T

SAMSUNG

Samsung Countertop Microwave and Trim Kit for Built-in Applications

1.9 cu. ft. Capacity

Dimensions



Specifications

- Oven Cavity: 1.9 cu. ft.
- Power Output: 950W
- Power Consumption: 1600W/13.3 A
- Power Source: 120V / 60 Hz
- Control Method: Electronic Touch
- Display: LED (Ice Blue)
- Cooking Control: 10 Power Levels Including Defrost
- Cooking Timer: Digital, up to 99 Minutes, 99 Seconds
- Microwave Distribution System: Turntable

Warranty

One (1) Year Parts and Labor
Ten (10) Years on Magnetron Microwave Technology

Microwave Product Dimensions & Weight (WxHxD)

Outside Dimensions: 23⁵/₈" x 13⁹/₃₂" x 18⁷/₁₆"

Interior Cavity Dimensions: 17³/₈" x 10⁵/₈" x 17¹³/₁₆"

Weight: 43.03 lbs.

Trim Kit Dimension (WxHxD)

Outside Dimensions: 29³/₄" x 20⁵/₆₄" x 1¹/₄"

Cut Out (WxH): 25¹/₂" x 16³/₄"

Weight: 12.83 lbs.

Microwave Shipping Dimensions & Weight (WxHxD)

Dimensions: 26¹/₄" x 16¹³/₃₂" x 20¹/₄"

Weight: 47.97 lbs.

Trim Kit Shipping Dimension (WxHxD)

Dimensions: 22³/₄" x 6³/₄" x 33⁵/₃₂"

Weight: 16.78 lbs.

Countertop Microwave and Trim Kit for Built-in Applications

For installation with Wall Ovens, respective codes must be paired together:

Color:	Product:	Model #:	UPC Code:
Stainless Steel	Microwave	MS19M8000AS	887276212050
Stainless Steel	Trim Kit	MA-TK8020TS	887276224466
Black Stainless Steel	Microwave	MS19M8020TG	887276212067
Black Stainless Steel	Trim Kit	MA-TK8020TG	887276224459