

UnderCounter Ice Machines

QM45 Models

Installation, Operation and Maintenance Manual

This manual is updated as new information and models are released. Visit our website for the latest manual.



Table of Contents

Section 1

General Information

Model Numbers	4
Accessories	4
Tri-liminator Water Filter System	4
Manitowoc Cleaner and Sanitizer	4

Section 2

Installation Instructions

Location of Ice Machine	5
Ice Machine Heat of Rejection	5
Leveling the Ice Machine	5
Electrical Service	6
Voltage	6
Fuse/Circuit Breaker	6
Electrical Rating	6
Water Service/Drains	6
Water Supply	6
Drain Connections	6
Water Supply and Drain Line Sizing/Connections	7
Installation Checklist	8
Before Starting the Ice Machine	8
Ice Machine Inspection	8

Section 3

Operation

Ice Making Sequence of Operation	9
Initial Start-up Or Start-up After Automatic Shut-off	9
Freeze Sequence	9
Harvest Sequence	9
Automatic Shut-off	9
Operational Checks	10
General	10
Siphon System	10
Water Float Valve Check	10
Water Level Check	11
Ice Bridge Thickness Check	11

Table of Contents (continued)

**Section 4
Maintenance**

Interior Cleaning and Sanitizing	12
General	12
Cleaning and Sanitizing Procedure	12
Exterior Cleaning	17
Cleaning the Condenser	18
Removal from Service/Winterization	18

**Section 5
Customer Support**

Checklist	19
Safety Limit Feature	20
Commercial Ice Machine Warranty	21
Residential Ice Machine Limited Warranty	22

Section 1

General Information

Model Numbers

This manual covers the following models:

QM45A	115/60/1
QM45A	230/50/1
QM45A	230/60/1

Accessories

Contact your Manitowoc distributor for these optional accessories:

TRI-LIMINATOR WATER FILTER SYSTEM

Engineered specifically for Manitowoc ice machines, Tri-Liminator water filters are an efficient, dependable, and affordable method of inhibiting scale formation, filtering sediment, and removing chlorine taste and odor.

MANITOWOC CLEANER AND SANITIZER

Manitowoc Ice Machine Cleaner and Sanitizer are available in convenient 16 oz. (473 ml) and 1 gal (3.78 l) bottles. These are the only cleaner and sanitizer approved for use with Manitowoc products.

Cleaner Part Number		Sanitizer Part number	
16oz	94-0456-3	16oz	94-0565-3
1 Gallon	94-0580-3	1 Gallon	94-0581-3

Section 2

Installation Instructions

Location of Ice Machine

The location selected for the ice machine must meet the following criteria. If any of these criteria are not met, select another location.

- The location must be indoors.
- The location must be free of airborne and other contaminants.
- The air temperature must be at least 2°C (35°F), but must not exceed 43°C (110°F).
- The location must not be near heat-generating equipment or in direct sunlight.
- The location must be capable of supporting the weight of the ice machine and a full bin of ice.
- The location must allow enough clearance for water, drain and electrical connections in the **rear of the ice machine**.
- The location must not obstruct airflow through or around the ice machine (condenser airflow is in and out the front). Refer to the chart below for clearance requirements.

	Self-Contained Air-Cooled
Top/Sides	5" (127 mm)*
Back	5" (127 mm)*

NOTE: The ice machine may be built into a cabinet.

* There is no minimum clearance requirement for the top or left and right sides of the ice machine. The listed values are recommended for efficient operation and servicing only.

⚠ Caution

The ice machine must be protected if it will be subjected to temperatures below 32°F (0°C). Failure caused by exposure to freezing temperatures is not covered by the warranty. See "Removal from Service/Winterization" Section 4.

Ice Machine Heat of Rejection

Series Ice Machine	Heat of Rejection*	
	Air Conditioning**	Peak
QM45	1750	2600

* B.T.U./Hour

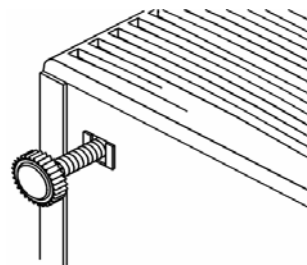
** Because the heat of rejection varies during the ice making cycle, the figure shown is an average.

Ice machines, like other refrigeration equipment, reject heat through the condenser. It is helpful to know the amount of heat rejected by the ice machine when sizing air conditioning equipment where self-contained air-cooled ice machines are installed.

Leveling the Ice Machine

After moving the ice machine into the installation location, it must be leveled for proper operation. Follow these steps to level the ice machine:


1. Check the level of the ice machine from front to back and from side to side.
2. If the ice machine is not level, adjust the leveling glides on each corner of the base of the ice machine as necessary.



Leveling Glide

3. Check the level of the ice machine after each adjustment of the leveling glides.
4. Repeat steps 2 and 3 until the ice machine is level from front to back and from side to side.

Electrical Service


 **Warning**

All wiring must conform to local, state and national codes.


Voltage Phase	Total Amps
230/50/1	2.6
230/60/1	3.1
115/60/1	5.2

VOLTAGE

The maximum allowable voltage variation is ± 10% of the rated voltage on the ice machine model/serial number plate at start-up (when the electrical load is highest).

 **Warning**

The ice machine must be grounded in accordance with national and local electrical codes.

 **Warning**

Never use an extension cord. If an outlet is not within reach of the ice machine's power cord, have a proper amperage outlet wired closer to the ice machine.

FUSE/CIRCUIT BREAKER

A separate fuse/circuit breaker must be provided for each ice machine.

NOTE: A disconnect means must be provided for field wiring.

ELECTRICAL RATING

The electrical rating is used to help select the wire size of the electrical supply. The wire size (or gauge) also depends on location, materials used, length of run, etc., so it must be determined by a qualified electrician.

Water Service/Drains

WATER SUPPLY

Local water conditions may require treatment of the water to inhibit scale formation, filter sediment, remove chlorine, and improve taste and clarity.

Important

If you are installing a Manitowoc Tri-Liminator water filter system, refer to the Installation Instructions supplied with the filter system for ice making water inlet connections.

Follow these guidelines to install water inlet lines:

- Connect to potable water supply only.
- Do not connect the ice machine to a hot water supply. Be sure all hot water restrictors installed for other equipment are working. (Check valves on sink faucets, dishwashers, etc.)
- If water pressure exceeds the maximum recommended pressure, obtain a water pressure regulator from your Manitowoc distributor.
- Install a water shut-off valve for both the ice making and condenser water lines (if applicable).
- Insulate water lines to prevent condensation.

Important

The water inlet line is connected to the water valve. This valve is located just behind the front panel of the ice machine.

DRAIN CONNECTIONS

Follow these guidelines when installing drain lines to prevent drain water from flowing back into the ice machine and storage bin:

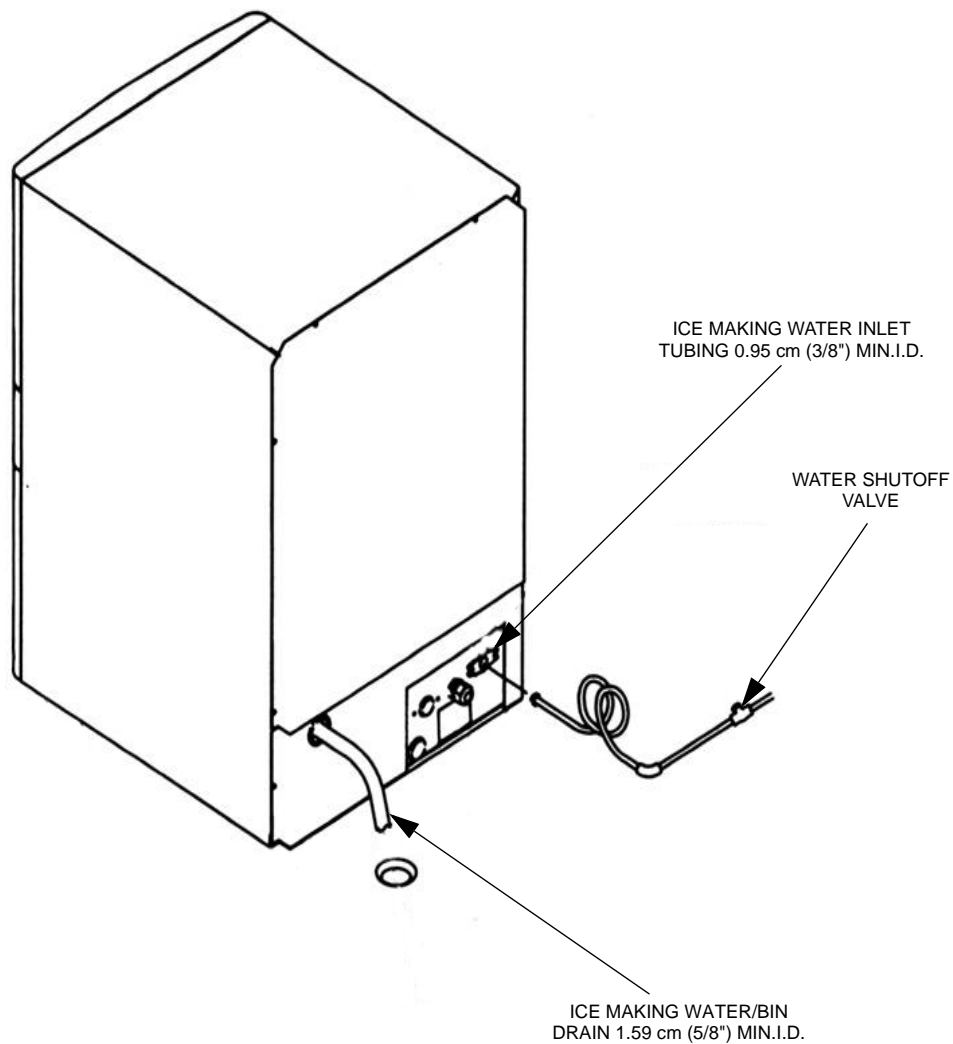
- Drain lines must have a 2.5 cm drop per 1 meter of run (1.5 inch per 5 feet), and must not create traps.
- The floor drain must be large enough to accommodate drainage from all drains.
- Insulate the bin drain line to prevent condensation.

WATER SUPPLY AND DRAIN LINE SIZING/CONNECTIONS

⚠ Caution
Plumbing must conform to state and local codes.

	Water Temperature	Water Pressure	Ice Machine Fitting	Tubing Size Up to Ice Machine Fitting
Ice Making Water Inlet	0.6°C (33°F) Min. ¹ 32.2°C (90°F) Max. ²	137.9 kPa (20 psi) Min. ¹ 551.5 kPa (80 psi) Max. ²	3/8" male hose connection	0.95 cm (3/8") minimum inside diameter
Ice Making/Bin Water Drain	—	—	1.59 cm (5/8") inside diameter flexible hose	1.59 cm (5/8") minimum inside diameter

¹ Min. = Minimum
² Max. = Maximum



Typical Water Supply and Drain Line Sizing and Connections

Installation Checklist

- Is the ice machine level?
- Has all of the internal packing been removed?
- Have all of the electrical and water connections been made?
- Has the supply voltage been tested and checked against the rating on the nameplate?
- Is there proper clearance around the ice machine for air circulation?
- Has the ice machine been installed where ambient temperatures will remain in the range of 35° – 110°F (2° – 43°C)?
- Has the ice machine been installed where the incoming water temperature will remain in the range of 33° – 90°F (1° – 32°C)?
- Are all electrical leads free from contact with refrigeration lines and moving equipment?
- Has the owner/operator been instructed regarding maintenance and the use of Manitowoc Cleaner and Sanitizer?
- Has the owner/operator completed the warranty registration card?
- Has the ice machine and bin been sanitized?
- Has this manual been given to the owner/operator?

Before Starting the Ice Machine

All Manitowoc ice machines are factory-operated and adjusted before shipment. Normally, new installations do not require any adjustment.


To ensure proper operation, follow the Operational Checks. Starting the ice machine and completing the Operational Checks are the responsibilities of the owner/operator.

Adjustments and maintenance procedures outlined in this manual are not covered by the warranty.

Ice Machine Inspection

Check all water fittings and lines for leaks. Also, make sure the refrigeration tubing is not rubbing or vibrating against other tubing, panels, etc.

Do not put anything (boxes, etc.) in front of the ice machine. There must be adequate airflow through and around the ice machine to maximize ice production and ensure long component life.

 <p>Warning</p> <p>PERSONAL INJURY POTENTIAL</p> <p>Do not operate equipment that has been misused, abused, neglected, damaged, or altered/modified from that of original manufactured specifications.</p>

Section 3

Operation

Ice Making Sequence of Operation

INITIAL START-UP OR START-UP AFTER AUTOMATIC SHUT-OFF

1. Pressure Equalization

Before the compressor starts the hot gas valve is energized for 15 seconds to equalize pressures during the initial refrigeration system start-up.

2. Refrigeration System Start-Up

The compressor starts after the 15-second pressure equalization, and remains on throughout the entire Freeze and Harvest Sequences. The hot gas valve remains on for 5 seconds during initial compressor start-up and then shuts off.

At the same time the compressor starts, the condenser fan motor (air-cooled models) is supplied with power throughout the entire Freeze and Harvest Sequences. The fan motor is wired through a fan cycle pressure control, therefore it may cycle on and off. (The compressor and condenser fan motor are wired through the relay. As a result, any time the relay coil is energized, the compressor and fan motor are supplied with power.)

FREEZE SEQUENCE

3. Prechill

The compressor is on for 30 seconds prior to water flow to Prechill the evaporator.

4. Freeze

The water pump starts after the 30-second Prechill. An even flow of water is directed across the evaporator and into each cube cell, where it freezes.

When sufficient ice has formed, the water flow (not the ice) contacts the ice thickness probe. After approximately 7 seconds of continual water contact, the Harvest Sequence is initiated. The ice machine cannot initiate a Harvest Sequence until a 6-minute freeze time has been surpassed.

HARVEST SEQUENCE

5. Harvest

The water pump de-energizes stopping flow over the evaporator. The rising level of water in the sump trough diverts water out of the overflow tube, purging excess minerals from the sump trough. The hot gas valve also opens to divert hot refrigerant gas into the evaporator.

The refrigerant gas warms the evaporator causing the cubes to slide, as a sheet, off the evaporator and into the storage bin. The sliding sheet of cubes contacts the ice damper, opening the bin switch.

The momentary opening and re-closing of the bin switch terminates the Harvest Sequence and returns the ice machine to the Freeze Sequence (steps 3 - 4).

AUTOMATIC SHUT-OFF

6. Automatic Shut-Off

When the storage bin is full at the end of a Harvest Sequence, the sheet of cubes fails to clear the ice damper and will hold it down. After the ice damper is held open for 7 seconds, the ice machine shuts off. The ice machine remains off for 3 minutes before it can automatically restart.

The ice machine remains off until enough ice has been removed from the storage bin to allow the ice to fall clear of the damper. As the ice damper swings back to the operating position, the bin switch re-closes and the ice machine restarts (steps 1 - 2), provided the 3-minute delay period is complete.

Operational Checks

GENERAL

Your Manitowoc ice machine was factory-operated and adjusted before shipment. Normally, a newly installed ice machine does not require any adjustment.

To ensure proper operation, always follow these Operational Checks when starting the ice machine:

- for the first time
- after a prolonged out of service period
- after cleaning and sanitizing

Routine adjustments and maintenance procedures outlined in this manual are not covered by the warranty.

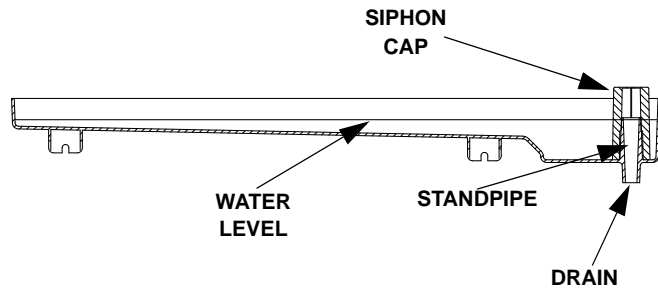
SIPHON SYSTEM

To reduce mineral build-up and cleaning frequency, the water in the sump trough must be purged during each harvest cycle.

When the water pump de-energizes the level in the water trough rises above the standpipe starting a siphon action. The siphon action stops when the water level in the sump trough drops. When the siphon action stops, the float valve refills the water trough to the correct level.

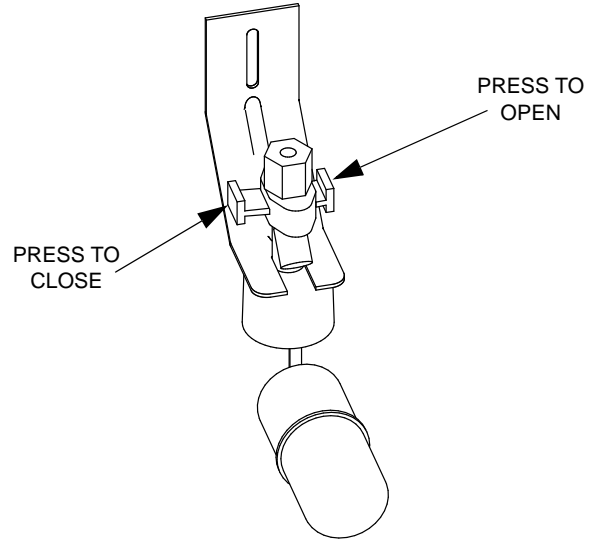
Siphon System Check

Follow steps 1 through 6 under water level check.



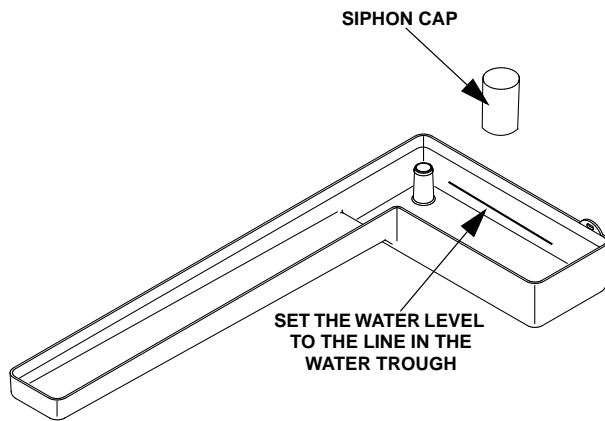
WATER FLOAT VALVE CHECK

Before water will flow into the water trough the float valve shut-off must be in the OPEN position.



WATER LEVEL CHECK

Check the water level while the ice machine is in the ice mode and the water pump is running. The correct water level is 1/4" (6.3 mm) to 3/8" (9.5 mm) below the top of the standpipe a line in the water trough indicates the correct level.



The float valve is factory-set for the proper water level. If adjustments are necessary:

1. Verify the ice machine is level (see page 4-6).
2. Remove the siphon cap from the standpipe.
3. Place the main ON/OFF/WASH toggle switch to the ON position, and wait until the float valve stops adding water.
4. Adjust the water level to (1/4" to 3/8" [6.3 to 9.5 mm] below the standpipe) the line in the water trough.
5. Loosen the two screws on the float valve bracket.
6. Raise or lower the float valve assembly as necessary, then tighten the screws.
7. Move the main ON/OFF/ WASH toggle switch to the OFF position. The water level in the trough will rise above the standpipe and run down the drain.
8. Replace the siphon cap on the standpipe, and verify water level and siphon action by repeating steps 3 through 5.

ICE BRIDGE THICKNESS CHECK

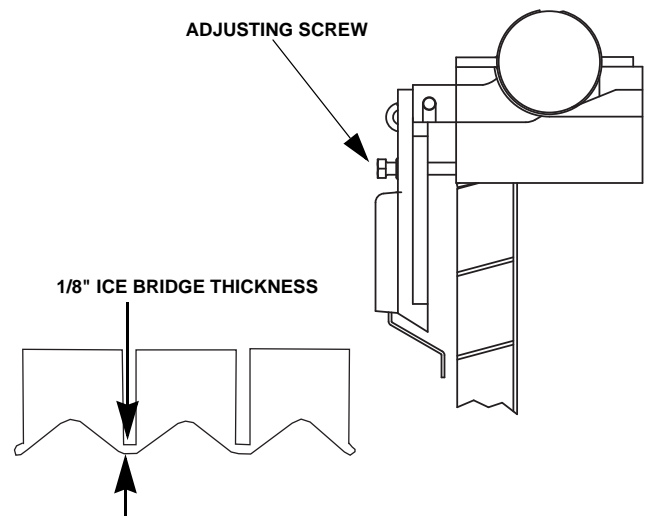
NOTE: During shipping and installation the ice thickness probe may shift, requiring further adjustment to achieve the rated energy efficiency and production. The ice weight per cycle must be within the minimum and maximum for your ice machine series. Capture and weigh the ice from the second freeze/harvest cycle. The target weight is the middle of the minimum and maximum weight in the chart below.

Series Ice Machine	Ice Weight From One Cycle	
	Minimum Ice Weight	Maximum Ice Weight
QM45	1.1 lbs	1.3 lbs
Target weight is the middle of the minimum and maximum weight.		

The ice thickness probe is factory-set to maintain the ice bridge thickness at 1/8" (3.2 mm).

1. Inspect the bridge connecting the cubes. It should be about 1/8" (3.2 mm) thick.
2. If adjustment is necessary, turn the ice thickness probe adjustment screw clockwise to increase bridge thickness, or counterclockwise to decrease bridge thickness.

NOTE: Turning the adjustment 1/3 of a turn will change the ice thickness about 1/16" (1.5 mm).



Make sure the ice thickness probe wire and the bracket do not restrict movement of the probe.

Section 4

Maintenance

Interior Cleaning and Sanitizing

GENERAL

Clean and sanitize the ice machine every six months for efficient operation. If the ice machine requires more frequent cleaning and sanitizing, consult a qualified service company to test the water quality and recommend appropriate water treatment.

The ice machine must be taken apart for cleaning and sanitizing.

Caution

Use only Manitowoc approved Ice Machine Cleaner (part number 94-0546-3) and Sanitizer (part number 94-0565-3). It is a violation of Federal law to use these solutions in a manner inconsistent with their labeling. Read and understand all labels printed on bottles before use.

CLEANING AND SANITIZING PROCEDURE

Caution

Do not mix Ice Machine Cleaner and Sanitizer solutions together. It is a violation of Federal law to use these solutions in a manner inconsistent with their labeling.

Warning

Wear rubber gloves and safety goggles (and/or face shield) when handling Ice Machine Cleaner or Sanitizer.

Ice machine cleaner is used to remove lime scale and mineral deposits. Ice machine sanitizer disinfects and removes algae and slime.

Step 1 Set the toggle switch to the OFF position after ice falls from the evaporator at the end of a Harvest cycle. Or, set the switch to the OFF position and allow the ice to melt off the evaporator.

Caution

Never use anything to force ice from the evaporator. Damage may result.

Step 2 Remove all ice from the bin.

Step 3 To start a cleaning cycle, move the toggle switch to the WASH position.

Step 4 Add the proper amount of Manitowoc Ice Machine Cleaner to the water trough.

Model	Amount of Cleaner
QM45	1.5 ounces (45 ml)

Step 5 Wait until the clean cycle is complete (approximately 22 minutes) then place the toggle switch in the OFF position, disconnect power and water supplies to the ice machine.

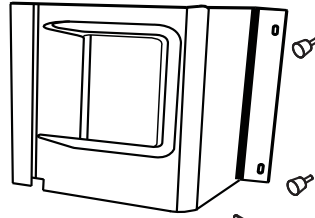
Warning

Disconnect electric power to the ice machine at the electric switch box before proceeding.

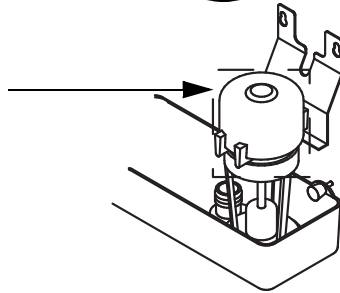
Step 6 Remove parts for cleaning.

- A. Remove Two Thumbscrews and Water Pump Cover (When Used).**
- B. Remove the Vinyl Hose Connecting the Water Pump and Water Distribution Tube**
- C. Remove Water Pump**
 - Disconnect the water pump power cord
 - Loosen the screws securing the pump-mounting bracket to the bulkhead
 - Lift the pump and bracket assembly off the mounting screws..

When Used - REMOVE THUMBSCREWS AND WATER PUMP COVER



DO NOT SOAK WATER PUMP MOTOR IN CLEANER OR SANITIZER SOLUTIONS



Water Pump Removal

D. Remove the Ice Thickness Probe

- Compress the side of the ice thickness probe near the top hinge pin and remove it from the bracket.

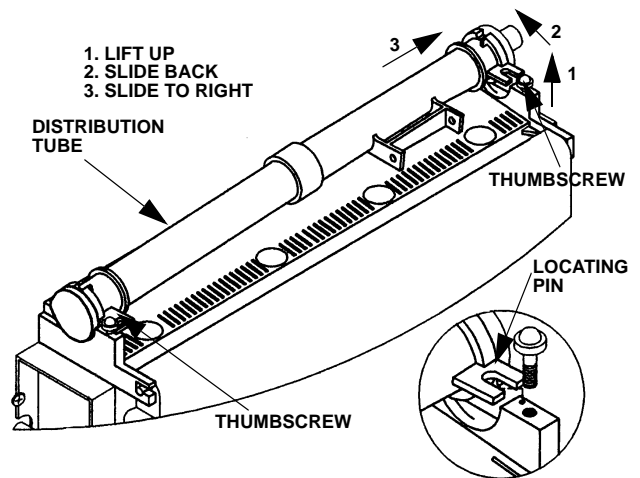
NOTE: At this point, the ice thickness probe can easily be cleaned. If complete removal is desired follow the ice thickness probe wire to the bulkhead grommet (exit point) in the back wall. Pop the bulkhead grommet out of the back wall by inserting fingernails or a flat object between the back wall and the grommet and prying forward. Pull the bulkhead grommet and wire forward until the connector is accessible, then disconnect the wire lead from the connector.

Ice Thickness Probe Cleaning

- Mix a solution of Manitowoc ice machine cleaner and water (2 ounces of cleaner to 16 ounces of water) in a container.
- Soak the ice thickness probe a minimum of 10 minutes.

Clean all ice thickness probe surfaces and verify the ice thickness probe cavity is clean. Rinse thoroughly with clean water, then dry completely. Incomplete rinsing and drying of the ice thickness probe can cause premature harvest.

E. Remove the Water Distribution Tube

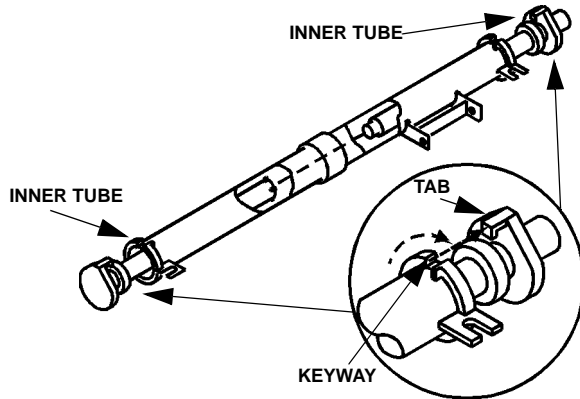


- Loosen the two thumbscrews, which secure the distribution tube.
- Lift the right side of the distribution tube up off the locating pin, then slide it back and to the right.

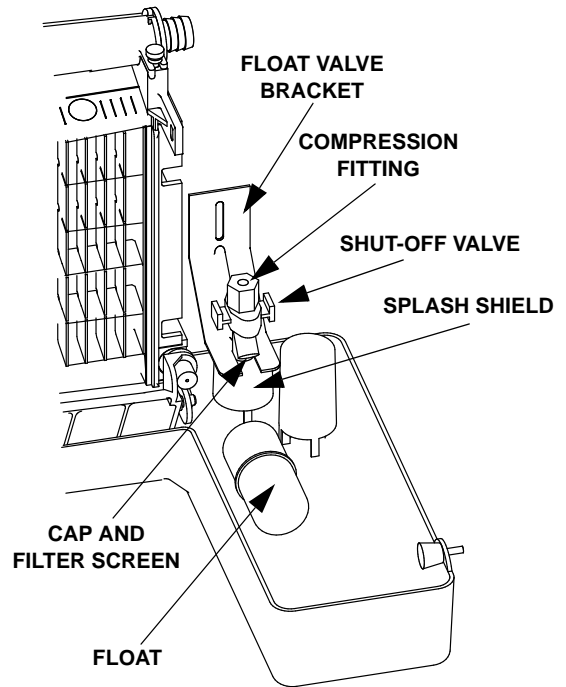
⚠ Caution
Do not force this removal. Be sure the locating pin is clear of the hole before sliding the distribution tube out.

Disassembly

- Twist both of the inner tube ends until the tabs line up with the keyways.
- Pull the inner tube ends outward.

**F. Remove the Float Valve**

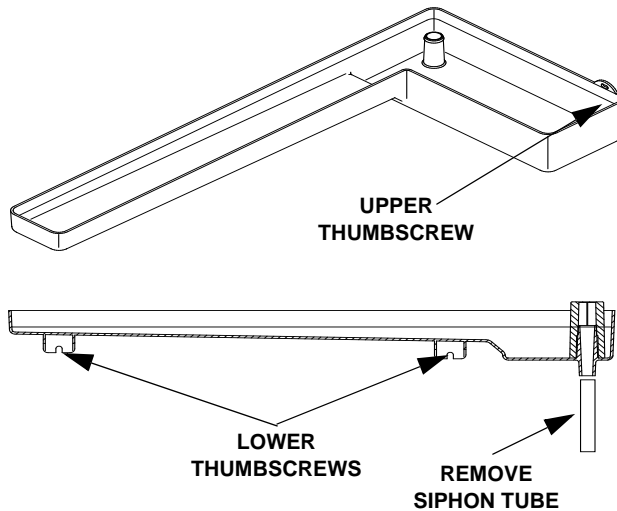
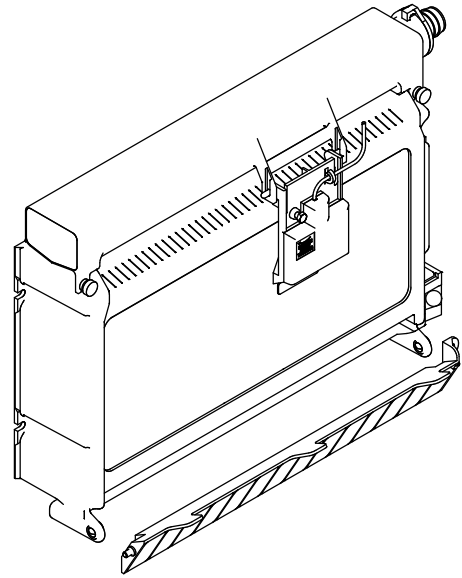
- Turn the splash shield counterclockwise one or two turns.



- Pull the float valve forward and off the mounting bracket.
- Disconnect the water inlet tube from the float valve at the compression fitting.
- Remove the cap and filter screen for cleaning.

G. Remove the Water Trough

- Apply downward pressure on the siphon tube and remove from the bottom of the water trough.
- Remove the upper thumbscrew.
- While supporting the water trough remove the two thumbscrews from beneath the water trough.
- Remove the water trough from the bin area.

**H. Remove the ice damper.**

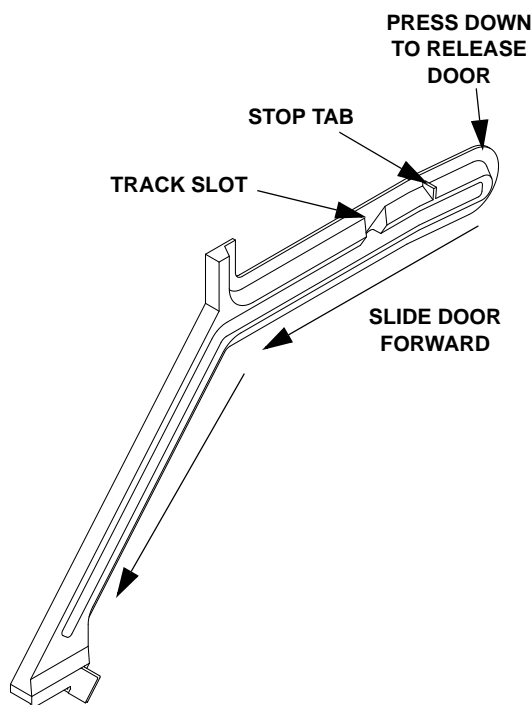
- Grasp ice damper and apply pressure toward the left hand mounting bracket.
- Apply pressure to the right hand mounting bracket with thumb.
- Pull ice damper forward when the right hand ice damper pin disengages.

Installation

- Place ice damper pin in left hand mounting bracket and apply pressure toward the left hand mounting bracket.
- Apply pressure to the right hand mounting bracket with thumb.
- Push ice damper toward evaporator until right hand damper pin engages.

I. Remove the Bin Door

- Grasp the rear of the bin door and pull bin door forward approximately 5" (13 cm).
- Slide bin door to the rear while applying upward pressure (The rear door pins will ride up into the track slot and slide backward to the stop tab).
- While applying pressure against the bin door pull down on the rear of each bin door track until the door pins clear the stop tabs.
- Slide the rear door pins off the end and then below the door track. Slide bin door forward allowing the back of the door to lower into the bin. Continue forward with the bin door until the front pins bottom out in the track.
- Lift right side of door until the front pins clear the track, then remove door from bin.



Step 7 Mix a solution of cleaner and warm water. Depending on the amount of mineral buildup, a larger quantity of solution may be required. Use the ratio in the table below to mix enough solution to thoroughly clean all parts.

Solution Type	Water	Mixed with
Cleaner	1 gal. (4 l)	16 oz (500 ml) cleaner

Step 8 Use 1/2 of the cleaner/water solution to clean all components. The cleaner solution will foam when it contacts lime scale and mineral deposits; once the foaming stops use a soft bristle brush, sponge or cloth (not a wire brush) to carefully clean the parts. Soak the parts for 5 minutes (15 – 20 minutes for heavily scaled parts). Rinse all components with clean water.

Step 9 While components are soaking, use 1/2 of the cleaner/water solution to clean all foodzone surfaces of the ice machine and bin. Use a nylon brush or cloth to thoroughly clean the following ice machine areas:

- Evaporator plastic parts – including top, bottom and sides
- Bin bottom, sides and top

Rinse all areas thoroughly with clean water.

Step 10 Mix a solution of sanitizer and warm water.

Solution Type	Water	Mixed With
Sanitizer	6 gal. (23 l)	4 oz (120 ml) sanitizer

Step 11 Use 1/2 of the sanitizer/water solution to sanitize all removed components. Use a cloth or sponge to liberally apply the solution to all surfaces of the removed parts or soak the removed parts in the sanitizer/water solution. Do not rinse parts after sanitizing.

Step 12 Use 1/2 of the sanitizer/water solution to sanitize all foodzone surfaces of the ice machine and bin. Use a cloth or sponge to liberally apply the solution. When sanitizing, pay particular attention to the following areas:

- Evaporator plastic parts - including top, bottom and sides
- Bin bottom, sides and top

Do not rinse the sanitized areas.

Step 13 Replace all removed components.

Step 14 Reapply power and water to the ice machine and place the toggle switch in the WASH position.

Step 15 Add the proper amount of Manitowoc Ice Machine Sanitizer to the water trough.

Model	Amount of Sanitizer
QM45	1.5 ounces (45 ml)

Step 16 Wait until the sanitize cycle is complete (approximately 22 minutes) then place the toggle switch in the OFF position, disconnect power and water supplies to the ice machine.

 Warning Disconnect electric power to the ice machine at the electric switch box before proceeding.

Step 17 Repeat step 6 to remove parts for hand sanitizing.

Step 18 Mix a solution of sanitizer and warm water.

Solution Type	Water	Mixed With
Sanitizer	6 gal. (23 l)	4 oz (120 ml) sanitizer

Step 19 Use 1/2 of the sanitizer/water solution to sanitize all removed components. Use a cloth or sponge to liberally apply the solution to all surfaces of the removed parts or soak the removed parts in the sanitizer/water solution. Do not rinse parts after sanitizing.

Step 20 Use 1/2 of the sanitizer/water solution to sanitize all foodzone surfaces of the ice machine and bin. Use a cloth or sponge to liberally apply the solution. When sanitizing, pay particular attention to the following areas:

- Evaporator plastic parts - including top, bottom and sides
- Bin bottom, sides and top

Do not rinse the sanitized areas.

Step 21 Replace all removed components.

Step 22 Reapply power and water to the ice machine and place the toggle switch in the ICE position.

Exterior Cleaning

Clean the area around the ice machine as often as necessary to maintain cleanliness and efficient operation.

Sponge any dust and dirt off the outside of the ice machine with mild soap and water. Wipe dry with a clean, soft cloth.

A commercial grade stainless steel cleaner/polish can be used as necessary.

Cleaning the Condenser

 **Warning**

Disconnect electric power to the ice machine at the electric service switch before cleaning the condenser.

A dirty condenser restricts airflow, resulting in excessively high operating temperatures. This reduces ice production and shortens component life. Clean the condenser at least every six months. Follow the steps below.

 **Warning**

The condenser fins are sharp. Use care when cleaning them.

1. The washable aluminum filter on self-contained ice machines is designed to catch dust, dirt, lint and grease. This helps keep the condenser clean. Clean the filter with a mild soap and water solution.
2. Clean the outside of the condenser with a soft brush or a vacuum with a brush attachment. Clean from top to bottom, not side to side. Be careful not to bend the condenser fins.
3. Shine a flashlight through the condenser to check for dirt between the fins. If dirt remains: Blow compressed air through the condenser fins from the inside. Be careful not to bend the fan blades.
4. Use a commercial condenser coil cleaner. Follow the directions and cautions supplied with the cleaner.
5. Straighten any bent condenser fins with a fin comb.
6. Carefully wipe off the fan blades and motor with a soft cloth. Do not bend the fan blades. If the fan blades are excessively dirty, wash with warm, soapy water and rinse thoroughly.

 **Caution**

If you are cleaning the condenser fan blades with water, cover the fan motor to prevent water damage.

Removal from Service/Winterization

Special precautions must be taken if the ice machine is to be removed from service for an extended period of time or exposed to ambient temperatures of 32°F (0°C) or below.

 **Caution**

If water is allowed to remain in the ice machine in freezing temperatures, severe damage to some components could result. Damage of this nature is not covered by the warranty.

Follow the applicable procedure below.

1. Disconnect the electric power at the circuit breaker or the electric service switch.
2. Turn off the water supply.
3. Remove the water from the water trough.
4. Disconnect and drain the incoming ice-making water line at the rear of the ice machine.
5. Blow compressed air in both the incoming water and the drain openings in the rear of the ice machine until no more water comes out of the inlet water lines or the drain.
6. Make sure water is not trapped in any of the water lines, drain lines, distribution tubes, etc.

Section 5

Customer Support

Checklist

If a problem arises during operation of your ice machine, follow the checklist below before calling service. Routine adjustments and maintenance procedures are not covered by the warranty.

Problem	Possible Cause	To Correct
Ice machine does not operate.	No electrical power to the ice machine.	Replace the fuse/reset the breaker/turn on the main switch/plug power cord into receptacle.
	ON/OFF/ WASH toggle switch set improperly.	Move the toggle switch to the ON position.
	Damper in open position (down).	Damper must be in upright position and capable of swinging freely.
Ice machine stops, and can be restarted by moving the toggle switch to OFF and back to ICE.	Safety limit feature stopping the ice machine.	Refer to "Safety Limit Feature" on the next page.
Ice machine does not release ice or is slow to harvest.	Ice machine is dirty.	Clean and sanitize the ice machine.
	Ice machine is not level.	Level the ice machine.
	Low air temperature around ice machine.	Air temperature must be at least 35°F (2°C).
Ice machine does not cycle into harvest mode.	The six-minute freeze time lock-in has not expired yet.	Wait for freeze lock-in to expire.
	Ice thickness probe is dirty.	Clean and sanitize the ice machine.
	Ice thickness probe wire is disconnected.	Connect the wire.
	Ice thickness probe is out of adjustment.	Adjust the ice thickness probe.
	Uneven ice fill (thin at top of evaporator).	See "Shallow or Incomplete Cubes" on the next page.
Ice quality is poor (soft or not clear).	Poor incoming water quality.	Contact a qualified service company to test the quality of the incoming water and make appropriate filter recommendations.
	Water filtration is poor.	Replace the filter.
	Ice machine is dirty.	Clean and sanitize the ice machine.
	Water siphon is not working.	Check the water siphon system.
	Water softener is working improperly (if applicable).	Repair the water softener.

Continued on next page...

Problem	Possible Cause	To Correct
Ice machine produces shallow or incomplete cubes, or the ice fill pattern on the evaporator is incomplete.	Ice thickness probe is out of adjustment.	Adjust the ice thickness probe.
	Water trough level is too high or too low.	Check the water level.
	Water float valve filter screen is dirty.	Remove and clean the filter screen.
	Water filtration is poor.	Replace the filter.
	Hot incoming water.	Connect the ice machine to a cold water supply.
	Water float valve is not working.	Remove the water float valve and clean it.
	Incorrect incoming water pressure.	Water pressure must be 20-80 psi (137.9 - 551.5 kPA).
	Ice machine is not level.	Level the ice machine.
Low ice capacity.	Water float valve filter screen is dirty.	Remove and clean the filter screen.
	Incoming water supply is shut off.	Open the water service valve.
	Water float valve stuck open or leaking.	Remove the water float valve and clean it.
	The condenser is dirty.	Clean the condenser.
	High air temperature around ice machine.	Air temperature must not exceed 110°F (43°C).
	Inadequate clearance around the ice machine.	Provide adequate clearance.
	Objects stacked around ice machine, blocking airflow to condenser.	Remove items blocking airflow.

Safety Limit Feature

In addition to the standard safety controls, your Manitowoc ice machine features built-in safety limits that will stop the ice machine if conditions arise which could cause a major component failure.

Before calling for service, re-start the ice machine using the following procedure:

1. Move the ON/OFF/ WASH switch to OFF and then back to ON.
 - A. If the safety limit feature has stopped the ice machine, it will restart after a short delay. Proceed to step 2.
 - B. If the ice machine does not restart, see "Ice machine does not operate" on the previous page.
2. Allow the ice machine to run to determine if the condition is reoccurring.
 - A. If the ice machine stops again, the condition has reoccurred. Call for service.
 - B. If the ice machine continues to run, the condition has corrected itself. Allow the ice machine to continue running.

Commercial Ice Machine Warranty

Manitowoc Ice, Inc. (hereinafter referred to as the "COMPANY") warrants for a period of thirty-six months from the installation date (except as limited below) that new ice machines manufactured by the COMPANY shall be free of defects in material or workmanship under normal and proper use and maintenance as specified by the COMPANY and upon proper installation and start-up in accordance with the instruction manual supplied with the ice machine. The COMPANY's warranty hereunder with respect to the compressor shall apply for an additional twenty-four months, excluding all labor charges, and with respect to the evaporator for an additional twenty-four months, including labor charges.

The obligation of the COMPANY under this warranty is limited to the repair or replacement of parts, components, or assemblies that in the opinion of the COMPANY are defective. This warranty is further limited to the cost of parts, components or assemblies and standard straight time labor charges at the servicing location.

Time and hourly rate schedules, as published from time to time by the COMPANY, apply to all service procedures. Additional expenses including without limitation, travel time, overtime premium, material cost, accessing or removal of the ice machine, or shipping are the responsibility of the owner, along with all maintenance, adjustments, cleaning, and ice purchases. Labor covered under this warranty must be performed by a COMPANY Contracted Service Representative or a refrigeration service agency as qualified and authorized by the COMPANY's local Distributor. The COMPANY's liability under this warranty shall in no event be greater than the actual purchase price paid by customer for the ice machine.

The foregoing warranty shall not apply to (1) any part or assembly that has been altered, modified, or changed; (2) any part or assembly that has been subjected to misuse, abuse, neglect, or accidents; (3) any ice machine that has been installed and/or maintained inconsistent with the technical instructions provided by the COMPANY; or (4) any ice machine initially installed more than five years from the serial number production date. This warranty shall not apply if the Ice Machine's refrigeration system is modified with a condenser, heat reclaim device, or parts and assemblies other than those manufactured by the COMPANY, unless the COMPANY approves these modifications for specific locations in writing.

THIS WARRANTY IS IN LIEU OF ALL OTHER WARRANTIES OR GUARANTEES OF ANY KIND, EXPRESSED OR IMPLIED, INCLUDING ANY IMPLIED WARRANTY OF MERCHANTABILITY OR FITNESS FOR A PARTICULAR PURPOSE. In no event shall the COMPANY be liable for any special, indirect, incidental or consequential damages. Upon the expiration of the warranty period, the COMPANY's liability under this warranty shall terminate. The foregoing warranty shall constitute the sole liability of the COMPANY and the exclusive remedy of the customer or user.

To secure prompt and continuing warranty service, the warranty registration card must be completed and sent to the COMPANY within five (5) days from the installation date.

Complete the following and retain for your record:

Distributor/Dealer _____
Model Number _____ Serial Number _____
Installation Date _____

MANITOWOC ICE, INC.
2110 So. 26th St., P.O. Box 1720, Manitowoc, WI 54221-1720
Telephone: 920-682-0161 • Fax: 920-683-7585
Web Site - www.manitowocice.com
Form 80-0375-3 Rev. 01-02

Residential Ice Machine Limited Warranty

WHAT DOES THIS LIMITED WARRANTY COVER?

Subject to the exclusions and limitations below, Manitowoc Foodservice ("Manitowoc") warrants to the original consumer that any new ice machine manufactured by Manitowoc (the "Product") shall be free of defects in material or workmanship for the warranty period outlined below under normal use and maintenance, and upon proper installation and start-up in accordance with the instruction manual supplied with the Product.

HOW LONG DOES THIS LIMITED WARRANTY LAST?

<u>Product Covered</u>	<u>Warranty Period</u>
Ice Machine	Twelve (12) months from the sale date

WHO IS COVERED BY THIS LIMITED WARRANTY?

This limited warranty only applies to the original consumer of the Product and is not transferable.

WHAT ARE MANITOWOC ICE'S OBLIGATIONS UNDER THIS LIMITED WARRANTY?

If a defect arises and Manitowoc receives a valid warranty claim prior to the expiration of the warranty period, Manitowoc shall, at its option: (1) repair the Product at Manitowoc's cost, including standard straight time labor charges, (2) replace the Product with one that is new or at least as functionally equivalent as the original, or (3) refund the purchase price for the Product. Replacement parts are warranted for 90 days or the balance of the original warranty period, whichever is longer. The foregoing constitutes Manitowoc's sole obligation and the consumer's exclusive remedy for any breach of this limited warranty. Manitowoc's liability under this limited warranty is limited to the purchase price of Product. Additional expenses including, without limitation, service travel time, overtime or premium labor charges, accessing or removing the Product, or shipping are the responsibility of the consumer.

HOW TO OBTAIN WARRANTY SERVICE

To obtain warranty service or information regarding your Product, please contact us at:

MANITOWOC FOODSERVICE

2110 So. 26th St.

P.O. Box 1720,

Manitowoc, WI 54221-1720

Telephone: 920-682-0161 Fax: 920-683-7585

www.manitowocice.com

WHAT IS NOT COVERED?

This limited warranty does not cover, and you are solely responsible for the costs of: (1) periodic or routine maintenance, (2) repair or replacement of the Product or parts due to normal wear and tear, (3) defects or damage to the Product or parts resulting from misuse, abuse, neglect, or accidents, (4) defects or damage to the Product or parts resulting from improper or unauthorized alterations, modifications, or changes; and (5) defects or damage to any Product that has not been installed and/or maintained in accordance with the instruction manual or technical instructions provided by Manitowoc. To the extent that warranty exclusions are not permitted under some state laws, these exclusions may not apply to you.

EXCEPT AS STATED IN THE FOLLOWING SENTENCE, THIS LIMITED WARRANTY IS THE SOLE AND EXCLUSIVE WARRANTY OF MANITOWOC WITH REGARD TO THE PRODUCT. ALL IMPLIED WARRANTIES ARE STRICTLY LIMITED TO THE DURATION OF THE LIMITED WARRANTY APPLICABLE TO THE PRODUCTS AS STATED ABOVE, INCLUDING BUT NOT LIMITED TO, ANY WARRANTY OF MERCHANTABILITY OR OF FITNESS FOR A PARTICULAR PURPOSE.

Some states do not allow limitations on how long an implied warranty lasts, so the above limitation may not apply to you.

IN NO EVENT SHALL MANITOWOC OR ANY OF ITS AFFILIATES BE LIABLE TO THE CONSUMER OR ANY OTHER PERSON FOR ANY INCIDENTAL, CONSEQUENTIAL OR SPECIAL DAMAGES OF ANY KIND (INCLUDING, WITHOUT LIMITATION, LOSS PROFITS, REVENUE OR BUSINESS) ARISING FROM OR IN ANY MANNER CONNECTED WITH THE PRODUCT, ANY BREACH OF THIS LIMITED WARRANTY, OR ANY OTHER CAUSE WHATSOEVER, WHETHER BASED ON CONTRACT, TORT OR ANY OTHER THEORY OF LIABILITY.

Some states do not allow the exclusion or limitation of incidental or consequential damages, so the above limitation or exclusion may not apply to you.

HOW STATE LAW APPLIES

This limited warranty gives you specific legal rights, and you may also have rights that vary from state to state or from one jurisdiction to another.

REGISTRATION CARD

To secure prompt and continuing warranty service, this warranty registration card must be completed and sent to Manitowoc within thirty (30) days from the sale date. Complete the following registration card and send it to Manitowoc.

Table des matières

Section 1 Généralités 25

Références des modèles	25
Accessoires	25
Système de filtration d'eau Tri-Liminator	25
Nettoyant et désinfectant Manitowoc	25

Section 2 Instructions d'installation 26

Emplacement de la machine à glaçons	26
Machine à glaçons Chaleur de rejet	26
Niveler la machine à glaçons	26
Alimentation électrique	27
Tension	27
Fusible/Disjoncteur	27
Caractéristiques électriques	27
Service d'eau/Évacuations d'eau	27
Alimentation en eau	27
Raccordements d'évacuation	27
Dimensionnement/Raccordement des conduites d'alimentation en eau et d'évacuation	28
Liste de vérification d'installation	29
Avant la mise en marche de la machine à glaçons	29
Inspection de la machine à glaçons	29

Section 3 Fonctionnement

Séquence de fabrication des glaçons	30
Mise en marche initiale ou mise en marche après arrêt automatique	30
Séquence de congélation	30
Séquence de démoulage	30
Arrêt automatique	30
Vérifications opérationnelles	31
Généralités	31
Système de siphonnement	31
Contrôle du robinet à flotteur d'eau	31
Contrôle du niveau d'eau	32
Contrôle de l'épaisseur du pont de glace	32

Table des matières (suite)

Section 4 Entretien

Nettoyage et désinfection intérieurs	33
Généralités	33
Procédure de nettoyage et de désinfection	33
Nettoyage extérieur	38
Nettoyage du condenseur	39
Mise hors service/Hivérisation	39

Section 5 Service clientèle

Liste de vérification	40
Fonction de limite de sécurité	41
Garantie commerciale de la machine à glaçons	42
Garantie limitée résidentielle de la machine à glaçons	43

Section 1

Généralités

Références des modèles

Le présent manuel s'applique aux modèles suivants :

QM45A	115/60/1
QM45A	230/50/1
QM45A	230/60/1

Accessoires

Contactez le distributeur Manitowoc pour obtenir ces accessoires en option :

SYSTÈME DE FILTRATION D'EAU TRI-LIMINATOR

Conçus spécifiquement pour les machines à glaçons Manitowoc, les filtres à eau Tri-Liminator sont une méthode efficace, fiable et abordable pour empêcher la formation de tartre, filtrer les sédiments et éliminer le goût et l'odeur du chlore.

NETTOYANT ET DÉSINFECTANT MANITOWOC

Le nettoyant et le désinfectant pour machines à glaçons Manitowoc sont disponibles en bouteilles pratiques de 473 ml (16 oz) et de 3,78 l (1 gallon). Ce nettoyant et ce désinfectant sont les seuls produits approuvés pour les machines Manitowoc.

Référence du nettoyant		Référence du désinfectant	
16 oz	94-0456-3	16 oz	94-0565-3
1 Gallon	94-0580-3	1 Gallon	94-0581-3

Section 2

Instructions d'installation

Emplacement de la machine à glaçons

Le choix de l'emplacement pour la machine à glaçons doit respecter les critères suivants. Si l'un de ces critères n'est pas respecté, choisir un autre emplacement.

- L'emplacement doit se trouver à l'intérieur.
 - L'emplacement doit être exempt d'agents aéroportés et de toute autre substance contaminante.
 - La température de l'air doit être au moins de 2°C (35°F) sans toutefois excéder 43 °C (110 °F).
 - L'emplacement ne doit pas se trouver à proximité d'appareils générateurs de chaleur ou à la lumière directe du soleil.
 - L'emplacement doit pouvoir supporter le poids de la machine à glaçons et un bac plein de glaçons.
 - L'emplacement doit prévoir suffisamment de dégagement pour les prises d'eau, raccordements de vidange et raccordements électriques à **l'arrière de la machine à glaçons**.
 - L'emplacement ne doit pas obstruer l'écoulement d'air dans la machine ou autour de celle-ci (le débit d'air du condenseur entre et sort sur le devant).
- Consulter le tableau ci-dessous pour obtenir les conditions d'espace requises.

	Autonomes refroidis à l'air
Haut/Côtés	127 mm (5")*
Arrière	127 mm (5")*

REMARQUE : La machine à glaçons peut être encastrée dans une armoire.

* Il n'y a aucune exigence de dégagement minimum pour le haut ou la gauche et la droite de la machine à glaçons. Les valeurs indiquées sont recommandées uniquement pour un fonctionnement et un entretien efficaces.

⚠ Attention

La machine à glaçons doit être protégée si elle est susceptible d'être soumise à des températures inférieures à 0 °C (32 °F). Toute défaillance due à une exposition à des températures inférieures à 0 °C n'est pas couverte par la garantie. Voir « Mise hors service/Hivérization » Section 4.

Machine à glaçons Chaleur de rejet

Série Machine à glaçons	Chaleur de rejet*	
	Climatisation**	Crête
QM45	1750	2600

* B.T.U./Heure

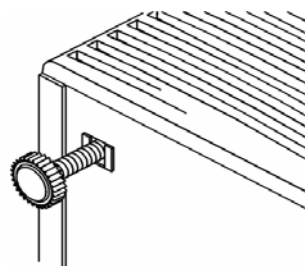
** Étant donné que la chaleur de rejet varie pendant le cycle de fabrication de glaçons, les chiffres représentés sont une moyenne.

Les machines à glaçons, tout comme tout autre équipement de réfrigération, rejettent la chaleur par le condenseur. Il est utile de connaître la quantité de chaleur rejetée par la machine à glaçons lors du dimensionnement du matériel de conditionnement d'air où sont installées les machines à glaçons autonomes refroidies par l'air.

Niveler la machine à glaçons

Après avoir déplacé la machine à glaçons dans son emplacement d'installation, il faut la niveler pour un fonctionnement approprié. Suivre ces étapes pour niveler la machine à glaçons :

1. Vérifier la mise à niveau de la machine à glaçons d'avant en arrière et latéralement.
2. Si la machine à glaçons n'est pas de niveau, ajuster les patins de nivellement sur chaque coin de la base de la machine à glaçons si besoin est.



Patin de nivellement

3. Vérifier la mise à niveau de la machine à glaçons après chaque réglage des patins de nivellement.
4. Répéter les étapes 2 et 3 jusqu'à ce que la machine à glaçons soit de niveau d'avant en arrière et latéralement.

Alimentation électrique

Avertissement

Tout le câblage doit être conforme aux codes locaux, régionaux et nationaux.

Phase de tension	Intensité totale
230/50/1	2,6
230/60/1	3,1
115/60/1	5,2

TENSION

La variation de tension admissible maximale est de $\pm 10\%$ de la tension nominale sur la plaque de référence/numéro de série de la machine à glaçons (lorsque la charge électrique est la plus haute).

Avertissement

La machine à glaçons doit être mise à la terre conformément aux codes de l'électricité nationaux et locaux.

Avertissement

Ne jamais utiliser de rallonge. Si une prise en se trouve pas à portée du cordon d'alimentation de la machine à glaçons, faire câbler une prise d'intensité appropriée plus près de la machine à glaçons.

FUSIBLE/DISJONCTEUR

Un fusible/disjoncteur séparé doit être fourni pour chaque machine à glaçons.

REMARQUE : Un sectionneur doit être fourni pour un câblage sur site.

CARACTÉRISTIQUES ÉLECTRIQUES

Les caractéristiques électriques permettent de sélectionner la dimension de câble de l'alimentation électrique. La dimension de câble (ou le calibre) dépendant également de l'emplacement, des matériaux utilisés, de la longueur de la conduite, etc., celles-ci doivent être déterminées par un électricien qualifié.

Service d'eau/Évacuations d'eau

ALIMENTATION EN EAU

En fonction des conditions d'eau locales, il peut s'avérer nécessaire de traiter l'eau pour empêcher la formation de tartre, filtrer les sédiments, éliminer le chlore et améliorer le goût et la clarté.

Important

Pour installer un système de filtration d'eau Tri-Liminator Manitowoc, consulter les Instructions d'installation fournies avec le système de filtration pour les raccordements d'arrivée d'eau de fabrication des glaçons.

Suivre ces directives pour l'installation des lignes d'arrivée d'eau :

- Connecter à une alimentation en eau potable uniquement.
- Ne pas raccorder la machine à glaçons à une alimentation en eau chaude. S'assurer que tous les restricteurs d'eau chaude installés pour les autres appareils fonctionnent (clapets de non-retour sur robinets d'éviers, lave-vaisselle, etc.)
- Si la pression de l'eau dépasse la pression maximale recommandée, se procurer un régulateur de pression d'eau auprès d'un distributeur Manitowoc.
- Installer un robinet d'arrêt de l'eau pour les lignes d'eau de fabrication de glaçons et d'eau du condenseur (le cas échéant).
- Isoler les conduites d'eau pour prévenir la condensation.

Important

La conduite d'arrivée d'eau est connectée au robinet d'eau. Ce robinet est situé juste derrière le panneau avant de la machine à glaçons.

RACCORDEMENTS D'ÉVACUATION

Suivre ces directives lors de l'installation des conduites d'évacuation pour empêcher l'eau de retourner s'écouler dans la machine à glaçons et dans le bac de stockage :

- Les lignes d'évacuation doivent avoir une inclinaison de 2,5 cm par mètre (1,5 pouce par 5 pieds) et ne doivent pas créer de siphons.
- Le siphon de sol doit être suffisamment grand pour recevoir l'eau provenant de toutes les évacuations.
- Isoler la ligne d'évacuation du bac pour éviter les problèmes de condensation.

DIMENSIONNEMENT/RACCORDEMENT DES CONDUITES D'ALIMENTATION EN EAU ET D'ÉVACUATION

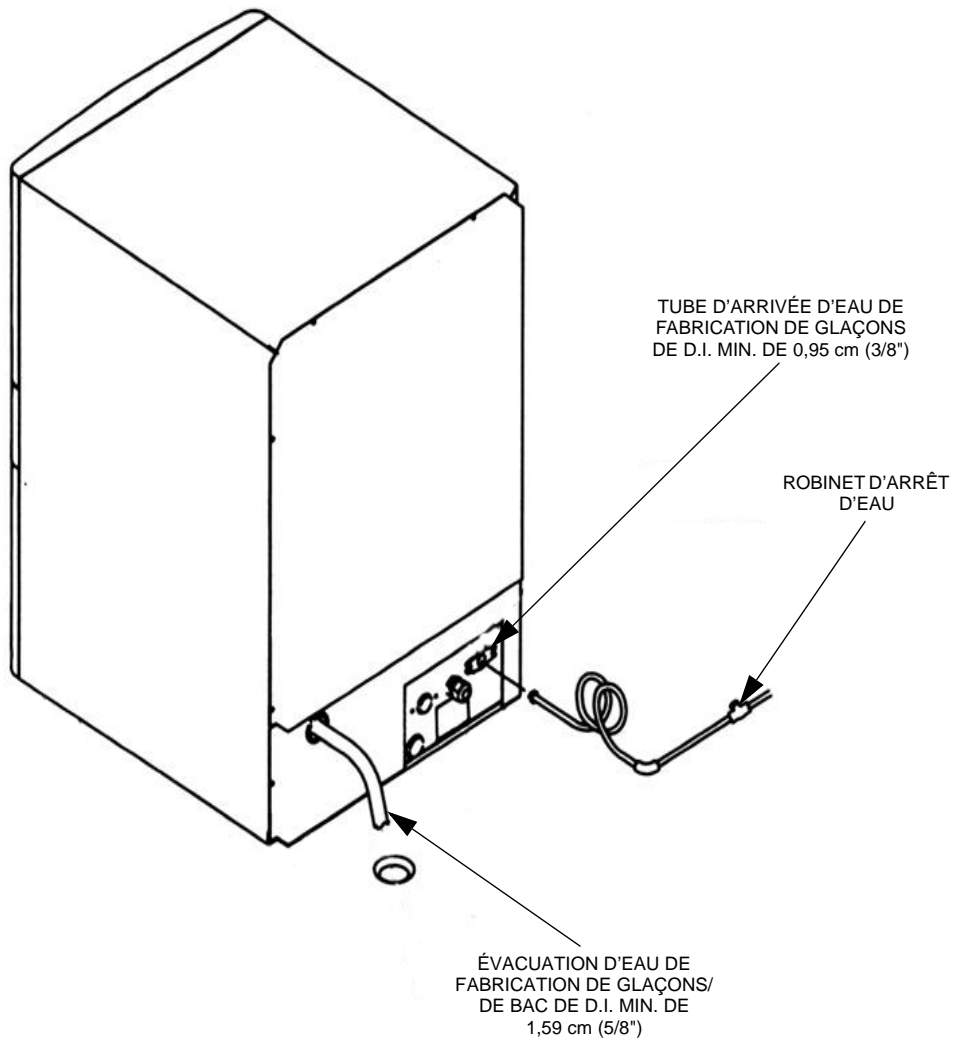
⚠ Attention

La tuyauterie doit être conforme aux codes locaux et régionaux.

	Température de l'eau	Pression d'eau	Raccordement de la machine à glaçons	Dimension de tubulure jusqu'à raccordement de machine à glaçons
Arrivée d'eau pour la fabrication de glaçons	0,6 °C (33 °F) Min. ¹ 32,2 °C (90 °F) Max. ²	137,9 kPa (20 psi) Min. ¹ 551,5 kPa (80 psi) Max. ²	Connexion de tuyau mâle de 3/8"	0,95 cm (3/8") diamètre intérieur minimum
Évacuation d'eau pour la fabrication de glaçons/le bac	—	—	Tube flexible de 1,59 cm (5/8") de diamètre intérieur	1,59 cm (5/8") diamètre intérieur minimum

¹ Min. = Minimum

² Max. = Maximum



Dimensionnement/Raccordement types des conduites d'alimentation en eau et d'évacuation

Liste de vérification d'installation

- La machine est-elle à niveau ?
- Tout l'emballage interne a-t-il été retiré ?
- Tous les raccordements électriques et d'eau ont-ils été effectués ?
- La tension d'alimentation a-t-elle été testée et vérifiée par rapport à la valeur nominale indiquée sur la plaque signalétique ?
- Y a-t-il un espace approprié autour de la machine à glaçons pour la circulation d'air ?
- La machine à glaçons a-t-elle été installée là où des températures ambiantes resteront dans la fourchette de 2 à 43 °C (35 à 110 °F) ?
- La machine à glaçons a-t-elle été installée là où la température d'eau entrante restera dans la fourchette de 1 à 32 °C (33 à 90 °F) ?
- Tous les fils électriques sont-ils exempts de contact des lignes de réfrigération et de l'équipement mobile ?
- Le propriétaire/l'opérateur ont-ils été informés de l'entretien et de l'utilisation du nettoyant et du désinfectant Manitowoc ?
- Le propriétaire/l'opérateur a-t-il rempli la carte de garantie ?
- La machine à glaçons et le bac ont-ils été désinfectés ?
- Ce manuel a-t-il été remis au propriétaire ou à l'opérateur ?

Avant la mise en marche de la machine à glaçons

Toutes les machines à glaçons Manitowoc sont mises en route et ajustées en usine avant l'expédition. Normalement, les nouvelles installations ne requièrent aucun ajustement.

Pour garantir un bon fonctionnement, suivre les Contrôles opérationnels. La mise en marche de la machine à glaçons et exécuter les contrôles opérationnels sont la responsabilité du propriétaire/de l'opérateur.

Les réglages et les procédures de maintenance indiqués dans ce manuel ne sont pas couverts par la garantie.

Inspection de la machine à glaçons

Vérifier tous les raccords et conduites d'eau pour fuites éventuelles. S'assurer également que la tuyauterie de réfrigération ne frotte pas ou ne vibre pas contre d'autres tubes, panneaux, etc.

Ne rien mettre (boîtes, etc.) devant la machine à glaçons. Il doit y avoir un débit d'air adéquat dans et autour de la machine à glaçons pour maximiser la production de glaçons et garantir une longue vie des composants.



Avertissement

RISQUE DE BLESSURES CORPORELLES

Ne pas utiliser un équipement qui aura été mal utilisé, abusé, négligé, endommagé ou dont les spécifications originales de fabrication auront été altérées/modifiées.

Section 3

Fonctionnement

Séquence de fabrication des glaçons

MISE EN MARCHÉ INITIALE OU MISE EN MARCHÉ APRÈS ARRÊT AUTOMATIQUE

1. Équilibrage de pression

Avant le démarrage du compresseur, le robinet de gaz chaud est sous tension pendant 15 secondes pour équilibrer les pressions pendant la mise en marche initiale du système de réfrigération.

2. Mise en marche du système de réfrigération

Le compresseur démarre après l'équilibrage de pression de 15 secondes et reste en marche pendant toutes les séquences de congélation et de démoulage. Le robinet de gaz chaud reste sous tension pendant 5 secondes pendant la mise en marche initiale du compresseur, puis se ferme.

Au moment du démarrage du compresseur, le moteur du ventilateur de condenseur (modèles refroidis à l'air) est mis sous tension pendant toutes les séquences de congélation et de démoulage. Le moteur du ventilateur étant par une commande par pression de cycle de ventilateur, il peut par conséquent, effectuer des révolutions en alternance. (Le compresseur et le moteur du ventilateur de condenseur sont câblés par le relais. En conséquence, à chaque fois que la bobine de relais est sous tension, le compresseur et le moteur de ventilateur sont alimentés.)

SÉQUENCE DE CONGÉLATION

3. Prérefroidissement

Le compresseur est sous tension pendant 30 secondes avant l'écoulement d'eau pour prérefroidir l'évaporateur.

4. Congélation

La pompe à eau démarre après le prérefroidissement de 30 secondes. Un écoulement uniforme d'eau est dirigé sur l'évaporateur et dans chaque cellule de glaçon où elle se congèle.

Lorsque suffisamment de glaçons se sont formés, l'écoulement d'eau (pas les glaçons) entre en contact avec la sonde d'épaisseur de glace. Au bout de 7 secondes environ de contact continu avec l'eau, la séquence démoulage est initiée. La machine à glaçons ne peut initier une séquence de démoulage qu'après avoir excédé un temps de congélation de 6 minutes.

SÉQUENCE DE DÉMOULAGE

5. Démoulage

La pompe à eau est mise hors tension et stoppe l'écoulement sur l'évaporateur. Le niveau montant de l'eau dans le bac de puisard détourne l'eau en la faisant sortir du tube de trop-plein, en purgeant tous les minéraux excessifs du bac de puisard. Le robinet de gaz chaud s'ouvre également pour détourner le gaz frigorigène chaud dans l'évaporateur.

Le gaz frigorigène chauffe l'évaporateur entraînant le glissement des cubes, comme une feuille, de l'évaporateur et dans le bac de stockage. La feuille glissante de cubes entre en contact avec l'amortisseur de glaçons, en ouvrant le commutateur de bac.

L'ouverture et la fermeture instantanées du commutateur de bac termine la séquence de démoulage et remet la machine à glaçons en séquence de congélation (étapes 3 - 4).

ARRÊT AUTOMATIQUE

6. Arrêt automatique

Lorsque le bac de stockage est plein à la fin d'une séquence de démoulage, la feuille de glaçons ne se dégage pas de l'amortisseur de glaçons et le maintiendra enfoncé. Une fois que l'amortisseur de glaçons est maintenu ouvert pendant 7 secondes, la machine à glaçons s'arrête. La machine reste arrêtée pendant 3 minutes avant qu'elle puisse redémarrer automatiquement.

La machine à glaçons reste arrêtée jusqu'à ce que suffisamment de glaçons aient été retirés du bac de stockage pour permettre aux glaçons de tomber à l'écart de l'amortisseur. Au fur et à mesure que l'amortisseur de glaçons bascule en position de fonctionnement, le commutateur de bac se referme et la machine à glaçons se remet en marche (étapes 1 - 2), à condition que le délai de 3 minutes soit terminé.

Vérifications opérationnelles

GÉNÉRALITÉS

Cette machine à glaçons Manitowoc a été mise en route et ajustée en usine avant l'expédition. Normalement, une machine à glaçons nouvellement installée ne requiert pas d'être ajustée.

Pour garantir un bon fonctionnement, toujours suivre les contrôles opérationnels avant de mettre la machine à glaçons en marche :

- pour la première fois
- après une période prolongée hors service
- après le nettoyage et la désinfection

Les réglages de routine et les procédures de maintenance périodique indiqués dans ce manuel ne sont pas couverts par la garantie.

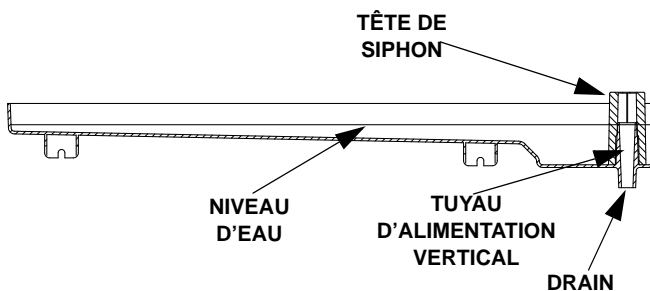
SYSTÈME DE SIPHONNEMENT

Pour réduire les dépôts de minéraux et la fréquence du nettoyage, l'eau dans le bac de puisard doit être purgée pendant chaque cycle de démoulage.

Lorsque la pompe à eau est hors tension, le niveau dans le bac à eau monte au-dessus du tuyau d'alimentation vertical démarrant ainsi une action de siphon. L'action de siphon s'arrête lorsque le niveau d'eau dans le bac de puisard baisse. Lorsque l'action de siphon s'arrête, le robinet à flotteur remplit le bac à eau au niveau correct.

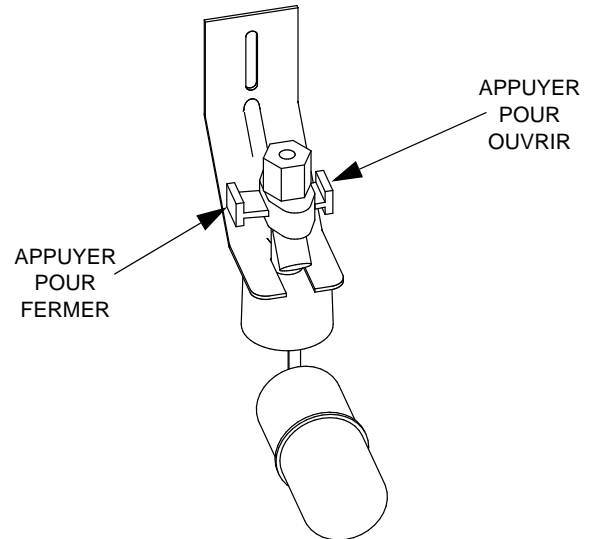
Contrôle du système de siphonnement

Suivre les étapes 1 à 6 sous la section Contrôle du niveau d'eau.



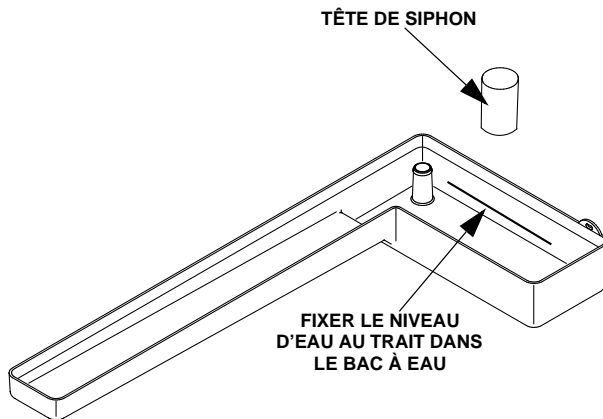
CONTRÔLE DU ROBINET À FLOTTEUR D'EAU

Avant que l'eau ne s'écoule dans le bac à eau, l'arrêt du robinet à flotteur doit être en position OPEN (OUVERTE).



CONTRÔLE DU NIVEAU D'EAU

Contrôler le niveau d'eau pendant que la machine à glaçons se trouve en mode ICE et que la pompe à eau fonctionne. Le niveau d'eau correct se trouve entre 6,3 mm (1/4") et 9,5 mm (3/8") sous le haut du tuyau d'alimentation vertical. Un trait dans le bac à eau indique le niveau correct.



Le robinet à flotteur est réglé en usine pour le niveau d'eau approprié. Si des réglages s'avèrent nécessaires :

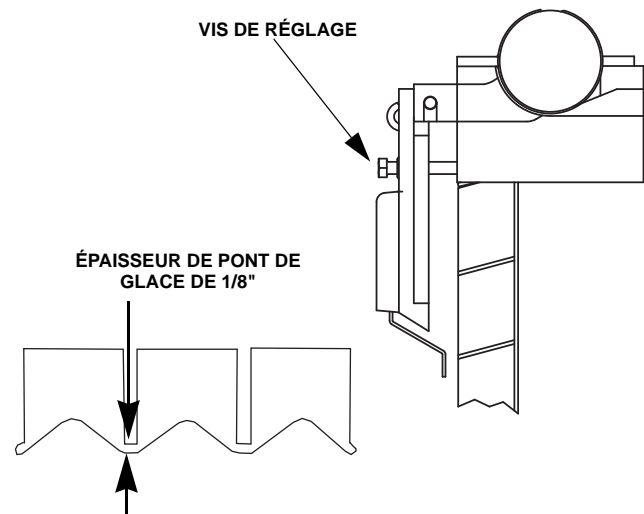
1. Vérifier que la machine à glaçons est de niveau (voir page 4-6).
2. Retirer la tête de siphon du tuyau d'alimentation vertical.
3. Mettre le commutateur à bascule principal ON/OFF/WASH en position ON et attendre jusqu'à ce que le robinet à flotteur arrête d'ajouter de l'eau.
4. Ajuster le niveau d'eau (6,3 à 9,5 mm [1/4" à 3/8"] sous le tuyau d'alimentation vertical) au trait dans le bac à eau :
5. Desserrer les deux vis sur le support de robinet à flotteur.
6. Remonter ou abaisser l'ensemble de robinet à flotteur selon les besoins, puis resserrer les vis.
7. Mettre le commutateur à bascule principal ON/OFF/WASH en position OFF. Le niveau d'eau dans le bac remontera au-dessus du tuyau d'alimentation vertical et s'écoulera dans l'évacuation.
8. Remettre la tête de siphon sur le tuyau d'alimentation vertical et vérifier le niveau d'eau et l'action de siphon en répétant les étapes 3 à 5.

CONTRÔLE DE L'ÉPAISSEUR DU PONT DE GLACE

La sonde d'épaisseur des glaçons est réglée en usine pour maintenir l'épaisseur du pont de glace à 3.2 mm (1/8").

1. Inspecter le pont connectant les glaçons. Son épaisseur doit être d'environ 3.2 mm (1/8").
2. Si un réglage est nécessaire, tourner la vis de réglage de la sonde d'épaisseur des glaçons dans le sens des aiguilles d'une montre pour augmenter l'épaisseur du pont ou dans le sens contraire des aiguilles d'une montre pour diminuer l'épaisseur du pont.

REMARQUE : Si la vis de réglage est tournée de 1/3, l'épaisseur des glaçons changera d'environ 1,5 mm (1/16").



Veiller à ce que le fil de la sonde d'épaisseur des glaçons et le support n'entravent pas le mouvement de la sonde.

Section 4

Entretien

Nettoyage et désinfection intérieurs

GÉNÉRALITÉS

Nettoyer et désinfecter la machine à glaçons tous les six mois pour un fonctionnement efficace. Si la machine à glaçons requiert un nettoyage et une désinfection plus fréquents, contacter une entreprise de maintenance qualifiée pour tester la qualité de l'eau et recommander un traitement approprié de l'eau.

La machine à glaçons doit être démontée pour le nettoyage et la désinfection.

Attention

Utiliser uniquement le nettoyant (référence 94-0546-3) et le désinfectant (référence 94-0565-3) pour machine à glaçons approuvés par Manitowoc. Utiliser ces solutions sans tenir compte des instructions figurant sur les étiquettes est une violation de la loi fédérale. Lire et comprendre toutes les étiquettes imprimées sur les flacons avant utilisation.

PROCÉDURE DE NETTOYAGE ET DE DÉSINFECTION

Attention

Ne pas mélanger les solutions nettoyantes et désinfectantes ensemble pour machines à glaçons. Utiliser ces solutions sans tenir compte des instructions figurant sur les étiquettes est une violation de la loi fédérale.

Avertissement

Porter des gants en caoutchouc et des lunettes de sécurité (et/ou un masque) lors de la manipulation du nettoyant ou du désinfectant pour machine à glaçons.

Utiliser le nettoyant pour machine à glaçons pour éliminer le tartre et les dépôts minéraux. Le désinfectant pour machine à glaçons désinfecte et élimine les algues et tout film biologique.

Étape 1 Régler l'interrupteur à bascule sur la position OFF une fois que les glaçons tombent de l'évaporateur à la fin d'un cycle de récupération des glaçons. Ou mettre l'interrupteur en position OFF et laisser fondre la glace hors de l'évaporateur.

Attention

Ne jamais utiliser quoi que ce soit pour forcer la glace à sortir de l'évaporateur et ce, pour éviter tout dommage.

Étape 2 Retirer tous les glaçons du bac.

Étape 3 Pour démarrer un cycle de nettoyage, mettre le commutateur à bascule en position WASH.

Étape 4 Ajouter la quantité appropriée du nettoyant pour machines à glaçons Manitowoc au bac d'eau.

Modèle	Quantité de nettoyant
QM45	45 ml (1,5 onces)

Étape 5 Attendre la fin du cycle de nettoyage (22 minutes environ) puis placer le commutateur à bascule en position OFF, mettre hors tension et couper les alimentations en eau à la machine à glaçons.

Avertissement

Couper l'alimentation de la machine à glaçons au niveau de la boîte de distribution électrique avant de continuer.

Étape 6 Retirer les pièces à nettoyer.

A. Supprimer Deux Thumbscrews et L'eau Pomper Parcourir (quand Utilisée).

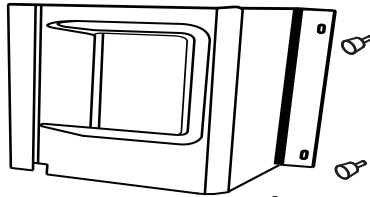
B. Retirer le tuyau en vinyle

- Débrancher le tuyau d'eau du tube de distribution et de la pompe à eau.

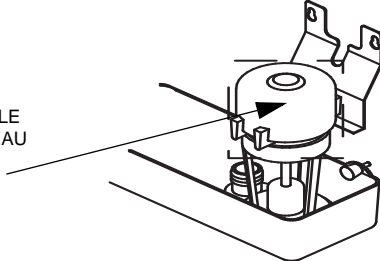
C. Retirer la pompe à eau

- Débrancher le cordon d'alimentation de la pompe à eau.

Quand Utilisée SUPPRIMER THUMBSCREWS ET L'EAU POMPER PARCOURIR



NE PAS FAIRE TREMPER LE MOTEUR DE LA POMPE À EAU DANS LA SOLUTION NETTOYANTE OU DÉSINFECTANTE



- Desserrer les vis maintenant le support de fixation de pompe à la cloison.
- Soulever la pompe et l'ensemble de support des vis de fixation.

D. Retrait de la sonde d'épaisseur de glaçons

- Comprimer le côté de la sonde d'épaisseur de glaçons près de l'axe d'articulation supérieur et retirer du support.

REMARQUE : À ce point, la sonde d'épaisseur de glaçons peut aisément être nettoyée. Si un retrait complet est souhaité, suivre le fil de la sonde d'épaisseur de glaçons à la bague de cloison (point de sortie) dans la paroi arrière. Faire sortir la bague de cloison de la paroi arrière en insérant les ongles ou un objet plat entre la paroi arrière et la bague et pousser vers l'avant. Tirer la bague de cloison et le fil vers l'avant jusqu'à ce que le connecteur soit accessible, puis déconnecter le fil du connecteur.

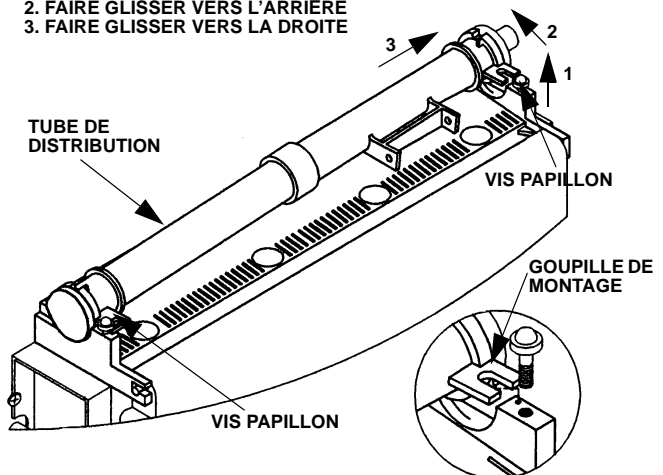
Nettoyage de la sonde d'épaisseur de glaçons

- Mélanger une solution de nettoyant pour machines à glaçons Manitowoc et d'eau (2 onces [60 ml] de nettoyant pour 16 onces [500 ml] d'eau) dans un récipient.
- Tremper la sonde d'épaisseur de glaçons pendant au moins 10 minutes.

Nettoyer toutes surfaces de sonde d'épaisseur de glaçons et vérifier que la cavité de sonde d'épaisseur de glaçons est propre. Rincer à fond à l'eau propre puis sécher complètement. Un rinçage et un séchage incomplets de la sonde d'épaisseur de glaçons peuvent entraîner un démoulage prématuré.

E. Retrait du tube de distribution d'eau

1. RELEVER
2. FAIRE GLISSER VERS L'ARRIÈRE
3. FAIRE GLISSER VERS LA DROITE



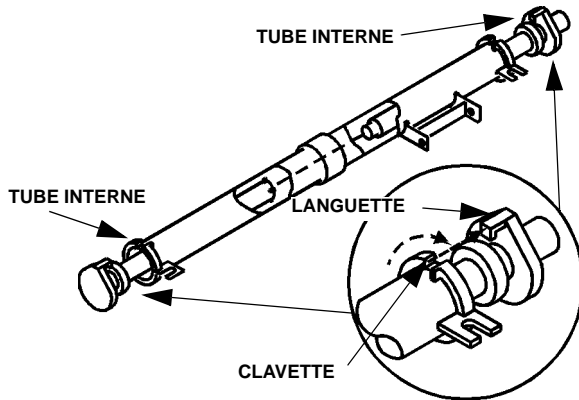
- Desserrer les deux vis papillon qui maintiennent le tube de distribution.
- Lever le côté droit du tube de distribution de la goupille de montage, puis le faire glisser vers l'arrière et vers la droite.

Attention

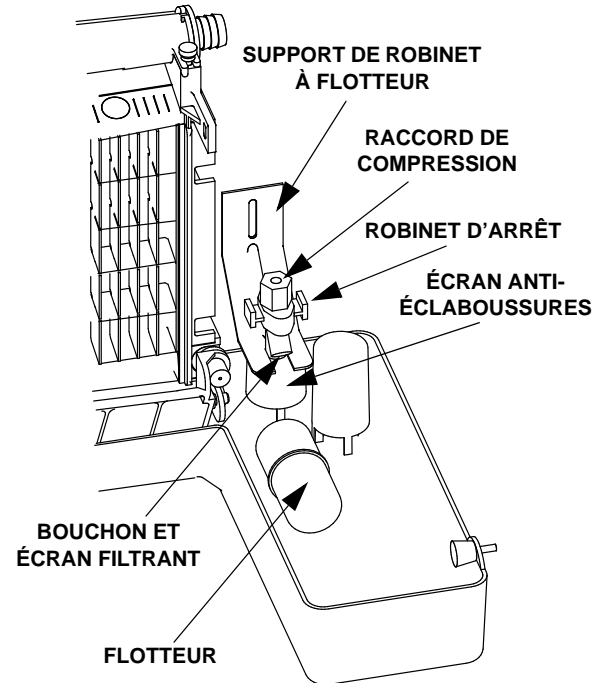
Ne pas forcer ce retrait. S'assurer que la goupille de montage est dégagée du trou avant de faire sortir le tube de distribution en le glissant.

Démontage

- Tourner les deux extrémités du tube interne jusqu'à ce que les languettes soient alignées avec les rainures.
- Tirer les extrémités du tube interne vers l'extérieur.

**F. Retrait du robinet à flotteur**

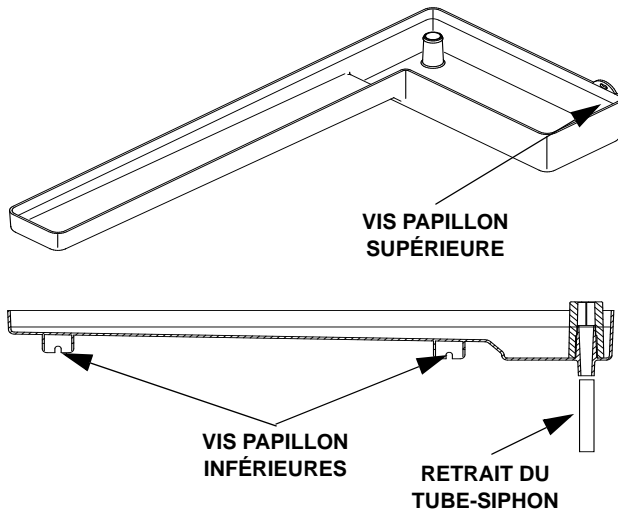
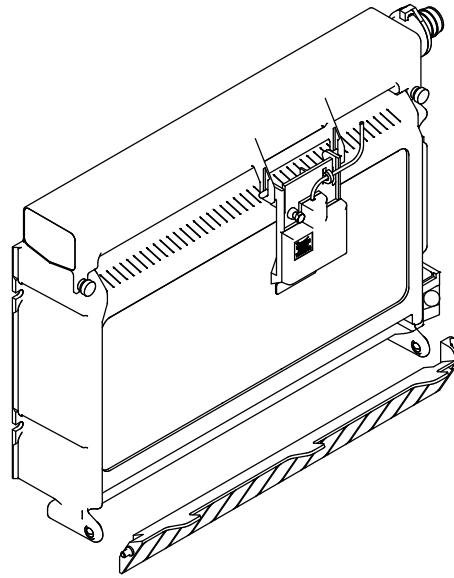
- Faire tourner l'écran anti-éclaboussures dans le sens contraire des aiguilles d'une montre d'un tour ou deux.



- Tirer le robinet à flotteur vers l'avant et hors du support de fixation.
- Déconnecter le tube d'arrivée d'eau du robinet à flotteur au niveau du raccord de compression.
- Retirer le bouchon et l'écran filtrant pour nettoyage.

G. Retrait du bac à eau

- Appliquer une pression vers le bas sur le tube-siphon et retirer du fond du bac à eau.
- Retirer la vis papillon supérieure.
- Tout en supportant le bac à eau, retirer les deux vis papillon de dessous le bac à eau.
- Retirer le bac à eau de la zone du bac.

**H. Retrait de l'amortisseur de glaçons.**

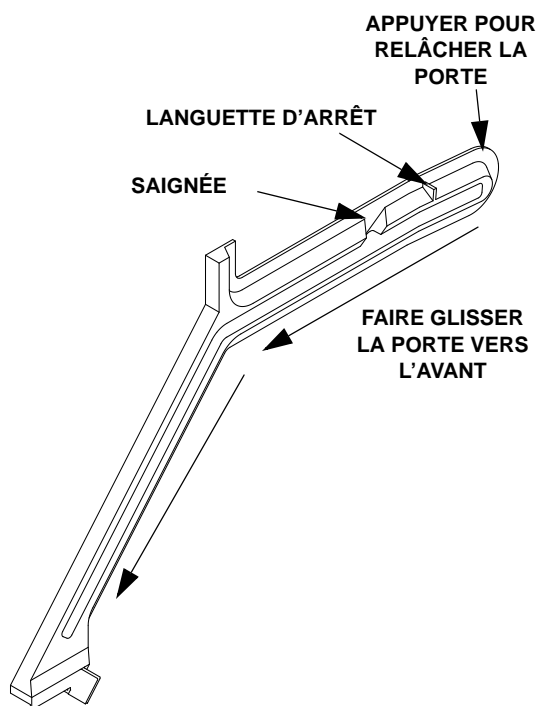
- Saisir l'amortisseur de glaçons et appliquer une pression sur le support de fixation gauche.
- Appliquer une pression sur le support de fixation droit avec le pouce.
- Tirer l'amortisseur de glaçons vers l'avant lorsque la goupille droite de l'amortisseur de glaçons se désengage.

Installation

- Placer l'amortisseur de glaçons dans le support de fixation gauche et appliquer une pression sur le support de fixation gauche.
- Appliquer une pression sur le support de fixation droit avec le pouce.
- Pousser l'amortisseur de glaçons vers l'évaporateur jusqu'à ce que la goupille droite d'amortisseur s'enclenche.

I. Retrait de la porte du bac

- Saisir l'arrière de la porte du bac et pousser la porte du bac vers l'avant de 13 cm (5") environ.
- Faire glisser la porte de bac vers l'arrière tout en appliquant une pression vers le haut (les goupilles de porte arrière glisseront dans la saignée et glisseront vers l'arrière jusqu'à la languette d'arrêt).
- Tout en appliquant de la pression contre la porte de bac, appuyer sur l'arrière de chaque coulisse de porte de bac jusqu'à ce que les goupilles de porte se dégagent des languettes d'arrêt.
- Faire glisser les goupilles de porte arrière de l'extrémité puis sous la coulisse de porte. Faire glisser la porte de bac vers l'avant en permettant à l'arrière de la porte de s'abaisser dans le bac. Continuer vers l'avant avec la porte de bac jusqu'à ce que les goupilles avant touchent le fond de la coulisse.
- Soulever le côté droit de la porte jusqu'à ce que les goupilles avant dégagent la coulisse, puis retirer la porte du bac.



Étape 7 Mélanger une solution nettoyante avec de l'eau chaude. Selon la quantité de dépôt minéral, une quantité plus importante de solution peut être requise. Utiliser le rapport dans le tableau ci-dessous pour mélanger suffisamment de solution pour nettoyer toutes les pièces.

Type de solution	Eau	Mélangée avec
Nettoyant	4 l (1 gallon)	500 ml (16 oz) de nettoyant

Étape 8 Utiliser la moitié de la solution nettoyant/eau pour nettoyer tous les composants. La solution nettoyante mousse lorsqu'elle est en contact avec du tartre ou des dépôts minéraux ; lorsque la formation de mousse s'arrête, utiliser une brosse en nylon à poils souples, une éponge ou un chiffon (pas une brosse métallique) pour nettoyer soigneusement les pièces. Faire tremper les pièces pendant 5 minutes (15 - 20 minutes pour les pièces fortement entartrées). Rincer tous les composants à l'eau claire.

Étape 9 Pendant le trempage des composants, utiliser la moitié de la solution nettoyant/eau pour nettoyer toutes les surfaces de zone alimentaire de la machine à glaçons et du bac. Utiliser une brosse en nylon ou un chiffon pour nettoyer les zones suivantes de la machine à glaçons :

- Pièces en plastique de l'évaporateur – y compris les parties supérieures, inférieures et latérales
- Fond, côtés et dessus du bac

Rincer complètement toutes les zones à l'eau claire.

Étape 10 Mélanger une solution désinfectante avec de l'eau chaude.

Type de solution	Eau	Mélangée avec
Désinfectant	23 l (6 gallons)	120 ml (4 oz) de désinfectant

Étape 11 Utiliser la moitié de la solution désinfectant/eau pour désinfecter tous les composants retirés. Utiliser un chiffon ou une éponge pour appliquer abondamment la solution sur toutes les surfaces des pièces retirées ou faire tremper les pièces retirées dans la solution désinfectant/eau. Ne pas rincer les pièces après la désinfection.

Étape 12 Utiliser la moitié de la solution désinfectant/eau pour désinfecter toutes les surfaces de zone alimentaire de la machine à glaçons et du bac. Utiliser un chiffon ou une éponge pour appliquer abondamment la solution. Lors de la désinfection, faire particulièrement attention aux zones suivantes :

- Pièces en plastique de l'évaporateur – y compris les parties supérieures, inférieures et latérales
- Fond, côtés et dessus du bac

Ne pas rincer les zones désinfectées.

Étape 13 Remettre tous les composants retirés en place.

Étape 14 Remettre la machine à glaçons sous tension et ouvrir l'alimentation en eau, puis placer le commutateur à bascule en position WASH.

Étape 15 Ajouter la quantité appropriée du désinfectant pour machines à glaçons Manitowoc au bac d'eau.

Modèle	Quantité de désinfectant
QM45	145 ml (0,5 onces)

Étape 16 Attendre la fin du cycle de désinfection (22 minutes environ) puis placer le commutateur à bascule en position OFF, mettre hors tension et couper les alimentations en eau à la machine à glaçons.



Avertissement

Couper l'alimentation de la machine à glaçons au niveau de la boîte de distribution électrique avant de continuer.

Étape 17 Refaire l'étape 6 pour retirer les pièces devant être désinfectées à la main.

Étape 18 Mélanger une solution désinfectante avec de l'eau chaude.

Type de solution	Eau	Mélangée avec
Désinfectant	23 l (6 gallons)	120 ml (4 oz) de désinfectant

Étape 19 Utiliser la moitié de la solution désinfectant/eau pour désinfecter tous les composants retirés. Utiliser un chiffon ou une éponge pour appliquer abondamment la solution sur toutes les surfaces des pièces retirées ou faire tremper les pièces retirées dans la solution désinfectant/eau. Ne pas rincer les pièces après la désinfection.

Étape 20 Utiliser la moitié de la solution désinfectant/eau pour désinfecter toutes les surfaces de zone alimentaire de la machine à glaçons et du bac. Utiliser un chiffon ou une éponge pour appliquer abondamment la solution. Lors de la désinfection, faire particulièrement attention aux zones suivantes :

- Pièces en plastique de l'évaporateur – y compris les parties supérieures, inférieures et latérales
- Fond, côtés et dessus du bac

Ne pas rincer les zones désinfectées.

Étape 21 Remettre tous les composants retirés en place.

Étape 22 Remettre la machine à glaçons sous tension et ouvrir l'alimentation en eau, puis placer le commutateur à bascule en position ICE.

Nettoyage extérieur

Nettoyer la zone entourant la machine à glaçons aussi souvent qu'il le faut pour maintenir sa propreté et un fonctionnement efficace.

Éponger la poussière et la saleté sur l'extérieur de la machine à glaçons avec de l'eau et un savon doux. Essuyer à l'aide d'un chiffon propre et doux.

Utiliser un produit à nettoyer/polir pour acier inoxydable de qualité commerciale selon les besoins.

Nettoyage du condenseur

Avertissement

Couper l'alimentation de la machine à glaçons au niveau de l'interrupteur de distribution électrique avant de nettoyer le condenseur.

Un condenseur sale restreint le débit d'air, entraînant ainsi des températures de fonctionnement excessivement élevées. Ce qui réduit la production de glaçons et raccourcit la durée de vie des composants. Nettoyer le condenseur au moins tous les six mois. Suivre les étapes ci-dessous.

Avertissement

Les ailettes du condenseur sont coupantes. Faire attention en les nettoyant.

1. Le filtre en aluminium lavable sur les machines à glaçons autonomes est conçu pour attraper la poussière, la saleté, les peluches et la graisse. Ceci permet de conserver le condenseur propre. Nettoyer le filtre avec une solution d'eau et de savon doux.
2. Nettoyer l'extérieur du condenseur à l'aide d'une brosse douce ou d'un aspirateur avec une brosse. Nettoyer de haut en bas, non pas latéralement. Faire attention de ne pas plier les ailettes de condenseur.
3. Éclairer une lampe de poche dans le condenseur pour inspecter toute présence éventuelle de saleté entre les ailettes. S'il reste de la saleté : Souffler de l'air comprimé à travers les ailettes de condenseur de l'intérieur. Faire attention de ne pas plier les pales de ventilateur.
4. Utiliser un nettoyant commercial pour serpentins de condenseur. Suivre les directions et respecter les mises en garde du nettoyant.
5. Redresser toute ailette de condenseur courbée à l'aide d'un peigne à ailettes.
6. Essuyer soigneusement les pales de ventilateur et le moteur à l'aide d'un chiffon doux. Ne pas courber les pales de ventilateur. Si les pales de ventilateur sont excessivement sales, laver à l'eau chaude savonneuse et bien rincer.

Attention

Si les pales de ventilateur de condenseur sont nettoyés à l'eau, couvrir le moteur de ventilateur pour prévenir tout dommage d'eau.

Mise hors service/Hivérisation

Prendre des précautions si la machine à glaçons doit être enlevée pour service pendant une période prolongée ou être exposée à des températures ambiantes de 0 °C (32 °F) ou moins.

Attention

Si de l'eau reste dans la machine à glaçons à des températures inférieures à 0 °C, des composants pourraient être gravement endommagés. Les dommages de cette nature ne sont pas couverts par la garantie.

Suivre la procédure en vigueur ci-dessous.

1. Débrancher l'alimentation électrique au niveau du disjoncteur ou de l'interrupteur de distribution électrique.
2. Couper l'alimentation en eau.
3. Vider l'eau du bac à eau.
4. Débrancher et évacuer la conduite d'eau entrante de fabrication de glaçons à l'arrière de la machine à glaçons.
5. Souffler de l'air comprimé dans les ouvertures de l'eau entrante et de l'évacuation à l'arrière de la machine à glaçons jusqu'à ce qu'il n'y ait plus d'eau sortant des conduites d'eau entrante ou de l'évacuation.
6. S'assurer que l'eau n'est pas piégée dans l'une des conduites d'eau, d'évacuation, de distribution, etc.

Section 5

Service clientèle

Liste de vérification

En cas de problème pendant le fonctionnement de la machine à glaçons, suivre la liste de vérification ci-dessous avant de contacter le service technique. Les réglages périodiques et procédures d'entretien ne sont pas couverts par la garantie.

Problème	Cause possible	Mesure corrective
La machine à glaçons ne fonctionne pas.	Absence d'alimentation électrique à la machine à glaçons.	Remplacer le fusible/réinitialiser le disjoncteur/activer l'interrupteur principal/brancher le cordon dans la prise.
	Interrupteur à bascule ON/OFF/WASH mal réglé.	Mettre l'interrupteur à bascule en position ON.
	Amortisseur en position ouverte (vers le bas).	L'amortisseur doit être en position verticale et capable d'osciller librement.
La machine à glaçons s'arrête et peut être remise en marche en déplaçant l'interrupteur à bascule sur OFF puis sur ICE.	La fonction de limite de sécurité arrête la machine à glaçons.	Se reporter à « Fonction de limite de sécurité » à la page suivante.
La machine à glaçons ne libère pas les glaçons ou est lente à récupérer les glaçons.	La machine à glaçons est sale.	Nettoyer et désinfecter la machine à glaçons.
	La machine à glaçons n'est pas nivelée.	Niveler la machine à glaçons.
	Température ambiante basse autour de la machine à glaçons.	La température ambiante doit être au moins de 2 °C (35 °F).
La machine à glaçons ne cycle pas en mode de récupération.	Le verrouillage de temps de congélation de six minutes n'est pas encore arrivé à échéance.	Attendre que le verrouillage de congélation arrive à échéance.
	La sonde d'épaisseur des glaçons est sale.	Nettoyer et désinfecter la machine à glaçons.
	Le fil de sonde d'épaisseur des glaçons est débranché.	Raccorder le fil.
	La sonde d'épaisseur des glaçons est dérégulée.	Régler la sonde d'épaisseur de glaçons.
	Remplissage de glaçon irrégulier (mince sur le dessus de l'évaporateur).	Voir la section « Glaçons creux ou incomplets » à la page suivante.
La qualité des glaçons est médiocre (mous ou opaques).	Qualité médiocre de l'eau entrante.	Contactez une entreprise de maintenance qualifiée pour tester la qualité de l'eau entrante et faire les recommandations de filtre appropriées.
	La filtration de l'eau est médiocre.	Changer le filtre.
	La machine à glaçons est sale.	Nettoyer et désinfecter la machine à glaçons.
	Siphon d'eau ne fonctionne pas.	Vérifier le système de siphon d'eau.
	L'adoucisseur d'eau ne fonctionne pas correctement (le cas échéant).	Réparer l'adoucisseur d'eau.

Suite à la page suivante ...

Problème	Cause possible	Mesure corrective
La machine à glaçons produit des glaçons creux et incomplets, ou le motif de remplissage de glaçons sur l'évaporateur est incomplet.	La sonde d'épaisseur des glaçons est dérégulée.	Régler la sonde d'épaisseur de glaçons.
	Le niveau du bac à eau est trop élevé ou trop bas.	Contrôler le niveau d'eau.
	La crépine du robinet à flotteur d'eau est sale.	Retirer et nettoyer la crépine.
	La filtration de l'eau est médiocre.	Changer le filtre.
	Eau d'arrivée chaude.	Raccorder la machine à glaçons à une alimentation en eau froide.
	Le robinet à flotteur d'eau ne fonctionne pas.	Retirer le robinet à flotteur d'eau et le nettoyer.
	Pression d'eau entrante incorrecte.	La pression d'eau doit être de 137,9 - 551,5 kPA (20-80 psi).
	La machine à glaçons n'est pas nivelée.	Niveler la machine à glaçons.
Faible capacité de glaçons.	La crépine du robinet à flotteur d'eau est sale.	Retirer et nettoyer la crépine.
	L'alimentation d'eau entrante est fermée.	Ouvrir le robinet de service d'eau.
	Le robinet à flotteur d'eau est coincé ouvert ou fuit.	Retirer le robinet à flotteur d'eau et le nettoyer.
	Le condenseur est sale.	Nettoyer le condenseur.
	Température ambiante élevée autour de la machine à glaçons.	La température ambiante ne doit pas être supérieure à 43 °C (110 °F).
	Espace inapproprié autour de la machine à glaçons.	Fournir espace adéquat.
	Objets empilés autour de la machine à glaçons, bloquant le débit d'air vers le condenseur.	Retirer les articles bloquant le débit d'air.

Fonction de limite de sécurité

En plus des contrôles de sécurité standard, la machine à glaçons Manitowoc comporte des limites de sécurité intégrées qui arrêteront la machine à glaçons dans l'éventualité de conditions susceptibles de provoquer une défaillance de composants principaux.

Avant de contacter le service technique, redémarrer la machine à glaçons en respectant la procédure suivante :

1. Mettre l'interrupteur ON/OFF/WASH en position OFF puis en position ON.
 - A. Si la limite de sécurité a arrêté la machine à glaçons, celle-ci se remettra en marche après un court délai. Passer à l'étape 2.
 - B. Si la machine à glaçons ne se remet pas en marche, voir la section « La machine à glaçons ne fonctionne pas » à la page précédente.

2. Laisser fonctionner la machine à glaçons pour voir si la condition se répète.

- A. Si la machine à glaçons s'arrête à nouveau, c'est que la condition s'est répétée. Contacter le service technique.
- B. Si la machine à glaçons continue de fonctionner c'est que la condition s'est rectifiée d'elle-même. Laisser la machine à glaçons continuer à fonctionner.

Garantie commerciale de la machine à glaçons

Manitowoc Ice, Inc. (ci-après appelée la « SOCIÉTÉ ») garantit, pendant une période de trente-six mois à compter de la date d'installation (exception faite de la limitation ci-dessous), que les nouvelles machines à glaçons fabriquées par la SOCIÉTÉ sont exemptes de tout défaut de matériaux ou de fabrication à condition d'une utilisation et d'entretien normaux et appropriés tels que spécifiés par la SOCIÉTÉ, et avec une installation et une mise en service appropriées conformes au manuel d'instructions fourni avec la machine à glaçons. La garantie de la SOCIÉTÉ ci-après relative au compresseur s'applique pendant vingt-quatre mois supplémentaires, à l'exclusion des frais de main d'œuvre, et relative à l'évaporateur pendant vingt-quatre mois supplémentaires, y compris les frais de main d'œuvre.

L'obligation de la SOCIÉTÉ en vertu de la présente garantie est limitée à la réparation ou au remplacement des pièces, des composants ou des ensembles qui, selon la SOCIÉTÉ, sont défectueux. La présente garantie est également limitée au coût des pièces, composants ou ensembles, et aux frais de main d'œuvre au salaire de base sur le lieu du service technique.

Les tarifs de taux de base et horaires, tels que publiés de temps à autre par la SOCIÉTÉ, s'appliquent à toutes les procédures de service. Les frais supplémentaires, y compris mais sans s'y limiter, le temps de déplacement, la majoration pour travail supplémentaire, le coût des matériaux, l'accès à la machine à glaçons ou son retrait, ou encore l'expédition, sont à la charge du propriétaire, tout comme le sont l'entretien, les réglages, le nettoyage et les achats de glaçons. Le travail couvert par la présente garantie doit être effectué par un représentant du service technique sous contrat de la SOCIÉTÉ ou par un organisme de service de réfrigération tel que qualifié et homologué par le distributeur local de la SOCIÉTÉ. La responsabilité de la SOCIÉTÉ en vertu de la présente garantie ne sera en aucun cas supérieure au prix d'achat réel payé par le client pour la machine à glaçons.

La garantie précédente ne s'appliquera pas à (1) toute pièce ou tout ensemble qui auront été altérés, modifiés ou changés ; (2) toute pièce ou tout ensemble qui auront été soumis à une mauvaise utilisation, un abus, une négligence ou des accidents ; (3) toute machine à glaçons qui aura été installée et/ou entretenue à l'encontre des instructions techniques fournies par la SOCIÉTÉ ; ou (4) toute machine à glaçons qui aura été initialement installée plus de cinq ans à compter de la date de production du numéro de série. La présente garantie ne s'applique pas si le système de réfrigération de la machine à glaçons est modifié par un condenseur, un récupérateur de chaleur ou d'autres pièces ou ensembles non fabriqués par la SOCIÉTÉ, sauf en cas de l'approbation écrite par la SOCIÉTÉ de ces modifications pour des emplacements spécifiques.

LA PRÉSENTE GARANTIE REMPLACE TOUTES LES AUTRES GARANTIES DE TOUTE SORTE, EXPRESSES OU TACITES, Y COMPRIS TOUTE GARANTIE IMPLICITE DE QUALITÉ MARCHANDE OU D'ADAPTATION À UN USAGE PARTICULIER. En aucun cas, la SOCIÉTÉ ne peut être tenue responsable des dommages spéciaux, indirects, accessoires ou consécutifs. Lors de l'échéance de la période de garantie, la responsabilité de la SOCIÉTÉ en vertu de la présente garantie viendra à échéance. La garantie précédente constitue la seule responsabilité de la SOCIÉTÉ et le recours exclusif du client ou de l'utilisateur.

Pour assurer un service de garantie prompt et permanent, la carte de garantie doit être remplie et envoyée à la SOCIÉTÉ dans les cinq (5) jours suivant la date d'installation.

Remplir ce qui suit et conserver cette information :

Distributeur/Revendeur _____

Référence de modèle _____ Numéro de série _____

Date d'installation _____

MANITOWOC ICE, INC.

2110 So. 26th St., P.O. Box 1720, Manitowoc, WI 54221-1720 USA

Téléphone : 920-682-0161 • Fax : 920-683-7585

Site Web - www.manitowocice.com

Formulaire 80-0375-3 Rév. 01-02

Garantie limitée résidentielle de la machine à glaçons

CE QUE COUVRE LA PRÉSENTE GARANTIE LIMITÉE

Sous réserve des exclusions et limitations ci-dessous, Manitowoc Foodservice (« Manitowoc ») garantit au client d'origine toute nouvelle machine à glaçons fabriquée par Manitowoc (le « Produit ») contre tout défaut de matériau ou vice de fabrication pendant la période de garantie décrite ci-dessous dans des conditions normales d'utilisation et d'entretien, et suite à une installation et une mise en service correctes conformément au manuel d'instructions fourni avec le Produit.

PÉRIODE DE CETTE GARANTIE LIMITÉE

<u>Produit couvert</u>	<u>Période de garantie</u>
Machine à glaçons	Douze (12) mois à compter de la date de vente

PERSONNES COUVERTES PAR CETTE GARANTIE LIMITÉE

La présente garantie limitée s'applique uniquement au client d'origine du Produit et n'est pas transférable.

OBLIGATIONS DE MANITOWOC ICE DANS LE CADRE DE CETTE GARANTIE LIMITÉE

En cas de défaut et de réception par Manitowoc d'une déclaration de dommage valide avant l'expiration de la période de garantie, Manitowoc doit, sur sa décision : (1) réparer le Produit à ses frais, y compris les frais de main d'œuvre standard en heures normales, (2) remplacer le Produit par un nouveau produit ou un produit équivalent à l'original ou (3) rembourser le prix d'achat du Produit. Les pièces de rechange sont garanties pendant 90 jours ou pour le reste de la période de garantie d'origine, si elle est plus longue. Les éléments précédents constituent l'unique obligation de Manitowoc et le recours exclusif du client en cas de rupture de la présente garantie limitée. La responsabilité de Manitowoc dans le cadre de la présente garantie limitée se limite au prix d'achat du Produit. Toutes dépenses supplémentaires, y compris mais sans s'y limiter, le temps de déplacement pour service, les frais de main d'œuvre d'heures supplémentaires ou de majoration, l'accessibilité au Produit ou son retrait, ou l'expédition sont à la charge du client.

OBTENTION DE SERVICE DE GARANTIE

Pour obtenir un service de garantie ou toute information concernant le Produit, veuillez nous contacter :

MANITOWOC FOODSERVICE

2110 So. 26th St.

P.O. Box 1720,

Manitowoc, WI 54221-1720 USA

Téléphone : 920-682-0161 Fax : 920-683-7585

www.manitowocice.com

CE QUI N'EST PAS COUVERT

La présente garantie limitée ne couvre pas, et laisse à votre seule responsabilité, les frais de ce qui suit : (1) maintenance périodique ou de routine, (2) réparation ou remplacement du Produit ou des pièces suite à une usure normale, (3) défauts ou dommages du Produit ou des pièces du fait d'une mauvaise utilisation, d'une utilisation abusive, de négligences ou d'accidents, (4) défauts ou dommages du Produit ou des pièces du fait d'altérations, de modifications ou de changements incorrects ou non autorisés et (5) défauts ou dommages d'un Produit non installé et/ou maintenu conformément au manuel d'instructions ou aux spécifications techniques fournis par Manitowoc. Dans la mesure où ces exclusions de garantie dépendent des lois nationales, il est possible qu'elles ne vous concernent pas.

SAUF TEL QU'INDIQUÉ PAR LA PHRASE SUIVANTE, LA PRÉSENTE GARANTIE LIMITÉE REPRÉSENTE LA SEULE ET UNIQUE GARANTIE DE MANITOWOC CONCERNANT LE PRODUIT. TOUTES LES GARANTIES TACITES SONT STRICTEMENT LIMITÉES À LA DURÉE DE LA GARANTIE LIMITÉE S'APPLIQUANT AUX PRODUITS, COMME INDIQUÉ PRÉCÉDEMMENT, Y COMPRIS, SANS TOUTEFOIS S'Y LIMITER, TOUTE GARANTIE DE QUALITÉ MARCHANDE OU D'ADAPTATION À UN USAGE PARTICULIER.

Certains pays ne permettant pas de limitations sur la durée d'une garantie tacite, il est possible que la limitation ci-dessus ne vous concerne pas.

EN AUCUN CAS, MANITOWOC OU UNE DE SES FILIALES, NE PEUT ÊTRE TENUE POUR RESPONSABLE DU CLIENT OU DE TOUTE AUTRE PERSONNE EN CAS DE DOMMAGES ACCESSOIRES, CONSÉCUTIFS OU PARTICULIERS DE TOUTE NATURE (Y COMPRIS, MAIS SANS TOUTEFOIS S'Y LIMITER, UNE PERTE DE PROFITS, DE REVENUS OU COMMERCIALE) DÉCOULANT, OU LIÉS DE QUELQUE MANIÈRE QUE CE SOIT, AU PRODUIT, À UNE RUPTURE DE LA PRÉSENTE GARANTIE LIMITÉE, OU À TOUTE AUTRE CAUSE, QUELLE QU'ELLE SOIT, BASÉE SUR LE CONTRAT, SUR LA RESPONSABILITÉ CIVILE OU TOUTE AUTRE RESPONSABILITÉ.

Certaines juridictions ne permettant pas l'exclusion ou la limitation de dommages accessoires ou consécutifs, il est possible que cette limitation ou exclusion ci-dessus ne vous concerne pas.

APPLICATION DES LOIS NATIONALES

La présente garantie limitée vous offre des droits légaux spécifiques et il se peut que vous ayez d'autres droits qui varient d'une juridiction à une autre.

CARTE DE GARANTIE

Pour assurer un service de garantie prompt et permanent, cette carte de garantie doit être remplie et envoyée à Manitowoc dans les trente (30) jours suivant la date de vente. Remplir la carte de garantie suivante et l'envoyer à Manitowoc.



MANITOWOC FOODSERVICE – ICE MACHINE DIVISION
2110 SOUTH 26TH STREET, MANITOWOC, WI 54220

800-545-5720
WWW.MANITOWOCICE.COM

Every new piece of Manitowoc Foodservice equipment comes with KitchenCare™ and you choose the level of service that meets your operational needs from one restaurant to multiple locations.

StarCare – Warranty & lifetime service, certified OEM parts, global parts inventory, performance audited

ExtraCare — CareCode, 24/7 Support, online/mobile product information

LifeCare – Install & equipment orientation, planned maintenance, KitchenConnect™, MenuConnect

Talk with KitchenCare™ • 1-844-724-CARE • www.mtwkitchencare.com



To learn how Manitowoc Foodservice and its leading brands can equip you, visit our global web site at www.manitowocfoodservice.com, then discover the regional or local resources available to you.

