

Date: \_\_\_\_\_ For:  File  Resubmit  
 PO No.: \_\_\_\_\_  Approval  Other \_\_\_\_\_  
 Architect: \_\_\_\_\_ GC: \_\_\_\_\_  
 Engr: \_\_\_\_\_ Mech: \_\_\_\_\_  
 Rep: \_\_\_\_\_  
 (Company) \_\_\_\_\_ (Project Manager) \_\_\_\_\_

**LA090HYV3**  
**Art Cool™ Premier Single Zone Inverter**  
 Outdoor Unit (ODU) - LAU090HYV3 Indoor Unit (IDU) - LAN090HYV3



**Performance:**

**Cooling:**

Capacity (Min-Rated-Max, Btu/h)	1,023 ~ 9,000 ~ 13,000
SEER	27.5
EER	15.79

SEER - Seasonal Energy Efficiency Ratio EER - Energy Efficiency Ratio

**Heating:**

Capacity (Min-Rated-Max, Btu/h)	1,023 ~ 11,000 ~ 20,472
HSPF	13.5

HSPF - Heating Seasonal Performance Factor

Cooling Nominal Test Conditions: Indoor: 80°F DB/67°F WB Outdoor: 95°F DB/75°F WB  
 Heating Nominal Test Conditions: Indoor: 70°F DB/60°F WB Outdoor: 47°F DB/43°F WB

**Electrical:**

Power Supply (V/Hz/Ø)	208-230/60/1
-----------------------	--------------

**Outdoor Unit:**

MOP (A)	15
MCA (A)	11.2
Cooling Rated Amps (A)	8.7
Heating Rated Amps (A)	8.7
Compressor (A)	8.3
Fan Motor (A)	0.4

MOP - Maximum Overcurrent Protection MCA - Minimum Circuit Ampacity

**Total Power Input:**

Cooling Power Input (kW)	0.57
Heating Power Input (kW)	0.71

**Piping:**

Liquid Line (in, OD)	1/4
Vapor Line (in, OD)	3/8
Additional Refrigerant (oz/ft)	0.22
Min/Max Pipe Length (ft) <sup>2</sup> :	9.8 / 65.6
Piping Length (no add'l refrigerant, ft)	24.6
Max Elevation (ft)	39.4

**Features:**

- 24-Hour on/off timer
- 4-Way auto swing
- Auto changeover
- Auto restart
- Built-in low ambient operation to 14°F
- Chaos wind
- Condensate sensor connection
- Defrost control
- Dehumidifying mode
- Hot start
- Jet cool/Jet heat
- Self cleaning indoor coil
- Self diagnosis
- Washable filter
- Soft dry operation
- Built-in base pan heater
- Cooling only/heating only function
- Built-in Wi-Fi via Smart ThinQ app

**Optional Accessories (sold separately):**

- PI-485 - PMNFP14A1
- LG Programmable Thermostat - PREMTBVCO
- Dry Contact - PDRYCB100/300/400
- Low Ambient Wind Baffle (Cooling operation to 0°F) - ZLABGP03A

For a complete list of available accessories, contact your LG representative.  
 For continual product development, LG reserves the right to change specifications without notice.

**Operating Range:**

**Outdoor Unit:**

Cooling (°F DB)	14-118
Heating (°F WB)	-13-65

**Indoor Unit:**

Cooling (°F WB)	53-75
Heating (°F DB)	60-86

**Unit Data:**

Refrigerant Type	R410A
Refrigerant Control	EEV
Refrigerant Charge (lb)	2.54
ODU Sound Pressure (Max, Cool/Heat) ±1 dB(A) <sup>3</sup>	48/50
IDU Sound Pressure Cooling (H/M/L/Sleep) ±1 dB(A) <sup>3</sup>	42/36/26/22
IDU Sound Pressure Heating (H/M/L) ±1 dB(A) <sup>3</sup>	42/36/26
ODU Net Unit Weight (lbs)	93.9
ODU Shipping Weight (lbs)	103.2
IDU Net Unit Weight (lbs)	25.1
IDU Shipping Weight (lbs)	29.5
Heat Exchanger Coating	GoldFin™

**Fan:**

ODU Type	Propeller
IDU Type	Cross Flow
Fan Speeds (Fan/Cooling/Heating)	6/6/6
Quantity (ODU + IDU)	1 + 1
Motor/Drive	Brushless Digitally Controlled/Direct
ODU Max Air Flow Rate (CFM)	1730
IDU Air Flow Cooling, Max/H/M/L (CFM)	530 / 424 / 353 / 184
IDU Air Flow Heating, Max/H/M/L (CFM)	530 / 424 / 353 / 184
Dehumidification (pts/hr)	3.17

**Notes:**

1. Acceptable operating voltage: 187V - 253V.
2. Piping lengths are equivalent.
3. Sound Pressure levels are tested in an anechoic chamber under ISO Standard 1996.
4. All power/communication cable to be minimum 14 AWG, 4-conductor, stranded, shielded and must comply with applicable local and national code.
5. See Engineering Manual for sensible and latent capacities.
6. Power wiring cable size must comply with the applicable local and national code.
7. The indoor unit comes with a dry helium charge.
8. This data is rated 0 ft above sea level, with 24.6 ft of refrigerant line and a 0 ft level difference between outdoor and indoor units.
9. Must follow installation instructions in the applicable LG installation manual.

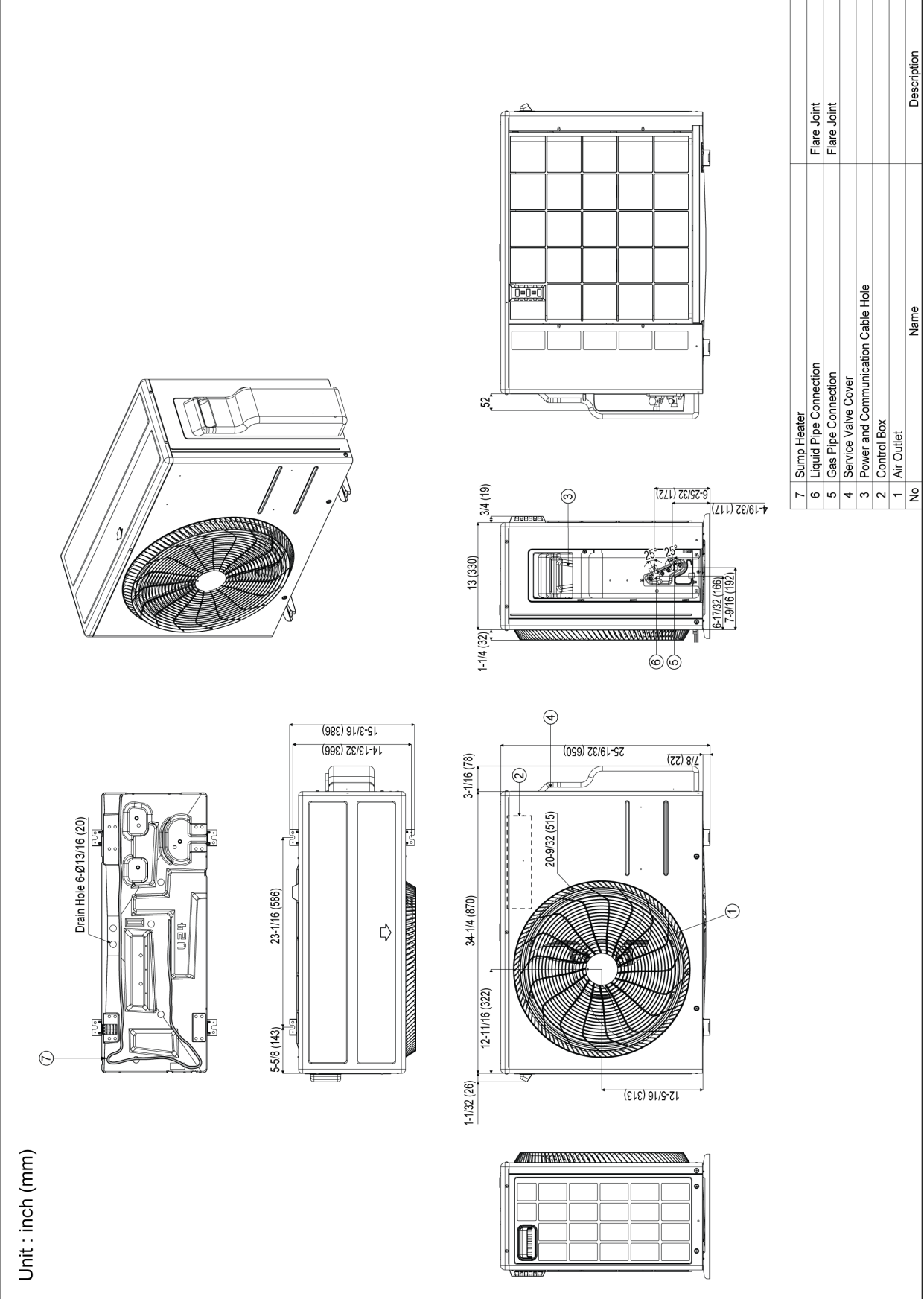


Job Name/Location:

**LA090HYV3**  
**Art Cool™ Premier Single Zone Inverter**  
 Outdoor Unit (ODU) - LAU090HYV3 Indoor Unit (IDU) - LAN090HYV3



Tag #: \_\_\_\_\_  
 Date: \_\_\_\_\_  
 PO No.: \_\_\_\_\_



For continual product development, LG reserves the right to change specifications without notice.

© LG Electronics U.S.A., Inc., Englewood Cliffs, NJ. All rights reserved. "LG Life's Good" is a registered trademark of LG Corp. /www.lghvac.com

**LA090HYV3**

**Art Cool™ Premier Single Zone Inverter**

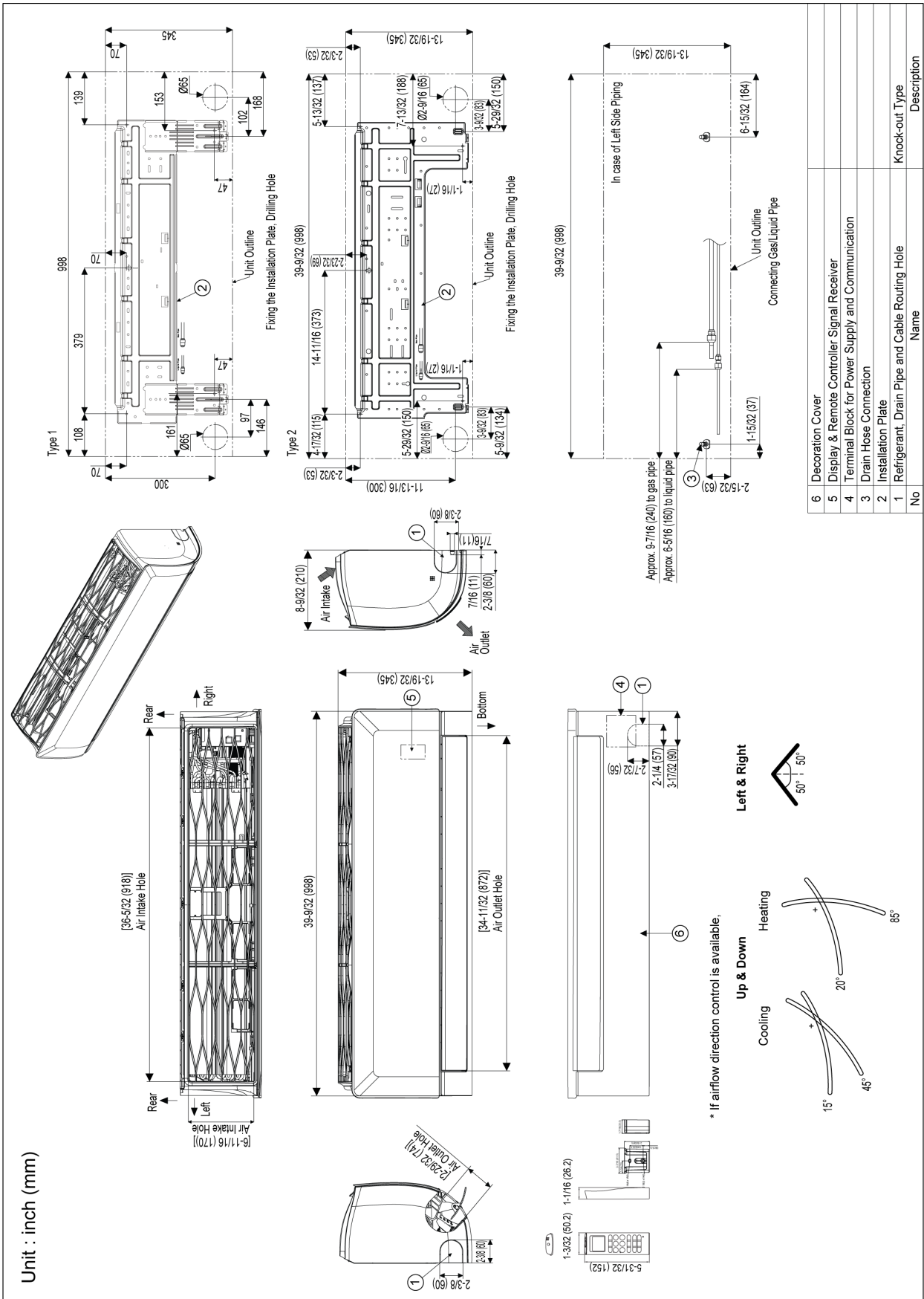
Outdoor Unit (ODU) - LAU090HYV3 Indoor Unit (IDU) - LAN090HYV3



Tag #:

Date:

PO No.:



No	Name	Knock-out Type	Description
6	Decoration Cover		
5	Display & Remote Controller Signal Receiver		
4	Terminal Block for Power Supply and Communication		
3	Drain Hose Connection		
2	Installation Plate		
1	Refrigerant, Drain Pipe and Cable Routing Hole		