

Job Name/Location:

Tag No:

Date:

| | | |
|------|----------|----------|
| For: | File | Resubmit |
| | Approval | Other |

PO No.:

Architect: GC:

Engr: Mech:

Rep: (Company) (Project Manager)



LMU363HV

Multi F Inverter Heat Pump Outdoor Unit

Performance:

| | |
|---|----------------------|
| Cooling Capacity (Min.-Rated-Max., Btu/h) | 8,400-32,800-38,400 |
| Heating Capacity (Min.-Rated-Max., Btu/h) | 10,080-36,000-41,600 |
| Max. Heating Capacity at 5°F (Btu/h) | 25,200 |
| Max. Heating Capacity at 0°F (Btu/h) | 22,750 |
| Max. Heating Capacity at -4°F (Btu/h) | 20,800 |
| EER2 | 12.5 |
| SEER2 | 21.5 |
| COP | 3.9 |
| HSPF2 | 9.0 |

Cooling Nominal Test Conditions:
 Indoor: 80°F DB / 67°F WB
 Outdoor: 95°F DB / 75°F WB

Heating Nominal Test Conditions:
 Indoor: 70°F DB / 60°F WB
 Outdoor: 47°F DB / 43°F WB

Operating Range:

| | |
|-----------------|-----------|
| Cooling (°F DB) | 14 to 118 |
| Heating (°F WB) | -4 to +64 |

Unit Data:

| | |
|--|---------------|
| Refrigerant Type | R410A |
| Refrigerant Control | EEV |
| Sound Pressure (Cool / Heat) ±1 dB(A) ³ | 51 / 54 |
| Net / Shipping Weight (lbs.) | 138.9 / 154.3 |
| Heat Exchanger Coating | Gold Fin™ |
| Minimum No. of Indoor Units | 2 |
| Maximum No. of Indoor Units | 4 |

Electrical:

| | |
|------------------------------------|-----------------|
| Power Supply (V/Hz/Ø) ¹ | 208-230V, 60, 1 |
| MOP (A) | 25 |
| MCA (A) | 18.4 |
| Recommended Fuse Size (A) | 25 |
| Cooling Rated Amps (A) | 15.03 |
| Heating Rated Amps (A) | 15.03 |
| Compressor (A) | 13.5 |
| Fan Motor (A) | 0.73 |
| Locked Rotor Amps (A) | 19.0 |

MOP - Maximum Overcurrent Protection

MCA - Minimum Circuit Ampacity

Compressor:

| | |
|------------|-------------|
| Type | Twin Rotary |
| Quantity | 1 |
| Oil / Type | FVC68D |

Fan:

| | |
|-------------------------|---------------------------------------|
| Type | Propeller |
| Quantity | 1 |
| Motor / Drive | Brushless Digitally Controlled/Direct |
| Max. Airflow Rate (CFM) | 2,119 |

Piping:

| | |
|---|------------|
| Refrigerant Charge (lbs.) | 6.17 |
| Liquid Line Connection (in., O.D.) | 1/4 x 4 |
| Vapor Line Connection (in., O.D.) | 3/8 x 4 |
| Maximum Total Piping ² (ft.) | 246.1 |
| Min. / Max. ODU to IDU Piping (ft.) | 9.8 / 82.0 |
| Piping Length (no add'l refrigerant, ft.) | 98.4 |
| Maximum Elevation between ODU and IDU (ft.) | 49.2 |
| Maximum Elevation between IDU and IDU (ft.) | 24.6 |

ODU = Outdoor Unit

IDU = Indoor Unit

Features:

- Auto operation
- Auto restart
- Inverter (variable speed compressor)
- Defrost / Deicing
- Restart delay (three [3] minutes)
- Self diagnosis
- Soft start
- Low ambient cooling down to 14°F

Optional Accessories:

- PI-485 - PMNFP14A1
- MultiSITE Comm. Mgr. - PBACNBTR0A
- AC Smart 5 - PACS5A000
- ACP 5 - PACP5A000
- Power Distribution Indicator (PDI) Premium - PQNUD1S41
- Mobile LGMV - PLGMVW100
- Drain Pan Heater - PQSH1200
- Low Ambient Baffle Kit (Cooling operation to -4°F) - ZLABGP04A



162279



For a complete list of available accessories, contact your LG representative.

For continual product development, LG reserves the right to change specifications without notice.

© LG Electronics U.S.A., Inc., Englewood Cliffs, NJ. All rights reserved. "LG Life's Good" is a registered trademark of LG Corp. /www.lghvac.com

SB_MultiF_LMU363HV_2022_07_18_084716

Job Name/Location: _____

LMU363HV

Multi F Inverter Heat Pump Outdoor Unit



Tag No.: _____

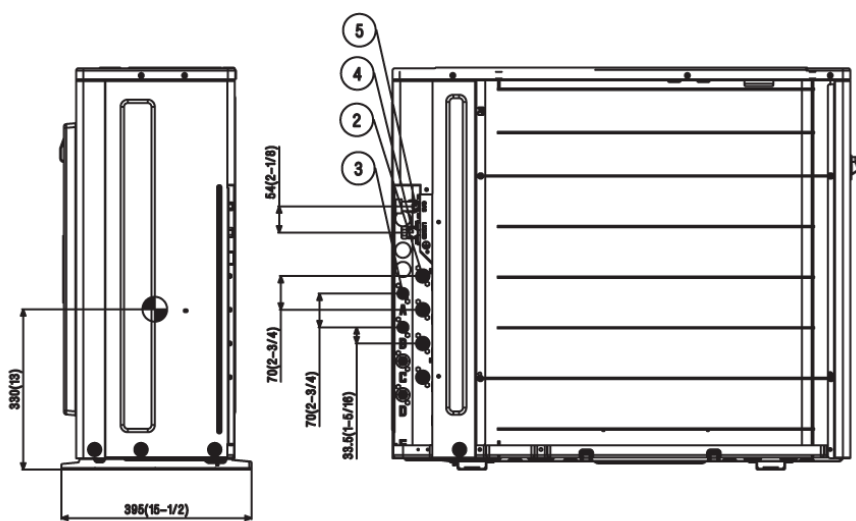
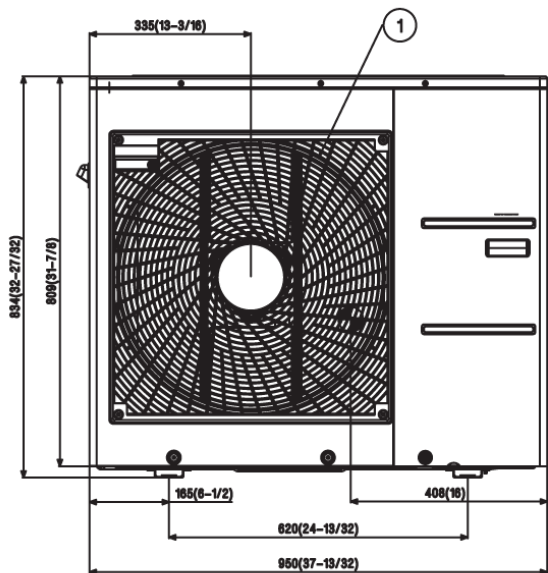
Date: _____

PO No.: _____



[Unit : mm(inch)]

☉ Gravity point



Notes:

1. Unit must be installed in compliance with the installation manual.
2. Unit must be grounded in accordance with the local or state regulations and applicable national codes.
3. All field-supplied electrical components and materials must comply with local, state, and national codes.
4. Electrical characteristics must be considered for electrical work and design. The capacity of power cable and circuit breaker for the outdoor unit must follow local, state, national, and manufacturer requirements.

| No. | Part Name |
|-----|-----------------------------|
| 1 | Air discharge grille |
| 2 | Vapor pipe connection |
| 3 | Liquid pipe connection |
| 4 | Main service valve (Liquid) |
| 5 | Main service valve (Vapor) |

Job Name/Location:

Tag #:

Date:

| | | |
|------|----------|------------|
| For: | File | Resubmit |
| | Approval | Other_____ |

PO No.:

Architect: GC:

Engr: Mech:

Rep:

(Company)

(Project Manager)



LCN098HV4

Multi F Ceiling Cassette Indoor Unit
9,000 Btu/h



Performance:

| | |
|----------------------------------|--------|
| Nominal Cooling Capacity (Btu/h) | 9,000 |
| Nominal Heating Capacity (Btu/h) | 10,400 |

Cooling Nominal Test Conditions:

Indoor: 80°F DB / 67°F WB
Outdoor: 95°F DB / 75°F WB

Heating Nominal Test Conditions:

Indoor: 70°F DB / 60°F WB
Outdoor: 47°F DB / 43°F WB

Electrical:

| | |
|-----------------------|--------------|
| Power Supply (V/Hz/Ø) | 208-230/60/1 |
| Rated Amps (A) | 0.25 |

Piping:

| | |
|-----------------------------------|------------|
| Installed Liquid Pipe (in., O.D.) | Ø1/4 |
| Installed Vapor Pipe (in., O.D.) | Ø3/8 |
| Liquid Connection (in., O.D.) | Ø1/4 |
| Vapor Connection (in., O.D.) | Ø3/8 |
| Drain (in., O.D. / I.D.) | 1-1/4, 1 |
| Temperature Sensor | Thermistor |

Controls Features:

- Two thermistor control
- 24-Hour on / off timer
- Auto operation
- Auto restart
- Chaos swing
- Control lock function
- Drain pump
- Group control
- Inverter (variable speed fan)
- Jet cool
- Compatible with accessory Wi-Fi module
- Compatible with applicable Single Zone Outdoor Units (see single zone literature for matching system details)

Included Accessories:

- Wireless Remote Controller — AKB73757604

Required Accessories:

- Grille Kit (27-9/16" x 27-9/16") - PT-UQC, or
- Grille Kit (24-7/16" x 24-7/16") - PT-QCHW0

Optional Accessories:

- MultiSITE™ CRC1 Controller - PREMTBVC0
- MultiSITE™ CRC1+ Controller - PREMTBVC1
- Simple Remote Controller - PREMTC00U
- Premium Remote Controller - PREMTA000
- AC Smart Premium - PQCSW421E0A
- ACP Premium - PQPC22A1
- ACP Standard - PQPC22N1
- LonWorks® Gateway* - PQNFB16A1
- BACnet® Gateway* - PQNFB17C1
- Remote Temperature Button Sensor - ZRTBS01
- Simple Dry Contact (1 contact, 24 VAC external power) - PDRYCB100
- Dry Contact for Third Party Thermostat - PDRYCB300
- Dry Contact for Economizer - PDRYCB400
- Plasma Filter Kit - PTPKQ0
- Auxiliary Heater Kit - PRARH1
- Wi-Fi Module - PWFMD200

*BACnet® is a registered trademark of ASHRAE. LonWorks® is a registered trademark of Echelon Corporation.

For a complete list of available accessories, contact your LG representative.

For continual product development, LG reserves the right to change specifications without notice.

© LG Electronics U.S.A., Inc., Englewood Cliffs, NJ. All rights reserved. "LG Life's Good" is a registered trademark of LG Corp. /www.lghvac.com

Entering Mixed Air:

| | |
|-----------------|---------|
| Cooling (°F DB) | 57 ~ 77 |
| Heating (°F WB) | 59 ~ 81 |

Unit Data:

| | |
|---|---------------------|
| Refrigerant Type | R410A |
| Refrigerant Control | EEV |
| Sound Pressure (H/M/L) dB(A) ² | 36 / 33 / 30 |
| Primary Filter ³ | Washable Pre-filter |
| Net Weight (lbs.) | 29 |
| Shipping Weight (lbs.) | 34 |
| Grille Net Weight (lbs.) | 7 |
| Grille Shipping Weight (lbs.) | 9 |

Fan:

| | |
|----------------------|---------------------------------------|
| Type | Turbo |
| Quantity | 1 |
| Motor/Drive | Brushless Digitally Controlled/Direct |
| Air Flow H/M/L (CFM) | 300 / 265 / 230 |

Notes:

1. Acceptable operating voltage: 187V-253V.
2. Sound Pressure levels are tested in an anechoic chamber under ISO Standard 3745.
3. Removable Washable Filter size: 14" x 14" x 1".
4. See Engineering Manual for sensible and latent capacities.
5. All communication / connection (power) cable from the outdoor unit to the indoor unit is field supplied and must be a minimum of four-conductor, 18 AWG, stranded, shielded or unshielded (if shielded, it must be grounded to the chassis of the outdoor unit only), and must comply with applicable local and national codes.
6. Power wiring cable size must comply with the applicable local and national code.
7. The indoor unit comes with a dry helium charge.
8. Corresponding refrigerant piping length is in accordance with standard length of each outdoor unit and the level difference is 0 ft. All capacities are net with a combination ratio between 95 - 105%.
9. Must follow installation instructions in the applicable LG installation manual.



Job Name/Location: _____

LCN098HV4

Multi F Ceiling Cassette Indoor Unit

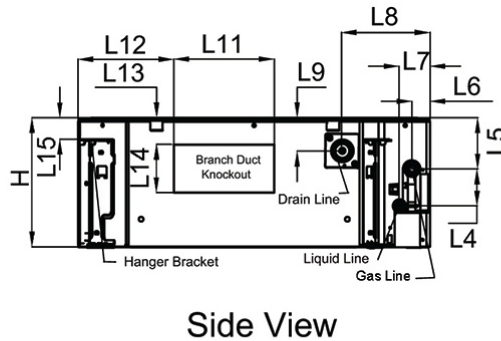
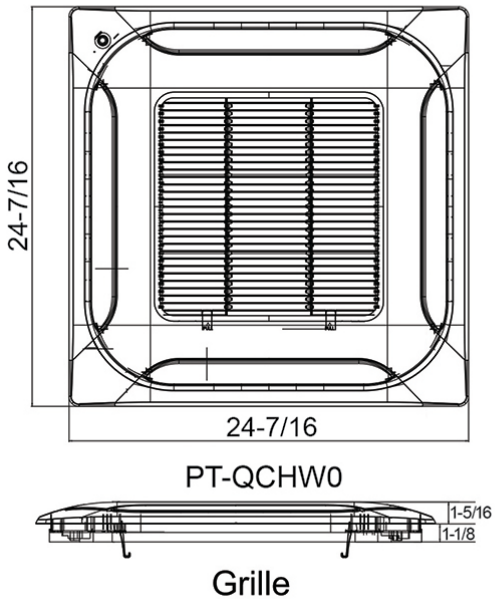
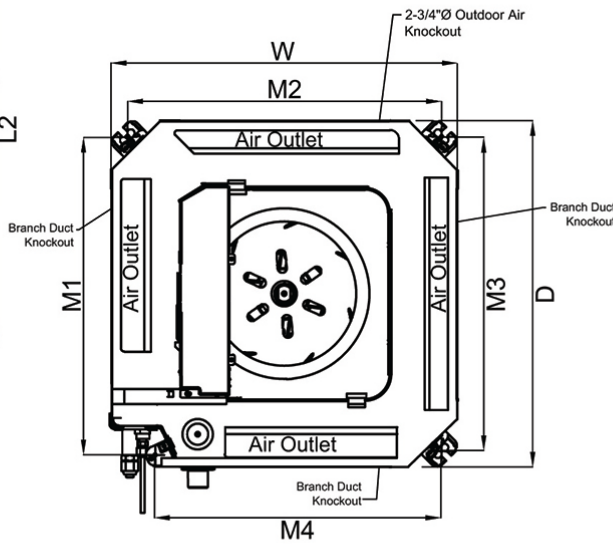
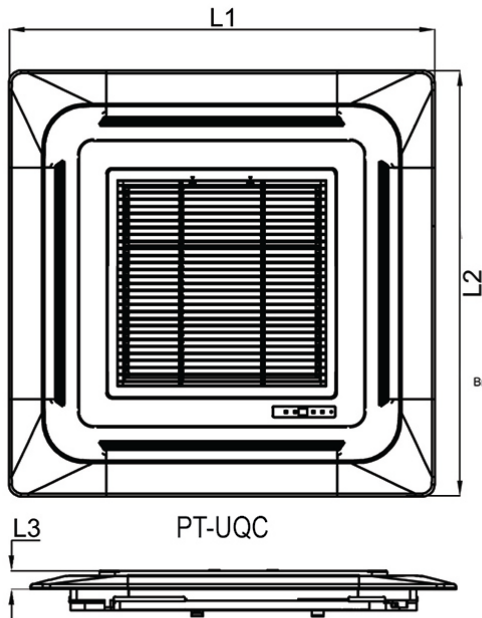
9,000 Btu/h



Tag No.: _____

Date: _____

PO No.: _____



| | |
|-----|-----------|
| W | 22-7/16" |
| H | 8-7/16" |
| D | 22-7/16" |
| L1 | 27-9/16" |
| L2 | 27-9/16" |
| L3 | 7/8" |
| L4 | 2-13/32" |
| L5 | 3-7/8" |
| L6 | 1-3/16" |
| L7 | 1-15/16" |
| L8 | 5-5/8" |
| L9 | 1-1/32" |
| L10 | 1-11/32" |
| L11 | 6-1/2" |
| L12 | 5-13/16" |
| L13 | 3-3/16" |
| L14 | 3-1/8" |
| L15 | 1-11/32" |
| M1 | 20-19/32" |
| M2 | 20-3/8" |
| M3 | 20-3/8" |
| M4 | 18-5/32" |

Job Name/Location:

Tag #:

Date:

| | | |
|------|----------|------------|
| For: | File | Resubmit |
| | Approval | Other_____ |

PO No.:



Architect: GC:

Engr: Mech:

Rep:

(Company)

(Project Manager)

LCN128HV4

Multi F Ceiling Cassette Indoor Unit
12,000 Btu/h



Performance:

| | |
|----------------------------------|--------|
| Nominal Cooling Capacity (Btu/h) | 12,000 |
| Nominal Heating Capacity (Btu/h) | 13,800 |

Cooling Nominal Test Conditions:

Indoor: 80°F DB / 67°F WB
Outdoor: 95°F DB / 75°F WB

Heating Nominal Test Conditions:

Indoor: 70°F DB / 60°F WB
Outdoor: 47°F DB / 43°F WB

Electrical:

| | |
|-----------------------|--------------|
| Power Supply (V/Hz/Ø) | 208-230/60/1 |
| Rated Amps (A) | 0.25 |

Piping:

| | |
|-----------------------------------|------------|
| Installed Liquid Pipe (in., O.D.) | Ø1/4 |
| Installed Vapor Pipe (in., O.D.) | Ø3/8 |
| Liquid Connection (in., O.D.) | Ø1/4 |
| Vapor Connection (in., O.D.) | Ø3/8 |
| Drain (in., O.D. / I.D.) | 1-1/4, 1 |
| Temperature Sensor | Thermistor |

Controls Features:

- Two thermistor control
- 24-Hour on / off timer
- Auto operation
- Auto restart
- Chaos swing
- Control lock function
- Drain pump
- Group control
- Inverter (variable speed fan)
- Jet cool
- Compatible with accessory Wi-Fi module
- Compatible with applicable Single Zone Outdoor Units (see single zone literature for matching system details)

Included Accessories:

- Wireless Remote Controller — AKB73757604

Required Accessories:

- Grille Kit (27-9/16" x 27-9/16") - PT-UQC, or
- Grille Kit (24-7/16" x 24-7/16") - PT-QCHW0

Optional Accessories:

- MultiSITE™ CRC1 Controller - PREMTBVC0
- MultiSITE™ CRC1+ Controller - PREMTBVC1
- Simple Remote Controller - PREMTC00U
- Premium Remote Controller - PREMTA000
- AC Smart Premium - PQCSW421E0A
- ACP Premium - PQCP22A1
- ACP Standard - PQCP22N1
- LonWorks® Gateway* - PQNFB16A1
- BACnet® Gateway* - PQNFB17C1
- Remote Temperature Button Sensor - ZRTBS01
- Simple Dry Contact (1 contact, 24 VAC external power) - PDRYCB100
- Dry Contact for Third Party Thermostat - PDRYCB300
- Dry Contact for Economizer - PDRYCB400
- Plasma Filter Kit - PTPKQ0
- Auxiliary Heater Kit - PRARH1
- Wi-Fi Module - PWFMD200

*BACnet® is a registered trademark of ASHRAE. LonWorks® is a registered trademark of Echelon Corporation.

For a complete list of available accessories, contact your LG representative.

For continual product development, LG reserves the right to change specifications without notice.

© LG Electronics U.S.A., Inc., Englewood Cliffs, NJ. All rights reserved. "LG Life's Good" is a registered trademark of LG Corp. /www.lghvac.com

Entering Mixed Air:

| | |
|-----------------|---------|
| Cooling (°F DB) | 57 ~ 77 |
| Heating (°F WB) | 59 ~ 81 |

Unit Data:

| | |
|---|---------------------|
| Refrigerant Type | R410A |
| Refrigerant Control | EEV |
| Sound Pressure (H/M/L) dB(A) ² | 38 / 35 / 32 |
| Primary Filter ³ | Washable Pre-filter |
| Net Weight (lbs.) | 29 |
| Shipping Weight (lbs.) | 34 |
| Grille Net Weight (lbs.) | 7 |
| Grille Shipping Weight (lbs.) | 9 |

Fan:

| | |
|----------------------|---------------------------------------|
| Type | Turbo |
| Quantity | 1 |
| Motor/Drive | Brushless Digitally Controlled/Direct |
| Air Flow H/M/L (CFM) | 335 / 283 / 247 |

Notes:

1. Acceptable operating voltage: 187V-253V.
2. Sound Pressure levels are tested in an anechoic chamber under ISO Standard 3745.
3. Removable Washable Filter size: 14" x 14" x 1".
4. See Engineering Manual for sensible and latent capacities.
5. All communication / connection (power) cable from the outdoor unit to the indoor unit is field supplied and must be a minimum of four-conductor, 18 AWG, stranded, shielded or unshielded (if shielded, it must be grounded to the chassis of the outdoor unit only), and must comply with applicable local and national codes.
6. Power wiring cable size must comply with the applicable local and national code.
7. The indoor unit comes with a dry helium charge.
8. Corresponding refrigerant piping length is in accordance with standard length of each outdoor unit and the level difference is 0 ft. All capacities are net with a combination ratio between 95 - 105%.
9. Must follow installation instructions in the applicable LG installation manual.



LCN128HV4

Multi F Ceiling Cassette Indoor Unit

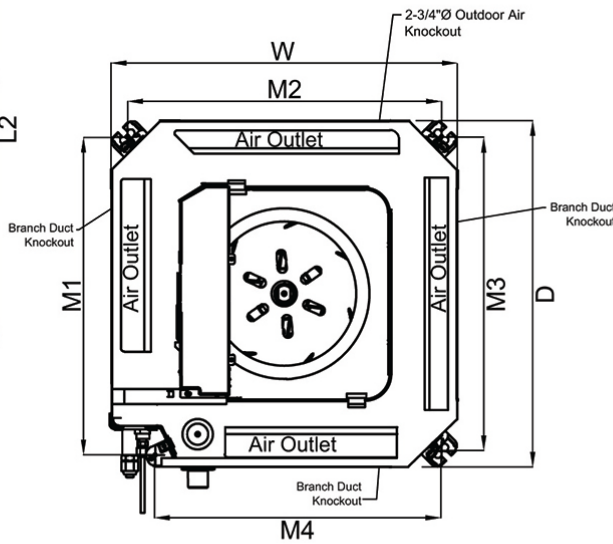
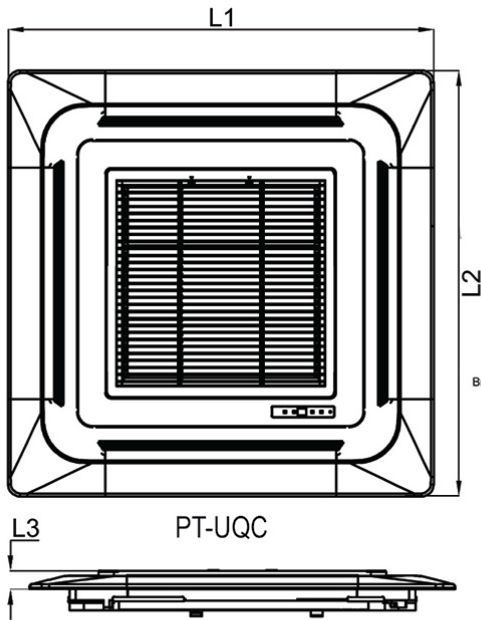
12,000 Btu/h



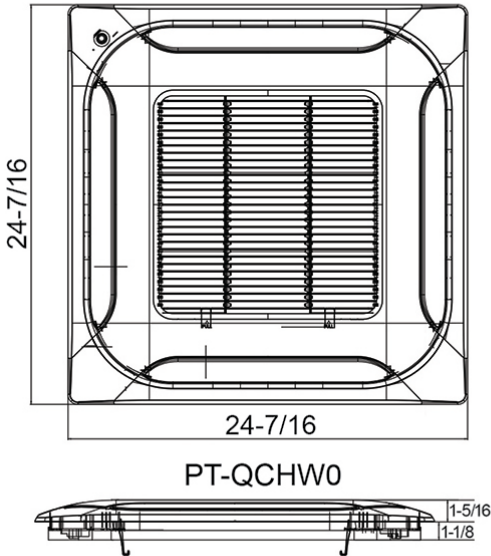
Tag No.: _____

Date: _____

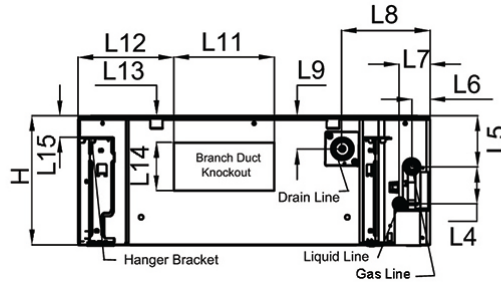
PO No.: _____



Bottom View



Grille



Side View

| | |
|-----|-----------|
| W | 22-7/16" |
| H | 8-7/16" |
| D | 22-7/16" |
| L1 | 27-9/16" |
| L2 | 27-9/16" |
| L3 | 7/8" |
| L4 | 2-13/32" |
| L5 | 3-7/8" |
| L6 | 1-3/16" |
| L7 | 1-15/16" |
| L8 | 5-5/8" |
| L9 | 1-1/32" |
| L10 | 1-11/32" |
| L11 | 6-1/2" |
| L12 | 5-13/16" |
| L13 | 3-3/16" |
| L14 | 3-1/8" |
| L15 | 1-11/32" |
| M1 | 20-19/32" |
| M2 | 20-3/8" |
| M3 | 20-3/8" |
| M4 | 18-5/32" |