



MultiSITE CRC1 Series Controllers INSTALLATION MANUAL



PREMTBVC0 – MultiSITE CRC1

PREMTBVC1 – MultiSITE CRC1+

PROPRIETARY DATA NOTICE

This document, as well as all reports, illustrations, data, information, and other materials are the property of LG Electronics U.S.A., Inc., and are disclosed by LG Electronics U.S.A., Inc., only in confidence.

Do not throw away, destroy, or lose this manual.

Please read carefully and store in a safe place for future reference.
Content familiarity required for proper installation and operation.

The instructions included in this manual must be followed to prevent product malfunction, property damage, injury, or death to the user or other people. Incorrect operation due to ignoring any instructions will cause harm or damage. A summary of safety precautions begins on page 4.

For more technical materials such as submittals, engineering databooks, and catalogs, visit www.lghvac.com.

IM_CRC1_Series_Controllers_5_17

For continual product development, LG Electronics U.S.A., Inc., reserves the right to change specifications without notice.

©LG Electronics U.S.A., Inc.

This document, as well as all reports, illustrations, data, information, and other materials are the property of LG Electronics U.S.A., Inc.





TABLE OF CONTENTS

| | |
|--|----|
| Safety Instructions | 4 |
| Introduction | 7 |
| Controller Overview | 8 |
| <i>Home Screen</i> | 8 |
| Controller Installation | 9 |
| <i>Selecting Installation Location</i> | 9 |
| <i>Installing the Controller</i> | 11 |
| Controller Setup | 14 |
| <i>Controller Setup</i> | 14 |
| <i>Setpoint Adjustment</i> | 15 |
| Accessories Installation | 17 |
| <i>ZigBee Pro Wireless Module</i> | 17 |
| <i>Ceiling Motion Sensor</i> | 19 |
| <i>Wall Mounted Motion Sensor</i> | 22 |
| <i>Door/Window Sensor</i> | 25 |
| ZigBee Setup | 29 |
| <i>ZigBee Pro Quick Setup</i> | 29 |
| BACnet MS/TP Setup | 31 |
| <i>BACnet MS/TP Quick Setup</i> | 31 |
| Specifications | 32 |
| <i>PREMTBVC0 and PREMTBVC1</i> | 32 |



SAFETY INSTRUCTIONS

The instructions below must be followed to prevent product malfunction, property damage, injury or death to the user or other people. Incorrect operation due to ignoring any instructions will cause harm or damage. The level of seriousness is classified by the symbols below.


TABLE OF SYMBOLS

| | |
|--|--|
|  DANGER | <i>This symbol indicates an imminently hazardous situation which, if not avoided, will result in death or serious injury.</i> |
|  WARNING | <i>This symbol indicates a potentially hazardous situation which, if not avoided, could result in death or serious injury.</i> |
|  CAUTION | <i>This symbol indicates a potentially hazardous situation which, if not avoided, may result in minor or moderate injury.</i> |
| Note: | <i>This symbol indicates situations that may result in equipment or property damage accidents only.</i> |
|  | <i>This symbol indicates an action that should not be performed.</i> |

DANGER

-  **Risk of electric shock. Disconnect all power before servicing.**
-  **Do not touch any exposed wiring, terminals, or other electrical components with tools or exposed skin. Only qualified technicians should install, use or remove this unit.**

Improper installation or use may result in fire, explosion, electric shock, physical injury and/or death.

-  **Don't use or store flammable gas or combustibles near an outdoor or indoor unit.**

There is risk of fire, explosion, and physical injury or death.

WARNING

The information in this manual is intended for use by a trained technician familiar with the U.S. National Electric Code (NEC) who is equipped with the proper tools and test instruments.

Failure to carefully read and follow all instructions in this manual may result in equipment malfunction, property damage, personal injury and/or death.

SAFETY INSTRUCTIONS

⊘ Do not install the MultiSITE Controller unit if it will be exposed to rain or other precipitation.

⊘ Do not install the unit in a location exposed to open flame or extreme heat.

⊘ Do not touch the unit with wet hands.

There is risk of fire, electric shock, physical injury and/or death.

Replace all control box and panel covers.

If cover panels are not installed securely, dust, water and animals may enter the unit, causing fire, electric shock, and physical injury or death.

Wear protective gloves when handling equipment.

Sharp edges may cause personal injury.

Dispose of any packing materials safely.

- *Packing materials, such as nails and other metal or wooden parts may cause puncture wounds or other injuries.*
- *Tear apart and throw away plastic packaging bags so that children may not play with them and risk suffocation and death.*

⊘ Do not change the settings of the protection devices.

If the pressure switch, thermal switch, or other protection device is shorted and forced to operate improperly, or parts other than those specified by LG are used, there is risk of fire, electric shock, explosion, and physical injury or death.

If the air conditioner is installed in a small space, take measures to prevent the refrigerant concentration from exceeding safety limits in the event of a refrigerant leak.

Consult the latest edition of ASHRAE (American Society of Heating, Refrigerating, and Air Conditioning Engineers) Standard 15. If the refrigerant leaks and safety limits are exceeded, it could result in personal injuries or death from oxygen depletion.

Note:

MultiSITE Controller is for use with select LG commercial air conditioning systems only.

⊘ Do not attempt to use MultiSITE Controller with any other type of system. Refer to the compatible equipment list in this manual.

There is risk of equipment damage or degraded performance

⊘ Do not cut, lengthen or shorten the cable between the MultiSITE Controller unit and the indoor unit.

⊘ Do not install the MultiSITE Controller unit in a location where the cable cannot be safely and easily connected between the two units.

⊘ Do not allow strain on this cable.

There is risk of equipment damage.



SAFETY INSTRUCTIONS

Note:

Clean up the site after all procedures are finished, and check that no metal scraps, screws, or bits of wiring have been left inside or surrounding the controller or indoor units.

Provide power to the outdoor unit compressor crankcase heaters at least six (6) hours before operation begins.

Starting operation with a cold compressor sump(s) may result in severe bearing damage to the compressor(s). Keep the power switch on during the operational season.

⊘ **Do not block the indoor unit inlet or outlet.**

Unit may malfunction.

Securely attach the electrical cover to the indoor unit. Non-secured covers can result in fire due to dust or water in the service panel.

⊘ **Do not allow water, dirt, or animals to enter the unit.**

There is risk of unit failure or degraded performance.

⊘ **Do not spill water or other liquid on the inside of the indoor unit, especially on electrical components.**

⊘ **Do not drop the MultiSITE Controller unit into water. If the unit is immersed in water or other liquid, contact your local authorized LG distributor for support.**

There is risk of unit failure or degraded performance.

Electronic controls are static sensitive devices.

Discharge yourself correctly before manipulating and installing the MultiSITE Controller.

This device must be installed to provide a separation distance of at least 8 inches from all persons and must not be located or operating in conjunction with any other antenna or transmitter.

Operation is subject to the following two conditions: (1) this device may not cause interference, and (2) this device must accept any interference, including interference that may cause undesired operation of the device.

A short circuit or wrong wiring may permanently damage Remote Controller or equipment.

MultiSITE CRC1 Series Controllers

This manual describes how to install the LG MultiSITE Commercial Remote Controllers (CRC) 1 and the accessories described below. There are two controller models:

- MultiSITE CRC1 (Model PREMTBVC0)
- MultiSITE CRC1+ (Model PREMTBVC1)

The two models are identical with the exception of two functions included in the MultiSITE CRC1+ only:

- Motion sensor
- Humidity sensor

Typical MultiSITE CRC1 Controller



Compatible Equipment

MultiSITE CRC1 Controllers are compatible with LG Commercial Air Conditioning indoor units (except PTAC units).

⊘ Do not attempt to use a MultiSITE CRC1 controller with any other equipment.

Accessories

These accessories are available for MultiSITE CRC1 controllers:

- ZigBee® Pro wireless card
Model ZVRCZPWC1
- Door and window switch
Model ZVRCZDWS1
- Wall mounted occupancy sensor
Model ZVRCZWOC1
- Ceiling mounted occupancy sensor
Model ZVRCZCOC1

The ZigBee® Pro wireless card is required for communication between the controller and the other accessories.

MultiSITE CRC1 Controller
Optional Accessories



ZigBee® Pro Wireless Card



Door/Window Switch



Wall Mounted
Occupancy Sensor



Ceiling Mounted
Occupancy Sensor

Safety

Safety of personnel is the primary concern during all procedures. Read and understand the safety summary at the front of this manual.

**ZigBee is a registered trademark of the ZigBee Alliance.*

Due to our policy of continuous product innovation, some specifications may change without notification.
©LG Electronics U.S.A., Inc., Englewood Cliffs, NJ. All rights reserved. "LG" is a registered trademark of LG Corp.

CONTROLLER OVERVIEW

Home Screen

The controller home screen is shown and described below.

MultiSITE CRC 1 Controller

Current Date

Occupancy Status

Occupied (Occ) or
Unoccupied (Unocc)

**Room Indoor
Temperature**

**Room Indoor
Humidity**

On/Off

Turn the display
on or off

Operation Mode

Set Cool, Heat, Auto
Cool, Auto Heat, Fan,
Dry modes



Note: Pressing and holding
the Operation Mode icon
takes the user to the
Operation Mode page.

**Short Network
Message**

Note:

Available functions/features may differ based on the connected system.

When any change is made to a parameter, the value is automatically saved in memory when the next parameter is selected or another page is opened.

Arrows auto-increment/decrement at higher speed when holding button for more than 2.5 seconds.



Current Time

**Current Fan
Speed Setting**

**Operation Mode
Status**

Up Arrow

Raise Temperature
Setpoint

Down Arrow

Lower Tempera-
ture Setpoint

More

Provides user with
access to less often
used functions.

Fan Speed

Set fan to Slow,
Low, Low-Med,
Medium, Med-High,
High, Power, Auto.
(Available options
depend on IDU
model.)



Note: Long-press of the
Fan Speed button when in
cooling mode triggers Power
Cooling mode. If in Power
Cooling mode, last airflow
segment on top is lit in purple
and the text changes from
"Fan" to "Power Cool." This
mode lasts for 30 minutes
and then reverts back to the
previous fan speed.

CONTROLLER INSTALLATION

Selecting Installation Location

The room temperature sensor is inside the controller, so the installation location is critical to proper system operation. Install the controller in a location away from direct sunlight, high humidity, and direct flow of hot or cold air. Install the controller on a flat, clean wall surface approximately 5 ft above the floor in an area with good circulation and average temperature.

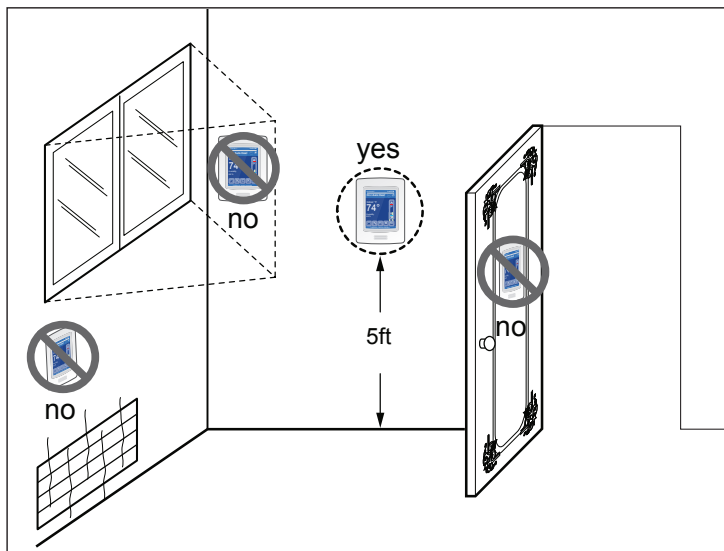
The PREMTBVC1 controller contains a

⊘ Do not install the controller where it is exposed to:

- Drafts or dead spots behind doors and in corners
- Hot or cold air from ducts
- Radiant heat from sun or appliances
- Concealed pipes or chimneys
- Uncontrolled areas such as on an outside wall

Refer to Figure 1 for a typical installation location.

Figure 1: Typical Controller Location

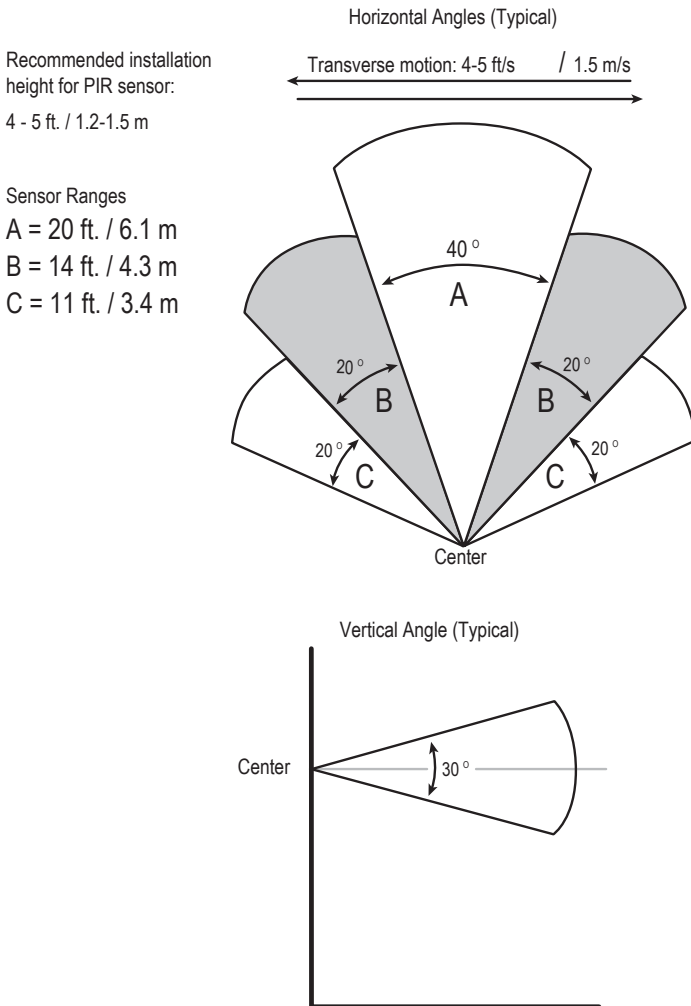


CONTROLLER INSTALLATION

Selecting Installation Location – continued

The PREMTBVC1 contains a passive infrared (PIR) sensor. Refer to Figure 2 for PIR sensor information to consider when selecting the PREMTBVC1 installation location.

Figure 2: Motion (PIR) Sensor Installation



CONTROLLER INSTALLATION

Installing the Controller

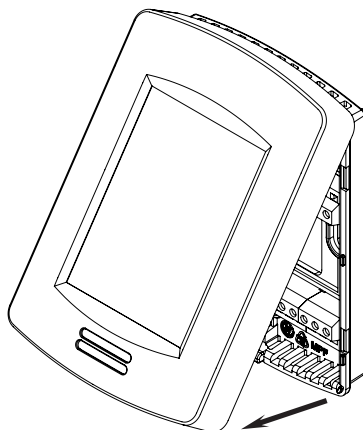
Follow this procedure to install the controller.

Note:

- If replacing an existing MultiSITE CRC1 Series Remote Controller, label the wires before removal.
- Electronic controls are static sensitive devices. Discharge yourself properly before manipulating and installing the Remote Controller.
- A short circuit or wrong wiring may permanently damage the Remote Controller or the equipment.
- This Remote Controller must be installed to provide a separation distance of at least 8 inches from all persons and must not be collocated or operating in conjunction with any other antenna or transmitter.
- If your installation includes wireless accessories, you can install the optional ZigBee Pro wireless module when the controller case is open. Refer to page 17 for ZigBee Pro wireless module installation instructions.
- Maximum cable length is 164ft. Do not splice wiring.
- Cable Type: 3 conductor, 22 AWG, unshielded, twisted, and stranded.
- If the indoor unit does not have screw terminals for field wiring, Extension Cable PZCWR1 is required. The green Molex connector of this cable connects to the IDU. The white Molex connector of this cable is removed and the wires connected to the Remote Controller as described below.

1. Remove security screw (if any) on bottom of Remote Controller cover (Figure 3).
2. Read FCC ID and IC label installed in cover before installing any wireless product.
3. Ensure correct side of base faces up.
4. Pull cable 6 inches out from wall.
5. Align base and mark location of two mounting holes on wall (Figure 4).
6. Install anchors in wall.
7. Insert communication cable through center opening of base.

Figure 3: Open Cover



CONTROLLER INSTALLATION

Installing the Controller – continued

8. Insert screws in mounting holes on each side of base.
9. If using field-provided communication cable, strip each wire 1/4 inch from end.
10. If using Extension Cable PZCWRC1, carefully cut off the white Molex connector and strip each wire 1/4 inch from end.

Figure 4: Install Base

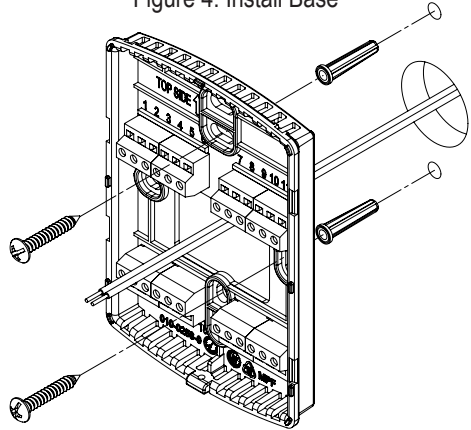
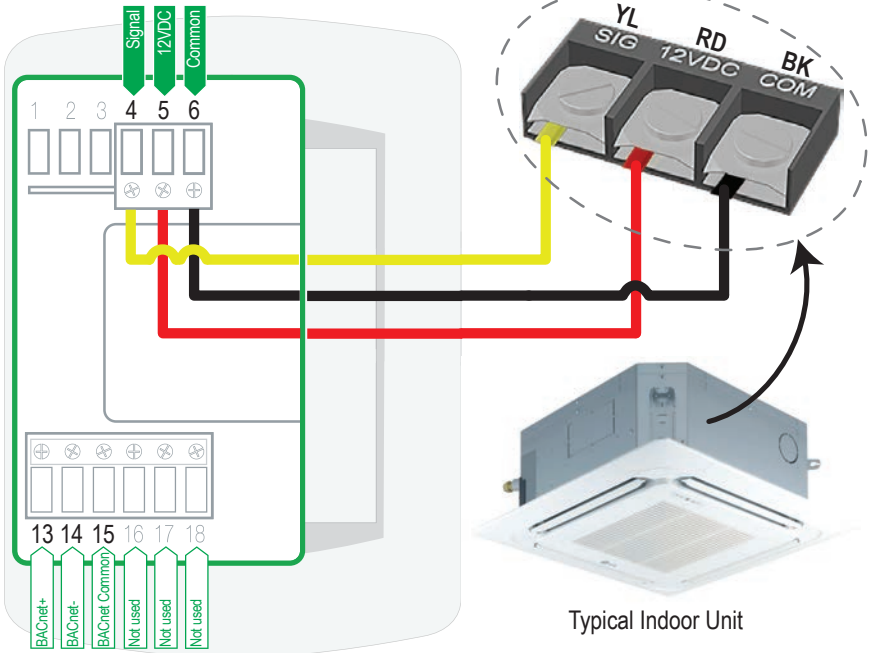


Figure 5: Controller Wiring



CONTROLLER INSTALLATION

Installing the Controller – continued

11. Insert each wire in terminal block according to wiring diagram (Figure 5).
Table 1 lists the function of all terminal connections.
12. Carefully push excess cable back into hole.
13. Gently align cover to top of base and snap in place from bottom (Figure 6).
14. Install security screw.

Figure 6: Reinstall Cover

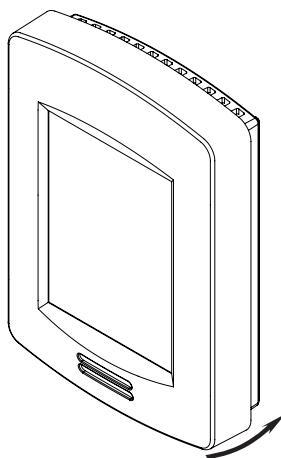


Table 1: Controller Terminal Functions

| Terminal | Function |
|--------------------|----------------------------|
| Terminal 1 | Not used |
| Terminal 2 | Not used |
| Terminal 3 | Not used |
| Terminal 4 | Signal Wire |
| Terminal 5 | 12VDC |
| Terminal 6 | Common |
| Terminal 13 | BACnet + |
| Terminal 14 | BACnet - |
| Terminal 15 | BACnet MS/TP Common |
| Terminal 16 | Not used |
| Terminal 17 | Not used |
| Terminal 18 | Not used |

CONTROLLER SETUP

Controller Setup

This section contains a brief overview of MultiSITE controller operation. Refer to the MultiSITE CRC Series User Manual for more information.

Figure 7: Controller Setup



Touch and hold this point for 3 seconds to enter setup mode

If a configuration / installer password is activated to prevent unauthorized access to the configuration menu parameters, a password entry prompt will appear to prevent access to the device configuration components.

MultiSITE CRC 1 Controller

Setpoint Adjustment

Setpoints can be modified in three different ways when in Auto Mode: Cooling Setpoint change, Heating Setpoint change or Cooling/Heating Setpoint change.

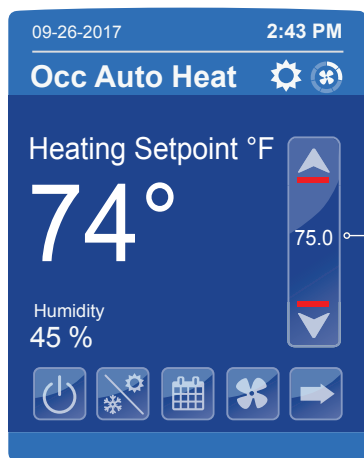


Cooling mode or cooling only sequence of operation

In Cooling mode, the setpoint displayed in the bar is the current occupied cooling setpoint.

During occupied setpoint adjustment, the large digits are temporarily used to display the occupied cooling setpoint while it is adjusted.

Normal temperature display resumes after the setpoint is adjusted and the actual occupied cooling setpoint is displayed in the setpoint bar.



Heating mode or heating only sequence of operation

In Heating mode, the setpoint displayed in the bar is the current occupied heating setpoint.

During occupied setpoint adjustment, the large digits are temporarily used to display the occupied heating setpoint.

Normal temperature display resumes after the setpoint is adjusted and the actual occupied heating setpoint is displayed in the setpoint bar.

CONTROLLER SETUP

Setpoint Adjustment – continued

MultiSITE CRC 1 Controller



Automatic Heating / Cooling mode

In automatic mode, the setpoint displayed at the top of the set point bar located directly under the blue line represent the actual occupied cooling setpoint.

During occupied setpoints adjustment, the large digits are temporarily used to display the occupied “Cooling Setpoint” or occupied “Heating Setpoint.” The actual setpoint is dependent on the last effective demand (heating or cooling).

Normal temperature display resumes after the setpoints are adjusted and the actual occupied heating and cooling setpoints are displayed in the setpoint bar.

ACCESSORIES INSTALLATION

ZigBee Pro Wireless Module

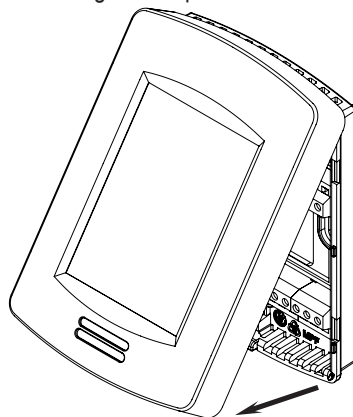
Follow this procedure to install the optional ZigBee Pro wireless module (model ZVR-CZPWC1). This wireless module is required for the controller to communicate with the optional wireless sensors.

1. Remove security screw (if any) on bottom of Remote Controller cover.
2. Open unit by pulling on bottom side of Remote Controller (Figure 9).
3. Carefully remove Remote Controller's Motherboard from casing and turn over.
4. Locate gap in upper-right corner of Remote Controller's motherboard and locate holes to insert ZigBee Pro module to motherboard (Figure 10).
5. Align connector pins on ZigBee Pro module with holes on motherboard. Ensure alignment of pins is correct so as to not damage ZigBee Pro module.

Figure 8: ZigBee Pro Wireless Module



Figure 9: Open Cover



*ZigBee is a registered trademark of the ZigBee Alliance.



Due to our policy of continuous product innovation, some specifications may change without notification.
©LG Electronics U.S.A., Inc., Englewood Cliffs, NJ. All rights reserved. "LG" is a registered trademark of LG Corp.

ACCESSORIES INSTALLATION

6. Gently press the ZigBee Pro module into the Remote Controller's motherboard until it fits snugly in place.

⊘ Do not press too hard to avoid damage to ZigBee Pro module.

7. Carefully replace Remote Controller's motherboard into casing.

8. Carefully align cover to top of base and snap in place from bottom (Figure 11).

9. Install security screw.

Figure 10: Install ZigBee Pro Wireless Module

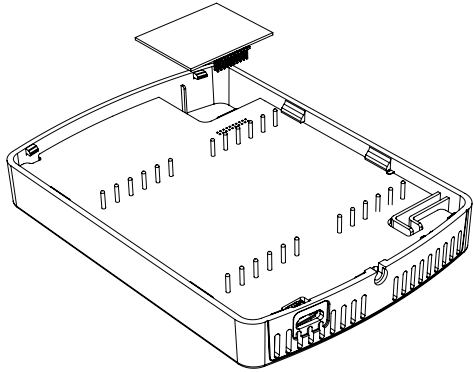
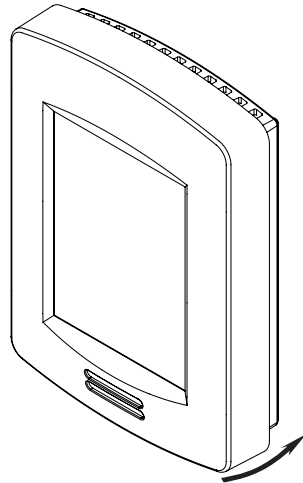


Figure 11: Reinstall Cover







ACCESSORIES INSTALLATION

Ceiling Motion Sensor

Follow this procedure to install the optional wireless ceiling motion sensor.

Figure 12: Ceiling Motion Sensor

Consider the following location constraints before installing a ceiling mounted sensor:

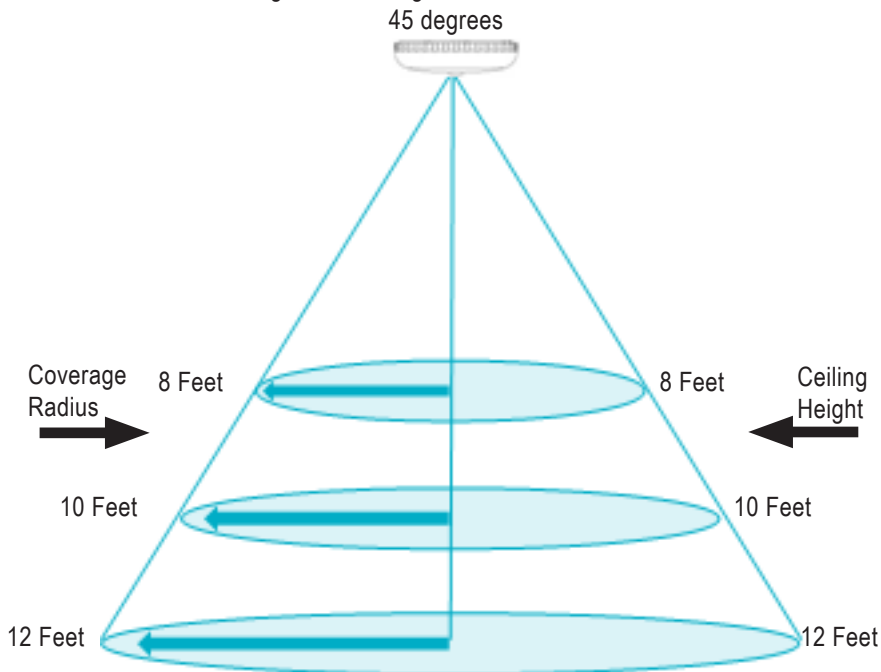
-  Do not install on a metal surface.
-  Do not install in areas with a direct heat source.
-  Do not install near any air discharge grill.
-  Do not install in areas exposed to direct sunlight.
- Ensure ceiling surface is flat and clean.
- Install in a dry location away from water, moisture, or rain.



Sensor Placement

Figure 13 shows suggested placement guidelines to optimize detection zones.

Figure 13: Ceiling Sensor Detection Zones



Due to our policy of continuous product innovation, some specifications may change without notification.
©LG Electronics U.S.A., Inc., Englewood Cliffs, NJ. All rights reserved. "LG" is a registered trademark of LG Corp.

ACCESSORIES INSTALLATION

Installation Sequence

Complete the following steps (in this order) to correctly install the ceiling mounted motion sensor:

- Install batteries.
- Pair sensor with MultiSITE Controller.
- Verify sensing motion.
- Install sensor to ceiling surface.

Install Batteries

1. Remove mounting plate by rotating housing counter-clockwise (Figure 14).
2. Install two AAA batteries in Sensor Housing (Figure 15). Ensure battery polarity is correct. When batteries are first installed, the sensor automatically goes into pairing mode. Refer to “ZigBee Setup” on page 29.
3. Replace mounting plate by rotating housing clockwise.
4. Proceed to Verify Sensing Motion.

Verify Sensing Motion

1. Wait three minutes for sensor to warm up. Sensor requires a three minute warm-up before it reporting any motion detection.
2. Wave hand or object over top area of sensor.
3. Verify LED flashes red on sensor (Figure 16). LED flashing red indicates motion detected.
4. Proceed to Install Ceiling Motion Sensor.

Figure 14: Remove Mounting Plate

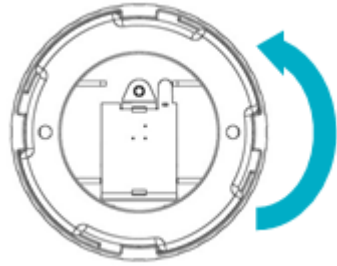


Figure 15: Install Batteries

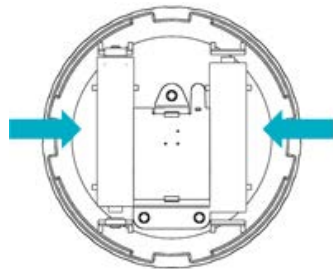
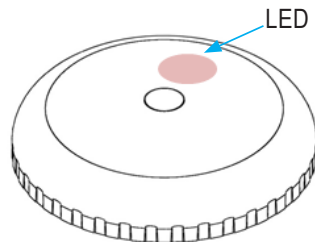


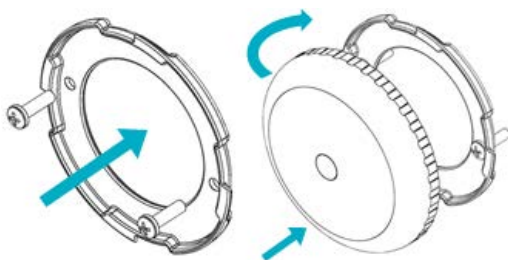
Figure 16: Flashing LED



Install Ceiling Motion Sensor

1. Consider sensor placement conditions before installing sensor. Refer to “Sensor Placement” on page 19.
2. Secure mounting plate to overhead surface with two screws (Figure 17). Ensure screws are tight and mounting plate does not move easily.
⊘ Do not torque screws.
3. Set sensor housing assembly on mounting plate (Figure 17).
4. Rotate sensor housing assembly clockwise until it locks in place. Ensure sensor housing assembly fits snugly to mounting plate.
5. Test the ceiling motion sensor again according to “Verify Sensing Motion” on page 20.

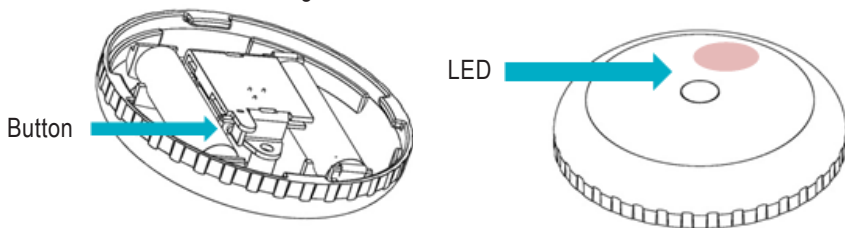
Figure 17: Installing Sensor on Ceiling



Sensor Functions

Figure 18 shows the location of the function button on the sensor module. Refer to “Table 2: Function Button and LED Indicators” on page 30 for information on using this button and the LED indicator to set up sensor module operation.

Figure 18: Function Button and LED



Test Sensor with Controller

Refer to “ZigBee Pro Quick Setup” on page 29 for information on how to test sensor operation.

ACCESSORIES INSTALLATION

Wall Mounted Motion Sensor

Follow this procedure to install the optional wireless wall mounted motion sensor.

Consider the following location constraints before installing a ceiling mounted sensor:

- Do not install on a metal surface.
- Do not install in areas with a direct heat source.
- Do not install near any air discharge grill.
- Do not install in areas exposed to direct sunlight.
- Ensure wall surface is flat and clean.
- Install in a dry location away from water, moisture, or rain.

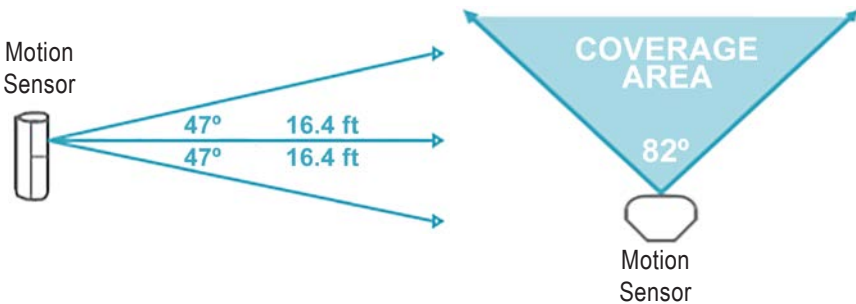
Sensor Placement

Figure 20 shows suggested placement guidelines to optimize detection zones.

Figure 19: Wall Mounted Motion Sensor



Figure 20: Wall Mounted Motion Sensor Coverage Area



ACCESSORIES INSTALLATION

Installation Sequence

Complete the following steps (in this order) to correctly install the ceiling mounted motion sensor:

- Install battery.
- Pair sensor with MultiSITE Controller.
- Remove plastic pull tab.
- Verify sensing motion.
- Install sensor to ceiling surface.

Install Battery

1. Use a flathead screwdriver to carefully pry cover away from motion sensor (Figure 21).
2. Install one CR2 battery in Sensor Housing (Figure 22). Ensure battery polarity is correct. When battery is first installed, the sensor automatically goes into pairing mode. Refer to “ZigBee Setup” on page 29.
3. Replace cover on motion sensor.
4. Proceed to Verify Sensing Motion.

Verify Sensing Motion

1. Wait three minutes for sensor to warm up. Sensor requires a three minute warm-up before it reporting any motion detection.
2. Wave hand or object in front of sensor.
3. Verify LED flashes red on sensor (Figure 16). LED flashing red indicates motion detected.
4. Proceed to Install Wall Mounted Motion Sensor.

Figure 21: Remove Sensor Cover



Figure 22: Install Battery

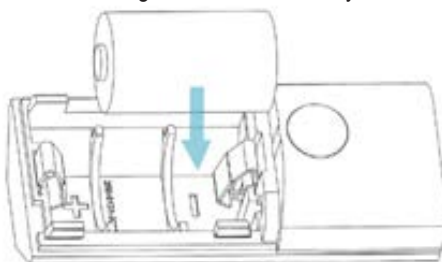
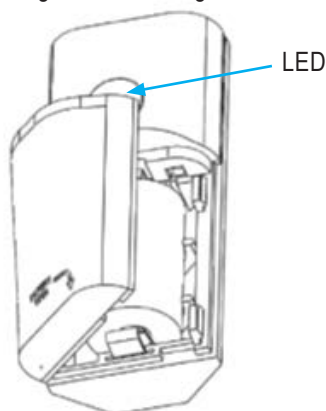


Figure 23: Flashing LED



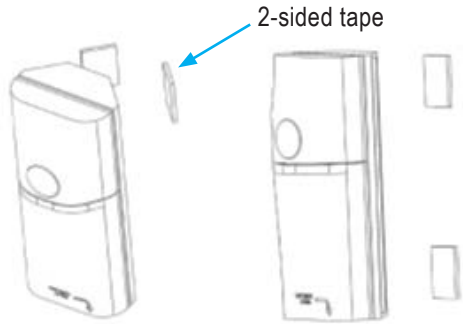
ACCESSORIES INSTALLATION

Install Wall Mounted Motion Sensor

Install the motion sensor to the desired location. The motion sensor can be installed vertically, horizontally, or upside down on a flat surface or in a corner.

1. Consider sensor placement conditions before installing sensor. Refer to “Sensor Placement” on page 22.
2. Affix two-sided tape to desired installation location (Figure 24).
3. Position motion sensor on two-sided tape and press firmly to secure in place.
4. Test the wall mounted motion sensor again according to “Verify Sensing Motion” on page 23

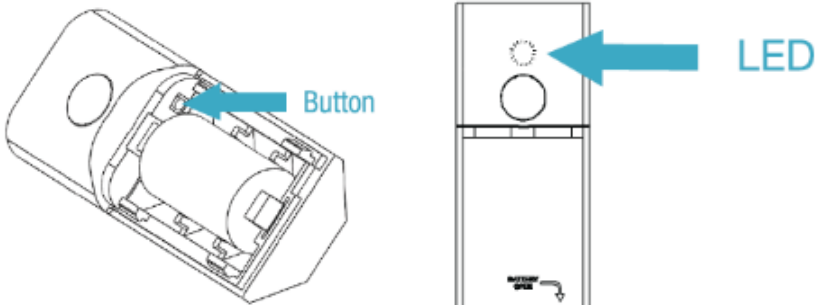
Figure 24: Wall Mounted Motion Sensor Installation



Sensor Functions

Figure 25 shows the location of the function button on the sensor module. Refer to “Table 2: Function Button and LED Indicators” on page 30 for information on using this button and the LED indicator to set up sensor module operation.

Figure 25: Function Button and LED



Test Sensor with Controller

Refer to “ZigBee Pro Quick Setup” on page 29 for information on how to test sensor operation.

ACCESSORIES INSTALLATION

Door/Window Sensor

Follow this procedure to install the optional door/window sensor.

Consider the following location constraints before installing a door/window sensor:

- Do not install on a metal surface.
- Do not install in areas with a direct heat source.
- Do not install near any air discharge grill.
- Do not install in areas exposed to direct sunlight.
- Ensure mounting surface is flat and clean.
- Install in a dry location away from water, moisture, or rain.

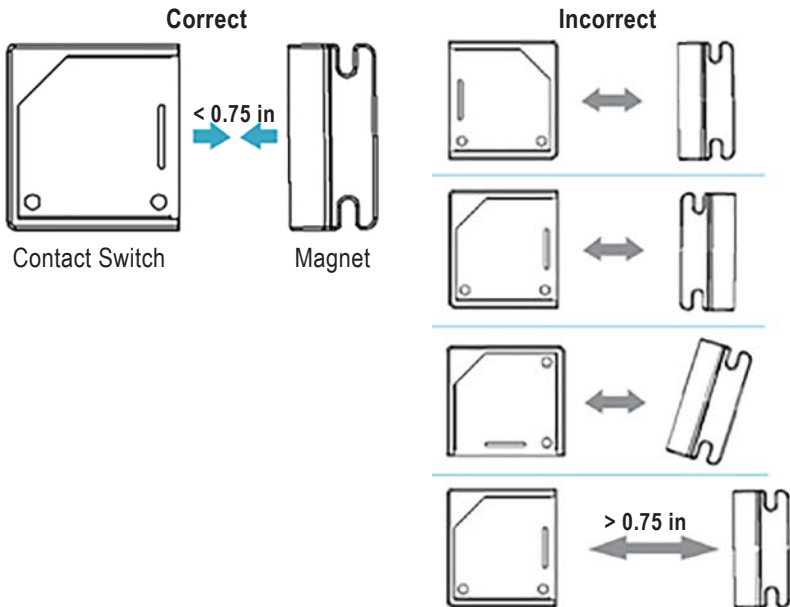
Figure 26: Door/Window Sensor



Sensor Placement

Figure 27 shows suggested placement guidelines to optimize sensor operation. Ensure contact switch and magnet face each other as shown in Figure 27. The contact switch and magnet can be a maximum of 0.75 in apart. If aligned properly, you will hear a 'click' when they approach.

Figure 27: Door/Window Sensor Placement



ACCESSORIES INSTALLATION

Installation Sequence

Complete the following steps (in this order) to correctly install the door/window sensor:

- Install batteries.
- Pair sensor with MultiSITE Controller.
- Remove plastic pull tab.
- Install sensor housing.
- Install magnet.
- Install sensor.

Install Battery

1. Pull tab and slide open housing of door/window sensor to access battery (Figure 28).
2. Install one CR2032 battery in the housing (Figure 29). Ensure battery polarity is correct. When battery is first installed, the sensor automatically goes into pairing mode. Refer to “ZigBee Setup” on page 29.
3. If replacing an old battery, use a plastic tool to carefully pry battery out of compartment.
⊘ Do not use a metal tool; it may cause a short circuit or cause damage to the sensor.
4. Replace housing cover.

Figure 28: Open Housing

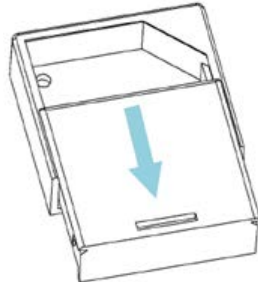
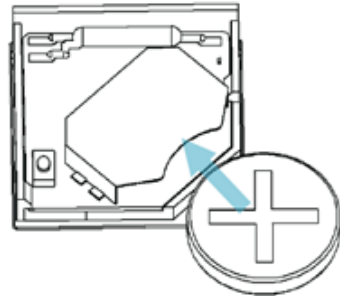


Figure 29: Install Battery



Install Sensor Housing

Use either screws or two sided tape to install the sensor housing. The sensor housing and the magnet must align properly. The sensor and magnet must be within 0.75 inches of each other. Be sure to install the parts in the correct orientation.

To install with tape:

1. Affix 2-sided tape to desired location (Figure 30). Ensure tape is flush with

ACCESSORIES INSTALLATION

surface and securely affixed to surface.

2. Position sensor housing on two sided tape and press firmly to secure in place.
3. Ensure the sensor is paired. If necessary, refer to “ZigBee Pro Quick Setup” on page 29.
4. Slide the sensor into the housing.

To install with screws:

1. Secure the sensor housing to the desired location with two screws (Figure 31). Ensure screws are tight and sensor does not move easily.
⊘ Do not torque screws.
2. Ensure the sensor is paired. If necessary, refer to “ZigBee Pro Quick Setup” on page 29.
3. Slide the sensor into the housing.

Install Magnet

Use either screws or two sided tape to install the magnet. The sensor housing and the magnet must align properly. The sensor and magnet must be within 0.75 inches of each other. Be sure to install the parts in the correct orientation.

If installing with tape, the magnet’s screw tab can be removed by snapping the tab along the scored line (Figure 32). To install with tape:

1. Refer to Figure 27 for relative positioning of sensor and magnet.
2. Affix 2-sided tape to desired location. Ensure tape is flush with surface and securely affixed to surface.
3. Position the magnet on the two sided tape and press firmly to secure in place.

To install with screws:

1. Refer to Figure 27 for relative positioning of sensor and magnet.
2. Secure the magnet to the desired location with two screws. Ensure screws are tight and magnet does not move easily.
⊘ Do not torque screws.

Figure 30: Install Sensor with Tape

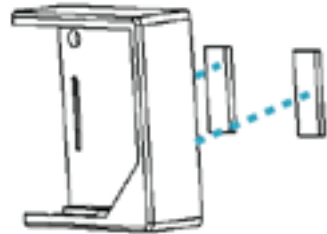
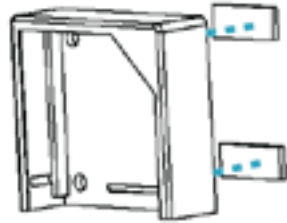
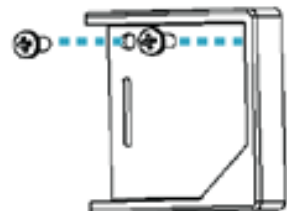
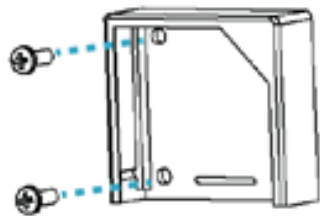


Figure 31: Install Sensor with Screws



ACCESSORIES INSTALLATION

Sensor Functions

Figure 33 shows the location of the function button on the sensor module. Refer to “Table 2: Function Button and LED Indicators” on page 30 for information on using this button and the LED indicator to set up sensor module operation.

Figure 32: Remove Screw Tab if Desired

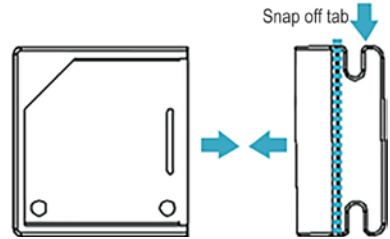
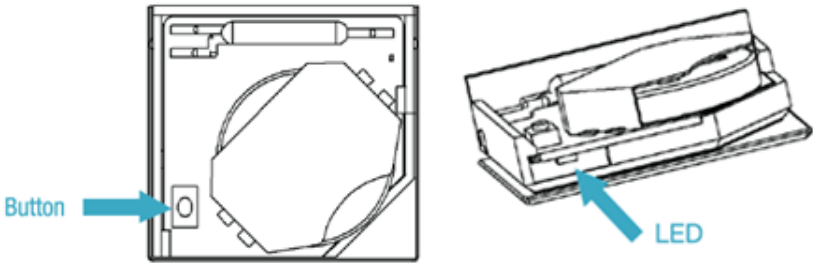


Figure 33: Function Button and LED



Test Sensor with Controller

Refer to “ZigBee Pro Quick Setup” on page 29 for information on how to test sensor operation.

ZigBee Pro Quick Setup

This quick set-up describes how to pair a ZigBee sensor with a Remote Controller. Please see ZigBee Configuration section of the MultiSITE CRC1 User Interface Guide if this is the first time a sensor is being paired with the remote controller for proper configuration of the ZigBee Wireless network.


















1. Go to first Zone screen in Wireless Ecosystem section of MultiSITE CRC1 Series Remote Controller's interface and set "Permit join" to On. Permit join is only available on the first Zone Screen but is applicable to all Zones.
2. Insert battery or remove pull tab (for contact sensors) to activate ZigBee sensor. If sensor does not join ZigBee wireless network press the button located on the sensor ten (10) times to reinitialize joining process.
3. Verify sensor has joined network and Paired field status reads Yes on Zone screen.
4. Use the "Set function to" control in the Zone Screen to select sensor type (Motion, Window or Door).
5. Set Permit Join on MultiSITE CRC1 Series Remote Controller to Off when pairing process is complete.

Troubleshooting

MultiSITE CRC1 Series Remote Controller User Interface Guide is available at www.lghvac.com.

ZIGBEE SETUP

Table 2: Function Button and LED Indicators

| BUTTON | LED | ACTION | LED | DESCRIPTION |
|------------------------------------|--|--------------------------------------|--|-------------|
| 2 times |  GG | Network Status |  GGG Joined | |
| | | |  RRR Not Joined | |
| | | |  YYY Re-Join in Process | |
| 4 Times |  GGGG | Network Join |  YRY Searching for Network | |
| | | |  YGY Device Being Configured | |
| | | |  GGG Device Joined | |
| | | |  RRR Device Failed to Join | |
| 8 Times |  GGGGGGGG | Forced Re-Join |  YYY Re-Join, Searching for Parent | |
| 10 Times |  GGGGGGGGGG | Network leave and join a new Network |  RRR Leave if Joined | |
| | | |  GGGGG Defaults Restored | |
| G = Green Y = Yellow R = Red | | No Action |  Y Wrong Button Press | |
| | | |  YGR Device Busy | |
| | | Power Up |  R R Y Y G G | |

BACnet MS/TP Quick Setup

This quick set-up describes how to set-up the BACnet* MS/TP with a Remote Controller. Please see BACnet MS/TP Configuration section of the MultiSITE CRC1 User Interface Guide for complete instructions of the configuration of the BACnet MS/TP network.

1. Touch and hold top of the screen for 3 seconds to enter Configuration settings as illustrated in Figure 7 on page 14.
2. Navigate to the “BMS Config” --> “BACnet settings” menu of the “Configuration” page.
3. Change the “COM Address.” Valid COM address range is 0-253. Note: COM address defaults to 254 which disables BACnet MS/TP.
4. Select “Network Units” (Imperial or Metric)
5. Select appropriate BAUD Rate. Note: “Auto” is the default setting and will auto detect baud rate of connected device.
6. Select BACnet Instance Number or use default BACnet Instance. Note: BACnet Instance number defaults to 8300 and the COM address. Example if the COM address is 57 the BACnet Instance number will be “83057.”
7. Ensure BACnet status reads Online.

**BACnet is a registered trademark of ASHRAE.*



Due to our policy of continuous product innovation, some specifications may change without notification.
©LG Electronics U.S.A., Inc., Englewood Cliffs, NJ. All rights reserved. “LG” is a registered trademark of LG Corp.

SPECIFICATIONS

PREMTBVC0 and PREMTBVC1

Dimensions

- Height: 4.72 in
- Width: 3.39 in
- Depth: 1.06 in

Power Requirements

- 12 VDC, 2.34W, supplied by IDU

Operating Conditions

- 32 °F - 122 °F
- 0% - 95% R.H. non-condensing

Storage Conditions

- -22 °F - 122 °F
- 0% - 95% R.H. non-condensing

Temperature Sensor

- Local 10 K NTC type 2 thermistor

Temperature Sensor Resolution

- ± 0.2 °F

Temperature Control Accuracy

- ± 0.9 °F @ 70 °F, typical calibrated

Humidity Sensor and Calibration

- Single point calibrated bulk polymer type sensor

Humidity Sensor Precision

- Reading range from 10-90 % R.H. non-condensing,
10 to 20% precision: 10%
20% to 80% precision: 5%
80% to 90% precision: 10%

Humidity Sensor Stability

- Less than 1.0 % yearly (typical drift)

Dehumidification Setpoint Range

- 30% - 95% R.H.

Occ, Stand-By and Unocc Cooling Dual Setpoint Range

- 52 - 99 °F

Occ, Stand-By and Unocc Heating Setpoint Range

- 40 °F - 90 °F

Room Temperature Display Range

- 33 °F - 103 °F

Deadband (2 set point) for Room Temperature control

- Cooling & Heating: Default: 5°F

Wire Gauge

- 22 gauge or larger

Approximate Shipping Weight

- 0.75 lb

Safety Standards All Models

- LVD Directive 2006/95/EC
- EN 60950-1:2006/A2:2013
- UL 873 CSA C22.2 No.24-93

EMC Standards All Models

- EMC Directive 2004/108/EC
- IEC 61326-1:2005
- FCC 15 Subpart B
- ICES-003

Radio Standards (Wireless Models)

- R&TTE Directive 1999/5/EC
- IEC 61326-1:2005
- EN 301 489-1 V1.9.2
- EN 301 328 V1.8.1
- FCC 15 Subpart C
- RSS 210

THIS DEVICE COMPLIES WITH PART 15 OF THE FCC RULES. OPERATION IS SUBJECT TO THE FOLLOWING TWO CONDITIONS: (1) THIS DEVICE MAY NOT CAUSE HARMFUL INTERFERENCE, AND (2) THIS DEVICE MUST ACCEPT ANY INTERFERENCE RECEIVED, INCLUDING INTERFERENCE THAT MAY CAUSE UNDESIRE OPERATION.



Check with your local government for instruction on disposal of these products.

FCC Notice

This equipment has been tested and found to comply with the limits for a Class A digital device, pursuant to part 15 of the FCC Rules. These limits are designed to provide reasonable protection against harmful interference when the equipment is operated in a commercial environment. This equipment generates, uses, and can radiate radio frequency energy and, if not installed and used in accordance with the instruction manual, may cause harmful interference to radio communications. Operation of this equipment in a residential area is likely to cause harmful interference in which case the user will be required to correct the interference at his own expense.

This device complies with part 15 of the FCC Rules. Operation is subject to the following two conditions:

1. This device may not cause harmful interference and
2. This device must accept any interference received, including interference that may cause undesired operation of the device. Any changes or modifications in construction of this device which are not expressly approved by the party responsible for compliance could void the user's authority to operate the equipment.

Industry Canada Statement

Innovation, Science and Economic Development Canada ICES-003

Compliance Label:

CAN ICES-3 (A) / NBM-3 (A)

Innovation, science et développement économique Canada

ICES-003 Label de conformité :

CAN ICES-3 (A) / NBM-3 (A)

LG Customer Information Center, Commercial Products

1-888-865-3026 USA

Follow the prompts for commercial A/C products and parts.



LG Electronics
Commercial Air Conditioning Division

4300 Northpoint Parkway

Alpharetta, Georgia 30022

www.lghvac.com

IM_CRC1_Series_Controllers_5_17
Supersedes: IM_CRC1_Series_Controllers_4_17
Supersedes: IM_CRC1_Series_Controllers_10_16

MULTI F

MULTI F MAX

OUTDOOR UNIT INSTALLATION MANUAL

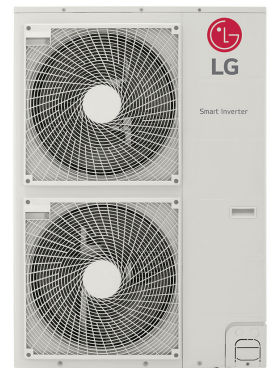
Multi-Zone Heat Pump Systems 1.5 to 5 Tons



Dual and Tri-Zone
Multi F



Quad-Zone
Multi F



Eight-Zone
Multi F MAX

PROPRIETARY DATA NOTICE

This document, as well as all reports, illustrations, data, information, and other materials are the property of LG Electronics U.S.A., Inc., and are disclosed by LG Electronics U.S.A., Inc. only in confidence.

**⊘ Do not throw away, destroy, or lose this manual.
Please read carefully and store in a safe place for future reference.
Content familiarity is required for proper installation.**

The instructions included in this manual must be followed to prevent product malfunction, property damage, injury, or death to the user or other people. Incorrect operation due to ignoring any instructions will cause harm or damage. The level of seriousness is classified by the symbols described by the summary list of safety precautions on page 4.

For more technical materials such as submittals, catalogs, engineering, owner's, best practices, building ventilation guide, and service manuals, visit www.lghvac.com.






For continual product development, LG Electronics U.S.A., Inc. reserves the right to change specifications without notice.

© LG Electronics U.S.A., Inc.

| | |
|--|---------------|
| Safety Instructions | 4-7 |
| Nomenclature | 8 |
| General Data | 9-18 |
| Installation | 19-32 |
| <i>Transporting / Lifting</i> | 19 |
| <i>Placement Considerations</i> | 20-29 |
| <i>Mounting / Anchoring</i> | 30-32 |
| General Refrigerant Piping System Information | 33-47 |
| <i>LATS</i> | 33-34 |
| <i>Refrigerant Safety/Device</i> | 35-36 |
| <i>Selecting Copper Piping</i> | 37 |
| <i>Copper Expansion/Contraction</i> | 38-40 |
| <i>Piping Handling</i> | 41 |
| <i>Refrigerant System Engineering</i> | 42-45 |
| <i>Flaring and Brazing Procedures</i> | 46-47 |
| Refrigerant Piping System Installation | 48-56 |
| <i>Installing Multi F Systems</i> | 48-49 |
| <i>Installing Multi F MAX Systems</i> | 50-54 |
| <i>Bundling/SpecialApps</i> | 55 |
| <i>Condensate Drain Piping</i> | 56 |
| Insulation | 57-59 |
| Electrical | 60-74 |
| <i>General Information</i> | 60 |
| <i>Connections and Specifications</i> | 61-63 |
| <i>Installation</i> | 64-74 |
| Final Installation Procedures | 75-90 |
| <i>Triple Leak / Pressure Test</i> | 75-76 |
| <i>Deep Evacuation Test</i> | 77-78 |
| <i>Triple Evacuation Test</i> | 79-80 |
| <i>Refrigerant Charge</i> | 80-81 |
| <i>Cautions for Refrigerant Leaks</i> | 82-83 |
| <i>Test Run</i> | 84 |
| <i>DIP Switch Settings for Optional Modes</i> | 85-90 |
| Error Codes | 91-93 |
| LGMV Diagnostic Software | 94-95 |
| Maintenance Recommendations | 96 |
| Checklists and Worksheets | 97-102 |


The instructions below must be followed to prevent product malfunction, property damage, injury or death to the user or other people. Incorrect operation due to ignoring any instructions will cause harm or damage. The level of seriousness is classified by the symbols described below.


TABLE OF SYMBOLS

| | |
|--|--|
|  DANGER | <i>This symbol indicates an imminently hazardous situation which, if not avoided, will result in death or serious injury.</i> |
|  WARNING | <i>This symbol indicates a potentially hazardous situation which, if not avoided, could result in death or serious injury.</i> |
|  CAUTION | <i>This symbol indicates a potentially hazardous situation which, if not avoided, may result in minor or moderate injury.</i> |
|  NOTE | <i>This symbol indicates situations that may result in equipment or property damage accidents only.</i> |
| Note: | <i>This symbol indicates information related to the current procedure.</i> |
|  | <i>This symbol indicates an action that should not be performed.</i> |


Installation

DANGER

 Do not store or use flammable gas or combustibles near the unit.
There is risk of fire, explosion, and physical injury or death.


 Do not supply power to the unit until all wiring and piping are completed or reconnected and checked.
There is risk of physical injury or death due to electric shock.

WARNING


 Do not install or remove the unit by yourself (end user). Ask the dealer or a trained technician to install the unit.
Improper installation by the user will result in fire, explosion, electric shock, physical injury or death.

If the air conditioner is installed in a small space, take measures to prevent the refrigerant concentration from exceeding safety limits in the event of a refrigerant leak. Consult the latest edition of ASHRAE (American Society of Heating, Refrigerating, and Air Conditioning Engineers) Standard 15. If the refrigerant leaks and safety limits are exceeded, it could result in personal injuries or death from oxygen depletion.

For replacement of an installed unit, always contact an LG trained service provider.
There is risk of fire, electric shock, explosion, and physical injury or death.

The branch distribution (BD) unit must be installed indoors;
 do not install the BD unit in a highly humid environment.
There is risk of physical injury or death due to electric shock.

Wear protective gloves when handling equipment. Sharp edges will cause personal injury.

 Do not change the settings of the protection devices.
If the protection devices have been bypassed or is forced to operate improperly, or parts other than those specified by LG are used, there is risk of fire, electric shock, explosion, and physical injury or death.


Dispose the packing materials safely.

- Packing materials, such as nails and other metal or wooden parts, will cause puncture wounds or other injuries.
- Tear apart and throw away plastic packaging bags so that children will not play with them and risk suffocation and death.

Replace all control box and panel covers.
If cover panels are not installed securely, dust, water and animals will enter the outdoor unit, causing fire, electric shock, and physical injury or death.

Install the unit considering the potential for strong winds or earthquakes.
Improper installation will cause the unit to fall over, resulting in physical injury or death.

Always check for system refrigerant leaks after the unit has been installed or serviced.
Exposure to high concentration levels of refrigerant gas will lead to illness or death.

Install the unit in a safe location where nobody can step, fall onto it, or place objects on it.  Do not install the unit on a defective stand.
It will result in an accident that causes physical injury or death.

Periodically check that the outdoor frame is not damaged.
There is a risk of explosion, physical injury, or death.

Installation, continued

⚠ WARNING

Properly insulate all cold surfaces to prevent “sweating.”

Cold surfaces such as uninsulated piping can generate condensate that could drip, causing a slippery surface that creates a risk of slipping, falling, and personal injury.

⚠ CAUTION

Be very careful when transporting the product. There is a risk of the product falling and causing physical injury.

- Use appropriate moving equipment to transport each frame; ensure the equipment is capable of supporting the weights listed.
- Some products use polypropylene bands for packaging. Ⓣ Do not use polypropylene bands to lift the unit.
- Support the outdoor unit a minimum of four points to avoid slippage from rigging apparatus.

⚠ NOTE

LG Electronics U.S.A., Inc., is not responsible for any piping calculations, refrigerant leaks, degradation of performance, or any other potential problems or damages as a result of interconnecting piping, their joint connections, isolation valves, introduced debris inside the piping system, or other problems caused by the interconnecting piping system.

Ⓣ Do not install the product where it is exposed directly to ocean winds.

Sea salt in the air will cause the product to corrode. Corrosion, particularly on the condenser and evaporator fins, could cause product malfunction or inefficient operation.

When installing the outdoor unit in a low-lying area, or a location that is not level, use a raised concrete pad or concrete blocks to provide a solid, level foundation.

This prevents water damage and abnormal vibration.

Properly insulate all cold surfaces to prevent “sweating.”

Cold surfaces such as uninsulated piping can generate condensate that will drip and cause water damage to walls.

Always check for system refrigerant leaks after the unit has been installed or serviced.

Low refrigerant levels will cause product failure.

The branch distribution (BD) unit must be installed indoors;

Ⓣ Do not install the BD box in a highly humid environment. *There is risk of product failure and property damage.*

Ⓣ Do not make refrigerant substitutions. Use R410A only. *If a different refrigerant is used, or air mixes with original refrigerant, the unit will malfunction and be damaged.*

Ⓣ Do not store or use flammable gas / combustibles near the unit.

There is a risk of product failure.

Ⓣ Do not use the product for mission critical or special purpose applications such as preserving foods, works of art, or other precision air conditioning applications. The equipment is designed to provide comfort cooling and heating. *There is risk of property damage.*

Keep the unit upright during installation to avoid vibration or water leakage.

When connecting refrigerant tubing, remember to allow for pipe expansion.

Improper piping will cause refrigerant leaks and system malfunction.

Ⓣ Do not install the outdoor unit or BD unit in a noise-sensitive area.

Take appropriate actions at the end of HVAC equipment life to recover, recycle, reclaim or destroy R410A refrigerant according to applicable U.S. Environmental Protection Agency (EPA) rules.

Periodically check that the outdoor frame is not damaged.

There is a risk of equipment damage.

Install the unit in a safe location where nobody can step on or fall onto it. Ⓣ Do not install the unit on a defective stand.

There is a risk of unit and property damage.

Install the drain hose to ensure adequate drainage.

There is a risk of water leakage and property damage.

Wiring

⚠ DANGER

High voltage electricity is required to operate this system. Adhere to the NEC code and these instructions when wiring. Improper connections and inadequate grounding can cause accidental injury or death.

Always ground the unit following local, state, and NEC codes. There is risk of fire, electric shock, and physical injury or death.

Turn the power off at the nearest disconnect before servicing the equipment. Electrical shock can cause physical injury or death.

Properly size all circuit breakers or fuses. There is risk of fire, electric shock, explosion, physical injury or death.

⊘ **Do not share the electrical circuit with other appliances. There is risk of fire, electric shock, and physical injury or death due to heat generation.**

⊘ **Do not use damaged or loose power wiring. ⊘ Do not randomly modify or extend the outdoor unit's power wiring. Ensure that the power wiring will not be pulled nor weight be placed on the power wiring during operation. There is risk of fire, electric shock, and physical injury or death.**

⚠ WARNING

The information contained in this manual is intended for use by an industry-qualified, experienced, certified electrician familiar with the U.S. National Electric Code (NEC) who is equipped with the proper tools and test instruments. Failure to carefully read and follow all instructions in this manual can result in personal injury or death.

All electric work must be performed by a licensed electrician and conform to local building codes or, in the absence of local codes, with the National Electrical Code, and the instructions given in this manual. If the power source capacity is inadequate or the electric work is not performed properly, it will result in fire, electric shock, physical injury or death.

Refer to local, state, and federal codes, and use power wires of sufficient current capacity and rating. Wires that are too small will generate heat and cause a fire.

Secure all field wiring connections with appropriate wire strain relief. Improperly securing wires will create undue stress on equipment power lugs. Inadequate connections will generate heat, cause a fire and physical injury or death.

Ensure the system is connected to a dedicated power source that provides adequate power. If the power source capacity is inadequate or the electric work is not performed properly, it will result in fire, electric shock, physical injury or death.

Properly tighten all power connections. Loose wiring will overheat at connection points, causing a fire, physical injury or death.

⊘ **Do not change the settings of the protection devices. If the protection devices have been bypassed or are forced to operate improperly, or parts other than those specified by LG are used, there is risk of fire, electric shock, explosion, and physical injury or death.**

⚠ NOTE

⊘ **Do not supply power to the unit until all electrical wiring, controls wiring, piping, installation, and refrigerant system evacuation are completed. System will malfunction.**

The information contained in this manual is intended for use by an industry-qualified, experienced, certified electrician familiar with the U.S. National Electric Code (NEC) who is equipped with the proper tools and test instruments. Failure to carefully read and follow all instructions in this manual can result in equipment malfunction and / or property damage.

Operation

⚠ DANGER

⊘ Do not provide power to or operate the unit if it is flooded or submerged.

There is risk of fire, electric shock, physical injury or death.

Use a dedicated breaker for this product.

There is risk of fire, electric shock, physical injury or death.

⊘ Do not operate the disconnect switch with wet hands.

There is risk of fire, electric shock, physical injury or death.

Periodically verify the equipment mounts have not deteriorated.

If the base collapses, the unit could fall and cause physical injury or death.

Use inert (nitrogen) gas when performing leak tests or air purges. ⊘ Do not use compressed air, oxygen, or flammable gases.

Using these substances will cause fire, explosion, and physical injury or death.

If refrigerant leaks out, ventilate the area before operating the unit.

If the unit is mounted in an enclosed, low-lying, or poorly ventilated area, and the system develops a refrigerant leak, it will cause a fire, electric shock, explosion, physical injury or death.

⚠ WARNING

⊘ Do not allow water, dirt, or animals to enter the unit.

There is risk of fire, electric shock, physical injury or death.

⊘ Do not operate the unit with the panel(s) or protective cover(s) removed; keep fingers and clothing away from moving parts.

The rotating, hot, cold, and high-voltage parts of the unit can cause physical injury or death.

⊘ Do not touch the refrigerant piping during or after operation.

It can cause burns or frostbite.

⊘ Do not open the inlet during operation.

There is risk of electric shock, physical injury or death.

⚠ CAUTION

To avoid physical injury, use caution when cleaning or servicing the air conditioner.

There is risk of electric shock, physical injury or death.

⚠ NOTE

Clean up the site after servicing is finished, and check that no metal scraps, screws, or bits of wiring have been left inside or surrounding the unit.

⊘ Do not use the product for mission critical or special purpose applications such as preserving foods, works of art, or other precision air conditioning applications. The equipment is designed to provide comfort cooling and heating.

Oil, steam, sulfuric smoke, etc., can significantly reduce the performance of the unit, or damage its parts.

⊘ Do not block the inlet or outlet.

Unit will malfunction.

⊘ Do not allow water, dirt, or animals to enter the unit.

There is risk of unit failure.

⊘ Do not open the inlet during operation.

There is risk of unit failure.

⊘ Do not operate the unit when the panel(s) or protective cover(s) are removed.

Non-secured covers can result in product malfunction due to dust or water in the service panel.

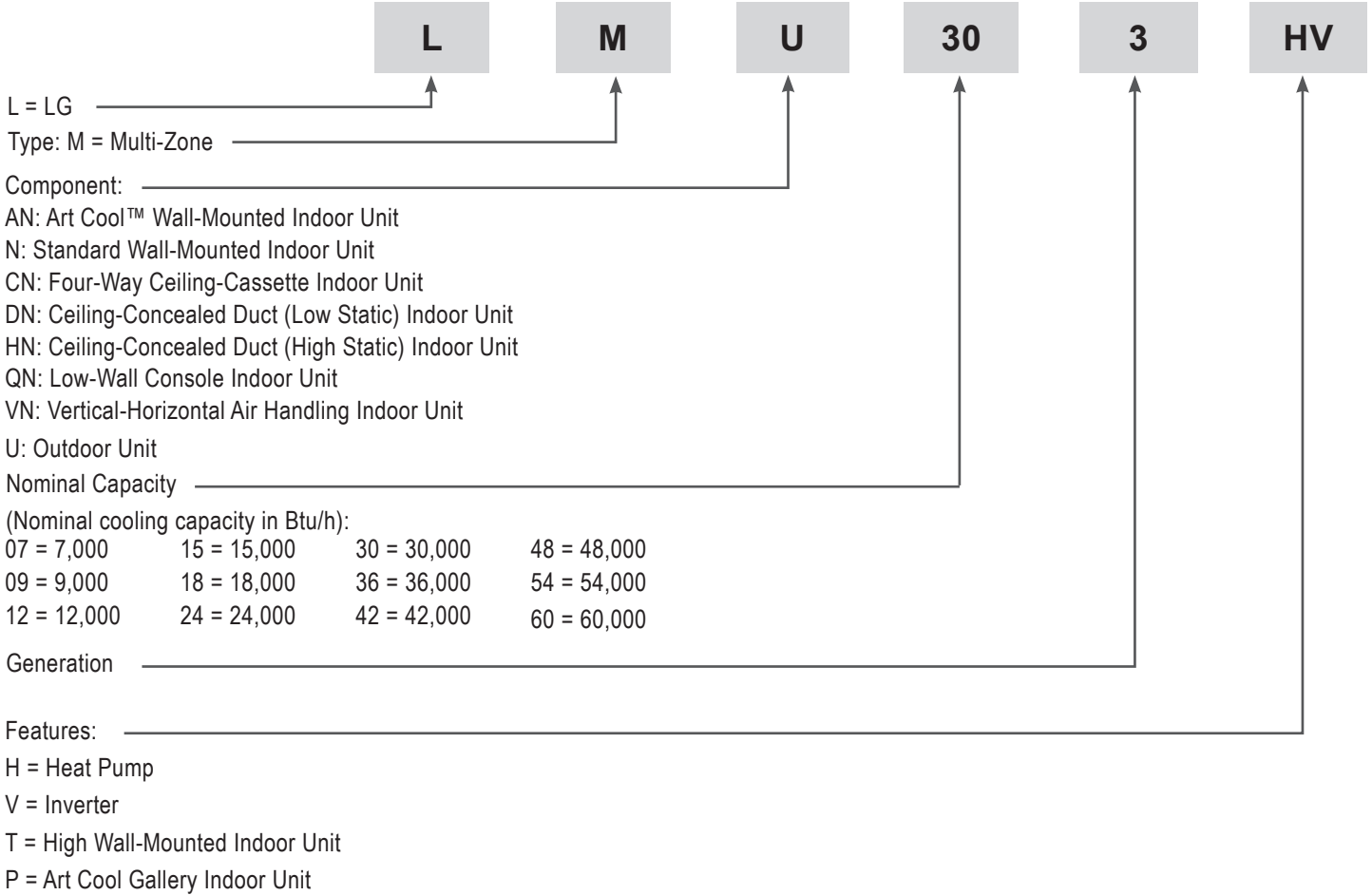
Periodically verify the equipment mounts have not deteriorated.

If the base collapses, the unit could fall and cause property damage or product failure.

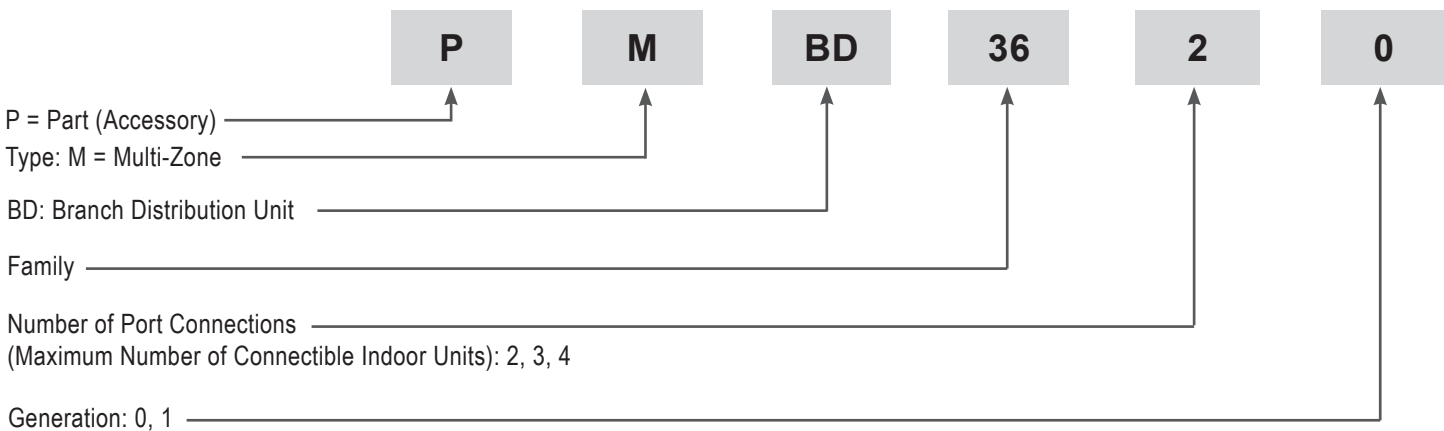
Use a only soft cloth to clean the air conditioner. ⊘ Do not use wax, thinner, or strong detergents.

Strong cleaning products will damage the surface of the air conditioner, or will cause its appearance to deteriorate.

Multi-Zone Systems — Indoor Units and Outdoor Units



Branch Distribution Units



Note:

- Voltage for all equipment is 208-230V, 60 Hz, 1-phase.
- All indoor units are compatible with wired controllers.
- All outdoor units are LGAP control network compatible with PI-485 V-net Control Integration Board (PMNFP14A1, sold separately).
- Compatible single zone IDU nomenclature is listed in the Single Zone Wall-Mounted IDU Engineering Manual.

Table 1: Multi F Outdoor Unit Specifications.

| Model Number | LMU183HV | LMU243HV | LMU303HV | LMU363HV |
|---|---|----------------------|--------------------------|----------------------|
| Cooling Capacity (Btu/h)¹ (Min.~Rated~ Max.) | 8,400~18,000~21,600 | 8,400~24,000~25,000 | 8,400~30,000~36,000 | 8,400~32,800~38,400 |
| Heating Capacity (Btu/h)¹ (Min.~Rated~ Max.) | 10,080~22,000~25,000 | 10,080~24,600~29,000 | 10,080~32,000~38,400 | 10,080~36,000~41,600 |
| Continuous Operating Range | | | | |
| Cooling (°F DB)⁷ | 14 to 118 | 14 to 118 | 14 to 118 | 14 to 118 |
| Heating (°F WB) | -4 to +64 | -4 to +64 | -4 to +64 | -4 to +64 |
| Operative Operating Range⁸ | | | | |
| Cooling (°F DB)⁷ | 14 to 122 | 14 to 122 | 14 to 122 | 14 to 122 |
| Heating (°F WB) | -9 to +64 | -9 to +64 | -9 to +64 | -9 to +64 |
| Compressor | | | | |
| Inverter Quantity | Twin Rotary x 1 | Twin Rotary x 1 | Twin Rotary x 1 | Twin Rotary x 1 |
| Oil/Type | FVC68D | FVC68D | FVC68D | FVC68D |
| Fan (Side Discharge) | | | | |
| Type | Propeller | Propeller | Propeller | Propeller |
| Motor Output (W) x Qty. | 85.4 x 1 | 85.4 x 1 | 124.2 x 1 | 124.2 x 1 |
| Motor / Drive | Brushless Digitally Controlled / Direct | | | |
| Maximum Air Volume (CFM) | 1,766 | 1,766 | 2,119 | 2,119 |
| Unit Data | | | | |
| Refrigerant Type | R410A | R410A | R410A | R410A |
| Refrigerant Control/Location | EEV / Outdoor Unit | EEV / Outdoor Unit | EEV/Outdoor Unit | EEV/Outdoor Unit |
| Min. ~ Max. Number Indoor Units/System² | 2~2 | 2~3 | 2~4 | 2~4 |
| Min. ~ Max. Allowable Total IDU Connected Capacity (Btu/h) | 14,000~24,000 | 14,000~33,000 | 14,000~40,000 | 14,000~48,000 |
| Sound Pressure (Cooling / Heating) dB(A)³ | 49 / 54 | 50 / 54 | 51 / 54 | 51 / 54 |
| Dimensions (W x H x D [inch]) | 34-1/4 x 25-19/32 x 13 | | 37-13/32 x 32-27/32 x 13 | |
| Net / Shipping Unit Weight (lbs.) | 101 / 109.8 | 101.4 / 110.2 | 138.9 / 154.3 | 138.9 / 154.3 |
| Power Supply (V, Phase, Hz) | 208 / 230V, 1, 60 | | | |
| Power Wiring / Comm. Cable (No. x AWG)^{4,5} | 4C x 14 | 4C x 14 | 4C x 14 | 4C x 14 |
| Heat Exchanger | | | | |
| Material and Fin Coating | Copper Tube/Aluminum Fin and GoldFin™/Hydrophilic | | | |
| Rows / Columns/Fins per inch x Qty. | (2 x 28 x 14) x 1 | (2 x 28 x 14) x 1 | (2 x 38 x 14) x 1 | (2 x 38 x 14) x 1 |
| Piping | | | | |
| Liquid Line Connection (in., OD) x Qty. | 1/4 x 2 | 1/4 x 3 | 1/4 x 4 | 1/4 x 4 |
| Vapor Line Connection (in., OD) x Qty. | 3/8 x 2 | 3/8 x 3 | 3/8 x 4 | 3/8 x 4 |
| Factory Charge lbs. of R410A | 3.97 | 3.97 | 6.17 | 6.17 |
| Piping Lengths | | | | |
| Maximum Total Piping (ft.)⁶ | 164.0 | 230.0 | 246.1 | 246.1 |
| Piping Length (No Additional Refrigerant [ft]) | 98.4 | 98.4 | 98.4 | 98.4 |
| Min./Max. Outdoor Unit to Indoor Unit Piping (ft) | 9.8 / 82.0 | 9.8 / 82.0 | 9.8 / 82.0 | 9.8 / 82.0 |
| Maximum Elevation between ODU and IDU (ft.) | 49.2 | 49.2 | 49.2 | 49.2 |
| Maximum Elevation between IDU and IDU (ft.) | 24.6 | 24.6 | 24.6 | 24.6 |

¹Capacity is rated with non-ducted indoor units, 0 ft. above sea level, with a 0 ft. level difference between outdoor and indoor units, and the following refrigerant pipe lengths:

LMU183HV: 16.4 ft. x 2 = 32.8 ft.

LMU243HV: 16.4 ft. x 3 = 49.2 ft.

LMU303HV: 16.4 ft. x 4 = 65.6 ft.

LMU363HV: 16.4 ft. x 4 = 65.6 ft.

All capacities are net with a combination ratio between 95 – 105%.

Rated cooling capacity obtained with air entering the indoor unit at 80°F dry bulb (DB) and 67°F wet bulb (WB) and outdoor ambient conditions of 95°F dry bulb (DB) and 75°F wet bulb (WB). Rated heating capacity obtained with air entering the indoor unit at 70°F dry bulb (DB) and 60°F wet bulb (WB) and outdoor ambient conditions of 47°F dry bulb (DB) and 43°F wet bulb (WB).

²At least two indoor units must be connected. For allocated capacity information, see the combination tables in the "Multi F / Multi F MAX Combination Data Manual" on www.lghvac.com. For performance data, see "Multi F / Multi F MAX Performance Data Manual" on www.lghvac.com.

³Sound pressure levels are tested in an anechoic chamber under ISO Standard 3745 and are the same in both cooling and heating mode. These values can increase due to ambient conditions during operation.

⁴Power wiring to the outdoor unit is field supplied, solid or stranded, and must comply with the applicable local and national codes. For detailed information, please refer to electrical characteristics on page 10.

⁵All power wiring / communication cable to be minimum 14 AWG, 4-conductor from the outdoor unit to the indoor units, stranded, shielded or unshielded (if shielded, it must be grounded to the chassis of the outdoor unit only), and must comply with applicable local and national codes. For detailed electrical information, please refer to electric characteristics on page 10.

⁶Piping lengths are equivalent.

⁷Cooling operation range with Low Ambient Wind Baffle Kit (sold separately) is -4°F to +118°F.

⁸Operation outside of Continuous Operating Range is subject to safety interruption.

GENERAL DATA

Multi F Outdoor Unit Electrical Data

MULTI F
MULTI F MAX

Table 2: Multi F Outdoor Unit Electrical Data

| Nominal Tons | Unit Model No. | Hertz | Voltage | Voltage Range (Min. to Max.) | MCA | MOP | LRA | Compressor Quantity | Compressor Motor RLA | Outdoor Fan Motor | | Indoor Fan Motor |
|--------------|----------------|-------|-----------|------------------------------|------|-----|------|---------------------|----------------------|-------------------|------|------------------|
| | | | | | | | | | | kW | FLA | FLA |
| 1.5 | LMU183HV | 60 | 208 - 230 | 187 - 253 | 15.8 | 20 | 16.0 | 1 | 12.0 | 0.085 | 0.40 | 0.40 |
| 2 | LMU243HV | | | | 16.0 | 20 | 16.0 | 1 | 12.0 | 0.085 | 0.40 | 0.60 |
| 2.5 | LMU303HV | | | | 18.4 | 25 | 19.0 | 1 | 13.5 | 0.124 | 0.73 | 0.80 |
| 3 | LMU363HV | | | | 18.4 | 25 | 19.0 | 1 | 13.5 | 0.124 | 0.73 | 0.80 |

Voltage tolerance is $\pm 10\%$.

Maximum allowable voltage unbalance is 2%.

RLA = Rated Load Amps.

MCA = Minimum Circuit Ampacity.

LRA = (Locked Rotor Amps)

Maximum Overcurrent Protection (MOP) is calculated as follows: (Largest motor FLA x 2.25) + (Sum of other motor FLA) rounded down to the nearest standard fuse size.

Indoor Fan Motor (FLA; Full Load Amps [A]) is based on the following indoor unit combinations:.

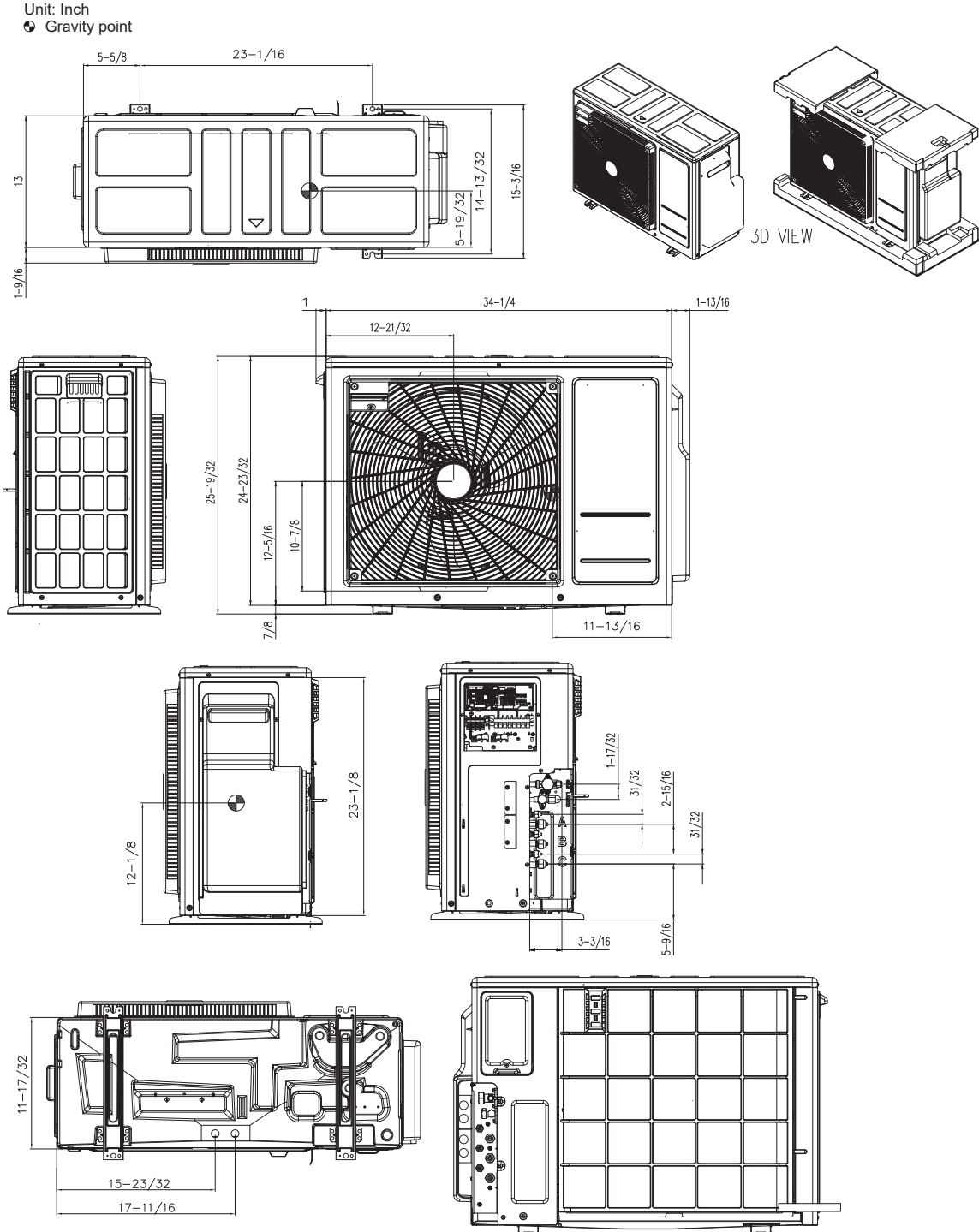
- 18,000 ODU (LMU183HV): 9k Wall Mounted IDU x 2
- 24,000 ODU (LMU243HV): 7k Wall Mounted IDU x 2 + 9k Wall Mounted IDU x 1

- 30,000 ODU (LMU303HV): 9k Wall Mounted IDU x 4

- 36,000 ODU (LMU363HV): 9k Wall Mounted IDU x 4

*Wall Mounted IDU FLA is 0.2

Figure 1: LMU183HV and LMU243HV Multi F Outdoor Unit External Dimensions.



(BACK)

Notes:

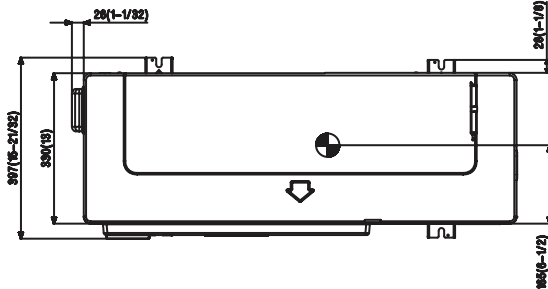
1. Unit must be installed in compliance with the installation manual.
2. Unit must be grounded in accordance with the local or state regulations and applicable national codes.
3. All field-supplied electrical components and materials must comply with the local, state, and national codes.
4. Electrical characteristics must be considered for electrical work and design. The capacity of power cable and circuit breaker for the outdoor unit must follow local, state, national, and manufacturer requirements.
5. For LMU183HV Unit, ports A and B are available.
6. For LMU243HV Unit, ports A, B, and C are available.

GENERAL DATA

Multi F Outdoor Unit Dimensions

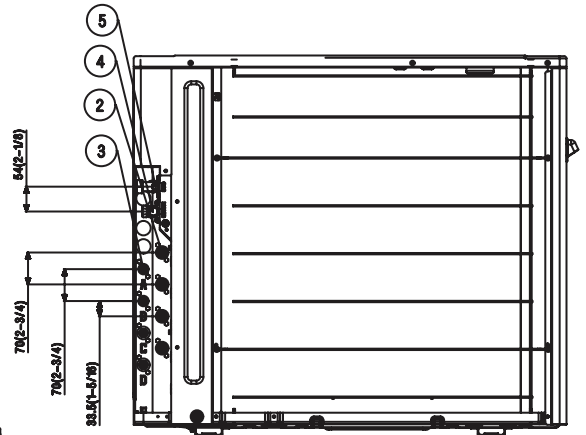
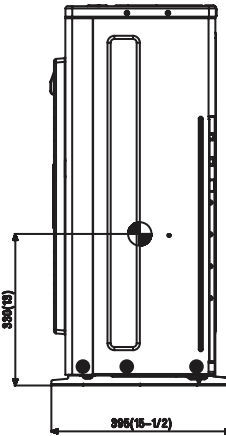
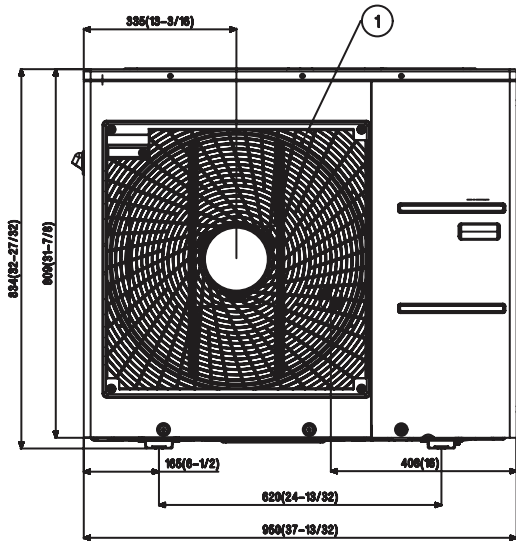
MULTI F
MULTI F MAX

Figure 2: LMU303HV and LMU363HV Multi F Outdoor Unit External Dimensions.



[Unit : mm(inch)]

⊕ Gravity point



| No. | Part Name |
|-----|-----------------------------|
| 1 | Air discharge grille |
| 2 | Vapor pipe connection |
| 3 | Liquid pipe connection |
| 4 | Main service valve (Liquid) |
| 5 | Main service valve (Vapor) |

Notes:

1. Unit must be installed in compliance with the installation manual.
2. Unit must be grounded in accordance with the local or state regulations and applicable national codes.
3. All field-supplied electrical components and materials must comply with local, state, and national codes.
4. Electrical characteristics must be considered for electrical work and design. The capacity of power cable and circuit breaker for the outdoor unit must follow local, state, national, and manufacturer requirements.

Table 3: Multi F MAX Outdoor Unit General Data.

| Model Number | LMU481HV | LMU541HV | LMU601HV |
|---|---|----------------------|----------------------|
| Capacity | | | |
| Cooling (Btu/h) (Minimum ~ Rated ~ Maximum) ¹ | 10,800~48,000~58,000 | 10,800~50,500~63,200 | 10,800~60,000~65,000 |
| Cooling Power Input (kW) (Min.~Rated~ Max.) | 0.66~3.75~5.20 | 0.66~4.01~5.71 | 0.64~5.31~5.81 |
| Cooling Running Current (A) (Min.~Rated~ Max.) | 3.0~17.0~23.6 | 3.0~18.2~25.9 | 2.9~24.0~26.3 |
| Heating (Btu/h) (Minimum ~ Rated ~ Maximum) ¹ | 12,420~54,000~59,000 | 12,420~58,000~64,000 | 12,420~64,000~68,000 |
| Heating Power Input (kW) (Min.~Rated~ Max.) | 0.75~4.52~5.28 | 0.75~5.07~5.83 | 0.71~5.44~5.87 |
| Heating Running Current (A) (Min.~Rated~ Max.) | 3.4~20.5~23.9 | 3.4~23.0~26.4 | 3.2~24.6~26.6 |
| Operating Range | | | |
| Cooling (°F DB) | 14 ⁷ to 118 | | |
| Heating (°F WB) | -4 to +64 | | |
| Compressor | | | |
| Inverter Quantity | Scroll x 1 | | |
| Oil/Type | FVC68D | | |
| Fan (Side Discharge) | | | |
| Type | Propeller | | |
| Motor Output (W) x Qty. | 124.2 x 2 | | |
| Motor / Drive | Brushless Digitally Controlled / Direct | | |
| Maximum Air Volume (CFM) | 1,942 x 2 | 2,119 x 2 | |
| Unit Data | | | |
| Refrigerant Type | R410A | | |
| Refrigerant Control / Location | Electronic Expansion Valve / Outdoor Unit | | |
| Min. ~ Max. Number Indoor Units/System ² | 2 ~ 8 | 2 ~ 8 | 2 ~ 8 |
| Max. Number of Branch Distribution Units | 2 | | |
| Min. ~ Max. Allowable Total Indoor Unit Connected Capacity (Btu/h) | 18,000 ~ 65,000 | 18,000 ~ 73,000 | 18,000 ~ 81,000 |
| Sound Pressure ±3 dB(A) (Cooling / Heating) ³ | 53 / 55 | | 56 / 58 |
| Dimensions (W x H x D [inch]) | 37-13/32 x 54-11/32 x 13 | | |
| Net / Shipping Unit Weight (lbs.) | 192 / 216 | 218 / 243 | |
| Power Supply (V, Phase, Hz) | 208 / 230V, 1, 60 | | |
| Comm. / Conn. (Power) Cable from ODU & BDU/BDU & IDU (No. X AWG) ^{4,5} | 4C x 14 / 4C x 14 | | |
| Heat Exchanger | | | |
| Material and Fin Coating | Copper Tube / Aluminum Fin and GoldFin™/Hydrophilic | | |
| Rows / Columns / Fins per inch x Qty. | (2 x 32 x 14) x 2 | | (3 x 32 x 14) x 2 |
| Piping | | | |
| Liquid Line Connection (in., OD) x Qty. | Ø3/8 x 1 | | |
| Vapor Line Connection (in., OD) x Qty. | Ø3/4 x 1 | | |
| Factory Charge oz. of R410A | 148.2 | 183.4 | |
| Additional Charging Volume (oz. / ft.) | Main Pipe | 0.54 | |
| | Branch Pipe | 0.22 | |
| Piping Lengths | | | |
| Maximum Total System Piping (ft.) ⁶ | 475.7 | | |
| Piping Length (No Additional Refrigerant [ft.1 Main+Branch]) | 16.4+131.2 | 16.4+131.2 | 49.2 + 131.2 |
| Maximum Main Pipe Length (ODU to BDU [ft.1]) | 180.4 | | |
| Total Branch Piping (BDU to all IDUs [ft.1]) | 295.3 | | |
| Maximum Branch Pipe Length (Length between each BDU and IDU [ft.1]) | 49.2 | | |
| Maximum Outdoor Unit to Indoor Unit Pipe Length (ft.) | 229.6 | | |
| Maximum Elevation between ODU and IDU (ft.) | 98.4 | | |
| Maximum Elevation between IDU and IDU (ft.) | 49.2 | | |
| Maximum Elevation between BDU and IDU (ft.) | 32.8 | | |
| Maximum Elevation between BDU and BDU (ft.) | 49.2 | | |

¹Capacity is rated with non-ducted indoor units, 0 ft. above sea level, with a 0 ft. level difference between outdoor and indoor units, and the following refrigerant pipe lengths: LMU481 / 541 / 601HV: 16.4 ft. Main + (16.4 ft. Branch x 8) = 147.6 ft. All capacities are net with a combination ratio between 95 – 105%.

Rated cooling capacity obtained with air entering the indoor unit at 80°F dry bulb (DB) and 67°F wet bulb (WB) and outdoor ambient conditions of 95°F dry bulb (DB) and 75°F wet bulb (WB). Rated heating capacity obtained with air entering the indoor unit at 70°F dry bulb (DB) and 60°F wet bulb (WB) and outdoor ambient conditions of 47°F dry bulb (DB) and 43°F wet bulb (WB).

²At least one Branch Distribution Unit is required for system operation; a maximum of two can be installed per outdoor unit with use of Y-branch accessory (PMBL5620). At least two indoor units must be connected. For allocated capacity information, see the combination tables in the "Multi F / Multi F MAX Combination Data Manual" on www.lgvac.com. For performance data, see "Multi F / Multi F MAX Performance Data Manual" on www.lgvac.com.

³Sound pressure levels are tested in an anechoic chamber under ISO Standard 3745.

These values can increase due to ambient conditions during operation.

⁴Power wiring to the outdoor unit is field supplied, solid or stranded, and must comply with the applicable local and national codes. For detailed information, please refer to electrical characteristics on page 14.

⁵Power wiring / communication cable to be minimum 14 AWG, 4-conductor from the outdoor unit to the BD unit (Multi F MAX systems only), and 14 AWG, 4-conductor from the BD unit to the indoor unit, stranded, shielded or unshielded (if shielded, it must be grounded to the chassis of the outdoor unit only), and must comply with applicable local and national codes. For detailed electrical information, please refer to electric characteristics on page 14.

⁶Piping lengths are equivalent.

⁷Cooling operation range with Low Ambient Wind Baffle Kit (sold separately) is -4°F to +118°F.

GENERAL DATA

Multi F MAX Outdoor Unit Electrical Data

MULTI F
MULTI F MAX

Table 4: LMU481HV, LMU541HV, and LMU601HV Electrical Data.

| Nominal Tons | Unit Model No. | Phase | Hertz | Voltage | Voltage Range (Min. to Max.) | MCA | MOP | Compressor Quantity | Compressor Motor RLA | Outdoor Unit Fan Motor(s) | | Indoor Unit Fan Motor |
|--------------|----------------|-------|-------|----------|------------------------------|------|-----|---------------------|----------------------|---------------------------|------------|-----------------------|
| | | | | | | | | | | kW x Qty. | FLA x Qty. | FLA |
| 4.0 | LMU481HV | 1 | 60 | 208 -230 | 187 - 253 | 32.7 | 40 | 1 | 22.0 | 2 x 0.12 | 1.60 x 2 | 4.0 |
| 4.5 | LMU541HV | | | | | 32.7 | 40 | 1 | 22.0 | 2 x 0.12 | 1.60 x 2 | 4.8 |
| 5.0 | LMU601HV | | | | | 32.7 | 40 | 1 | 22.0 | 2 x 0.12 | 1.60 x 2 | 5.2 |

Voltage tolerance is $\pm 10\%$.

Maximum allowable voltage unbalance is 2%.

MCA = Minimum Circuit Ampacity.

Maximum Overcurrent Protection (MOP) is calculated as follows: (Largest motor FLA x 2.25) + (Sum of other motor FLA) rounded down to the nearest standard fuse size.

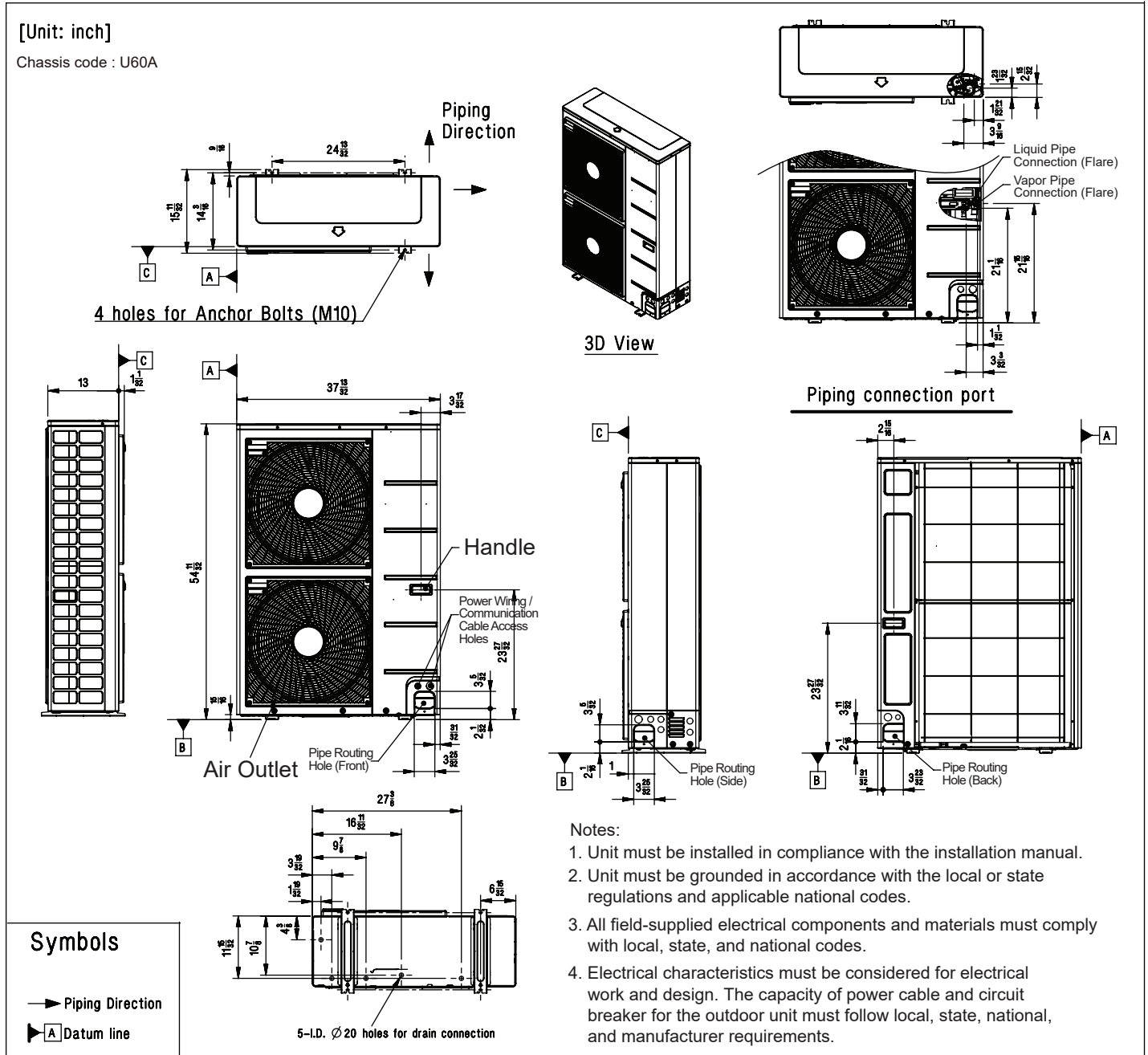
RLA = Rated Load Amps.

FLA = Full Load Amps.

Indoor Fan Motor (FLA) is based on the max. combination of IDUs.

MULTI F / MULTI F MAX Outdoor Unit Installation Manual

Figure 3: LMU481HV and LMU541HV External Dimensions.



GENERAL DATA

Multi F MAX Outdoor Unit Dimensions

MULTI F
MULTI F MAX

Figure 4: LMU601HV External Dimensions.

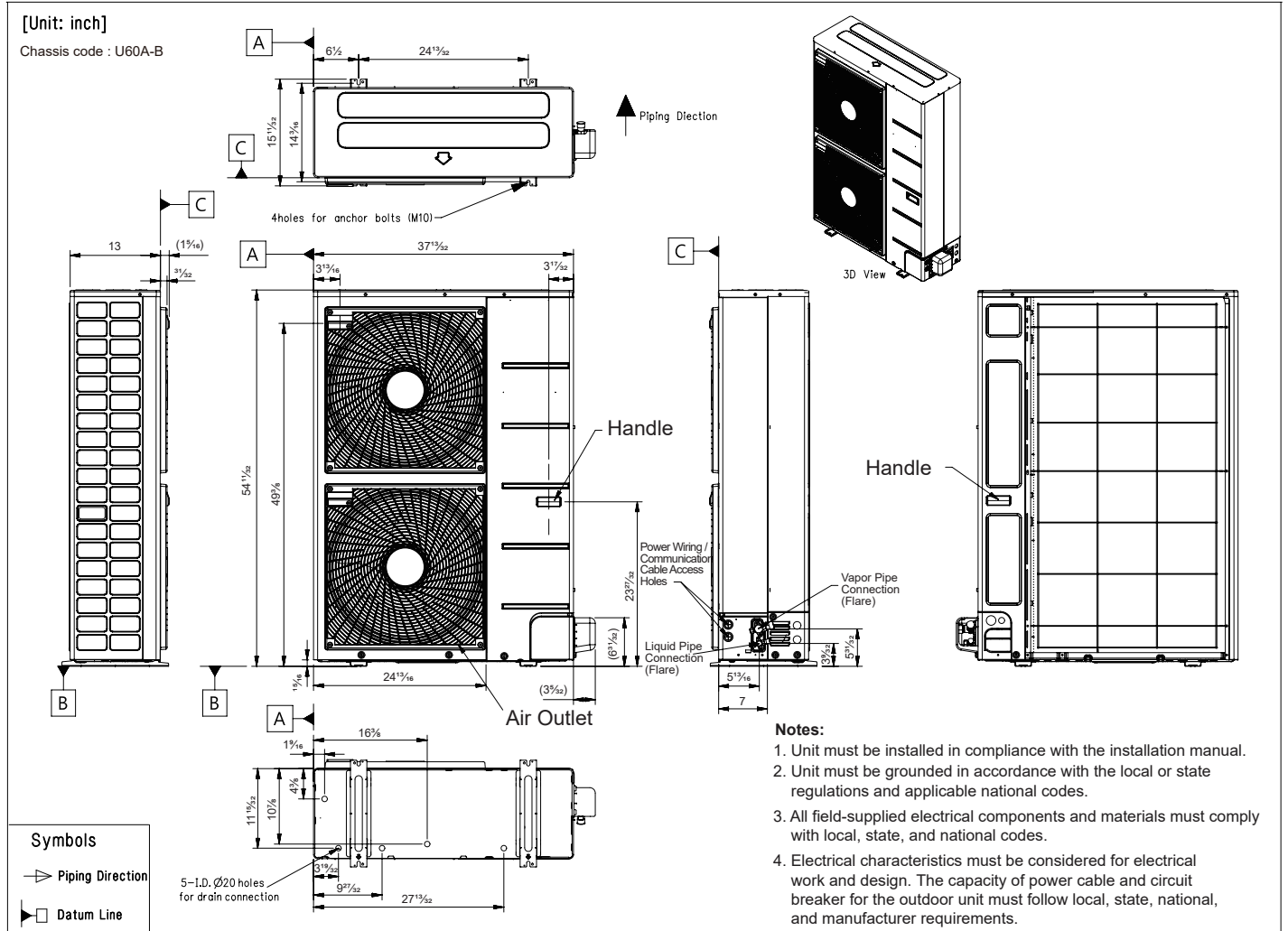


Table 5: Branch Distribution Unit General Data.

| Model Number | | PMBD3620 | PMBD3630 | PMBD3640 | PMBD3641 |
|--|-------------------------|--|--|--|--|
| No. of Connectible Indoor Units ¹ | | 1-2 | 1-3 | 1-4 | 1-4 |
| Max. Nominal Capacity / Port (Btu/h) ² | | 24,000 | 24,000 | 24,000 | Ports A, B, C: 24,000; Port D: 36,000 |
| Connected Indoor Unit Capacity (Btu/h) | | 7,000 ~ 24,000 | 7,000 ~ 24,000 | 7,000 ~ 24,000 | Ports A, B, C: 7,000 ~ 24,000; Port D: 24,000 or 36,000 |
| Max. Nominal Capacity / BDU (Btu/h) | | 48,000 | 72,000 | 73,000 | 73,000 |
| Operation Temperature Range (°F DB) | | 0 ~ 150 | 0 ~ 150 | 0 ~ 150 | 0 ~ 150 |
| Maximum Humidity | | 80% | 80% | 80% | 80% |
| Unit Data | | | | | |
| Refrigerant Type | | R410A | R410A | R410A | R410A |
| Power Supply V, Ø, Hz | | 208-230, 1, 60 | 208-230, 1, 60 | 208-230, 1, 60 | 208-230, 1, 60 |
| Power Input (W) | | 16 | 24 | 32 | 32 |
| Rated Amps (A) | | 0.08 | 0.12 | 0.16 | 0.16 |
| Dimensions W x H x D (in.) | | 17-3/32 x 6-13/32 x 10-23/32 | 17-3/32 x 6-13/32 x 10-23/32 | 17-3/32 x 6-13/32 x 10-23/32 | 17-3/32 x 6-13/32 x 10-23/32 |
| Net Unit Weight (lbs.) | | 13 | 14.3 | 15.7 | 15.7 |
| Shipping Weight (lbs.) | | 15 | 17 | 18 | 18 |
| Communication / Connection (Power) Cables³ | | | | | |
| From Outdoor Unit to Branch Distribution Unit (Qty. x AWG) ³ | | 4C x 14 | 4C x 14 | 4C x 14 | 4C x 14 |
| From Branch Distribution Unit to Indoor Unit (Qty. x AWG) ³ | | 4C x 14 | 4C x 14 | 4C x 14 | 4C x 14 |
| Piping Connections | | | | | |
| Outdoor Unit to BDU | Liquid (in., OD) | Ø3/8 | Ø3/8 | Ø3/8 | Ø3/8 |
| | Vapor (in., OD) | Ø3/4 | Ø3/4 | Ø3/4 | Ø3/4 |
| BDU to Indoor Units | Liquid (in., OD) x Qty. | Ø1/4 x 2 | Ø1/4 x 3 | Ø1/4 x 4 | Ø1/4 x 4 |
| | Vapor (in., OD) x Qty. | Ø3/8 x 2 | Ø3/8 x 3 | Ø3/8 x 4 | Ø3/8 x 3; Ø1/2 x 1 |
| Piping Lengths | | | | | |
| Maximum Total System Piping (ft.) ⁴ | | 475.7 | 475.7 | 475.7 | 475.7 |
| Maximum Main Pipe Length (Outdoor Unit to Branch Distribution Units [ft.]) | | 180.4 | 180.4 | 180.4 | 180.4 |
| Total Branch Piping (Branch Distribution Units to Indoor Units [ft.]) | | 295.3 | 295.3 | 295.3 | 295.3 |
| Maximum Branch Pipe Length Between Branch Distribution Unit and Each Indoor Unit [ft.] | | 49.2 | 49.2 | 49.2 | 49.2 |
| Maximum Outdoor Unit to Indoor Unit Pipe Length (ft.) | | 229.6 | 229.6 | 229.6 | 229.6 |
| Piping Length (No Additional Refrigerant [ft.]; approx. 16.4 ft. or 49.2 ft. of Main Piping (depending on ODU model) + 131.2 ft. of Branch Piping) | | 147.6 or 180.4 (Depending on ODU Model) | 147.6 or 180.4 (Depending on ODU Model) | 147.6 or 180.4 (Depending on ODU Model) | 147.6 or 180.4 (Depending on ODU Model) |
| Maximum Elevation between Branch Distribution Unit and Indoor Unit (ft.) | | 32.8 | 32.8 | 32.8 | 32.8 |
| Maximum Elevation between Branch Distribution Unit and Branch Distribution Unit (ft.) | | 49.2 | 49.2 | 49.2 | 49.2 |

¹At least one branch distribution Unit is required for system operation; a maximum of two can be installed per outdoor unit with use of Y-branch accessory (PMBL5620) To connect only one (1) indoor unit to a branch distribution unit, the system must include another branch distribution unit with at least one (1) connected indoor unit.

²Branch distribution Unit can accommodate from one (1) indoor unit up to four (4) indoor units depending on the ports available on the branch distribution Unit.

³Communication / power (connection) cable must be a minimum of 14 AWG, 4-conductor from the outdoor unit to the branch distribution unit (Multi F MAX systems only), and 14 AWG, 4-conductor from the branch distribution unit to the indoor unit, stranded, shielded or unshielded (if shielded, it must be grounded to the chassis of the outdoor unit only), and must comply with applicable local and national codes.

⁴Piping lengths are equivalent.

Transporting / Lifting the Outdoor Unit



- At the time of delivery, the package must be checked for any damage (exterior and interior). Report any damage to the carrier claims agent immediately.
- When lifting the unit, use lifting straps and place properly around the unit.
- Always lift the unit using properly sized lifting straps rated to carry the unit weight.
- Ensure the straps are long enough to maintain a maximum of a 40° angle.

Table 6: Multi F / Multi F MAX Shipping and Net Weights.

| Model No. | Capacity (ton) | Shipping Weight (lbs.) | Net Weight (lbs.) |
|-----------|----------------|------------------------|-------------------|
| LMU183HV | 1.5 | 109.8 | 101 |
| LMU243HV | 2 | 110.2 | 101.4 |
| LMU303HV | 2.5 | 154.3 | 138.9 |
| LMU363HV | 3 | | |
| LMU481HV | 4 | 216 | 192 |
| LMU541HV | 4.5 | | |
| LMU601HV | 5 | 243 | 218 |

WARNING

Be very careful when transporting the product. There is a risk of the product falling and causing physical injury.

- Use appropriate moving equipment to transport each frame; ensure the equipment is capable of supporting the weights listed above. If the equipment is not properly secured, it will result in an accident that causes physical injury or death.
- Wear protective gloves when handling equipment. Sharp edges will cause personal injury.
- Dispose the packing materials safely. Packing materials, such as nails and other metal or wooden parts, will cause puncture wounds or other injuries.
- Tear apart and throw away plastic packaging bags so that children will not play with them and risk suffocation and death.
- Use caution when using a forklift to transport an unpackaged unit. The forklift arms must pass through the openings at the bottom.  Do not drop the unit when carrying it with a forklift. There is a risk of the product falling and causing physical injury.
- Consider the unit's center of gravity before lifting. Hoist the unit with the center of gravity centered among the lifting straps. There is a risk of the product falling and causing physical injury.
- Some products include polypropylene bands around the unit for packaging.  Do not use polypropylene bands to lift the unit. There is a risk of the product falling and causing physical injury.
- Lift the outdoor unit from the base at specified locations. Support the outdoor unit at a minimum of four (4) points to avoid slippage from the rigging apparatus. There is a risk of the product falling and causing physical injury.
- If a crane is to suspend the outdoor unit, it is recommended that two (2) ropes at least twenty-three (23) feet in length be used.
- Pass the ropes under the unit. Pass the rope through the two (2) forklift slots each at the front and rear of the outdoor unit.
- To prevent damage to the outdoor unit, always lift the unit with the ropes attached at four (4) points at an angle of $\leq 40^\circ$.

Note:

- Make sure the outdoor unit is in its original packaging to avoid damage during local transport.
- Handle the outdoor unit with care. Keep the outdoor unit upright to avoid damaging inside components.
- When lifting, always include padding to protect the outdoor unit from rope damage.




PLACEMENT CONSIDERATIONS

Selecting the Best Location for the Outdoor Unit

MULTI F
MULTI F MAX

Selecting the Best Location for the Outdoor Unit

⚠ DANGER

-  Do not install the unit in an area where combustible gas will generate, flow, stagnate, or leak. These conditions can cause a fire, resulting in bodily injury or death.
-  Do not install the unit in a location where acidic solution and spray (sulfur) are often used as it can cause bodily injury or death.
-  Do not use the unit in environments where oil, steam, or sulfuric gas are present as it can cause bodily injury or death.

⚠ CAUTION

When deciding on a location to place the outdoor unit, be sure to choose an area where run-off from defrost will not accumulate and freeze on sidewalks or driveways, which will create unsafe conditions. Properly install and insulate any drain hoses to prevent the hose from freezing, cracking, leaking, and causing unsafe conditions from frozen condensate.


⚠ WARNING

Install a fence to prevent vermin from crawling into the unit or unauthorized individuals from accessing it. Vermin and unauthorized individuals will cause a fire, electric shock, physical injury or death. Follow the placement guidelines set forth in "Clearance Requirements".

Note:

Install a fence to prevent vermin from crawling into the unit or unauthorized individuals from accessing it. Vermin and unauthorized individuals will damage the unit. Follow the placement guidelines set forth in "Clearance Requirements".

Select a location for installing the outdoor unit that will meet the following conditions:

- Where there is enough strength to bear the weight of the unit.
- A location that allows for optimum air flow and is easily accessible for inspection, maintenance, and service.
- Where piping between the outdoor unit and indoor unit (and branch distribution unit[s], if Multi F MAX) is within allowable limits.
- Include space for drainage to ensure condensate flows properly out of the unit when it is in heating mode.  Avoid placing the outdoor unit in a low-lying area where water could accumulate.
- If the outdoor unit is installed in a highly humid environment (near an ocean, lake, etc.), ensure that the site is well-ventilated and has a lot of natural light (Example: Install on a rooftop).

Do Not's

- Where it will be subjected to direct thermal radiation from other heat sources, or an area that would expose the outdoor unit to heat or steam like discharge from boiler stacks, chimneys, steam relief ports, other air conditioning units, kitchen vents, plumbing vents, and other sources of extreme temperatures.
- Where high-frequency electrical noise / electromagnetic waves will affect operation.
- Where operating sound from the unit will disturb inhabitants of surrounding buildings.
- Where the unit will be exposed to direct, strong winds.
- Where the discharge of one outdoor unit will blow into the inlet side of an adjacent unit (when installing multiple outdoor units).

Outdoor Unit Condensate Drain Piping

Outdoor unit requires condensate drain piping. Condensate drain pipe is constructed with materials approved by local code. See pages 22 to 24 for information in reference to outdoor unit placement.

Planning for Snow and Ice

To ensure the outdoor unit operates properly, certain measures are required in locations where there is a possibility of heavy snowfall or severe windchill or cold:

1. Prepare for severe winter wind chills and heavy snowfall, even in areas of the country where these are unusual phenomena.
2. Position the outdoor unit so that its airflow fans are not buried by direct, heavy snowfall. If snow piles up and blocks the airflow, the system will malfunction.
3. Remove any snow that has accumulated four (4) inches or more on the top of the outdoor unit.
4. In climates that will experience significant snow buildup, mount the outdoor unit on a raised, field-provided platform or stand. The raised support platform must be high enough to allow the unit to remain above possible snow drifts, and must be higher than the maximum anticipated snowfall for the location.
5. Design the mounting base to prevent snow accumulation on the platform in front or back of the unit frame.
6. Provide a field fabricated snow protection hood to keep snow and ice and/or drifting snow from accumulating on the coil surfaces.
7. To prevent snow and heavy rain from entering the outdoor unit, install the condenser air inlets and outlets facing away from direct winds.
8. Consider tie-down requirements in case of high winds or where required by local codes.

Planning for Snow and Ice, continued.

⚠ CAUTION

When deciding on a location to place the outdoor unit, be sure to choose an area where run-off from defrost will not accumulate and freeze on sidewalks or driveways, which will create unsafe conditions. Properly install and insulate any drain hoses to prevent the hose from freezing, cracking, leaking, and causing unsafe conditions from frozen condensate.

Rooftop Installations

If the outdoor unit is installed on a roof structure, be sure to level the unit. Ensure the roof structure and anchoring method are adequate for the unit location. Consult local codes regarding rooftop mounting.

Oceanside Installation Precautions

- Install the outdoor unit on the side of the building opposite from direct ocean winds.
- Select a location with good drainage.
- Periodically clean dust or salt particles off of the heat exchanger with water.



Avoid installing the outdoor unit where it would be directly exposed to ocean winds.

Note:

Additional anti-corrosion treatment will need to be applied to the outdoor unit at oceanside locations.

Tie-Downs and Lightning Protection

Tie-Downs

- The strength of the roof must be checked before installing the outdoor units.
- If the installation site is prone to high winds or earthquakes, when installing on the wall or roof, securely anchor the mounting base using a field-provided tie-down configuration approved by a local professional engineer.
- The overall tie-down configuration must be approved by a local professional engineer. Always refer to local code when using a wind restraint system.

Lightning Protection

- To protect the outdoor unit from lightning, it must be placed within the specified lightning safety zone.

Table 7: Safety Zone Specifications.

| Building Height (feet) | 66 | 98 | 148 | 197 |
|------------------------|----|----|-----|-----|
| Protection Angle (°) | 55 | 45 | 35 | 25 |

- Power cable and communication cable must be installed five (5) feet away from lightning rod.
- A high-resistance ground system must be included to protect against induced lightning or indirect strike.

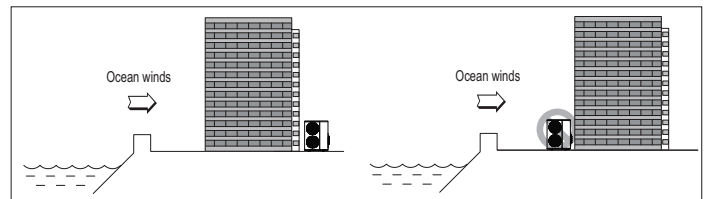
⚠ NOTE

If the building does not include lightning protection, the outdoor unit will be damaged from a lightning strike. Inform the customer of this possibility in advance.



Note:

Ocean winds will cause corrosion, particularly on the condenser and evaporator fins, which, in turn could cause product malfunction or inefficient performance.



If the outdoor unit must be placed in a location where it would be subjected to direct ocean winds, install a concrete windbreaker strong enough to block any winds. Windbreaker height and width must be more than 150% of the outdoor unit, and be installed at least 27-1/2 inches away from the outdoor unit to allow for airflow.

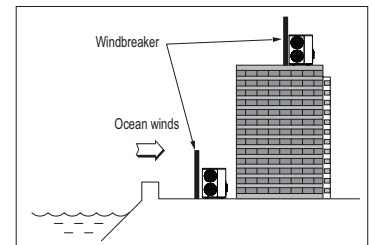
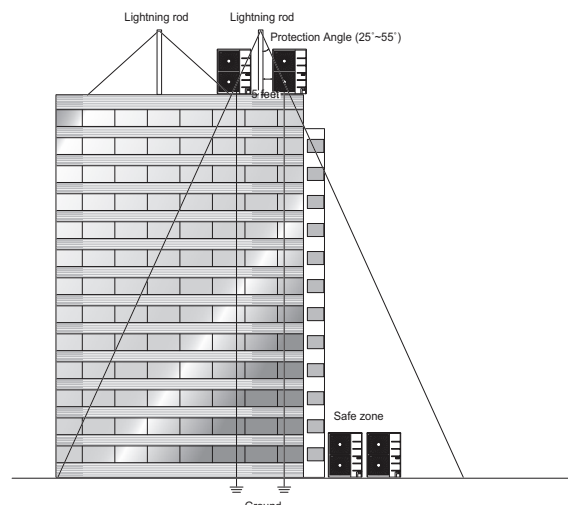


Figure 6: Lightning Protection Diagram.



PLACEMENT CONSIDERATIONS

MULTI F
MULTI F MAX

Selecting the Best Location for the Outdoor Unit

Minimum Allowable Clearance and Service Access Requirements

Proper clearance for the outdoor unit coil is critical for proper operation. When installing the outdoor unit, consider service, inlet and outlet, and minimum allowable space requirements as illustrated in the diagrams on the following pages.

- Include enough space for airflow and for service access. If installing multiple outdoor units, ⓧ avoid placing the units where the discharge of one unit will blow into the inlet side of an adjacent unit.
- If an awning is built over the unit to prevent direct sunlight or rain exposure, make sure that the discharge air of the outdoor unit isn't restricted.
- ⓧ No obstacles to air circulation around the unit; keep proper distances from ceilings, fences, floor, walls, etc. (Install a fence to prevent pests from damaging the unit or unauthorized individuals from accessing it.)

Multi F Outdoor Unit (18,000, 24,000, 30,000, and 36,000 Btu/h Capacities) Service Access and Allowable Clearances

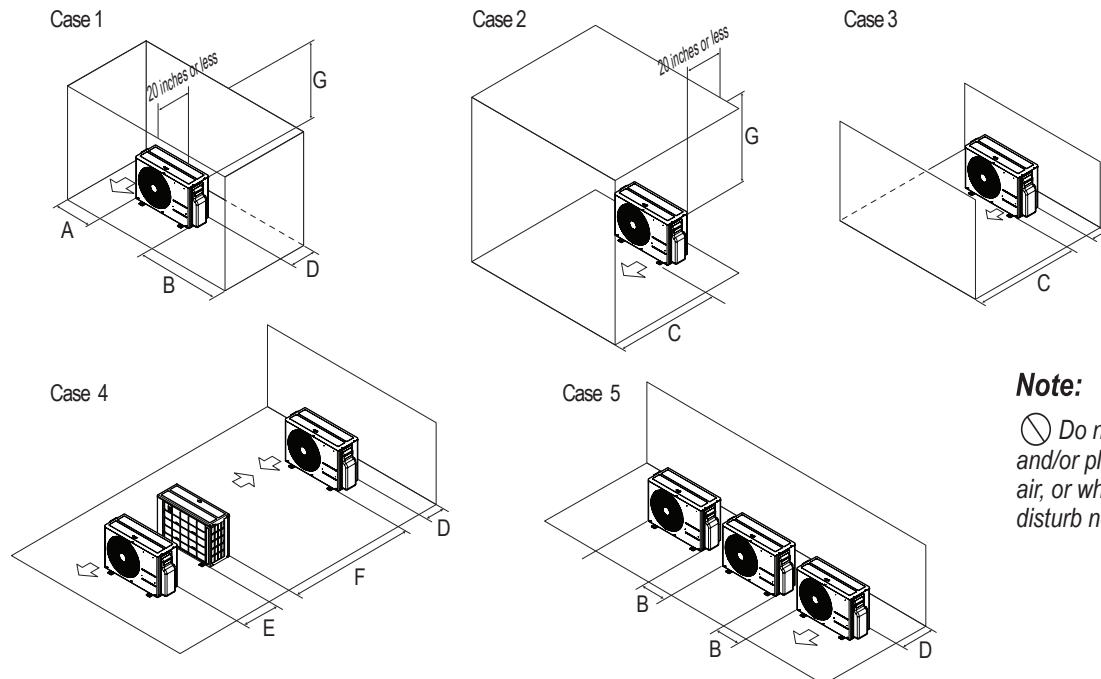
Specific clearance requirements in the diagram below are for 18,000, 24,000, 30,000, 36,000 Btu/h capacities. The figure below shows the overall minimum clearances that must be observed for safe operation and adequate airflow around the outdoor unit.

When placing the outdoor unit under an overhang, awning, sunroof or other "roof-like structure", observe the clearance requirements (as shown in Cases 1 and 2) for height in relation to the unit. To have successful service access to the outdoor unit, see the figure below for minimum spacing. When installing multiple outdoor units, see Cases 4 and 5 for correct spacing requirements.

Note:

If the outdoor unit is installed between standard and minimum clearances, capacity decreases approximately 10%.

Figure 7: Multi F 18,000, 24,000, 30,000, and 36,000 Btu/h Capacity Outdoor Unit Service Access and Allowable Clearances Diagram.



Note:

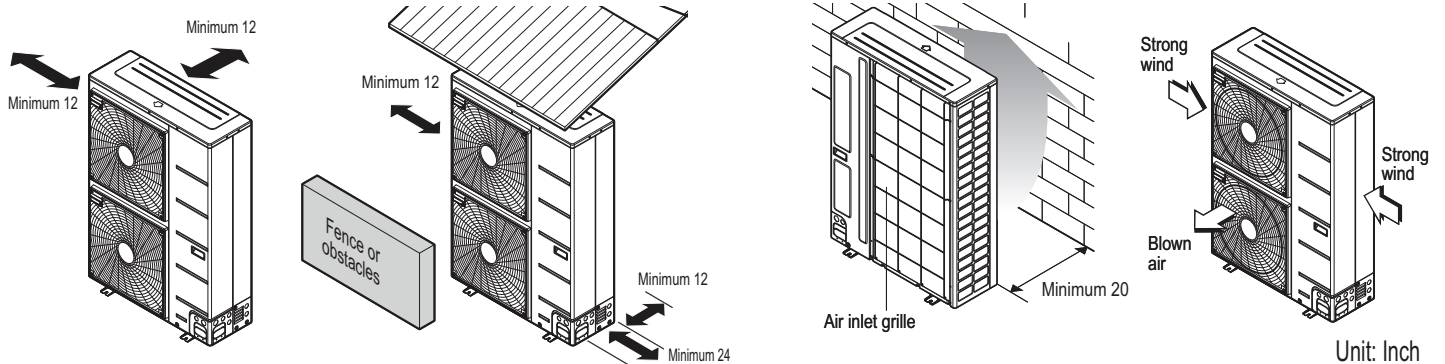
ⓧ Do not place the unit where animals and/or plants will be in the path of the warm air, or where the warm air and/or noise will disturb neighbors.

Table 8: Multi F 18,000, 24,000, 30,000, and 36,000 Btu/h Outdoor Unit Service Access and Allowable Clearances Diagram Legend.

| Unit: Inch | | A | B | C | D | E | F | G |
|------------|----------|----|----|----|----|----|----|----|
| Case 1 | Standard | 12 | 24 | - | 12 | - | - | - |
| | Minimum | 4 | 10 | - | 4 | - | - | 40 |
| Case 2 | Standard | - | - | 20 | - | - | - | - |
| | Minimum | - | - | 14 | - | - | - | 40 |
| Case 3 | Standard | - | - | 20 | 12 | - | - | - |
| | Minimum | - | - | 14 | 4 | - | - | - |
| Case 4 | Standard | - | - | - | 12 | 24 | - | - |
| | Minimum | - | - | - | 4 | 8 | 79 | - |
| Case 5 | Standard | - | 24 | - | 12 | - | - | - |
| | Minimum | - | 10 | - | 4 | - | - | - |

Multi F MAX Outdoor Unit (48,000, 54,000 and 60,000 Btu/h Capacity) Service Access and Allowable Clearances

When installing the outdoor unit, consider service, inlet, and outlet, and minimum allowable space requirements as illustrated in the following diagrams.



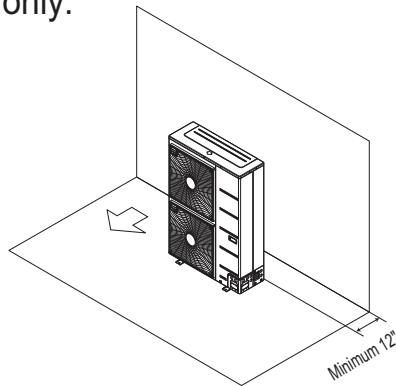
Ensure that the space at the back of the outdoor unit is a minimum of 12 inches, and include a minimum of 24 inches at the right side of the unit for service.

If the outdoor unit discharge side faces a wall, include a minimum of 20 inches between the outdoor unit and the wall. Install the outdoor unit so that the discharge port is set at a right angle to the wind direction.

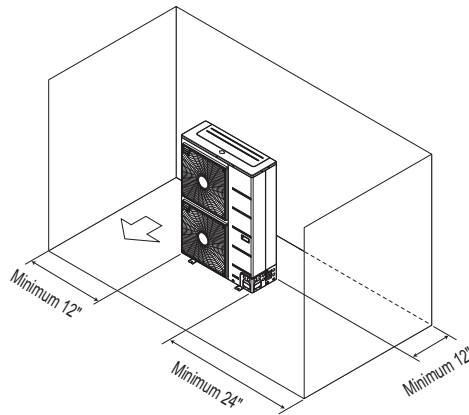
Unit: Inch

Clearance Requirements when Different Obstacles are Present (Unit: Inch).

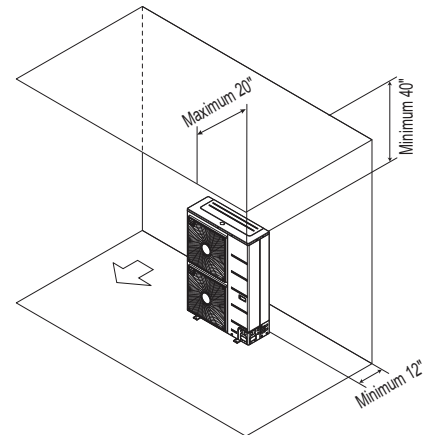
Obstacle on the suction side only.



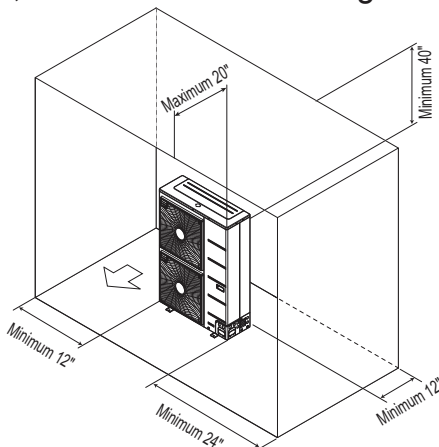
Obstacles on the suction side and on both left and right sides.



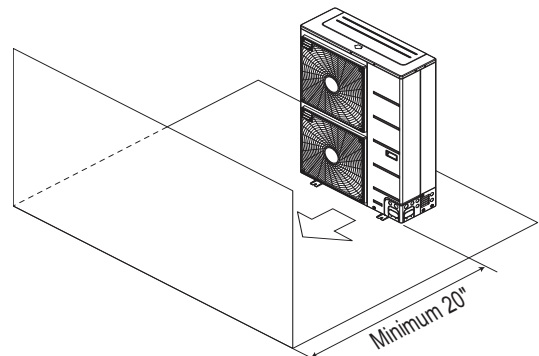
Obstacles above and on the air intake side.



Obstacles above, on the air intake side, and on both left and right sides.



Obstacle just on the air discharge side.



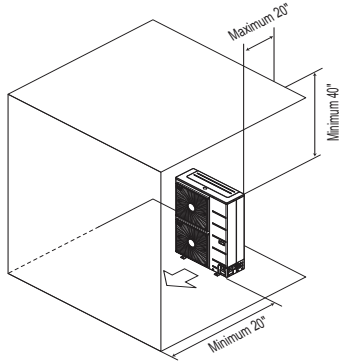
PLACEMENT CONSIDERATIONS

MULTI F
MULTI F MAX

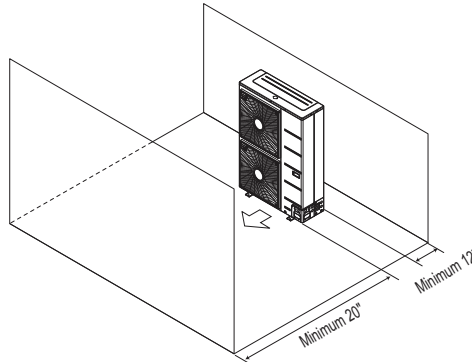
Selecting the Best Location for the Outdoor Unit

Clearance Requirements when Different Obstacles are Present, continued. (Unit: Inch)

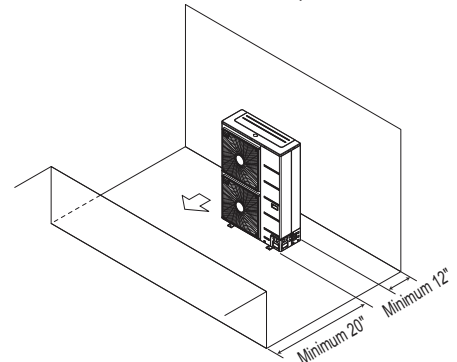
Obstacles above and on the air discharge side.



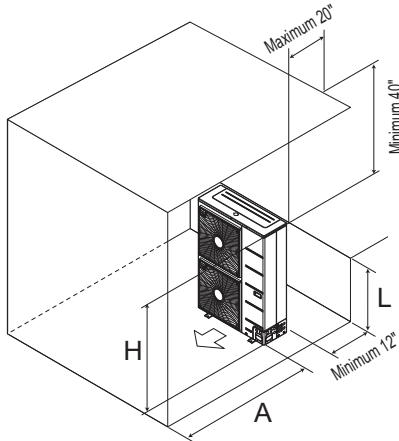
Where there are obstacles on both suction and discharge sides (discharge side obstacle is higher than the outdoor unit).



Where there are obstacles on both suction and discharge sides (discharge side obstacle is lower than the outdoor unit).



Where there are obstacles above, and on both suction and discharge sides (discharge side obstacle is higher than the outdoor unit).



Where there are obstacles above, and on both suction and discharge sides (discharge side obstacle is lower than the outdoor unit).

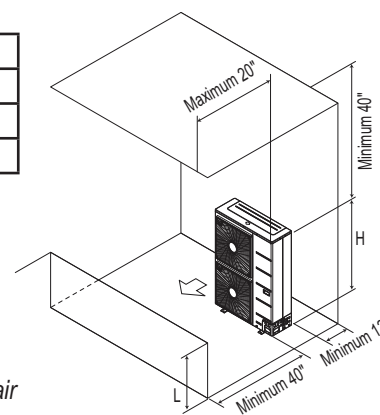


Table 9: Ratio among H, A, and L.

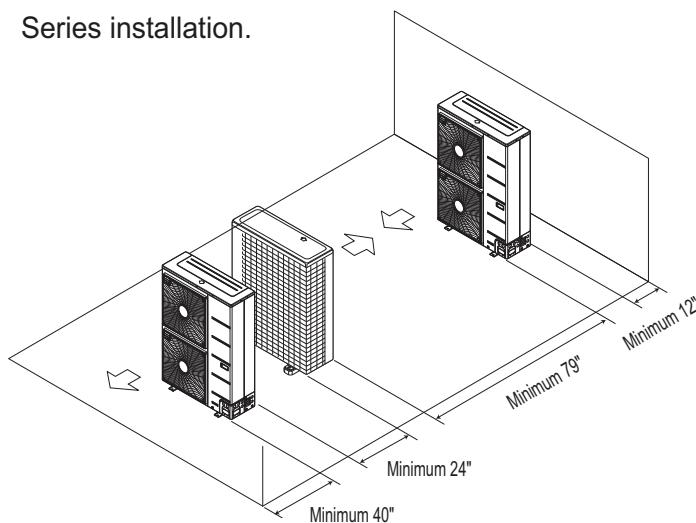
| | L | A |
|------------|--------------------------|-----------|
| $L \leq H$ | $0 < L \leq 1/2 H$ | 30 inches |
| | $1/2 H < L$ | 40 inches |
| $H < L$ | Set Stand as: $L \leq H$ | |

If a stand is necessary, it must be contained (not open frame) to prevent the discharge air from short cycling.

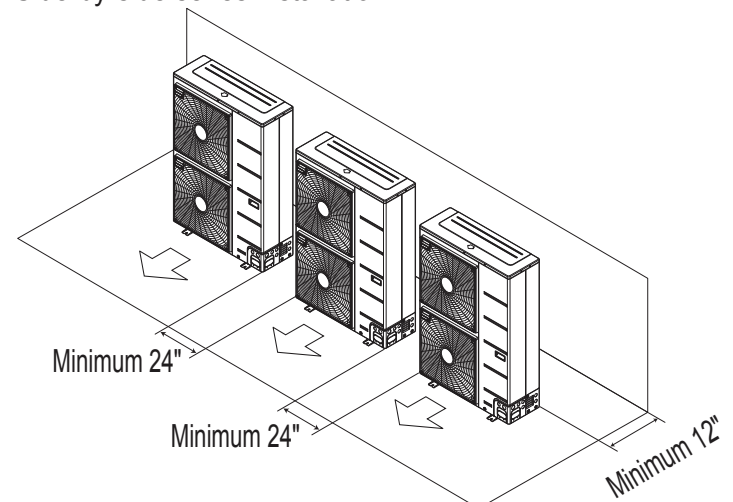
Note:

"L" must be lower than "H". If a stand is necessary, it must be contained (not open frame) to prevent the discharge air from short cycling.

Series installation.



Side-by-side series installation.



Installing Outdoor Units Indoors

LG Multi F / Multi F MAX outdoor units are engineered to be mounted outdoors and include technology designed to minimize the negative effects of winter weather's freezing rain, sleet, and snow. Some building projects, however, necessitate placing the HVAC outdoor units indoors:

- Lack of ground space.
- Lack of an appropriate outdoor location that meets system design requirements.
- When mounting on the roof is not an option due to a lack of roof space.
- Roof warranty will be voided if mechanical equipment is placed on the membrane.
- On retrofit projects, a former chiller / boiler / air handler equipment room, mechanical area, or penthouse already exists.
- To curtail the potential need for redundant zone heating devices such as wall-fin radiators or duct heaters.
- In extremely cold environments where there is a significant amount of run-time at temperatures well below freezing outside the outdoor unit ambient air temperature range published in this engineering manual.

Benefits of Installing Outdoor Units Indoors

- Shelters the outdoor unit from direct exposure to prevailing winds that decrease the heating capability of the outdoor unit.
- Protects equipment from freezing precipitation and/or potential ice build-up that could hinder unit operation.
- Maintains coil heat transfer efficiency by reducing the number of and shortening the cycle time for defrost operation.
- Easier maintenance and servicing during inclement weather.
- When mounted in a fully enclosed space, limiting the ambient air temperature will allow the Multi F / Multi F MAX system designer to eliminate oversizing.
- The outdoor unit to compensate for loss of capacity at low ambient temperatures.
- Will also curtail the need to provide inefficient redundant zone heating devices such as wall-fin radiators and second-stage ancillary heating devices.

Design Considerations Include:

- Enclosure types and elements such as louvers (see next page), rain hoods, dampers and controls, heating methods and sizing of heating devices.
- Heating strategies.
- Duct design.
- Condensate handling.

General Guidelines

- Follow ASHRAE 62.1 design guidelines.
- Depending on the project / application, a roof over the outdoor units in combination with a wind break will be all that is necessary.
- Consider the potential for snow accumulation near louvers / roof openings. Outside air intakes and discharge ducts/louvers must be engineered to clear anticipated snow accumulation levels by at least one (1) foot.
- In situations where operation is anticipated at temperatures of -13°F and lower, ancillary heat must be provided to heat the outdoor unit coils to assure continuous compressor operation and heating.

It will be necessary to use a field-fabricated air guide to prevent discharge air from short-cycling back to the coil inlet.

- Consider the direction of prevailing winds and opening placement. If possible, locate inlet openings upwind of discharge openings and other exhaust outlets.
- When inlet and outlet openings are placed on the same wall, minimum distance between the two openings must be approximately three (3) feet (minimum distance varies significantly with variations in outlet opening face velocity).
- If roof-mounted ventilation openings are used, strategically locate the inlet ventilation opening(s) upwind of the outlet opening(s).
- Discharge and supply ductwork must be designed to avoid weather related long periods of water entrainment and the potential for microbial growth.

PLACEMENT CONSIDERATIONS

MULTI F
MULTI F MAX

Selecting the Best Location for the Outdoor Unit

Provide a means to drain the condensate generated during heating mode and defrost cycle in addition to rainwater that infiltrates the inlet louver enclosed area.

- Install a field-provided drain pan under the outdoor units and provide a path to a nearby floor drain.
- If the ambient air temperature is expected to drop below 32°F in the enclosure, heat the bottom surface of the pan, drain line, and floor drain so that the condensate does not freeze before reaching the drain.

⚠ CAUTION

When deciding on a location to place the outdoor unit, be sure to choose an area where run-off from defrost will not accumulate and freeze on sidewalks or driveways which will create unsafe conditions.

Allow for ventilation intake and exhaust air based on maximum outdoor unit fan capacity.

- Select the size, type and orientation of architectural louvers with adequate “net free area” face velocity to ensure the total external static pressure from the outdoor unit fan does not exceed design limitations (see specification data tables).
- No obstructions must be placed in front of the louver that could hamper the free flow (throw) of air.
- Roof top openings and / or discharge and supply louvers must be equipped with screens to prevent bird and insect infiltration.

Note:

For louver recommendations, see below and on the next page.

As always, the best solution for each project balances acceptable heating performance (considering local weather conditions), capital costs, life cycle energy consumption, and limitations set forth by local building codes.

Louver Recommendations for Outdoor Unit Enclosure

1. Outdoor Unit Enclosure: Manual Door Open Type.
2. Louver Angle: No More Than 15° Horizontally.
3. Space Between Louvers: More than 4 inches (Recommend).
4. Louver Shape: Wing or Plane Type.

Note:

- Open Rate and Inlet must be taken into consideration when designing the louvered outdoor unit enclosure.
- Do not use “S” type louvers.

Note:

If the Louver Open Rate is Too Small

1. Noise can occur because of the increased air velocity passing through the louver blade.
2. Noise can occur from louver blade vibrations.
3. A drop in outdoor unit fan performance (excess static pressure can cause a drop in outdoor unit performance and heat exchanger efficiency).
4. If the louver open rate is too small or there is insufficient air flow exchange, the air conditioner might stop operating.

Figure 8: Louver Recommendations.

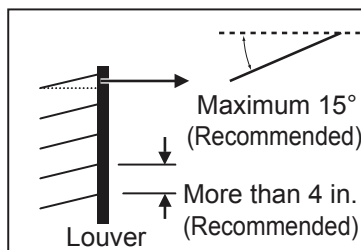
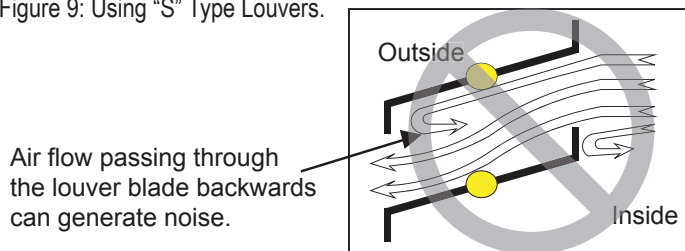
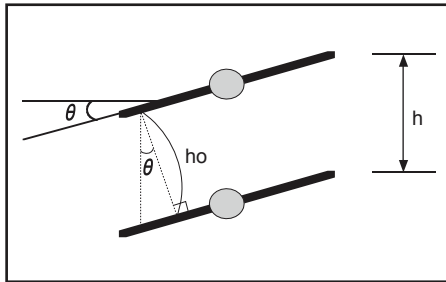


Figure 9: Using “S” Type Louvers.



Open Rate by Louver Radian

Figure 10: Open Rate by Louver Radian Formula.



$\theta \leq 15$
 $h_o = h * \text{COS } \theta$
 Total Area (A) = H * W
 Number of Open Spaces (N) = (Number of Louvers - 1)
 Effective Area (Af) = $h_o * W * N$
 Louver Open Rate (n) = Af / A

$\therefore Af = A * n$

Effective Cross Section Area

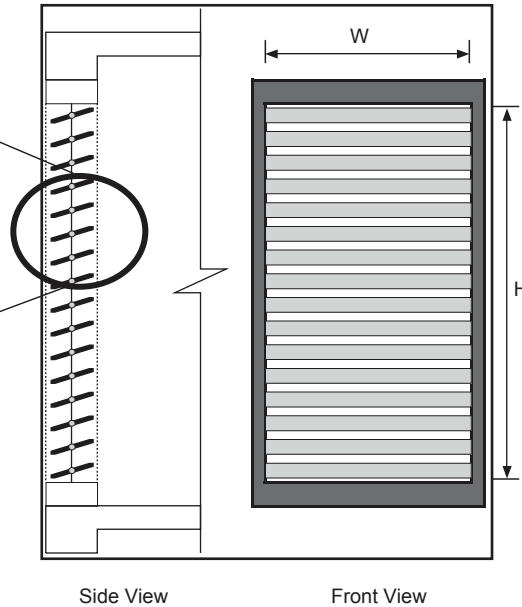
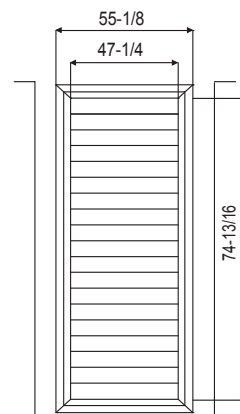


Figure 11: Example of Installing Outdoor Unit Indoors.

• Example: LMU363HV

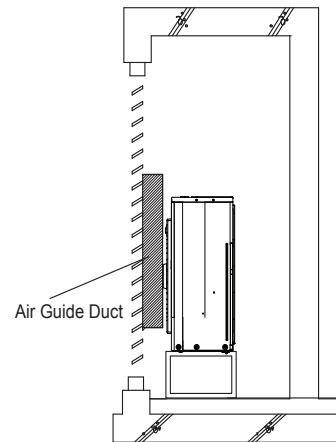
- Airflow Rate: 2,119 ft.³/min.
- Velocity of Outlet Air: 12.9 ft./s
- Velocity of Inlet Air: 6.5 ft./s
- Open Rate = 80% or More
 Open Rate = $\frac{\text{Effective Face Area (Af)}}{\text{Total Face Area (A)}}$
- Discharge Air Guide must be installed.

Louver Dimensions

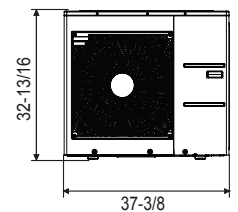


Unit: Inch

Air Guide Duct on Outdoor Unit



Outdoor Unit Dimensions



Formula

- Total Louver Dimension (Excluding Frame) (A) = 3.9 feet x 6.2 feet = 24.2 ft.²
- Louver Shield Dimension by Product (B) = 3.12 feet x 2.74 feet = 8.55 ft.²
- Inlet Louver Dimension (A - B) = 15.7 ft.²
- Equivalent Inlet Dimension (Open Rate 80%) = 15.7 ft.² x 0.8 = 12.56 ft.²
- Equivalent Inlet Air Volume = 12.56 ft.² x 6.5 ft./s x 60 sec./min. = 4,898 ft.³/min.
- Required Air Volume / Equivalent Volume = 4,898 ft.³/min. / 2,119 ft.³/min. = 231% (Within Allowable Limits)

PLACEMENT CONSIDERATIONS

MULTI F
MULTI F MAX

Selecting the Best Location for the Indoor Units / Branch Distribution Units

Selecting the Best Location for the Indoor Units

Note:

Select a location for installing the indoor units that will meet the following conditions:

- Within allowable parameters for proper connection to the outdoor unit (and branch distribution unit, if a Multi F MAX system).
- So that condensation drainage can be conveniently routed away.
- Include enough space around the indoor unit so that it is accessible for maintenance and service purposes.
- Where electrical noise / electromagnetic waves will not affect indoor unit operation. Maintain proper distances between the indoor units and electric wires, audio and visual appliances, breaker / circuit panels, etc. If the frequency signal of the appliance is unstable, then install the indoor unit a minimum of ten (10) feet away, and run the power and transmission cables through a conduit.
- An area that is level and with enough strength to bear the weight of the indoor unit(s).

Do Not's

- Install in an area with obstacles to air circulation around the unit; keep proper distances from ceilings, doorways, floor, walls, etc.
- Install in an area where operation sound will disturb occupants.
- Install in an area that exposes the indoor unit(s) to heat, water, steam, oil splattering or spray.

Note:

Indoor units (IDUs) must not be placed in an environment where the IDUs will be exposed to harmful volatile organic compounds (VOCs) or in environments where there is improper air make up or supply or inadequate ventilation. If there are concerns about VOCs in the environment where the IDUs are installed, proper air make up or supply and / or adequate ventilation must be provided. Additionally, in buildings where IDUs will be exposed to VOCs consider a factory-applied epoxy coating to the fan coils for each IDU.

For detailed placement considerations and installation requirements for indoor units, refer to its Indoor Unit Engineering and / or Installation Manuals.

Selecting the Best Location for the Branch Distribution (BD) Units

Note:

Branch distribution (BD) units are used only with Multi F MAX systems to distribute the refrigerant from the outdoor unit up to eight (8) indoor units.

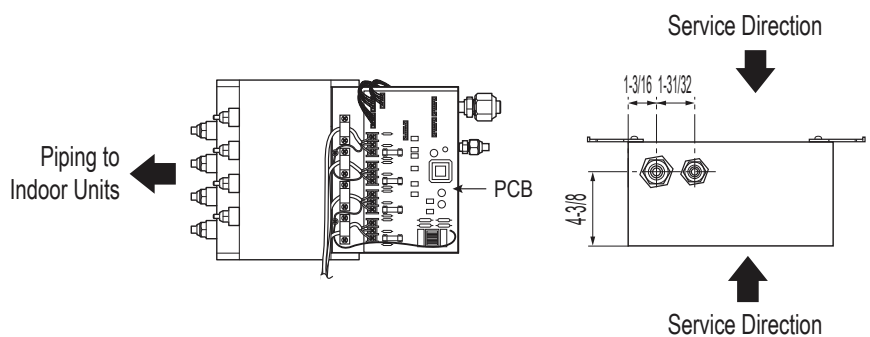
Select a location indoors that will meet the following conditions:

- Within allowable parameters for proper connection to the Multi F MAX outdoor unit and indoor unit(s); refrigerant piping and wire lengths must not exceed amounts specified by LG Electronics, U.S.A., Inc.
- Condensate drain piping is not required.
- Ensure there is enough space in the installation area for service purposes (minimum 24 inches); install the refrigerant piping and electrical wiring system in an easily accessible location.
- Level where there is enough strength to bear the weight of the branch distribution unit.

Do Not's

- Install the branch distribution unit in a location where it would be subjected to strong radiation heat from heat sources.
- Install in an installation environment where the branch distribution unit would be exposed to heat, water, steam, oil splattering or spray.
- Install the unit in a location where any sound it generates will disturb occupants in the surrounding rooms.
- Install in a location where there are obstacles to air circulation around the unit; keep proper distances from ceilings, doorways, floor, walls, etc.
- Install in an area where high-frequency electrical noise / electromagnetic waves will affect operation. Maintain proper distances between the branch distribution unit(s) and electric wires, audio and visual appliances, breaker / circuit panels, etc.

Figure 12: Branch Distribution Unit Key Components.



PLACEMENT CONSIDERATIONS

Selecting the Best Location for the Branch Distribution Units

A-C (and PMBD3640 D) Connections:

Liquid Pipe $\varnothing 1/4$

Gas Pipe $\varnothing 3/8$

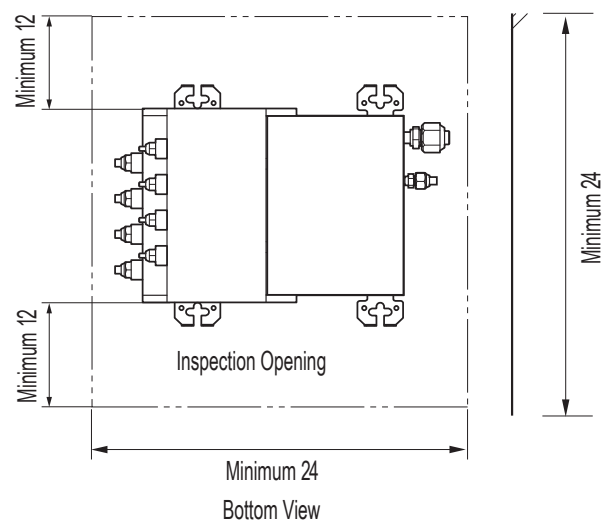
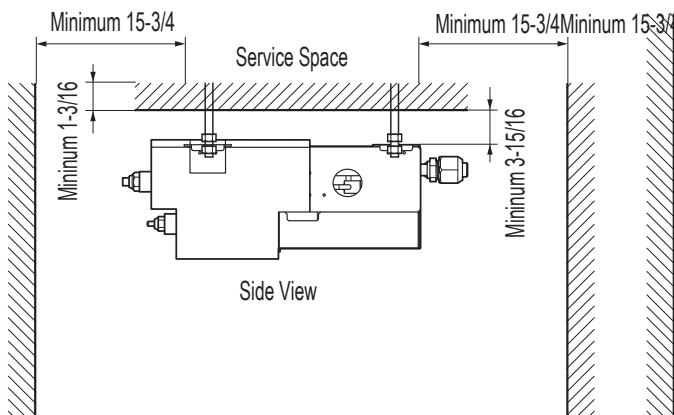
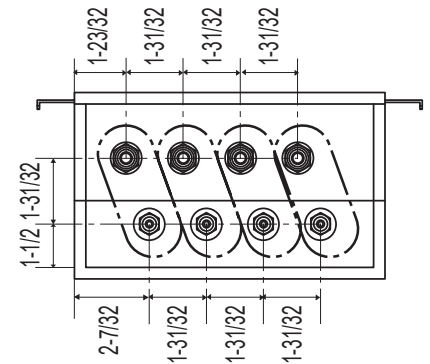
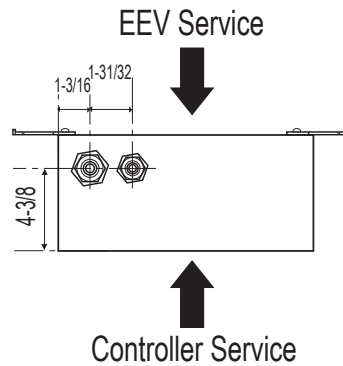
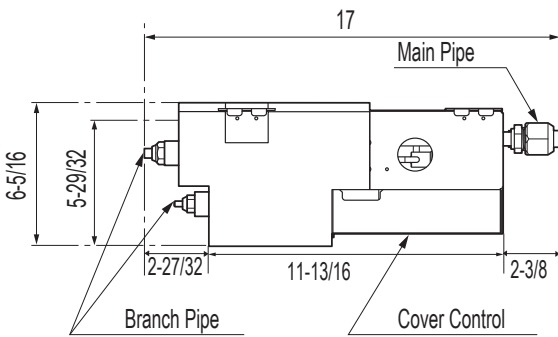
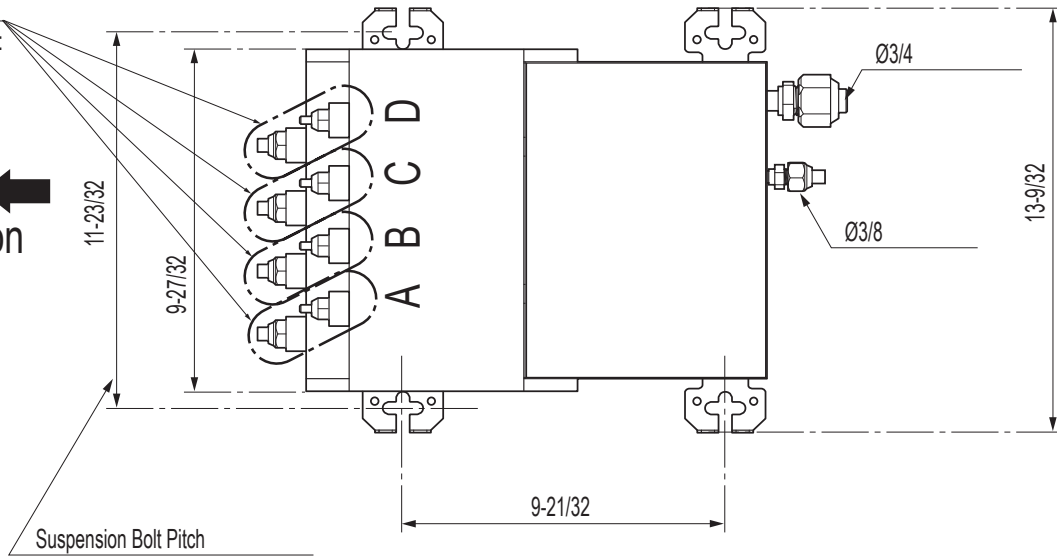
PMBD3641 D Connections:

Liquid Pipe $\varnothing 1/4$

Gas Pipe $\varnothing 1/2$

Unit: Inch

Indoor Unit
Piping Direction



Notes:

1. For PMBD3620 Unit, Ports A and B are Available.
2. For PMBD3630 Unit, Ports A, B, and C are Available.
3. For PMBD3640 and PMBD3641 Units, Ports A, B, C, and D are Available.

Installation

MOUNTING / ANCHORING THE OUTDOOR UNITS

MULTI F
MULTI F MAX

Mounting / Anchoring the Outdoor Unit General Specifications

- Tightly anchor the outdoor unit with a bolt and nut to a concrete or rigid platform.
- When installing on a wall (with field-supplied brackets), roof, or rooftop, securely anchor the mounting platform with nails and / or wiring, taking into consideration the possibility of strong winds or earthquakes.
- If installing the outdoor unit on the roof, check the strength of the roof.

Outdoor Unit Platform Concrete Specifications

- Concrete foundations must be made of one part cement, two parts sand, and four parts gravel.
- The surface of the foundation must be finished with mortar with rounded edges, and weatherproofed.
- See table and figures for height, width, etc., requirements.
- Include an area for drainage around the foundation to ensure condensate thoroughly drains away from the outdoor unit.

Figure 14: Close up of Bolt Attachment.

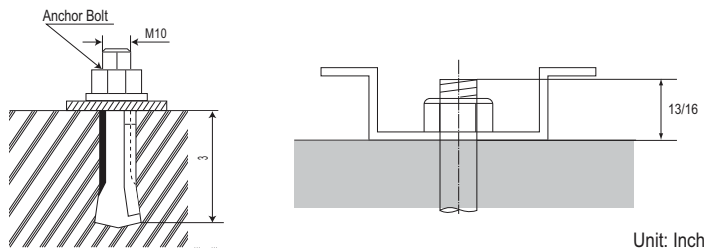


Figure 15: LMU183HV and LMU243HV Outdoor Units.

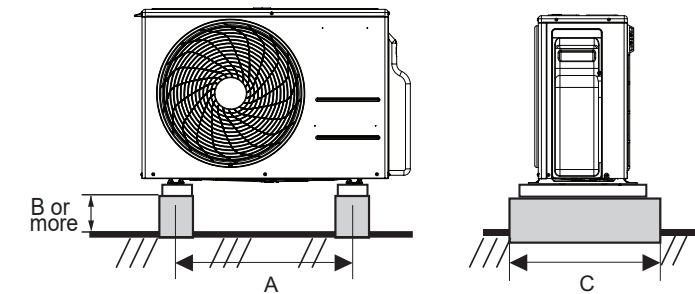


Figure 17: LMU481HV, LMU541HV Outdoor Units.

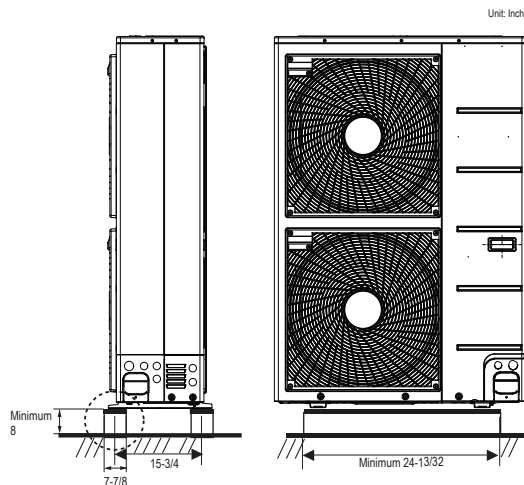


Table 10: Outdoor Unit Foundation Specifications.

| Outdoor Unit | Bolt Type | Concrete Height | Bolt Depth |
|--|-----------|--------------------------|--------------------------|
| LMU183HV, LMU243HV, LMU303HV, LMU363HV | M10-J | Minimum Four (4) Inches | Minimum Three (3) Inches |
| LMU481HV, LMU541HV | M10-J | Minimum Eight (8) Inches | |
| LMU601HV | M10-J | | |

Figure 16: LMU303HV and LMU363HV Outdoor Units.

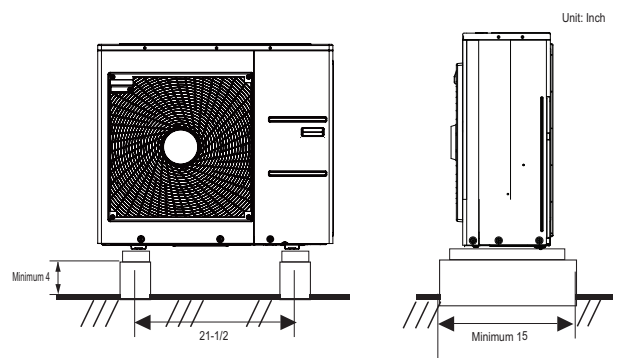


Figure 18: LMU601HV Outdoor Units.

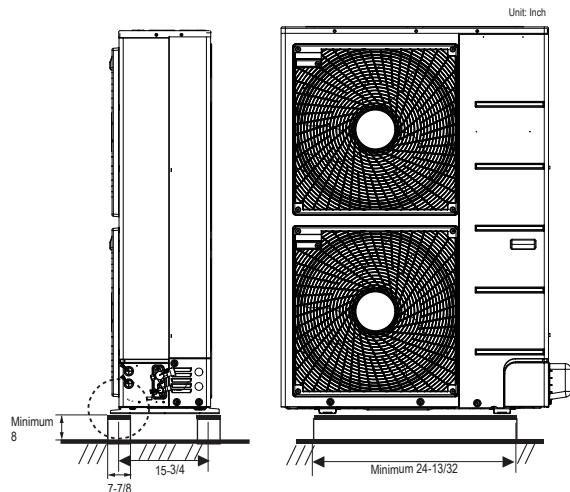
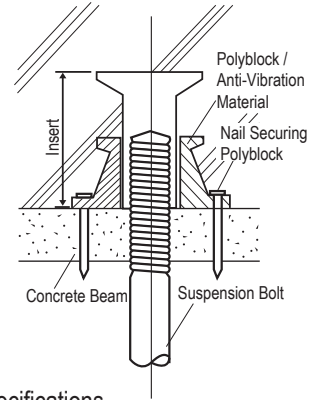


Figure 13: Example of Using an Insert for a Hole in a Reinforced Concrete Beam.

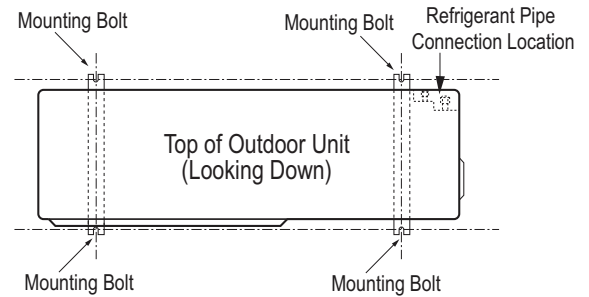


Mounting / Anchoring the Outdoor Unit General Specifications, continued.

Bolting the Outdoor Unit to the Platform Procedure

1. Ensure that the concrete platform will not degrade easily, and has enough strength to bear the weight of the unit.
2. Include an H-beam support. Firmly attach the corners, otherwise the support will bend.
3. Use a hexagon nut.
4. If there is a possibility of vibration from the outdoor unit transmitting to the building, add an anti-vibration material to the platform.
5. Include enough space around the concrete foundation for condensate drainage.
6. Seal all wiring and piping access holes with field-supplied sealing material to prevent animals and bugs from entering the unit.

Figure 20: Bolting the Outdoor Unit to the Platform (Piping Location Will Differ Depending on Outdoor Unit Model).



Branch Distribution Unit Orientation

Multi F MAX branch distribution (BD) units can be installed in a multitude of options to fit various building configurations and job or application requirements (suspended from the ceiling or mounted on the wall). The installation location of the PCB within the branch distribution unit can be changed for easier service access, depending on the branch distribution unit installation itself (see the wiring section for information). Branch distribution units include electronic expansion valves that properly seat only if the branch distribution unit is installed in an acceptable orientation. Installations with improper branch distribution unit orientation risk incomplete valve seating and system performance degradation from potential refrigerant leakage through the electronic expansion valve.

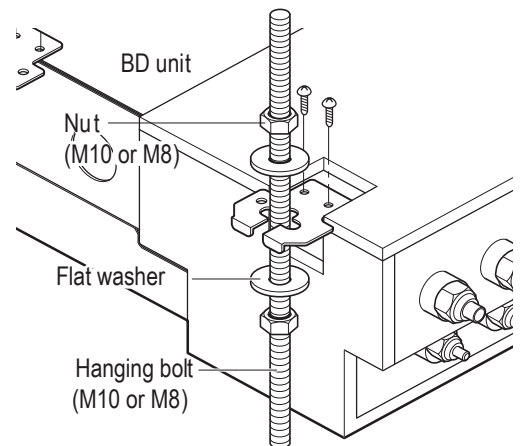
Note:

This material is for informational or educational purposes only. It is not intended to be a substitute for professional advice. Consult with your engineer or design professionals for specific applications to your system.

Ceiling Mount Installation - Hangers with Hanging Bolt

1. Drill four (4) holes in the ceiling, following the dimensions on the previous pages.
2. Attach the factory-supplied hangers with two (2) screws each at the designated four (4) areas on the frame of the branch distribution unit.
3. Install an anchor in the ceiling, and attach the hanging bolts to the ceiling.
4. Add nuts and washers to the hanging bolt as shown at right.
5. Hang the branch distribution unit on the hanging bolts (ceiling side up), and after checking for level (± 5 degrees), securely tighten all nuts.

Figure 19: Branch Distribution Ceiling Mount Installation.



Ceiling Mount Installation - Hangers Only

1. Attach the factory-supplied hangers with two (2) screws each at the designated four (4) areas on the frame of the branch distribution unit.
2. Install the branch distribution unit to the ceiling using two screws on each of the hangers as shown below. Unit must be ± 5 degrees of level.
3. Cover parts of the hanger holes with polyethylene foam insulation (to prevent condensation).

Note:

If a screw has been installed on the frame of the branch distribution unit and the screw has been removed, to prevent condensation, either re-install the screw or cover the open hole with aluminum tape.

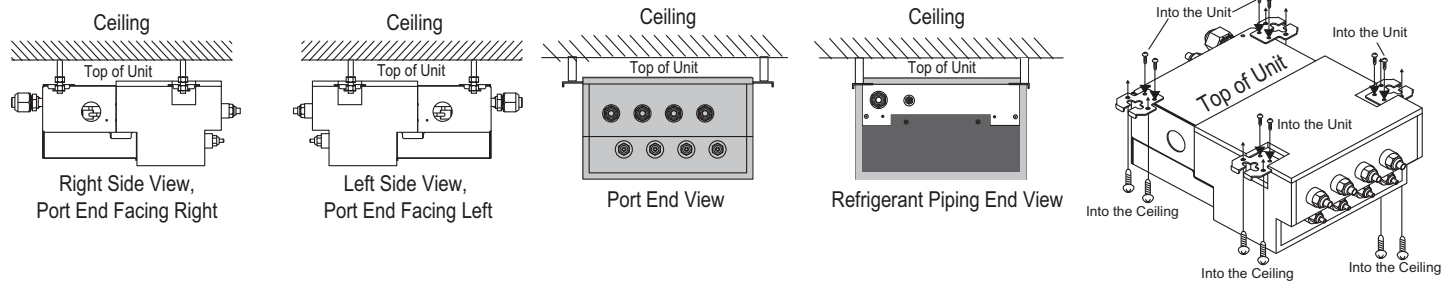
MOUNTING / ANCHORING THE BRANCH DISTRIBUTION UNITS

MULTI F
MULTI F MAX

Ceiling Mount Installation, continued.

Figure 21: Acceptable Branch Distribution Unit Ceiling Mount Orientations.

Ceiling Mounting Options



Wall Mount Installation - Hangers Only

1. Attach the factory-supplied hangers with two (2) screws each at the designated four (4) areas on the frame of the branch distribution unit.
2. Install the branch distribution unit to the wall using two screws on each of the hangers. Unit must be ± 5 degrees of level.
3. Cover parts of the hanger holes with polyethylene foam insulation (to prevent condensation).

Figure 22: Acceptable Branch Distribution Unit Orientation.

Wall Mounting Options

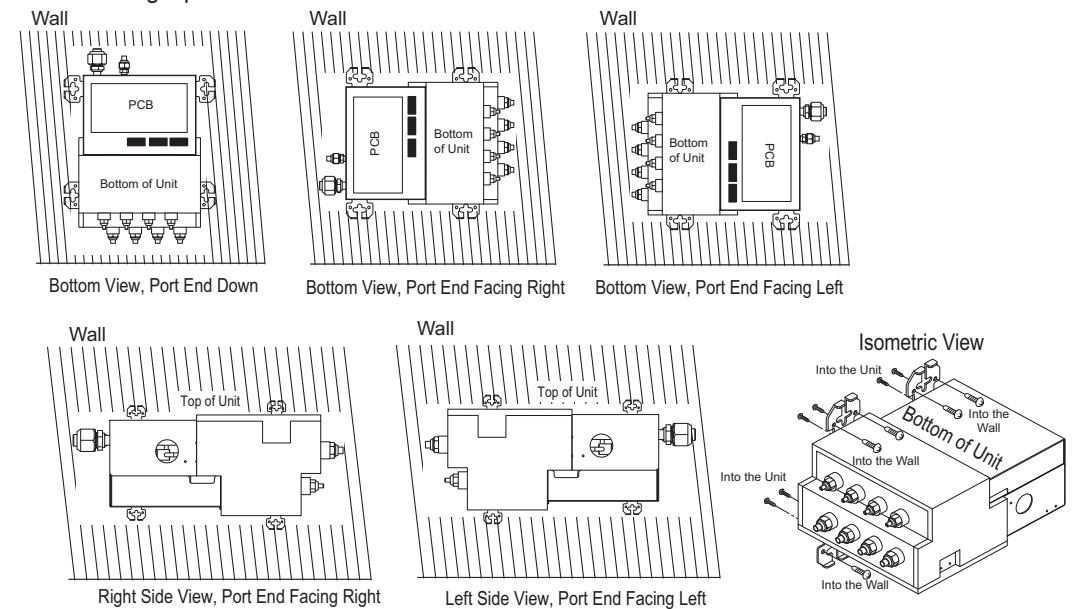
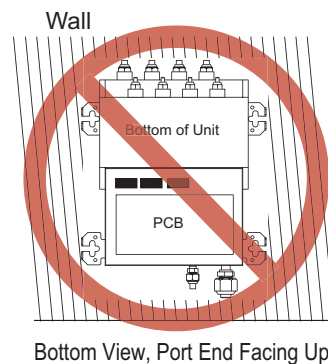


Figure 23: Unacceptable Branch Distribution Unit Wall Mount Orientations.



LG Air Conditioner Technical Solution (LATS) Software

A properly designed and installed refrigerant piping system is critical to the optimal performance of LG air-conditioning systems. To assist engineers, LG offers, free of charge, LG Air Conditioner Technical Solution (LATS) software—a total design solution for LG air conditioning systems.

Note:

To reduce the risk of designing an improper applied system or one that will not operate correctly, LG prefers that LATS software be used on all projects.

Formats

LATS is available to LG customers in three user interfaces: LATS HVAC, LATS CAD2, and LATS Revit. All three LATS formats are available through www.myLGHVAC.com, or contact an LG Sales Representative.

LATS HVAC is a Windows®-based application that aids engineers in designing LG Variable Refrigerant Flow (VRF), Multi F / Multi F MAX, Multi F / Multi F MAX with LGRED, Single-Zone, and Energy Recovery Ventilator (ERV) systems.

*Windows® is a registered mark of Microsoft® Corporation.

LATS CAD2 combines the LG LATS program with AutoCAD® software**. It permits engineers to layout and validate LG Multi V Variable Refrigerant Flow (VRF), Multi F / Multi F MAX, Multi F / Multi F MAX with LGRED, Single-Zone, and Energy Recovery Ventilator (ERV) systems directly into CAD drawings.

LATS Revit integrates the LG LATS program with Revit® software**. It permits engineers to layout and validate Multi V VRF systems directly into Revit drawings.

**AutoCAD® and Revit® are both registered marks of Autodesk, Inc.

Features

All LG product design criteria have been loaded into the program, making LATS simple to use: double click or drag and drop the component choices. Build systems in Tree Mode where the refrigerant system can be viewed. Switch to a Schematic diagram to see the electrical and communications wiring.

LATS software permits the user to input region data, indoor and outdoor design temperatures, modify humidity default values, zoning, specify type and size of outdoor units and indoor units, and input air flow and external static pressure (ESP) for ducted indoor units.

The program can also:

- Import building loads from a separate Excel file.
- Present options for outdoor unit auto selection.
- Automatically calculate component capacity based on design conditions for the chosen region.
- Verify if the height differences between the various system components are within system limits.
- Provide the correct size of each refrigerant piping segment and LG Y-Branches and Headers.
- Adjust overall piping system length when elbows are added.
- Check for component piping limitations and flag if any parameters are broken.
- Factor operation and capacity for defrost operation.
- Calculate refrigerant charge, noting any additional trim charge.
- Suggest accessories for indoor units and outdoor units.
- Run system simulation.

Note:

Features depend on which LATS program is being used, and the type of system being designed.

Figure 24: Example of LATS CAD2.



LG AIR CONDITIONER TECHNICAL SOLUTION (LATS)

MULTI F
MULTI F MAX

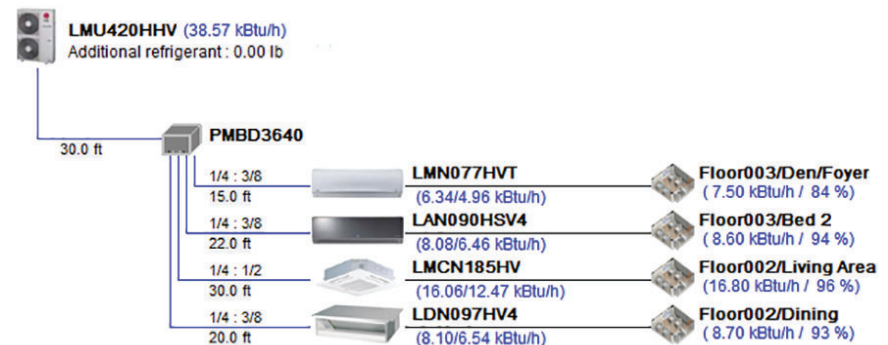
LATS Generates a Complete Project Report

LATS software also generates a report containing project design parameters, cooling and heating design data, system component performance, and capacity data. The report includes system combination ratio and refrigerant charge calculations; and provides detailed bill of material, including outdoor units, indoor units, control devices, accessories, refrigerant pipe sizes segregated by building, by system, by pipe size, and by pipe segments. LATS can generate an Excel GERP report that can imported into the LG SOPS pricing and ordering system.

Proper Design to Install Procedure

LG encourages a two report design-to-install-procedure. After the design engineer determines building / zone loads and other details, the engineer opens the LATS program and inputs the project's information. When the design is complete, the "Auto Piping" and "System Check" functions must be used to verify piping sizes, limitations, and if any design errors are present. If errors are found, engineers must adjust the design, and run Auto Piping and System Check again. When the design passes the checks, then the engineer prints out a project "Shop Drawing" (LATS Tree Diagram) and provides it to the installing contractor. The contractor must follow the LATS Tree Diagram when building the piping system, but oftentimes the design changes on the building site:

Figure 25: Example of a LATS Tree Diagram.



- Architect has changed location and/or purpose of room(s).
- Outdoor unit cannot be placed where originally intended.
- Structural elements prevent routing the piping as planned.
- Air conditioning system conflicts with other building systems (plumbing, gas lines, etc.).

The contractor must mark any deviation from the design on the Shop Drawing, including as-built straight lines and elbows. This "Mark Up" drawing must be returned to the design engineer or Rep, who must input contractor changes into the LATS file. (Copy the original LATS software file, save and rename as a separate file, and modify all piping lengths by double-clicking on each length and editing information.) Like the shop drawing, the Auto Piping and System Check must also be run on this new "As Built" drawing. The design engineer or Rep must then provide the final As Built file to the contractor. The Mark Up version must be compared to the As Built version for:

- Differences in pipe diameter(s). If incorrect diameters have been installed, the piping must be changed out. If pipe diameters have changed, check to see if Y-Branches will also need to be changed.
- Changes to outdoor unit and indoor unit capacities. Capacities changes will impact line length changes.
- Additional refrigerant charge quantity ("Trim Charge"). Trim charge will change if piping lengths and diameters change. The As Built version must reflect installed piping lengths to ensure correct trim charge.

All documents submitted by the contractor, as well as the Shop Drawing and the As Built Drawing files must be provided for commissioning purposes. Model and serial numbers for all system components must also be submitted. If the steps previously detailed are not followed, and all documents are not provided to the commissioning agent, the project runs the risk of not being commissioned and voiding any limited warranty LG offers on the equipment.

Note:

Contact your LG representative for the vest software program for your application.

Refrigerant Safety Standards

ASHRAE Standards 15 and 34 address refrigerant safety and the maximum allowable concentration of refrigerant in an occupied space. Refrigerant will dissipate into the atmosphere, but a certain volume of air is required to safely dissipate the refrigerant. For R410A refrigerant, the maximum allowable concentration of refrigerant is 26 lbs./1,000 cubic feet (Addendum L modified the RCL to 26) of occupied spaces. Buildings with 24-hour occupancy allow half of that concentration.

If a VRF system develops a refrigerant leak, the entire refrigerant charge of the system will dump into the area where the leak occurs. To meet ASHRAE Standards 15 and 34, the smallest room volume on the system must be calculated and compared to the maximum allowable concentration. If the concentration level is higher than allowed, the following are some design suggestions to eliminate the problem:

- Split dual-frame and triple-frame systems into single-frame systems that have lower refrigerant charges.
- Add transfer grilles in the ceiling or walls of the smaller rooms to increase the volume of the room.
- Remove the smallest space from the system and serve it with a smaller mini-split system.

Device Connection Limitations

- The minimum number of connected and operating indoor units to Multi F / Multi F MAX systems is two, taking into consideration the minimum combination ratio.
- The maximum number of indoor units for each Multi F / Multi F MAX heat pump systems is:

LMU183HV = 2 LMU243HV = 3 LMU303HV = 4 LMU363HV = 4 LMU481HV = 8 LMU541HV = 8 LMU601HV = 8

Note:

For allocated capacity information, see the combination tables in the "Multi F / Multi F MAX Combination Data Manual" on www.lghvac.com. For performance data, see "Multi F / Multi F MAX Performance Data Manual" on www.lghvac.com.

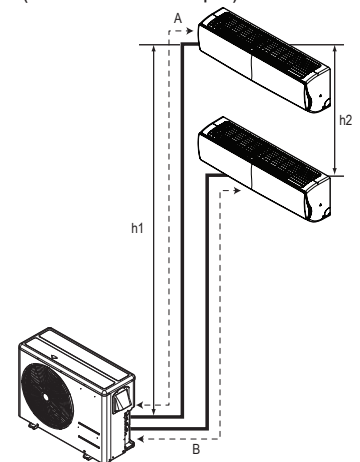
One of the most critical elements of Multi F and Multi F MAX systems is the refrigerant piping. See below and the following pages for pipe length limits that must be followed in the design of Multi F and Multi F MAX refrigerant pipe systems.

Multi F Outdoor Unit Piping Length and Elevation Limitations

Table 11: Multi F Refrigerant Piping System Limitations.

| Outdoor Unit Model (Btu/h) | LMU183HV 18,000 | LMU243HV 24,000 | LMU303HV 30,000 | LMU363HV 36,000 |
|---|--------------------|--------------------|--------------------|--------------------|
| Max. Total System Piping Length (ft.) | 164 A+B | 230.0 A+B+C | 246.1 A+B+C+D | 246.1 A+B+C+D |
| Min. Length for One Branch (ft.) | 9.8 | 9.8 | 9.8 | 9.8 |
| Max. Length for One Branch (ft.) | 82 | 82 | 82 | 82 |
| Max. Elevation Between Each Indoor Unit and Outdoor Unit (h1) | 49.2 | 49.2 | 49.2 | 49.2 |
| Max. Elevation Between Indoor Units (h2) | 24.6 | 24.6 | 24.6 | 24.6 |
| Max. Combination of Indoor Units | 24,000 | 33,000 | 40,000 | 48,000 |

Figure 26: Multi F Refrigerant Piping System Limitations (LMU183HV Example).



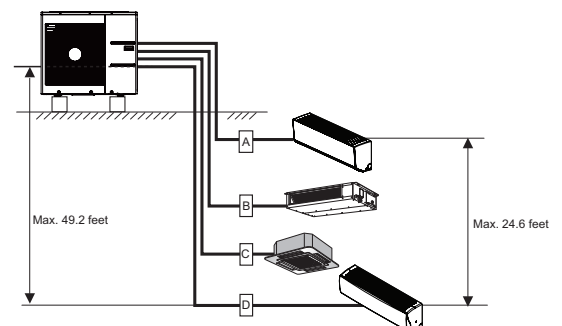
Multi F System Example

Example: LMU363HV outdoor unit with four (4) indoor units connected.

ODU: Outdoor Unit.

IDU: Indoor Unit.

A, B, C, D: Pipes from Outdoor Unit to Indoor Unit.



Multi F MAX Outdoor Unit Piping Length and Elevation Limitations

Table 13: Multi F MAX Refrigerant Piping System Limitations.

| | | | |
|--|--|-------------------------------------|-------------------|
| Pipe Length (ELF = Equivalent Length of pipe in Feet) | Total piping length ($\Sigma A + \Sigma B$) | | ≤475.7 feet |
| | Main pipe (Outdoor Unit to Branch Distribution Units: A) | Minimum for Each (A) Piping Segment | 16.4 feet |
| | | Maximum (ΣA) | ≤180.4 feet |
| | Total branch piping length (ΣB) | | ≤295.3 feet |
| | Branch pipe (Branch Distribution Units to Indoor Units: B) | Minimum | 16.4 feet |
| Maximum | | ≤49.2 feet | |
| Elevation Differential (All Elevation Limitations are Measured in Actual Feet) | If outdoor unit is above or below indoor unit (h_1) | | ≤98.4 feet |
| | Between the farthest two indoor units (h_2) | | ≤49.2 feet |
| | Between branch distribution unit and farthest connected indoor unit(s) (h_3) | | ≤32.8 feet |
| | Between branch distribution units (h_4) | | ≤49.2 feet |
| Max. Combination of IDUs | LMU481HV = 65,000 | LMU541HV = 73,000 | LMU601HV = 81,000 |

Figure 27: Multi F MAX Refrigerant Piping System Limitations.

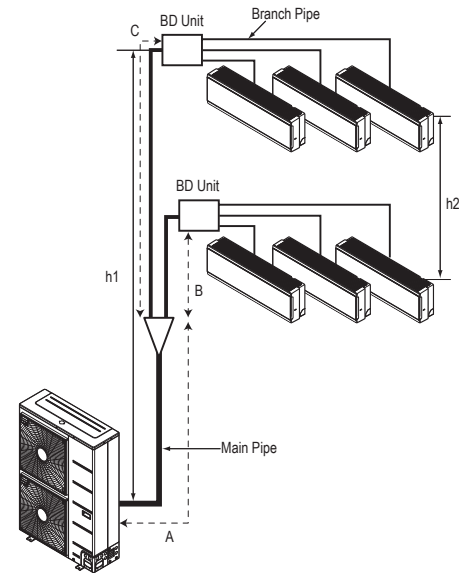


Table 14: Multi F MAX Piping Sizes.

| Piping | Main Pipe A (inch) | Branch Pipe B |
|--------|--------------------|---|
| Liquid | Ø3/8 | Depends on the size of the indoor unit piping |
| Gas | Ø3/4 | |

Multi F MAX System Example with Two Branch Distribution Units

Example: LMU541HV outdoor unit with seven (7) indoor units, and two (2) branch distribution units connected.

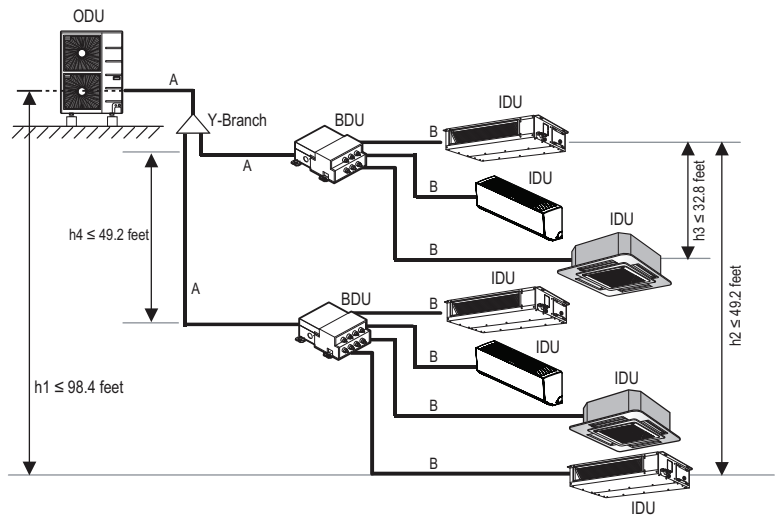
ODU: Outdoor Unit.

IDU: Indoor Unit.

BD: Branch Distribution Unit(s).

A: Main Pipe.

B: Branch Pipe (Branch Distribution Unit[s] to Indoor Unit[s]).



Using Refrigerant Components

Field-supplied elbows are allowed as long as they are designed for use with R410A refrigerant. The designer, however, must be cautious with the quantity and size of fittings used, and must account for the additional pressure losses in equivalent pipe length calculation for each branch. The equivalent pipe length of each elbow must be added to each pipe segment.

Table 12: Equivalent Piping Length for Elbows, Y-branches, and Branch Distribution Units.

| Component | Size (Inches) | | | | |
|---|---------------|-----|-----|-----|-----|
| | 1/4 | 3/8 | 1/2 | 5/8 | 3/4 |
| Elbow (ft.) | 0.5 | 0.6 | 0.7 | 0.8 | 1.2 |
| Y-Branch Kit (ft., Multi F MAX systems only) ¹ | 1.6 | | | | |
| Branch Distribution Unit (ft., Multi F MAX systems only) | 8.2 | | | | |

¹Kit contains two Y-branches: one for liquid and one for vapor.

Selecting Field-Supplied Copper Piping

Note:

Always follow local codes when selecting and installing copper pipe and piping system components.

Approved piping for use with LG HVAC products will be marked "R410 RATED" along the length of the pipe. Piping wall thickness must meet local code requirements and be approved for a maximum operating pressure of 551 psi. When bending piping, try to keep the number of bends to a minimum, and use the largest radii possible to reduce the equivalent length of installed piping; also, bending radii greater than ten (10) piping diameters can minimize pressure drop. Be sure no traps or sags are present.

For Multi-Zone Split Systems

Use ACR copper piping rated at the system working pressure (rated for R410A refrigerant).

Note:

Always properly support the piping as per the instructions on page 43.

Table 15: ACR Rated Copper Tubing Material.

| | |
|------------------|---------------------------------|
| Type | Seamless Phosphorous Deoxidized |
| Class | UNS C12200 DHP |
| Straight Lengths | H58 Temper |
| Coils | O60 Temper |

Table 16: ACR Rated Piping Wall Thicknesses.

| OD (in) | 1/4 | 3/8 | 1/2 | 5/8 | 3/4 | 7/8 | 1-1/8 | 1-3/8 | 1-5/8 |
|--------------------------|-----------------------------------|--------|------|-----------------------------------|------|------|-------|-------|-------|
| Material | Rigid or Soft ACR Rated for R410A | | | Rigid or Soft ACR Rated for R410A | | | | | |
| Min. Bend Radius (in) | 0.563 | 0.9375 | 1.5 | 2.25 | 3.0 | 3.0 | 3.5 | 4.0 | 4.5 |
| Min. Wall Thickness (in) | 0.03 | 0.03 | 0.03 | 0.03 | 0.03 | 0.03 | 0.03 | 0.04 | 0.050 |

Table 17: ACR Copper Tubing Dimensions and Physical Characteristics¹⁻³.

| Nominal Pipe Outside Diameter (in) | Actual Outside Diameter (in) | Tempered (Hard Drawn) | | | Annealed (Soft) | | |
|------------------------------------|------------------------------|-----------------------------|----------------|------------------------|-----------------------------|----------------|------------------------|
| | | Nominal Wall Thickness (in) | Weight (lb/ft) | Cubic ft per Linear ft | Nominal Wall Thickness (in) | Weight (lb/ft) | Cubic ft per Linear ft |
| 1/4 | 0.250 | -- | -- | -- | 0.030 | 0.081 | 0.00020 |
| 3/8 | 0.375 | 0.030 | 0.126 | 0.00054 | 0.032 | 0.134 | 0.00053 |
| 1/2 | 0.500 | 0.035 | 0.198 | 0.00101 | 0.032 | 0.182 | 0.00103 |
| 5/8 | 0.625 | 0.040 | 0.285 | 0.00162 | 0.035 | 0.251 | 0.00168 |
| 3/4 | 0.750 | 0.042 | 0.362 | 0.00242 | 0.042 | 0.362 | 0.00242 |
| 7/8 | 0.875 | 0.045 | 0.455 | 0.00336 | 0.045 | 0.455 | 0.00336 |
| 1-1/8 | 1.125 | 0.050 | 0.655 | 0.00573 | 0.050 | 0.655 | 0.00573 |
| 1-3/8 | 1.375 | 0.055 | 0.884 | 0.00875 | 0.055 | 0.884 | 0.00875 |
| 1-5/8 | 1.625 | 0.060 | 1.14 | 0.0124 | 0.060 | 1.14 | 0.0124 |

¹All dimensions provided are in accordance with ASTM B280 – Standard.

²Design pressure = 551 psig.

³The Copper Tube Handbook, 2016, Copper Development Association Inc., 260 Madison Avenue, New York, NY 10016.

Note:

- Commercially available piping often contains dust and other materials. Always blow it clean with a dry nitrogen.
- Prevent dust, water or other contaminants from entering the piping during installation.

Copper Expansion and Contraction

Under normal operating conditions, the vapor pipe temperature of a Multi F system can vary as much as 180°F. With this large variance in pipe temperature, the designer must consider pipe expansion and contraction to avoid pipe and fitting fatigue failures.

Refrigerant pipe along with the insulation jacket form a cohesive unit that expands and contracts together. During system operation, thermal heat transfer occurs between the pipe and the surrounding insulation.

If the pipe is mounted in free air space, no natural restriction to movement is present if mounting clamps are properly spaced and installed. When the refrigerant pipe is mounted underground in a utility duct stacked among other pipes, natural restriction to linear movement is present. In extreme cases, the restrictive force of surface friction between insulating jackets could become so great that natural expansion ceases and the pipe is “fixed” in place. In this situation, opposing force caused by change in refrigerant fluid/vapor temperature can lead to pipe/fitting stress failure.

The refrigerant pipe support system must be engineered to allow free expansion to occur. When a segment of pipe is mounted between two fixed points, provisions must be provided to allow pipe expansion to naturally occur. The most common method is the inclusion of expansion Loop or U-bends mounted in the horizontal plane. When expansion loops are placed in a vertical riser, the loop is to be formed in a horizontal fashion resulting in a torsional movement during expansion and contraction. Each segment of pipe has a natural fixed point where no movement occurs. This fixed point is located at the center point of the segment assuming the entire pipe is insulated in a similar fashion. The natural fixed point of the pipe segment is typically where the expansion Loop or U-bend must be. Linear pipe expansion can be calculated using the following formula:

$$LE = C \times L \times (T_r - T_a) \times 12$$

| | | |
|-------|---|--|
| LE | = | Anticipated linear tubing expansion (in.) |
| C | = | Constant (For copper = 9.2×10^{-6} in./in.°F) |
| L | = | Length of pipe (ft.) |
| T_r | = | Refrigerant pipe temperature (°F) |
| T_a | = | Ambient air temperature (°F) |
| 12 | = | Inches to feet conversion (12 in./ft.) |

1. From the table “Linear Thermal Expansion of Copper Tubing in Inches,” find the row corresponding with the actual length of the straight pipe segment.
2. Estimate the minimum and maximum temperature of the pipe. Typical pipe temperature change ranges: High Pressure Vapor: ambient temperature to 215°F; Low Pressure Vapor: ambient to 35°F; Liquid pipe: ambient, 80°F, 110°F. Choose the two most extreme. In the column showing the minimum pipe temperature, look up the anticipated expansion distance. Do the same for the maximum pipe temperature.
3. Calculate the difference in the two expansion distance values. The result will be the anticipated change in pipe length.

General Example:

A system is installed and the design shows that there is a 100 foot straight segment of tubing between a Y-branch and a branch distribution unit. The system operates 24 hours per day. In heating, this pipe transports hot gas vapor to the indoor units at 120°F. In cooling, the same tube is a suction line returning refrigerant vapor to the outdoor unit at 40°F. Look up the copper tubing expansion at each temperature and calculate the difference.

Vapor Line

Transporting Hot Vapor: 100 ft. pipe at 120°F = 1.40 in.
Transporting Suction Vapor: 100 ft. pipe at 40°F = 0.40 in.
Anticipated Change in Length: 1.40 in. – 0.40 in. = 1.00 in.

Liquid Line

The liquid temperature remains relatively the same temperature; only the direction of flow will reverse. Therefore, no significant change in length of the liquid line is anticipated.

When creating an expansion joint, the joint depth must be a minimum of two times the joint width. Although different types of expansion arrangements are available, the data for correctly sizing an expansion loop is provided in the table “Coiled Expansion Loops and Offsets (Plan View).” Use soft copper with long radius bends on longer runs or long radius elbows for shorter pipe segments. Using the anticipated linear expansion (LE) distance calculated, look up the Expansion Loop or U-bend minimum design dimensions. If other types of expansion joints are chosen, design per ASTM B-88 Standards.

To find the anticipated expansion value:

1. From the table below, find the row corresponding with the actual feet of the straight pipe segment.
2. Estimate the minimum and maximum temperature of the pipe.
3. In the column showing the minimum pipe temperature, look up the anticipated expansion distance corresponding to the segment length. Do the same for the maximum pipe temperature.
4. Calculate the difference in the two expansion distance values. The result will be the change in pipe length.

Table 18: Linear Thermal Expansion of Copper Tubing in Inches.

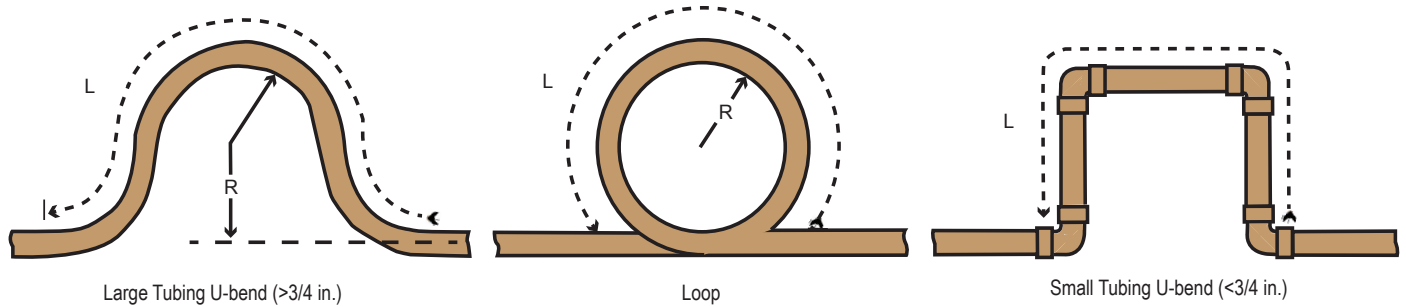
| Pipe Length ¹ | Fluid Temperature °F | | | | | | | | | | | | | | | | | | | |
|--------------------------|----------------------|------|------|------|------|------|------|------|------|------|------|------|------|------|------|------|------|------|------|------|
| | 35° | 40° | 45° | 50° | 55° | 60° | 65° | 70° | 75° | 80° | 85° | 90° | 95° | 100° | 105° | 110° | 115° | 120° | 125° | 130° |
| 10 | 0.04 | 0.04 | 0.05 | 0.06 | 0.06 | 0.07 | 0.08 | 0.08 | 0.09 | 0.09 | 0.10 | 0.10 | 0.11 | 0.11 | 0.11 | 0.12 | 0.13 | 0.14 | 0.15 | 0.15 |
| 20 | 0.08 | 0.08 | 0.10 | 0.12 | 0.13 | 0.14 | 0.15 | 0.16 | 0.17 | 0.18 | 0.19 | 0.20 | 0.21 | 0.22 | 0.22 | 0.23 | 0.26 | 0.28 | 0.29 | 0.30 |
| 30 | 0.12 | 0.12 | 0.15 | 0.18 | 0.20 | 0.21 | 0.23 | 0.24 | 0.26 | 0.27 | 0.29 | 0.30 | 0.32 | 0.33 | 0.32 | 0.35 | 0.39 | 0.42 | 0.44 | 0.45 |
| 40 | 0.16 | 0.16 | 0.20 | 0.24 | 0.26 | 0.28 | 0.30 | 0.32 | 0.34 | 0.36 | 0.38 | 0.40 | 0.42 | 0.44 | 0.43 | 0.46 | 0.52 | 0.56 | 0.58 | 0.60 |
| 50 | 0.20 | 0.20 | 0.25 | 0.30 | 0.33 | 0.35 | 0.38 | 0.40 | 0.43 | 0.45 | 0.48 | 0.50 | 0.53 | 0.55 | 0.54 | 0.58 | 0.65 | 0.70 | 0.73 | 0.75 |
| 60 | 0.24 | 0.24 | 0.30 | 0.36 | 0.39 | 0.42 | 0.45 | 0.48 | 0.51 | 0.54 | 0.57 | 0.60 | 0.63 | 0.66 | 0.65 | 0.69 | 0.78 | 0.84 | 0.87 | 0.90 |
| 70 | 0.28 | 0.28 | 0.35 | 0.42 | 0.46 | 0.49 | 0.53 | 0.56 | 0.60 | 0.63 | 0.67 | 0.70 | 0.74 | 0.77 | 0.76 | 0.81 | 0.91 | 0.98 | 1.02 | 1.05 |
| 80 | 0.32 | 0.32 | 0.40 | 0.48 | 0.52 | 0.56 | 0.60 | 0.64 | 0.68 | 0.72 | 0.76 | 0.80 | 0.84 | 0.88 | 0.86 | 0.92 | 1.04 | 1.12 | 1.16 | 1.20 |
| 90 | 0.36 | 0.36 | 0.45 | 0.54 | 0.59 | 0.63 | 0.68 | 0.72 | 0.77 | 0.81 | 0.86 | 0.90 | 0.95 | 0.99 | 0.97 | 1.04 | 1.17 | 1.26 | 1.31 | 1.35 |
| 100 | 0.40 | 0.40 | 0.50 | 0.60 | 0.65 | 0.70 | 0.75 | 0.80 | 0.85 | 0.90 | 0.95 | 1.00 | 1.05 | 1.10 | 1.08 | 1.15 | 1.30 | 1.40 | 1.45 | 1.50 |
| 120 | 0.48 | 0.48 | 0.60 | 0.72 | 0.78 | 0.84 | 0.90 | 0.96 | 1.02 | 1.08 | 1.14 | 1.20 | 1.26 | 1.32 | 1.30 | 1.38 | 1.56 | 1.68 | 1.74 | 1.80 |
| 140 | 0.56 | 0.56 | 0.70 | 0.84 | 0.91 | 0.98 | 1.05 | 1.12 | 1.19 | 1.26 | 1.33 | 1.40 | 1.47 | 1.54 | 1.51 | 1.61 | 1.82 | 1.96 | 2.03 | 2.10 |
| 160 | 0.64 | 0.64 | 0.80 | 0.96 | 1.04 | 1.12 | 1.20 | 1.28 | 1.36 | 1.44 | 1.52 | 1.60 | 1.68 | 1.76 | 1.73 | 1.84 | 2.08 | 2.24 | 2.32 | 2.40 |
| 180 | 0.72 | 0.72 | 0.90 | 1.08 | 1.17 | 1.26 | 1.35 | 1.44 | 1.53 | 1.62 | 1.71 | 1.80 | 1.89 | 1.98 | 1.94 | 2.07 | 2.34 | 2.52 | 2.61 | 2.70 |
| 200 | 0.80 | 0.80 | 1.00 | 1.20 | 1.30 | 1.40 | 1.50 | 1.60 | 1.70 | 1.80 | 1.90 | 2.00 | 2.10 | 2.20 | 2.16 | 2.30 | 2.60 | 2.80 | 2.90 | 3.00 |
| 220 | 0.88 | 0.88 | 1.10 | 1.32 | 1.43 | 1.54 | 1.65 | 1.76 | 1.87 | 1.98 | 2.09 | 2.20 | 2.31 | 2.42 | 2.38 | 2.53 | 2.86 | 3.08 | 3.19 | 3.30 |
| 240 | 0.96 | 0.96 | 1.20 | 1.44 | 1.56 | 1.68 | 1.80 | 1.92 | 2.04 | 2.16 | 2.28 | 2.40 | 2.52 | 2.64 | 2.59 | 2.76 | 3.12 | 3.36 | 3.48 | 3.60 |
| 260 | 1.04 | 1.04 | 1.30 | 1.56 | 1.69 | 1.82 | 1.95 | 2.08 | 2.21 | 2.34 | 2.47 | 2.60 | 2.73 | 2.86 | 2.81 | 2.99 | 3.38 | 3.64 | 3.77 | 3.90 |
| 280 | 1.12 | 1.12 | 1.40 | 1.68 | 1.82 | 1.96 | 2.10 | 2.24 | 2.38 | 2.52 | 2.66 | 2.80 | 2.94 | 3.08 | 3.02 | 3.22 | 3.64 | 3.92 | 4.06 | 4.20 |
| 300 | 1.20 | 1.20 | 1.50 | 1.80 | 1.95 | 2.10 | 2.25 | 2.40 | 2.55 | 2.70 | 2.85 | 3.00 | 3.15 | 3.30 | 3.24 | 3.45 | 3.90 | 4.20 | 4.35 | 4.50 |
| 320 | 1.28 | 1.28 | 1.60 | 1.92 | 2.08 | 2.24 | 2.40 | 2.56 | 2.72 | 2.88 | 3.04 | 3.20 | 3.36 | 3.52 | 3.46 | 3.68 | 4.16 | 4.48 | 4.64 | 4.80 |
| 340 | 1.36 | 1.36 | 1.70 | 2.04 | 2.21 | 2.38 | 2.55 | 2.72 | 2.89 | 3.06 | 3.23 | 3.40 | 3.57 | 3.74 | 3.67 | 3.91 | 4.42 | 4.76 | 4.93 | 5.10 |
| 360 | 1.44 | 1.44 | 1.80 | 2.16 | 2.34 | 2.52 | 2.70 | 2.88 | 3.06 | 3.24 | 3.42 | 3.60 | 3.78 | 3.96 | 3.89 | 4.14 | 4.68 | 5.04 | 5.22 | 5.40 |
| 380 | 1.52 | 1.52 | 1.90 | 2.28 | 2.47 | 2.66 | 2.85 | 3.04 | 3.23 | 3.42 | 3.61 | 3.80 | 3.99 | 4.18 | 4.10 | 4.37 | 4.94 | 5.32 | 5.51 | 5.70 |
| 400 | 1.60 | 1.60 | 2.00 | 2.40 | 2.60 | 2.80 | 3.00 | 3.20 | 3.40 | 3.60 | 3.80 | 4.00 | 4.20 | 4.40 | 4.32 | 4.60 | 5.20 | 5.60 | 5.80 | 6.00 |
| 420 | 1.68 | 1.68 | 2.10 | 2.52 | 2.73 | 2.94 | 3.15 | 3.36 | 3.57 | 3.78 | 3.99 | 4.20 | 4.41 | 4.62 | 4.54 | 4.83 | 5.46 | 5.88 | 6.09 | 6.30 |
| 440 | 1.76 | 1.76 | 2.20 | 2.64 | 2.86 | 3.08 | 3.30 | 3.52 | 3.74 | 3.96 | 4.18 | 4.40 | 4.62 | 4.84 | 4.75 | 5.06 | 5.72 | 6.16 | 6.38 | 6.60 |
| 460 | 1.84 | 1.84 | 2.30 | 2.76 | 2.99 | 3.22 | 3.45 | 3.68 | 3.91 | 4.14 | 4.37 | 4.60 | 4.83 | 5.06 | 4.97 | 5.29 | 5.98 | 6.44 | 6.67 | 6.90 |
| 480 | 1.92 | 1.92 | 2.40 | 2.88 | 3.12 | 3.36 | 3.60 | 3.84 | 4.08 | 4.32 | 4.56 | 4.80 | 5.04 | 5.28 | 5.18 | 5.52 | 6.24 | 6.72 | 6.96 | 7.20 |
| 500 | 2.00 | 2.00 | 2.50 | 3.00 | 3.25 | 3.50 | 3.75 | 4.00 | 4.25 | 4.50 | 4.75 | 5.00 | 5.25 | 5.50 | 5.40 | 5.75 | 6.50 | 7.00 | 7.25 | 7.50 |

¹Pipe length baseline temperature = 0°F. "Expansion of Carbon, Copper and Stainless Steel Pipe," *The Engineers' Toolbox*, www.engineeringtoolbox.com.

COPPER EXPANSION AND CONTRACTION

MULTI F
MULTI F MAX

Figure 28: Coiled Expansion Loops and Offsets (Plan View).



Note:

All expansion loops and offsets must be installed in the horizontal plane to prevent the possibility of trapping oil. Loops and offsets in vertical risers must also be installed in a horizontal plane.

Table 19: Radii of Coiled Expansion Loops and Developed Lengths of Expansion Offsets.

| Anticipated Linear Expansion (LE) (in.) | | Nominal Tube Size (OD) inches | | | | | | |
|---|----------------|-------------------------------|-----|-----|-----|-----|-------|-------|
| | | 1/4 | 3/8 | 1/2 | 3/4 | 1 | 1-1/4 | 1-1/2 |
| 1/2 | R ¹ | 6 | 7 | 8 | 9 | 11 | 12 | 13 |
| | L ² | 38 | 44 | 50 | 59 | 67 | 74 | 80 |
| 1 | R ¹ | 9 | 10 | 11 | 13 | 15 | 17 | 18 |
| | L ² | 54 | 63 | 70 | 83 | 94 | 104 | 113 |
| 1-1/2 | R ¹ | 11 | 12 | 14 | 16 | 18 | 20 | 22 |
| | L ² | 66 | 77 | 86 | 101 | 115 | 127 | 138 |
| 2 | R ¹ | 12 | 14 | 16 | 19 | 21 | 23 | 25 |
| | L ² | 77 | 89 | 99 | 117 | 133 | 147 | 160 |
| 2-1/2 | R ¹ | 14 | 16 | 18 | 21 | 24 | 26 | 29 |
| | L ² | 86 | 99 | 111 | 131 | 149 | 165 | 179 |
| 3 | R ¹ | 15 | 17 | 19 | 23 | 26 | 29 | 31 |
| | L ² | 94 | 109 | 122 | 143 | 163 | 180 | 196 |
| 3-1/2 | R ¹ | 16 | 19 | 21 | 25 | 28 | 31 | 34 |
| | L ² | 102 | 117 | 131 | 155 | 176 | 195 | 212 |
| 4 | R ¹ | 17 | 20 | 22 | 26 | 30 | 33 | 36 |
| | L ² | 109 | 126 | 140 | 166 | 188 | 208 | 226 |

¹R = Centerline Length of Pipe.

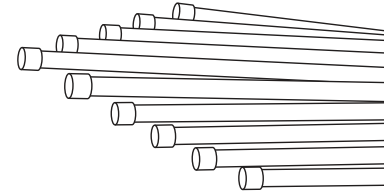
²L = Centerline Minimum Radius (inches).

Piping Handling

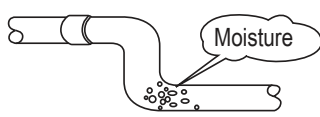
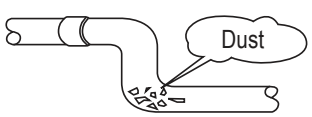
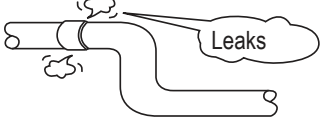
Pipes used for the refrigerant piping system must include the specified thickness, and the interior must be clean.

While handling and storing, do not bend or damage the pipes, and take care not to contaminate the interior with dust, moisture, etc.

Keep Pipes Capped While Storing.



Keep refrigerant pipe dry, clean, and airtight.

| | Dry | Clean | Airtight |
|--------------------------|---|---|--|
| | No moisture should be inside the piping.  | No dust should be inside the piping.  | No leaks should occur.  |
| Possible Problems | <ul style="list-style-type: none"> - Significant hydrolysis of refrigerant oil. - Refrigerant oil degradation. - Poor insulation of the compressor. - System does not operate properly. - EEVs, capillary tubes are clogged. | <ul style="list-style-type: none"> - Refrigerant oil degradation. - Poor insulation of the compressor. - System does not operate properly. - EEVs and capillary tubes become clogged. | <ul style="list-style-type: none"> - Refrigerant gas leaks / shortages. - Refrigerant oil degradation. - Poor insulation of the compressor. - System does not operate properly. |
| Solutions | <ul style="list-style-type: none"> - Remove moisture from the piping. - Piping ends should remain capped until connections are complete. - Do not install piping on a rainy day. - Connect piping properly at the unit's side. - Remove caps only after the piping is cut, the burrs are removed, and after passing the piping through the walls. - Evacuate system to a maximum of 500 microns and insure the vacuum holds at that level for 1 hour. | <ul style="list-style-type: none"> - Remove dust from the piping. - Piping ends should remain capped until connections are complete. - Connect piping properly at the side of the unit. - Remove caps only after the piping is cut and burrs are removed. - Retain the cap on the piping when passing it through walls, etc. | <ul style="list-style-type: none"> - Test system for air tightness. - Perform brazing procedures that comply with all applicable standards. - Perform flaring procedures that comply with all applicable standards. - Perform flanging procedures that comply with all applicable standards. - Ensure that refrigerant lines are pressure tested to 550 psig and hold for 24 hours. |

Proper system operation depends on the installer using utmost care while assembling the piping system. The following pages are an overview of best practices when installing the refrigerant piping system.

Note:

LG Electronics U.S.A., Inc., is not responsible for any piping calculations, refrigerant leaks, degradation of performance, any other potential problems or damages caused by the interconnecting piping, their joint connections, isolation valves, or introduced debris inside the piping system.

⊘ No Pipe Size Substitutions

Use only the pipe size selected by the LATS HVAC pipe system design software. Using a different size is prohibited and will result in a system malfunction or failure to work at all.

⊘ No In-line Refrigeration Components

Components such as oil traps, solenoid valves, filter-driers, sight glasses, tee fittings, and other after-market accessories are ⊘ not permitted on the refrigerant piping system between the outdoor units and the indoor / heat recovery units. LG HVAC systems are provided with redundant systems that make sure oil is properly returned to the compressor. Sight-glasses and solenoid valves will cause vapor to form in the liquid stream. Over time, driers will deteriorate and introduce debris into the system. The designer and installer must verify the refrigerant piping system is free of traps, sagging pipes, sight glasses, filter driers, etc.

Field-Provided Isolation Ball Valves

LG maintains a neutral position on using isolation valves in LG HVAC refrigerant piping systems. LG does not endorse any manufacturer of isolation valves. It is recognized that installing isolation valves will simplify future maintenance requirements, and, if used, considerations must be taken including, but not limited to, the following:

- Pressure drops for any component used, including isolation valves, must be known in equivalent pipe length and calculated into the total and segment equivalent piping lengths and compared to product design limitations.
- In all cases, materials must be suitable for the application and any applicable codes, including, but not limited to, diameter and wall thickness continuity per ACR standards.

Failure to do so will cause significant performance degradation. Proper leak checks must be performed. Using isolation valves does not automatically void any LG product warranty, however, a limited warranty will be voided in whole or part must any field supplied accessory fail in any way that causes product failure.

Using Elbows

Field-supplied elbows are allowed if they are long radius and designed for use with R410A refrigerant. The designer and installer, however, must be cautious with the quantity and size of fittings used, and must account for the additional pressure losses in equivalent pipe length calculation for each branch. The equivalent pipe length of each elbow must be added to each pipe segment in the LATS program.

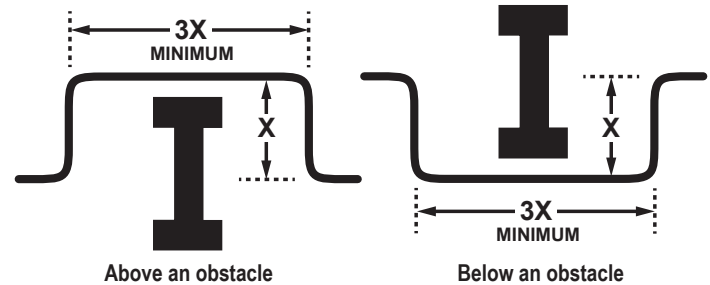
Pipe Bends

When bending soft copper, use long radius bends. Refer to the “Radii of Coiled Expansion Loops and Developed Lengths of Expansion Offsets” table for minimum radius specifications.

Obstacles


When an obstacle, such as an I-beam or concrete T, is in the path of the planned refrigerant pipe run, it is best practice to route the pipe over the obstacle. If adequate space is not available to route the insulated pipe over the obstacle, then route the pipe under the obstacle. In either case, it is imperative the length of the horizontal section of pipe above or below the obstacle be a minimum of three (3) times the longest vertical rise (or fall) at either end of the segment.

Figure 29: Installing Piping Above and Below an Obstacle.



Pipe Supports

A properly installed pipe system must be adequately supported to avoid pipe sagging. Sagging pipes become oil traps that lead to equipment malfunction.

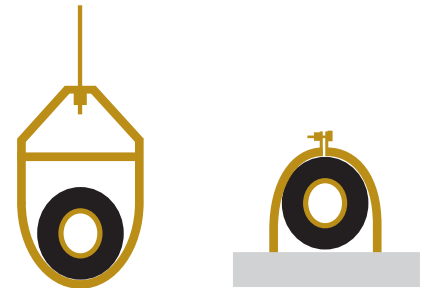
Pipe supports must  never touch the pipe wall; supports must be installed outside (around) the primary pipe insulation jacket. Insulate the pipe first because pipe supports must be installed outside (around) the primary pipe insulation jacket. Clevis hangers must be used with shields between the hangers and insulation. Field provided pipe supports must be designed to meet local codes. If allowed by code, use fiber straps or split-ring hangers suspended from the ceiling on all-thread rods (fiber straps or split ring hangers can be used as long as they do not compress the pipe insulation). Place a second layer of insulation over the pipe insulation jacket to prevent chafing and compression of the primary insulation in the confines of the support clamp.

A properly installed pipe system will have sufficient supports to avoid pipes from sagging during the life of the system. As necessary, place supports closer for segments where potential sagging could occur. Maximum spacing of pipe supports must meet local codes. If local codes do not specify pipe support spacing, pipe must be supported:

- Maximum of five (5) feet on center for straight segments of pipe up to 3/4 inches outside diameter size.
- Maximum of six (6) feet on center for pipe up to one (1) inch outside diameter size.
- Maximum of eight (8) feet on center for pipe up to two (2) inches outside diameter size.

Wherever the pipe changes direction, place a hanger within twelve (12) inches on one side and within twelve (12) to nineteen (19) inches of the bend on the other side. Support piping at indoor units, Y-branch, and Header fittings as shown.

Figure 30: Pipe Hanger Details.



Note:

Use a 4" + long sheet curved sheet metal saddles between hanger bracket and insulation to promote linear expansion/contraction.

Figure 31: Typical Pipe Support Location—Change in Pipe Direction.

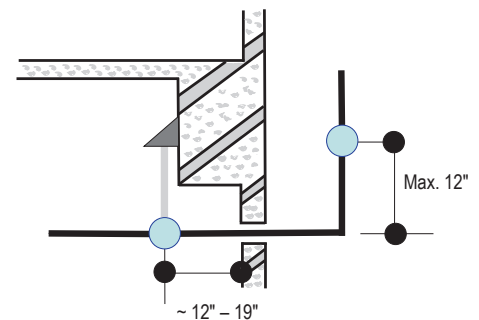


Figure 32: Pipe Support at Indoor Unit.

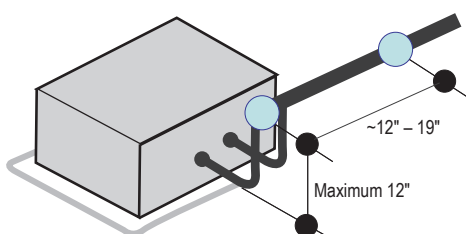


Figure 33: Pipe Support at Y-branch Fitting.

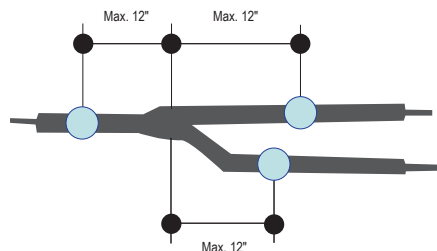
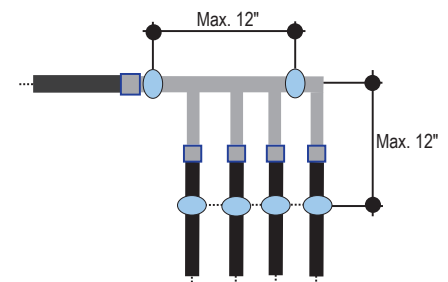


Figure 34: Pipe Support at Header Fitting.



Examples of Supports

Figure 35: U-Bolt Support with Insulation.

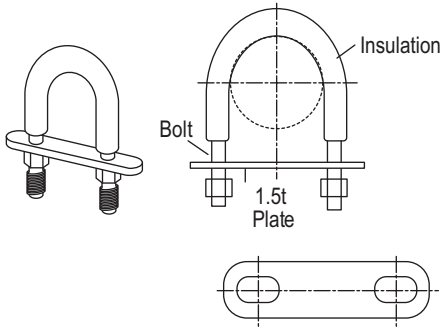


Figure 36: O-Ring Support with Insulation.

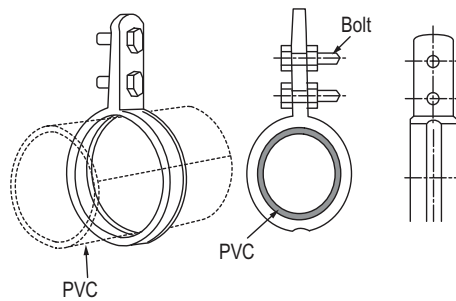
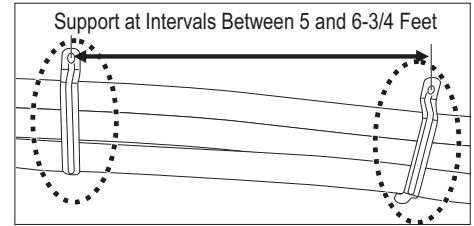


Figure 37: Saddle-Type Support.



Do not compress the insulation with the saddle-type support. If the insulation is compressed, it will tear open and allow condensation to generate during product operation.

Figure 38: U-Bolt Support with an Insulated Pipe.

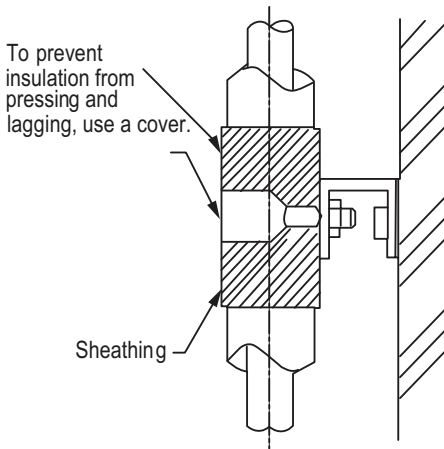


Figure 39: O-Ring Band Support with an Insulated Pipe.

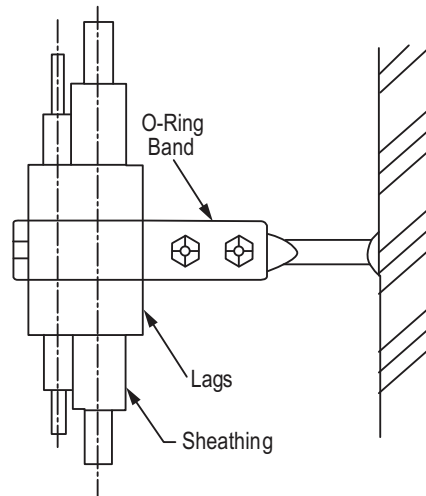


Figure 40: One-Point Down-Stop Support (>441 lbs.).

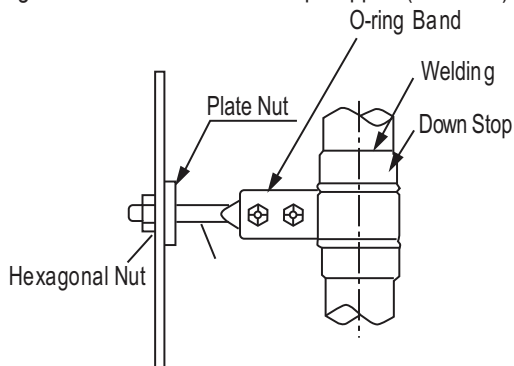
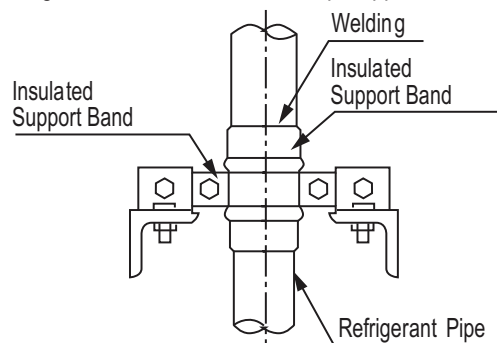


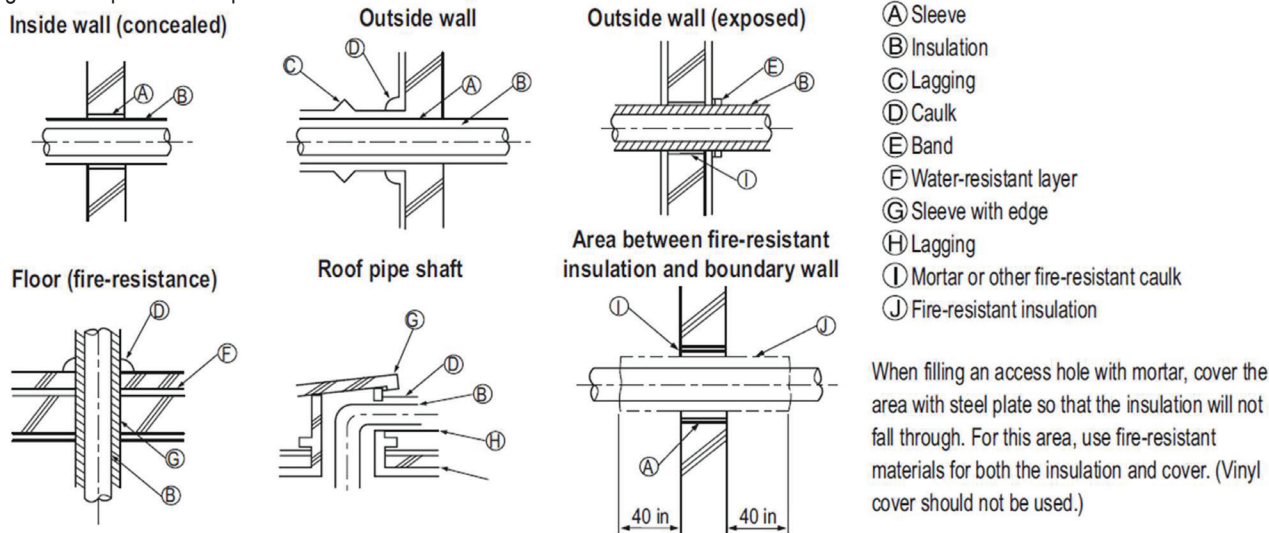
Figure 41: Two-Point Down-Stop Support.



Pipe Sleeves at Penetrations

LG recommends that all pipe penetrations through walls, floors, and pipes buried underground be properly insulated and routed through an appropriate wall sleeve of sufficient size to prevent compression of refrigerant pipe insulation and promote free movement of the pipe within the sleeve. Use 4"+ curved sheet metal saddles between the bottom surface of the pipe and the bottom surface of the penetration.

Figure 42: Pipe Sleeve Options.



Note:

Diameter of penetrations must be determined by pipe diameter plus the thickness of the insulation.

Underground Refrigerant Piping

Refrigerant pipe installed underground must be routed inside a vapor tight protective sleeve to prevent insulation deterioration and water infiltration. Refrigerant pipe installed inside underground casing must be continuous without any joints. Underground refrigerant pipe must be located at a level **below the frost line**.

Table 20: Utility Conduit Sizes.

| Liquid Pipe ¹ | Vapor Pipe ¹ | | | |
|--------------------------|---------------------------|---------------------------|-----------------------------|-----------------------------|
| | 3/8 (2.0 ^{2,5}) | 1/2 (2.0 ^{2,5}) | 5/8 (2-1/8 ^{2,5}) | 3/4 (2-1/4 ^{2,5}) |
| 1/4 (1.0) ³ | 4 | 4 | 4 | 4 |
| 3/8 (1-1/8) ³ | 4 | 4 | 4 | 5 |
| 1/2 (1-1/2) ⁴ | 5 | 5 | 5 | 5 |
| 5/8 (1-5/8) ⁴ | 5 | 5 | 5 | 5 |
| 3/4 (1-3/4) ⁴ | 5 | 5 | 5 | 5 |

¹OD pipe diameter in inches; Values in parenthesis () indicate OD of pipe with insulation jacket.

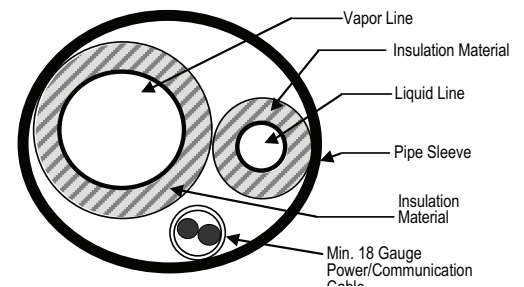
²Diameter of pipe with insulation. Thickness of pipe insulation is typical. Actual required thickness will vary based on surrounding ambient conditions and must be calculated and specified by the design engineer.

³Insulation thickness (value in parenthesis) = 3/8 inch.

⁴Insulation thickness (value in parenthesis) = 1 inch.

⁵Insulation thickness (value in parenthesis) = 3/4 inch.

Figure 43: Typical Arrangement of Refrigerant Pipe and Cable(s) in a Utility Conduit.



Note:

Provide expansion joints in long pipe segments and place in an accessible conduit box for inspection. Use galvanized curved sheet metal saddles at all mounting points. Pipe must be allowed to move freely linearly.

Flaring and Brazing Procedures

One of the main causes of refrigerant leaks is a defective connection. For LG HVAC systems, the installer needs to know how perform both flared and brazed connections successfully.

Note:

- During installation, it is imperative to keep the piping system free of contaminants and debris such as copper burrs, slag, or carbon dust.
- Do not use kinked pipe caused by excessive bending in one specific area on its length.

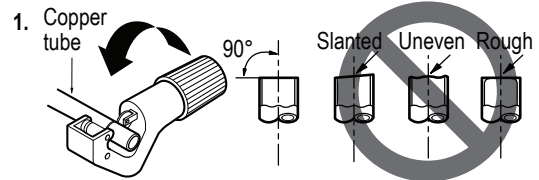
Flaring Procedure

Note:

When selecting flare fittings, always use a 45° fitting rated for use with high pressure refrigerant R410A. Selected fittings must also comply with local, state, or federal standards.

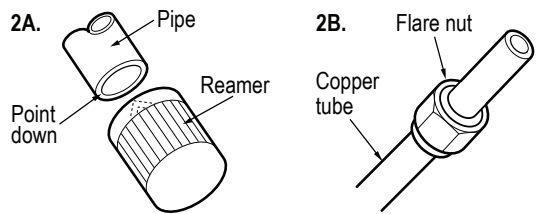
1. Cut the pipe to length.

- Measure the distance between the indoor unit and the outdoor unit.
- Cut the pipes a little longer than measured distance.



2A. Remove the burrs.

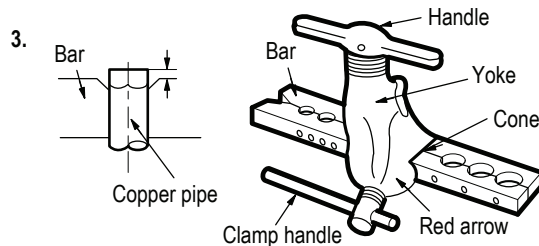
- Completely remove all burrs from pipe ends.
- When removing burrs, point the end of the copper pipe down to avoid introducing foreign materials in the pipe.



2B. Slide the flare nut onto the copper tube.

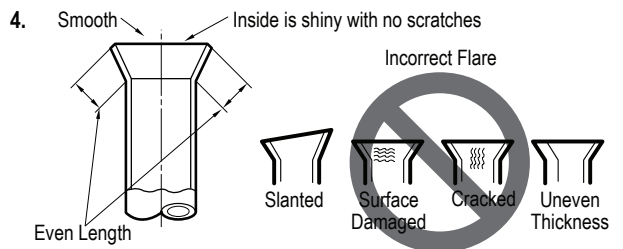
3. Flaring the pipe end.

- Use the proper size flaring tool to finish flared connections as shown.
- ALWAYS create a 45° flare when working with R410A.

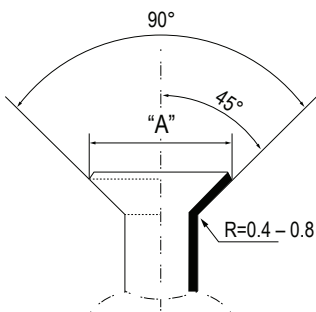


4. Carefully inspect the flared pipe end.

- Compare the geometry with the figure to the right
- If the flare is defective, cut it off and re-do procedure.
- If flare looks good, blow the pipe clean with dry nitrogen.



Dimensions of the Flare.



Flared Connection Dimensions / Tightening Torque.

| Pipe Size (in. O.D.) | Outside Diameter (mm) | "A" Dimension (mm [in.]) |
|----------------------|-----------------------|--------------------------|
| 1/4 | 6.35 | ~ 9.1 (11/32 - 23/64) |
| 3/8 | 9.52 | ~ 13.2 (1/2 - 33/64) |
| 1/2 | 12.7 | ~ 16.6 (41/64 - 21/32) |
| 5/8 | 15.88 | ~ 19.7 (49/64 - 25/32) |
| 3/4 | 19.05 | - |

Tightening the Flare Nuts

Tightening Torque for Flare Nuts.

| Pipe Size (in. O.D.) | Outside Diameter (mm) | Tightening Torque (ft-lbs.) |
|----------------------|-----------------------|-----------------------------|
| 1/4 | 6.35 | 13.0 - 18.0 |
| 3/8 | 9.52 | 24.6 - 30.4 |
| 1/2 | 12.7 | 39.8 - 47.7 |
| 5/8 | 15.88 | 45.4 - 59.3 |
| 3/4 | 19.05 | 71.5 - 87.5 |

1. When connecting the flare nuts, coat the flare (outside only) with polyvinyl ether (PVE) refrigeration oil only.

Note:

⊘ Do not use polyolyester (POE) or any other type of mineral oil as a thread lubricant. These lubricants are not compatible with the PVE oil used in this system and create oil sludge leading to equipment damage and system malfunction.

⊘ Do not add any contaminants inside the refrigerant piping.

2. Initially hand tighten the flare nuts using three (3) or four (4) turns.
3. To finish tightening the flare nuts, use both a torque wrench and a backup wrench.
4. After all the piping has been connected and the caps have been tightened, check for refrigerant gas leaks.

Loosening the Flare Nuts

Always use two (2) wrenches to loosen the flare nuts.

Brazing Procedure

⚠ WARNING

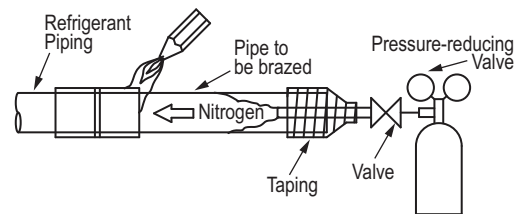
⊘ Do not braze in an enclosed location. ⊘ Do not allow the refrigerant to leak during brazing. Always test for gas leaks before and after brazing. If the refrigerant combusts, it generates a toxic gas that will cause physical injury or death.

Note:

Braze the pipes to the service valve pipe stub of the outdoor unit.

1. All joints are brazed in the field. LG HVAC refrigeration system components contain very small capillary tubes, small orifices, electronic expansion valves, oil separators, and heat exchangers that can easily become blocked. Proper system operation depends on the installer using best practices and utmost care while assembling the piping system.
2. Store pipe stock in a dry place; keep stored pipe capped and clean.
3. Blow clean all pipe sections with dry nitrogen prior to assembly.
4. Use adapters to assemble different sizes of pipe.
5. Always use a non-oxidizing material for brazing. ⊘ Do not use flux, soft solder, or anti-oxidant agents. If the proper material is not used, oxidized film will accumulate and clog or damage the compressors. Flux can harm the copper piping or refrigerant oil.
6. Use a tubing cutter, ⊘ do not use a saw to cut pipe. De-bur and clean all cuts before assembly.
7. Brazing joints:
 - Use a dry nitrogen purge operating at a minimum pressure of three (3) psig and maintain a steady flow.
 - Use a 15% silver phosphorous copper brazing alloy to avoid overheating and produce good flow.
 - Protect isolation valves, electronic expansion valves, and other heat-sensitive control components from excessive heat with a wet rag or heat barrier spray.

Figure 44: Refrigerant Pipe Brazing.



Multi F Outdoor Unit to Indoor Unit Piping Connections

Note:

- ⊘ **Avoid Pipe Damage**
 - When routing field-provided piping, ⊘ avoid damaging the outdoor unit from excessive vibration.
 - Properly insulate the liquid and gas lines separately up to the point of connection at the unit frame.
 - See table below for Multi F outdoor unit connection types.
- ⊘ Correctly route the piping so it does not make contact with mounting bolts. Allow room for field installation.

Figure 45: Multi F Refrigerant Pipe Connections (LMU363HV shown as example).

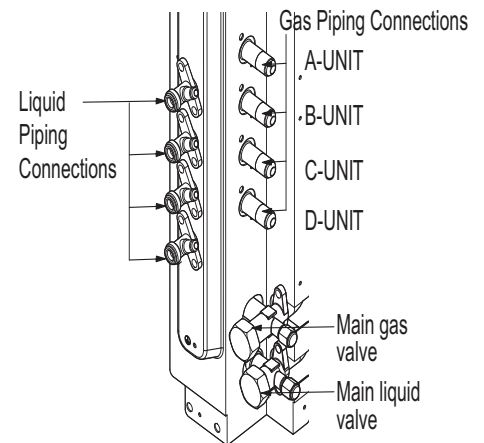


Table 21: Outdoor Unit Piping Connections.

| Outdoor Unit Piping Connections | LMU183HV | LMU243HV | LMU303HV | LMU363HV |
|---|----------|----------|----------|----------|
| Liquid Line Connection (in., OD) x Qty. | 1/4 x 2 | 1/4 x 3 | 1/4 x 4 | 1/4 x 4 |
| Vapor Line Connection (in., OD) x Qty. | 3/8 x 2 | 3/8 x 3 | 3/8 x 4 | 3/8 x 4 |

Table 22: Indoor Unit Pipe Sizes.

| Indoor Unit Capacity | Vapor Line Piping Size (in., OD) | Liquid Line Piping Size (in., OD) |
|--|----------------------------------|-----------------------------------|
| 7,000 Btu/h | Ø3/8 | Ø1/4 |
| 9,000 Btu/h | | |
| 12,000 Btu/h | | |
| 15,000 Btu/h | | |
| 15,000 Btu/h: Console; 18,000 Btu/h | Ø1/2 | |
| 24,000 Btu/h | | |

Note:

Connection sockets (included as a factory-supplied accessory with the indoor units) will need to be used when piping the indoor units to the outdoor unit. See tables above and below for indoor unit piping connection and connection socket dimensions.

Table 23: Indoor Unit Piping Connections.

| Indoor Unit Capacity | Vapor Line Conn. (in., OD) | Liquid Line Conn. (in., OD) |
|---|----------------------------|-----------------------------|
| 7,000 Btu/h | Ø3/8 | Ø1/4 |
| 9,000 Btu/h | | |
| 12,000 Btu/h | | |
| 15,000 Btu/h | | |
| 18,000 Btu/h: Wall-Mounted | Ø5/8 | Ø3/8 |
| 15,000 Btu/h: Console; 18,000 Btu/h: Low Static Duct, Four-Way Cassette, VAHU | Ø1/2 | Ø1/4 |
| 24,000 Btu/h | Ø1/2 | Ø1/4 |

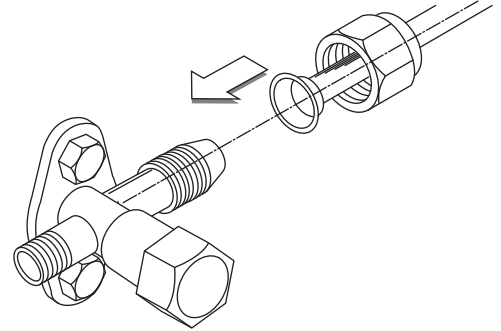
Table 24: Connection Socket Dimensions.

| Indoor Unit Capacity | Vapor (in., OD) | | Liquid (in., OD) | |
|---|--------------------------|---|------------------|---|
| | A | B | A | B |
| 18,000 Btu/h: Wall-Mounted | Ø3/8 → Ø1/2, Ø1/2 → Ø5/8 | | Ø1/4 → Ø3/8 | |
| 15,000 Btu/h: Console; 18,000 Btu/h: Low Static Duct, Four-Way Cassette, VAHU | Ø3/8 → Ø1/2 | | N/A | |
| 24,000 Btu/h | Ø3/8 → Ø1/2 | | N/A | |

Installing Field Piping to the Outdoor Unit Piping Connections

1. Verify the outdoor unit service ports are closed.
2. Remove the caps on the outdoor unit piping connections.
3. Connect the gas piping first to ROOM A, then to ROOM B, then to ROOM C, in that order. Number of connections will differ depending on outdoor unit.
4. Tighten each gas piping connection individually following the “Tightening the Flare Nuts” procedure below.
5. Connect the liquid piping first to ROOM A, then to ROOM B, then to ROOM C, in that order. Number of connections will differ depending on outdoor unit.
6. Tighten each liquid piping connection individually following the “Tightening the Flare Nuts” procedure below.

Figure 46: Close Up of the Field Piping to the Outdoor Unit Piping Connection.



Tightening the Flare Nuts

Tightening Torque for Flare Nuts.

| Pipe Size (in. O.D.) | Outside Diameter (mm) | Tightening Torque (ft-lbs.) |
|----------------------|-----------------------|-----------------------------|
| 1/4 | 6.35 | 13.0 - 18.0 |
| 3/8 | 9.52 | 24.6 - 30.4 |
| 1/2 | 12.7 | 39.8 - 47.7 |
| 5/8 | 15.88 | 45.4 - 59.3 |
| 3/4 | 19.05 | 71.5 - 87.5 |

1. When connecting the flare nuts, coat the flare (outside only) with polyvinyl ether (PVE) refrigeration oil only.

Note:

- ⊘ Do not use polyolyster (POE) or any other type of mineral oil as a thread lubricant. These lubricants are not compatible with the PVE oil used in this system and create oil sludge leading to equipment damage and system malfunction.
- ⊘ Do not add any contaminants inside the refrigerant piping.

2. Initially hand tighten the flare nuts using three (3) or four (4) turns.
3. To finish tightening the flare nuts, use both a torque wrench and a backup wrench.
4. After all the piping has been connected and the caps have been tightened, check for refrigerant gas leaks.

Using the Connection Socket

Some indoor units require the use of a connection socket when piping the indoor units to the outdoor unit. (See previous page for information.) The connection sockets are included as a factory-supplied accessory with the indoor units. To install:

1. Align the center of the piping sections as seen in the diagrams at right and below.
2. Follow the “Tightening the Flare Nuts” procedure above.

Figure 47: Connection Socket Diagram, External View.

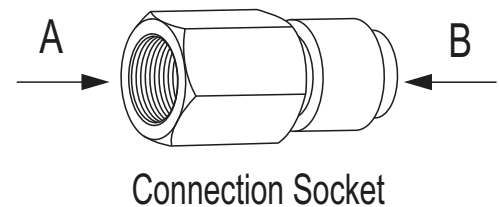


Figure 48: Connection Socket Diagram.

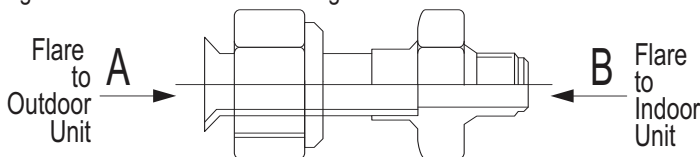
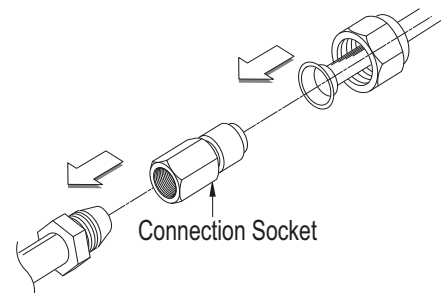


Figure 49: Performing Connections.

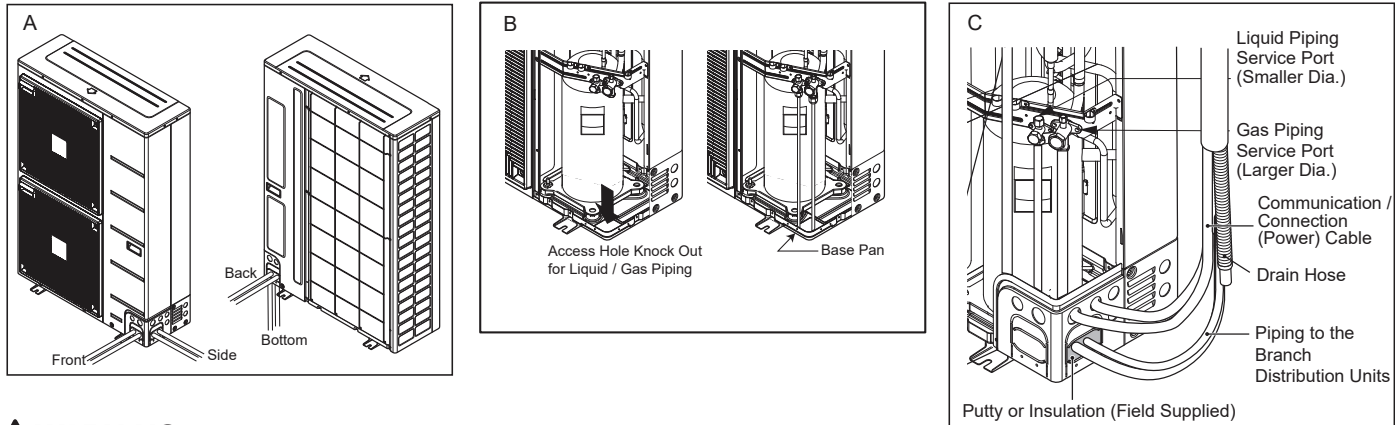


Multi F MAX Refrigerant Piping Connections / Piping Routes

For Multi F MAX outdoor units, piping can be installed in one of four directions: front, side, back, and bottom (A). If the downward installation is chosen, the knockout hole in the base pan must be accessed (B).

Whatever direction is chosen, plug the access holes with field-provided putty or insulation to fill all gaps (C).

Figure 50: Multi F MAX Piping Installation.



⚠ WARNING

Insects or small animals entering the outdoor unit will cause a short circuit in the electrical box, which will lead to fire, electric shock, physical injury, or death.

Note:

Insects or small animals entering the outdoor unit will cause a short circuit in the electrical box, which will lead to unit failure.

Multi F MAX Outdoor Unit System Piping Connections

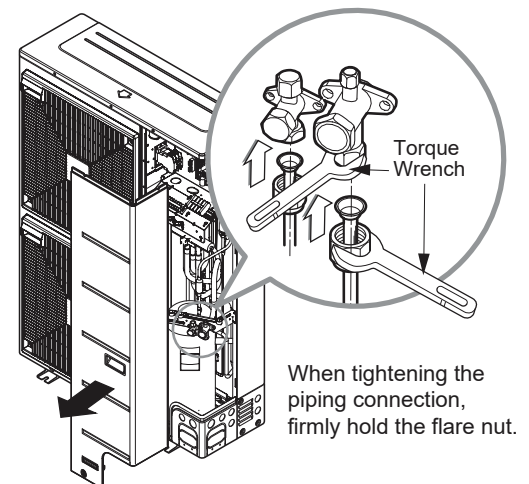
Note:

- ⊘ **Avoid Pipe Damage**
 - When routing field-provided piping, ⊘ avoid damaging the outdoor unit from excessive vibration.
 - Properly insulate the liquid and gas lines separately up to the point of connection at the unit frame.
 - See table below for Multi F MAX outdoor unit connection types.
- ⊘ Correctly route the piping so it does not make contact with mounting bolts. Allow room for field installation.

Table 25: Multi F MAX Outdoor Unit Piping Connections.

| Outdoor Unit Piping Connections | LMU481HV, LMU541HV, LMU601HV |
|---|------------------------------|
| Liquid Line Connection (in., OD) x Qty. | Ø3/8 x 1 |
| Vapor Line Connection (in., OD) x Qty. | Ø3/4 x 1 |

Figure 51: Multi F MAX Outdoor Unit Refrigerant Pipe Connections.



Branch Distribution to Indoor Unit Piping Connections

- Install indoor unit liquid and vapor refrigerant pipes (and connection wiring) to the appropriate branch distribution ports.
- Clearly note on the indoor unit's refrigerant piping (liquid, vapor) which branch distribution port it is connected to (A, B, C, D).

Table 26: Branch Distribution Unit Piping Connections.

| Branch Distribution Unit | Refrigerant Connections Pipe Size (in.) | | Connectible Indoor Unit Capacity (Btu/h) |
|--------------------------|---|----------|--|
| | Liquid | Vapor | |
| PMBD3620 | Ø1/4 x 2 | Ø3/8 x 2 | 7,000, 9,000, 12,000, 15,000, 18,000, 24,000 |
| PMBD3630 | Ø1/4 x 3 | Ø3/8 x 3 | 7,000, 9,000, 12,000, 15,000, 18,000, 24,000 |
| PMBD3640 | Ø1/4 x 4 | Ø3/8 x 4 | 7,000, 9,000, 12,000, 15,000, 18,000, 24,000 |
| PMBD3641 | Ø1/4 x 4 | Ø3/8 x 3 | 7,000, 9,000, 12,000, 15,000, 18,000, 24,000 (A, B, C) |
| | | Ø1/2 x 1 | 24,000, 36,000 (D) |

Figure 53: Branch Distribution Ports to Indoor Units -- Side View.

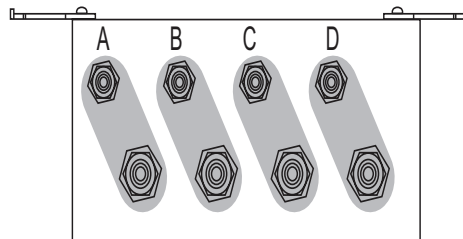


Table 27: Indoor Unit Pipe Sizes.

| Indoor Unit Capacity | Vapor Line Piping Size (in., OD) | Liquid Line Piping Size (in., OD) |
|--|----------------------------------|-----------------------------------|
| 7,000 Btu/h | Ø3/8 | Ø1/4 |
| 9,000 Btu/h | | |
| 12,000 Btu/h | | |
| 15,000 Btu/h | | |
| 15,000 Btu/h: Console; 18,000 Btu/h | Ø1/2 | Ø3/8 |
| 24,000 Btu/h | | |
| 36,000 Btu/h | Ø5/8 | Ø3/8 |

Note:

Connection sockets (included as a factory-supplied accessory with the indoor units) will need to be used when piping the indoor units to the branch distribution unit. The connection sockets for 36k indoor units are factory supplied with the branch distribution units. See tables above and below for indoor unit piping connection and connection socket dimensions. See the following page for the connection socket installation procedure.

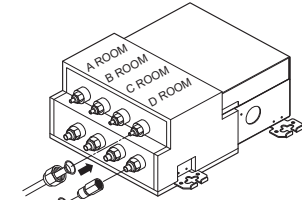
Table 29: Connection Socket Dimensions.

| Indoor Unit Capacity | Vapor (in., OD) | | Liquid (in., OD) | |
|--|-----------------|-------------|------------------|---|
| | A | B | A | B |
| 18,000 Btu/h: Wall-Mounted | Ø3/8 → Ø1/2 | Ø1/2 → Ø5/8 | Ø1/4 → Ø3/8 | |
| 15,000 Btu/h: Console; 18,000 Btu/h: Low Static Duct, Four-Way Cassette, VAHU | Ø3/8 → Ø1/2 | | N/A | |
| 24,000 Btu/h* | Ø3/8 → Ø1/2 | | N/A | |
| 36,000 Btu/h | Ø1/2 → Ø5/8 | | Ø1/4 → Ø3/8 | |

*No socket adapter is required if connected to Port D on the PMBD3641.

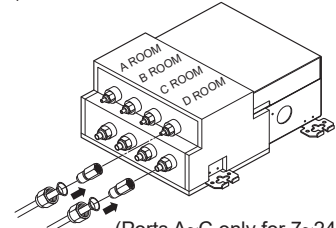
Figure 52: Branch Distribution Piping Connections.

Multi F MAX Outdoor Units
(48, 54, 60 kBtu/h)
(Branch Distribution Unit: PMBD3640)



(For 7~24 kBTU/h Indoor Units)

(Branch Distribution Unit: PMBD3641)



(Ports A~C only for 7~24 kBTU/h Indoor Units;
Port D only for 24 or 36 kBTU/h Indoor Units)

Table 28: Indoor Unit Piping Connections.

| Indoor Unit Capacity | Vapor Line Conn. (in., OD) | Liquid Line Conn. (in., OD) |
|---|----------------------------|-----------------------------|
| 7,000 Btu/h | Ø3/8 | Ø1/4 |
| 9,000 Btu/h | | |
| 12,000 Btu/h | | |
| 15,000 Btu/h | | |
| 18,000 Btu/h: Wall-Mounted | Ø5/8 | Ø3/8 |
| 15,000 Btu/h: Console; 18,000 Btu/h: Low Static Duct, Four-Way Cassette, VAHU | Ø1/2 | Ø1/4 |
| 24,000 Btu/h | | |
| 36,000 Btu/h | Ø5/8 | Ø3/8 |

Installing Field Piping to the Branch Distribution Unit Piping Connections

1. Remove any caps, etc., that could be on the branch distribution unit.
2. Tighten each piping connection individually following the "Tightening the Flare Nuts" procedure below.
3. When all piping installation has been completed, perform the triple leak / pressure and evacuation tests (see the Final Installation Procedures Section), verify that the system does not have any leaks, and then fully insulate all joints / connections.

Using the Connection Socket

Some indoor units require the use of a connection socket when piping the indoor units to the branch distribution unit. (See previous page and below for information.) The connection sockets are included as a factory-supplied accessory with the indoor units, or in the case of the 36k indoor unit, it is factory supplied with the branch distribution units. To install:

1. Remove any caps, etc., that could be on the branch distribution unit.
2. Align the center of the piping sections as seen in the diagram at right.
3. Tighten each piping connection individually following the "Tightening the Flare Nuts" procedure below.
4. When all piping installation has been completed, perform the triple leak / pressure and evacuation tests (see the Final Installation Procedures Section), verify that the system does not have any leaks, and then fully insulate all joints / connections.

Figure 54: Connection Socket Diagram, External View.

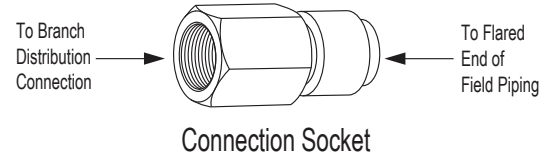
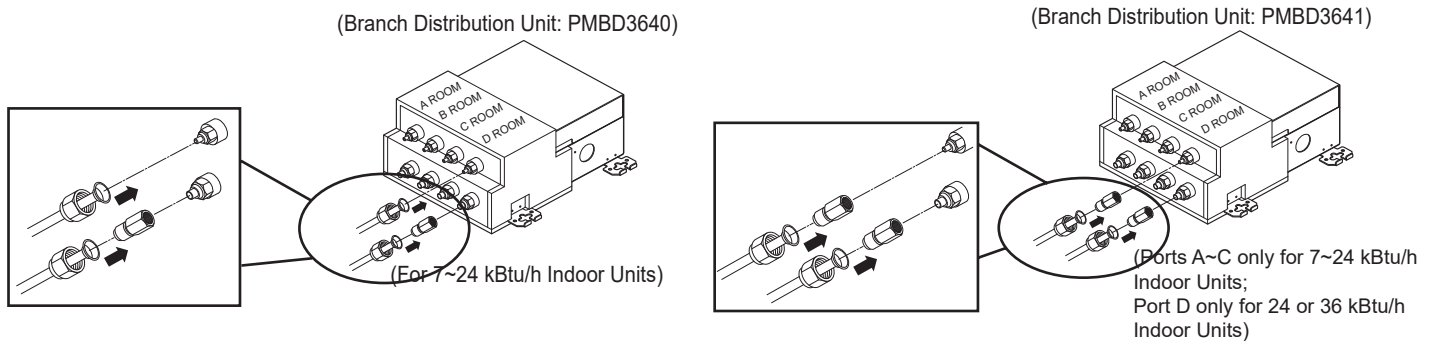


Figure 55: Close Up of Branch Distribution to Indoor Unit Piping Connections.



Tightening the Flare Nuts

Tightening Torque for Flare Nuts.

| Pipe Size (in. O.D.) | Outside Diameter (mm) | Tightening Torque (ft-lbs.) |
|----------------------|-----------------------|-----------------------------|
| 1/4 | 6.35 | 13.0 - 18.0 |
| 3/8 | 9.52 | 24.6 - 30.4 |
| 1/2 | 12.7 | 39.8 - 47.7 |
| 5/8 | 15.88 | 45.4 - 59.3 |
| 3/4 | 19.05 | 71.5 - 87.5 |

1. When connecting the flare nuts, coat the flare (outside only) with polyvinyl ether (PVE) refrigeration oil only.

Note:

- ⊘ Do not use polyolyester (POE) or any other type of mineral oil as a thread lubricant. These lubricants are not compatible with the PVE oil used in this system and create oil sludge leading to equipment damage and system malfunction.
- ⊘ Do not add any contaminants inside the refrigerant piping.

2. Initially hand tighten the flare nuts using three (3) or four (4) turns.
3. To finish tightening the flare nuts, use both a torque wrench and a backup wrench.
4. After all the piping has been connected and the caps have been tightened, check for refrigerant gas leaks.

Figure 56: Socket Connection.

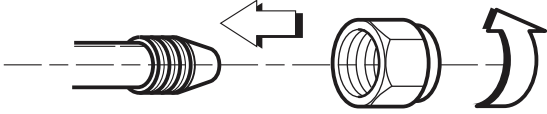
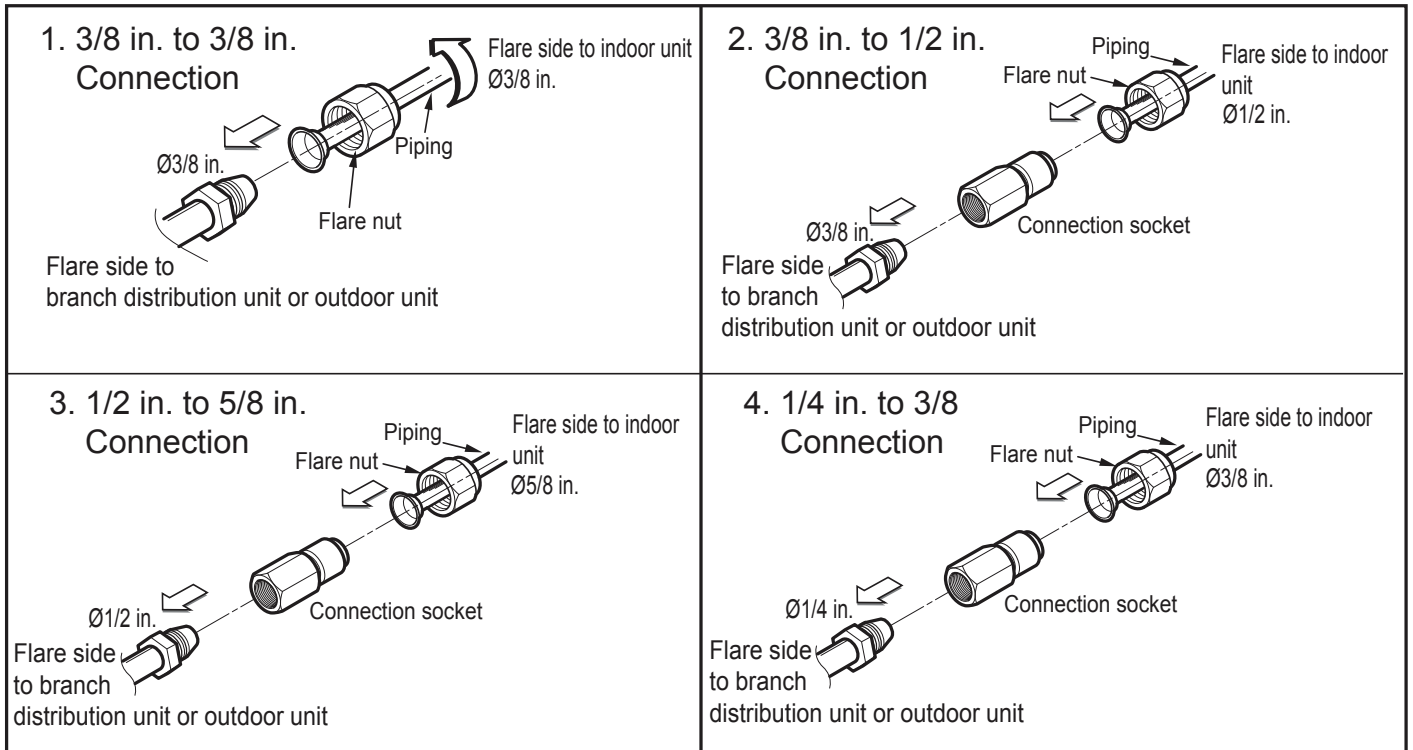


Figure 57: Possible Outdoor Unit or Branch Distribution Unit to Indoor Unit Connections.



Multi F MAX Y-Branch Kit PMBL5620

The LG-supplied Y-Branch kit PMBL5620 MUST be used when installing two (2) branch distribution units in parallel on one (1) Multi F MAX system. ⚠ Field-supplied fittings are not permitted. Each Y-Branch kit includes two (2) Y-branches (one for the liquid line and one for the vapor line) and insulation covers.

Y-branches can be installed in horizontal or vertical configurations. When installed vertically, position the Y-branch so the straight through leg is $\pm 3^\circ$ of plumb. When installed horizontally, position the Y-branch so the take-off leg is level and shares the same horizontal plane as the straight-through leg $\pm 5^\circ$ rotation.

Y-branches must be properly installed following instructions in the applicable LG manual. Y-branches must always be installed with the single port facing the outdoor unit and the two-port end facing the branch distribution units. ⚠ Do not install Y-branches backwards as refrigerant flow cannot make U-turns. The Y-branch kit must be located at least three (3) feet from the outdoor unit. Provide a minimum of 20 inches between a Y-branch and the branch distribution unit.

When a Y-branch is located in a pipe chase or other concealed space, access doors must be provided for inspection access.

The equivalent pipe length of each Y-branch (1.6') must be added to the main pipe segment entered into LATS piping design software.

Note:

- Design pressure is 551 psig.
- All dimensions in inches. Tolerance $\pm 1/4$ inch.
- Images are not to scale.

Figure 60: Horizontal Configuration End View.

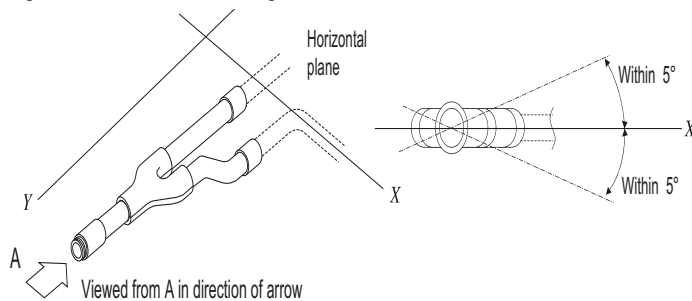


Figure 58: Y-Branch Port Identifier Diagram.

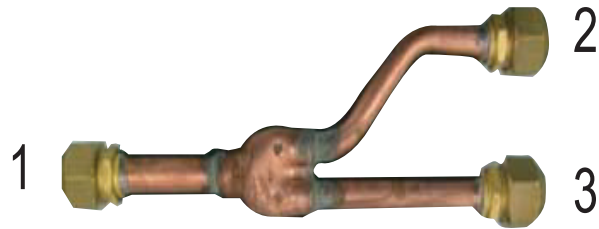
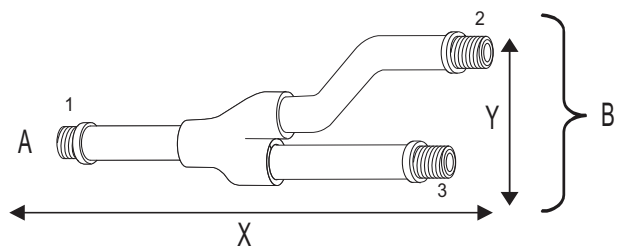


Figure 59: Y-Branch Dimensions Diagram.



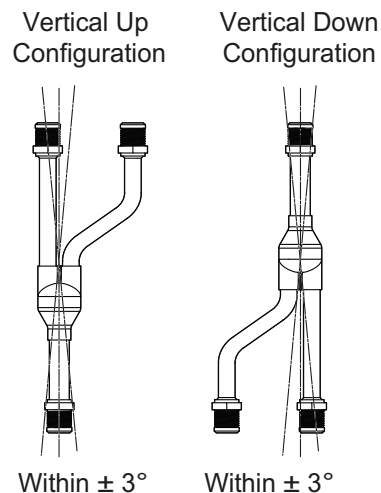
A = To Outdoor Unit

B = To Branch Distribution Unit

Table 30: Y-Branch Connection Diameters.

| Model | Y-Branch Type | Port Identifier (inch) | | | Dimensions | |
|----------|---------------|------------------------|-----|-----|------------|------|
| | | 1 | 2 | 3 | X | Y |
| PMBL5620 | Liquid | 3/8 | 3/8 | 3/8 | 13.80 | 3.24 |
| | Vapor | 3/4 | 3/4 | 3/4 | 12.48 | 3.02 |

Figure 61: Y-branch Installation Alignment Specification.



Bundling

If a conduit or piping set cover is not used on the connection from the outdoor unit to the interior, bundle both insulated refrigerant pipes, the drain hose, and outdoor unit to indoor unit / branch distribution unit communication / connection (power) cable together with wide vinyl tape.

1. Piping must be fully encased in insulation material: Overlap the field installation piping insulation material and the indoor unit piping insulation material.
2. Bind together the two pipes, using vinyl tape. Make sure there are no gaps during the binding.
3. Be sure the cutting line is placed upward.
4. Wrap the rear piping section with narrow vinyl tape.
5. Continue to wrap the indoor unit pipe as connected to the outdoor connection pipe.
6. Using a wider vinyl tape, bundle the piping and drain hose together.
 - Tape must be sufficient to cover the piping in order to fit into the rear piping housing area at the back of the indoor unit.

Special Applications

If an additional drain hose is necessary, the end of drain outlet must be routed above the ground. Secure the drain hose appropriately.

When the Outdoor Unit is Installed Below the Indoor Unit:

1. Use a conduit, piping set cover, or bundle the (separately) insulated refrigerant piping, the drain hose, and the communications / connection (power) cable together.
2. Make sure to include some slack in the wiring. Wiring must be installed in an upwards direction to prevent water from accessing into the control box.
3. Secure the conduit, piping set cover, or bundle along the outside wall using saddles or a similar type of piping support.
4. Seal any openings in the wall that are around the piping.

When the Outdoor Unit is Installed Above the Indoor Unit:

1. Use a conduit, piping set cover, or bundle the (separately) insulated refrigerant piping and the communications / connection (power) cable together up to the outdoor unit service valves.
2. Make sure to include some slack in the wiring. Wiring must be installed in upwards direction to prevent water from traveling into the control box.
3. If necessary, secure the conduit, piping set cover, or bundle along the outside wall using saddles or a similar type of piping support.
4. Ensure the insulated drain hose from the indoor unit is installed away from the outdoor unit, and in a downwards direction. If necessary, secure along the outside wall using saddles or a similar type of support.
5. Seal any openings in the wall that are around the piping.

Figure 62: Bundling the Connection Components (From Outdoor Unit to Indoor Unit / Branch Distribution Unit [Multi F MAX systems only]).

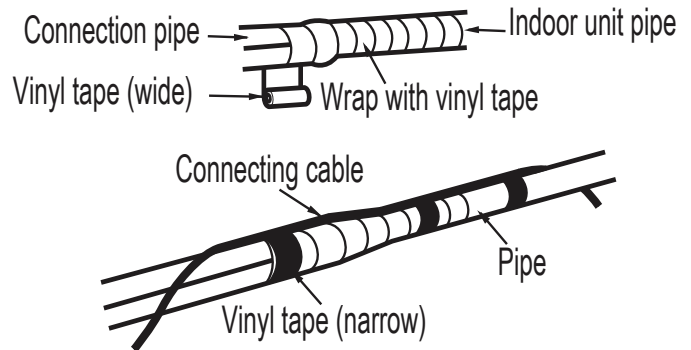
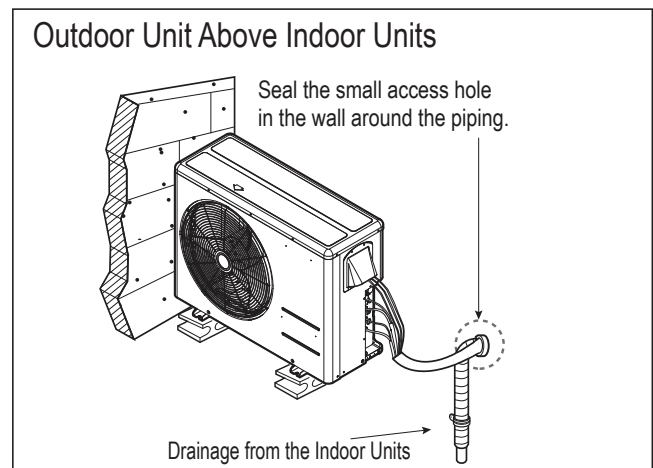
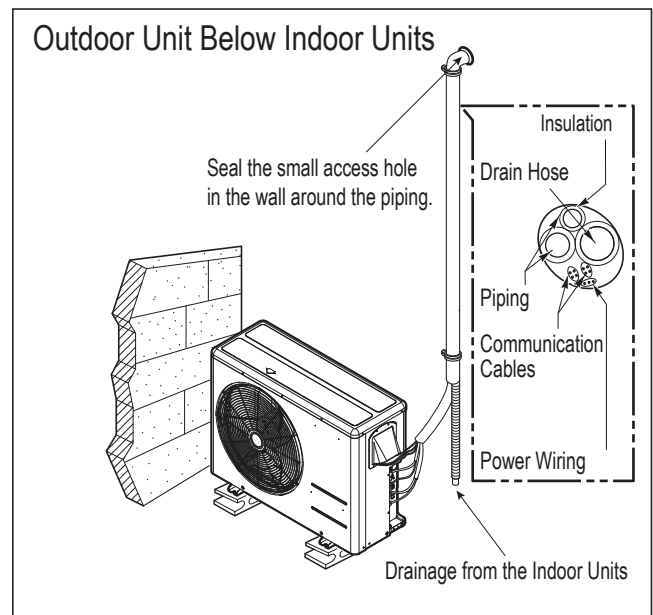


Figure 63: Special Applications.



Condensate Drain Piping

Outdoor unit requires condensate drain piping. Condensate drain pipe must be constructed with materials approved by local code. See pages 22 to 24 for information in reference to outdoor unit placement and condensate drainage.

Drain Leak Test

A leak test must be performed 24 hours after the drainage system has been installed.

Note:

For indoor unit condensate drain piping information, see the Multi F / Multi F MAX Indoor Unit Engineering Manual, or the installation manual specific to the indoor unit type.

Note:

For information regarding insulation for underground or penetration situations, see the “General Refrigerant Piping System Information” section.

General Piping System Insulation

All refrigerant piping from the outdoor unit to the indoor units / branch distribution units (Multi F MAX systems only) must be insulated correctly for safety and usage. Y-branch connections, refrigerant piping, field-provided isolation ball valves (if present), service valves, and elbows must be properly and completely insulated using closed cell pipe insulation (up to the indoor unit piping connections). To prevent heat loss / heat gain through the refrigerant piping, all refrigerant piping including liquid lines and vapor lines must be insulated separately. Insulation must be a minimum 1/2 inches thick, and thickness will need to be increased based on ambient conditions and local codes. Table on the next page lists minimum wall thickness requirements for Ethylene Propylene Diene Methylene (EPDM) insulation.

Inside the outdoor unit, maximum pipe temperature is 248°F and minimum pipe temperature is -40°F. For field insulation of refrigerant piping between outdoor units and indoor units, consider the following pipe temperature ranges for an operating heat pump system:

- Heating mode refrigerant temperature ranges: Liquid, 75-118°F; High Pressure Vapor, 95-220°F.
- Cooling mode refrigerant temperature ranges: Liquid, 75-118°F; Low Pressure Vapor, 40-90°F.

All insulation joints must be glued with no air gaps. Insulation material must fit snugly against the refrigeration pipe with no air space between it and the pipe. Insulation passing through pipe hangers, inside conduit, and/or sleeves must not be compressed. Protect insulation inside hangers and supports with a second layer. All pipe insulation exposed to the sun and outdoor elements must be properly protected with PVC, aluminum vapor barrier, or alternatively placed in a weather-resistant enclosure such as a pipe rack with a top cover; or meet local codes. LG-provided Y-branches are shipped from the factory with pre-formed peel-and-stick foam insulation jackets, with a 1.84 lb./ft.³ density, 1/2 inch thickness, and meet UL94 MF-1 flammability.

The design engineer must perform calculations to determine if the factory-supplied insulation jackets are sufficient to meet local codes and avoid sweating. Add additional insulation if necessary. Check the fit of the insulation jacket after the Y-branch fitting and all run-out pipes are installed.

Figure 64: Typical Pipe Insulation, Power Wire and Communications Cable Arrangement

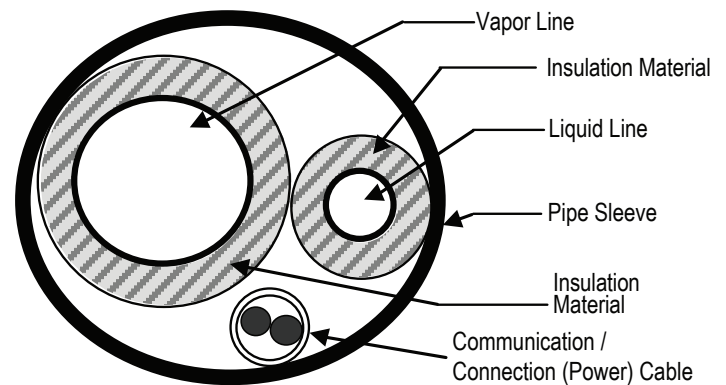


Figure 65: Typical Insulation Butt-Joint at Indoor Unit Casing.

Figure 66: Typical Refrigerant Flare Fitting Insulation Detail.

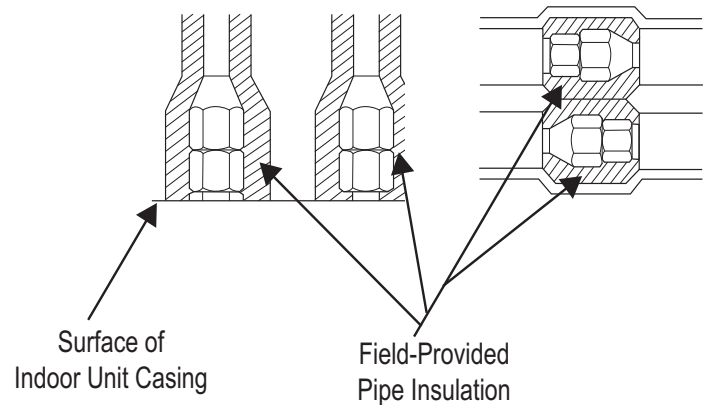
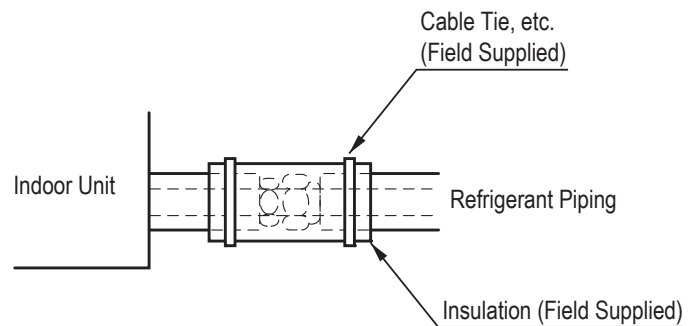


Figure 67: Insulating the Shut Off / Isolation Ball Valve (If Present).



Minimum Refrigerant Pipe Ethylene Propylene Diene Methylene (EPDM) Insulation Wall Thickness Requirements

Note:


-  Do not insulate gas and liquid pipes together as this can result in pipe leakage and malfunction due to extreme temperature fluctuations.
- Always properly insulate the piping. Insufficient insulation will result in condensation, reduced heating/cooling performance, etc. Also, if the pipes aren't insulated properly, condensation could potentially cause damage to building finishes. Pay special attention to insulating the pipes installed in the ceiling plenum.
- Fully insulate the piping connections.
- Follow local codes and the designer's instructions when selecting ethylene propylene diene methylene (EPDM) insulation wall thickness.

Table 31: Minimum Refrigerant Pipe EPDM Insulation Wall Thickness Requirements.¹

| Classification | | Air-conditioned location | | Non-air conditioned location | |
|----------------|---------------|---------------------------------|---------------------------------|-----------------------------------|-----------------------------------|
| | | 1. Typical Conditioned Location | 2. Special Conditioned Location | 3. Typical Unconditioned Location | 4. Special Unconditioned Location |
| Liquid pipe | ø1/4 inch | ≥1/2 inch | ≥1/2 inch | ≥1/2 inch | ≥1/2 inch |
| | ø3/8 inch | | | | |
| | ≥ø1/2 inch | ≥1/2 inch | ≥1/2 inch | ≥1/2 inch | ≥1/2 inch |
| Vapor pipe | ø3/8 inch | ≥1/2 inch | ≥3/4 inch | ≥3/4 inch | ≥1 inch |
| | ø1/2 inch | | | | |
| | ø5/8 inch | | | | |
| | ø3/4 inch | | | | |
| | ø7/8 inch | | | | |
| | ø1 inch | ≥3/4 inch | ≥1 inch | ≥1 inch | |
| | ø1-1/8 inches | | | | |
| | ø1-1/4 inches | | | | |
| | ø1-3/8 inches | | | | |
| | ø1-1/2 inches | | | | |
| ø1-3/4 inches | | | | | |

¹The thickness of the above insulation material is based on heat conductivity of 0.61 Btu/in/h/ft²/°F.

1. Typical Conditioned Location

A building plenum or space that contains conditioned air that does not exceed 80°F DB.

2. Special Conditioned Location

1. When the location is air conditioned, but there is severe temperature/humidity difference due to high ceilings.
 - Church, auditorium, theater, lobby, etc.
2. When the location is air conditioned, but internal temperature/humidity are high.
 - Bathroom, swimming pool, locker room, etc.

3. Typical Unconditioned Location

An unconditioned space inside a building.

4. Special Unconditioned Location: If conditions 1 and 2 below are present.

1. An unconditioned space or plenum of a building.
2. An area where there is an elevated humidity level.

5. Additional Insulation for Indoor Units Will be Required in Humid Environments.

The air conditioner factory insulation has been tested according to "ISO Conditions with Mist," and it satisfies the requirements. If the system has been operating for a long time in a high humidity environment (dew point temperature: more than 73°F), condensate is likely to form. If this happens, install 3/8 inch thick EPDM insulation that is plenum-rated with a heat-resistance factor of more than 248°F.

Note:

- Do not insulate gas and liquid pipes together as this can result in pipe leakage and malfunction due to extreme temperature fluctuations.
- Be sure to fully insulate the piping connections.

Installing the Insulation

1. Insulation material must be longer than the refrigerant piping. Each vapor and liquid piping must be insulated separately.
2. Place the closed-cell ethylene propylene diene methylene (EPDM) insulation material carefully around each refrigerant pipe so as not to damage it. Be sure the insulation material cutting line is placed upward.
3. Apply adhesive to both cut surfaces of the insulation and press together. Allow adhesive to dry so that the bond is secure and does not come apart.

Insulating Piping Joints

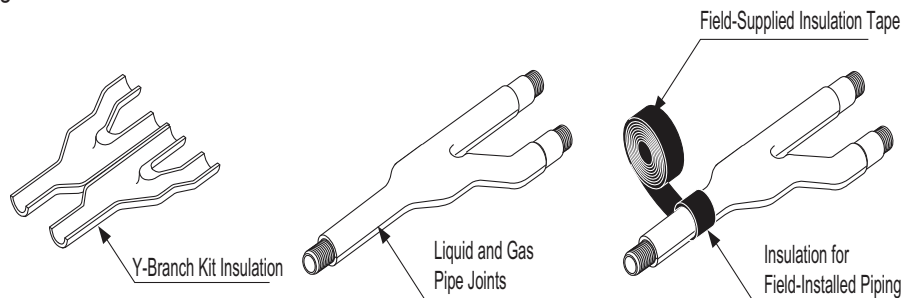
1. Push the EPDM insulation from the straight piping surrounding the joint (elbow, outdoor unit to indoor unit piping connection point, etc.) as close together as possible.
2. Cut a piece of insulation to fit the joint, overlapping the insulation on the surrounding piping by at least one (1) inch.
3. Apply adhesive to bond all the ends.
4. Secure by completely wrapping narrow vinyl tape around the insulation / joint so that there are no gaps.
5. Tape must be sufficient to cover the piping so it can fit into the rear piping housing area at the back of the indoor unit or branch distribution unit (Multi F MAX systems only).

Y-Branch Kit Insulation

Each Y-branch kit comes with clam-shell type peel-and-stick insulation jackets molded to fit the Y-branch fittings—one for the liquid line, one for the vapor line.

- Check the fit of the Y-branch clam-shell insulation jacket after the Y-branch is installed.
- Mark all the pipes at the points where the insulation jacket ends.
- Remove the jacket.
- Install field-provided insulation on the run-out and main pipes first.
- Peel the adhesive glue protector slip from the insulation jacket, and install the clam-shell jacket over the fitting.

Figure 70: Y-branch Insulation Detail.



Note:

Additional Insulation for Y-Branched Will be Required in Humid Environments.

If the system has been operating for a long time in a high humidity environment (dew point temperature: more than 73°F), condensate is likely to form. If this happens, install 3/8 inch thick ethylene propylene diene methylene (EPDM) insulation that is plenum-rated with a heat-resistance factor that follows applicable local, state, and federal codes.

Figure 68: Correct Cutting Line Placement.

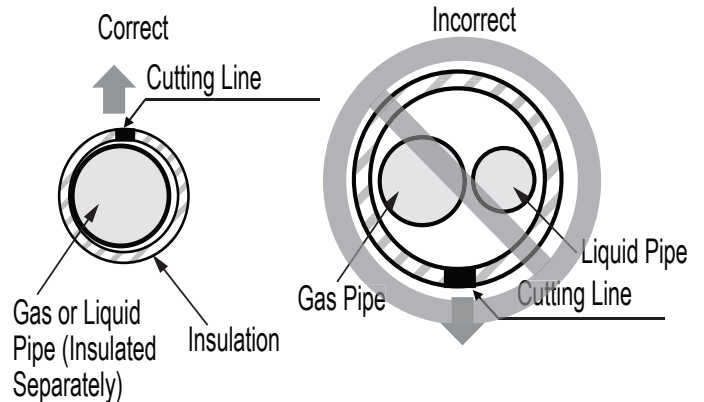
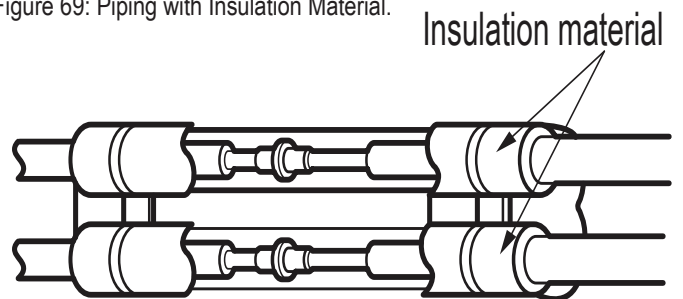


Figure 69: Piping with Insulation Material.



⚠ WARNING

- All power (line voltage) wiring and communication cable installation must be performed by trained service providers working in accordance with all local, state, and National Electrical Code (NEC) / UL / ETL federal regulations related to electrical equipment and wiring, and following the manufacturer product diagrams, requirements, and instructions in this manual. Electric shock can cause physical injury or death.
- Be sure that main power to the unit is completely off before proceeding. Follow all safety and warning information outlined at the beginning of this manual. Failure to do so will cause electric shock and bodily injury.
- Install a main shutoff switch or circuit breaker that interrupts all power sources simultaneously (circuit breaker must be resistant to electromagnetic currents). Be sure that the circuit breaker or some other emergency power cutoff device is in place before any power wiring is done to the system. Failure to do so will cause bodily injury or death.
- ⚡ Never touch any power lines or live cables before all power is cutoff to the system. To do so will cause bodily injury or death.
- Power wiring and communication cable sizes must comply with all applicable federal, state, and local codes. Undersized wiring will lead to unacceptable voltage at the unit and will cause a fire, which will cause bodily injury or death.
- Properly ground the outdoor unit, indoor units, and branch distribution units. Ground wiring must always be installed by a trained technician. Ground wiring is required to prevent accidental electrical shock during current leakage, which will cause bodily injury or death.
- Verify that the circuit breaker is set to OFF before installing the wiring system. Electric shock can cause physical injury or death.
- Install appropriately sized breakers / fuses / overcurrent protection switches and wiring in accordance with local, state, and NEC regulations related to electrical equipment and wiring, and following the instructions in this manual. Generated overcurrent will include some amount of direct current. Using an oversized breaker or fuse will result in electric shock, causing physical injury or death.
- ⚡ Do not connect ground wire to refrigerant, gas, sewage, or water piping; to lightning rods; to telephone ground wiring; or to the building plumbing system. Failure to properly provide a NEC-approved earth ground can result in electric shock, fire, causing physical injury or death.

⚠ NOTE

- Consider ambient conditions (temperature, direct sunlight, inclement weather, etc.) when selecting, installing, and connecting the power wiring.
- Properly ground the outdoor unit, indoor units, and branch distribution units. Ground wiring must always be installed by a trained technician. Improperly grounded wire can cause communication problems from electrical noise, and motor current leakage.
- Install appropriately sized breakers / fuses / overcurrent protection switches and wiring in accordance with local, state, and NEC regulations related to electrical equipment and wiring, and following the instructions in this manual. Generated overcurrent will include some amount of direct current. Using an oversized breaker or fuse will result in equipment malfunction and property damage.
- ⚡ Do not connect ground wire to refrigerant, gas, or water piping; to lightning rods; to telephone ground wiring; or to the building plumbing system. Failure to properly provide a NEC-approved earth ground can result in property damage and equipment malfunction.
- ⚡ Do not operate the air conditioning system until the refrigerant piping installation is complete. Operating the system before refrigerant piping is finalized will damage the compressor.

Location / Accessing the Power Wiring and Communications Cable Connections

1. Detach the outdoor unit panel by loosening the screws.
2. Remove the control cover (if applicable) by loosening the screws.
3. When all connections are complete, re-attach the cover control to its original position using the screws, then re-attach the outdoor unit panel.

Figure 71: Power Wiring and Communication / Connection (Power) Cable Paths (LMU183, 243HV, 303, 363HV) (Appearances Will Vary).

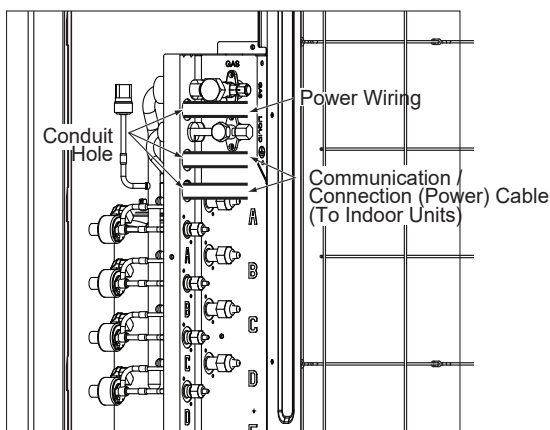
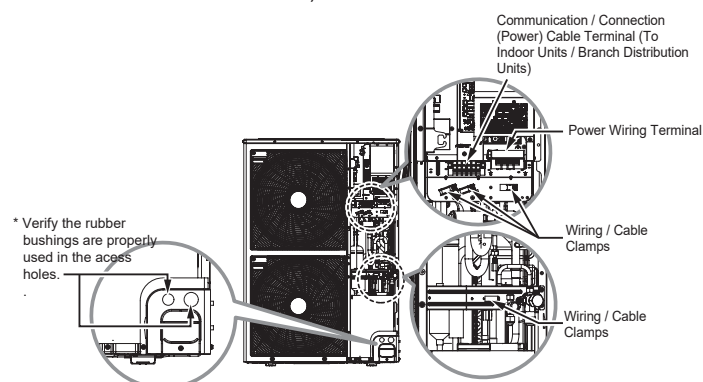


Figure 72: Location of the Power Wiring and Communication Cable Terminals LMU481-541-601HV).



Power Wiring / Communication Cable Connections

Best practice dictates using solderless ring or fork terminals at all power wiring and communication cable terminations. Use copper bearing ring or fork terminals; do not use galvanized or nickel plate over steel. Use appropriate crimping tool to attach the ring or fork terminals at all power wiring and control cable terminations.

To Install a Ring or Fork Terminal:

1. Trim the wiring with wire cutters or pliers, then strip the insulation to expose the strand wiring to about 3/8 inches.
2. Using a ring terminal fastener or pliers, securely clamp a ring terminal to each stripped wire end.

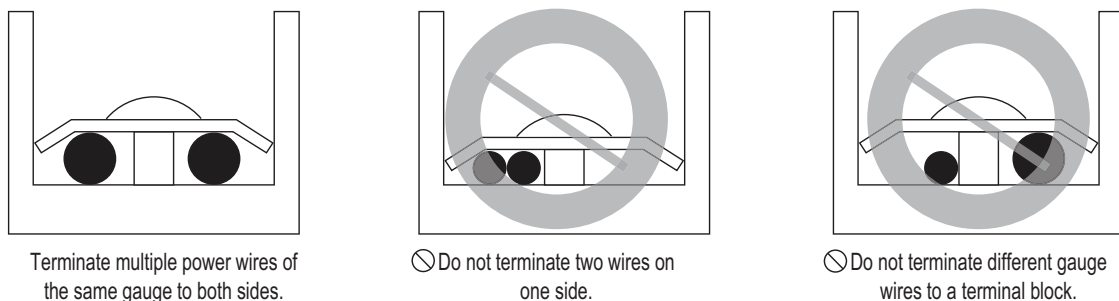
To Connect the Wiring to the Terminals:

1. Remove the JIS terminal screws from the (outdoor unit, branch distribution unit, or indoor unit) terminal plate with a JIS screwdriver. (See information about LG terminal connections on the next page.)
2. Position the ring terminal around the terminal, place the terminal screw in the ring, and tighten to the terminal plate using a JIS screwdriver.
 - Firmly attach the wire; secure in a way to prevent external forces from being imparted to the terminal block.
 - Use an appropriately sized JIS screwdriver for tightening the terminals.
 - Do not over tighten the connections; over tightening will damage the terminals.

If ring terminals or fork terminals are not available, then:

- Do not terminate different gauge wires to the power terminal block. (Slack in the wiring will generate heat.)
- When terminating wires of the same thickness, follow the instructions demonstrated in the figures below.

Figure 76: Proper and Improper Power Wiring Connections.



WARNING

If power wires are not properly terminated and firmly attached, there is risk of fire, electric shock, causing physical injury or death.

NOTE

- Never apply line voltage power to the communications cable terminal block. If contact is made, the PCBs will be damaged.
- Always include some allowance in the wiring length when terminating. Firmly attach the wiring or cable, but provide some slack to facilitate removing the electrical panels while servicing, and to prevent external forces from damaging the terminal block.

Figure 73: Close up of a Typical Ring Terminal.

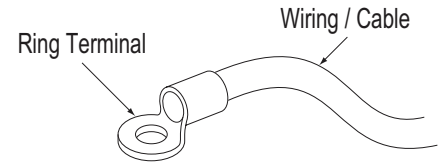


Figure 74: Adding a Ring Terminal to the Wiring.

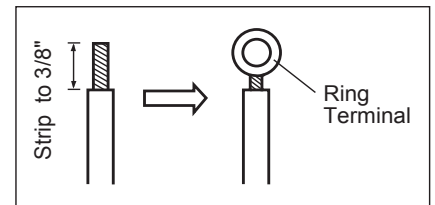
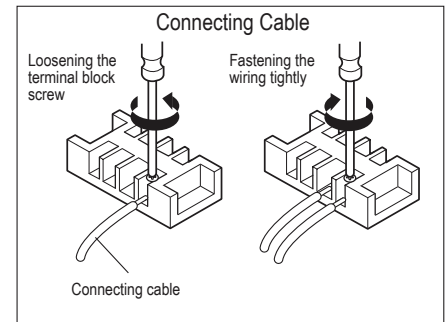


Figure 75: Tightening the Ring Terminal to the Terminal Plate.



LG Terminal Connections

LG uses a “JIS” type of screw for all terminals; use a JIS screwdriver to tighten and loosen these screws and avoid damaging the terminal. ⚠ Do not over tighten the connections — over tightening will damage the terminals — but firmly and securely attach the wiring in a way to prevent external forces from being imparted to the terminal block.

Note:


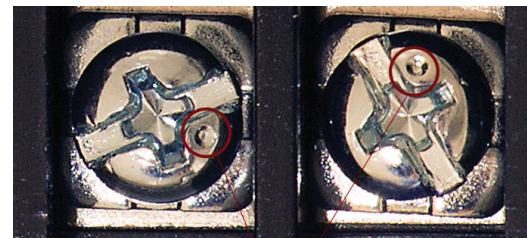
- The terminals labeled “GND” are NOT ground terminals. The terminals labeled  ARE ground terminals.
- Polarity matters. Always connect “A” to “A” and “B” to “B.”
- Always create a wiring diagram that contains the exact sequence in which all the indoor units and branch distribution units (Multi F MAX systems only) are wired in relation to the outdoor unit.
- ⚠ Do not include splices or wire nuts in the communication cable.

Figure 77: JIS Screws.



JIS DIMPLES

Power Supply / Power Wiring Specifications

- Multi F and Multi F MAX systems operate at 1Ø, 208-230V, 60Hz, and power is wired to the outdoor unit only. The outdoor unit will supply power to the indoor units and the branch distribution units (Multi F MAX systems only) through the communication / connection (power) cable.
- Power supply to the outdoor unit must be selected based on NEC and local codes. Maximum allowable voltage fluctuation $\pm 10\%$ or nameplate rated value.
- Power wiring to the outdoor unit(s) must be solid or stranded, and must comply with all local and national electrical codes.
- Properly ground the outdoor unit and indoor unit per NEC and local codes.
- Ground wire must be longer than the common power / communication wires.
- Connect the wiring firmly so the wires cannot be easily pulled out.
- Refer to the inside of the chassis cover or control cover for circuit and terminal block diagrams.
- Always match color codes of each wire and follow wiring diagram.
- ⚠ Do not install power wiring to the outdoor unit and the communication / connection (power) cable to the indoor unit in the same conduit. Use separate conduits.

Figure 79: Multi F / Multi F MAX Outdoor Unit Power Wiring.

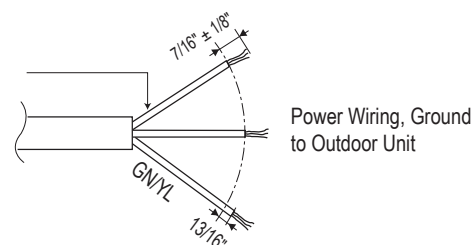
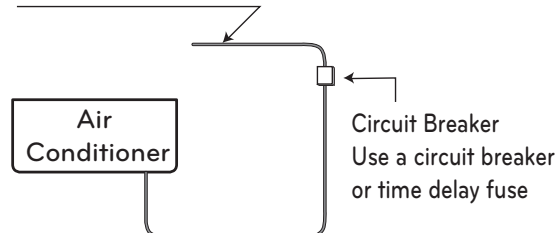


Table 32: Circuit Breaker / Fuse Size.

| Outdoor Unit Model | Power Source | Fuse or Breaker Capacity |
|--------------------|--------------|--------------------------|
| LMU183HV, LMU243HV | 1Ø, 208-230V | 20A |
| LMU303HV, LMU363HV | 1Ø, 208-230V | 25A |
| LMU481HV, LMU541HV | 1Ø, 208-230V | 40A |
| LMU601HV | 1Ø, 208-230V | |

Figure 78: Circuit Breaker Main Power Source



⚠ WARNING

- Always have a trained service provider properly ground the outdoor unit. If the outdoor unit is not properly grounded, there is a risk of electric shock, resulting in physical injury, or death.
- Provide a circuit breaker between the power source and the outdoor unit. Failure to do so will cause bodily injury or death.

Communication / Connection (Power) Cable Specifications

- Insulation material as required by local code.
- Rated for continuous exposure of temperatures up to 140°F.
- Firmly attach the cable; provide slack but secure in a way to prevent external forces from being imparted on the terminal block.
- Wiring must be completed without splices.

Multi F Systems:

- Communication / connection (power) cable from the outdoor unit to the indoor unit must use a minimum of 14 AWG, four (4) conductor, stranded, shielded or unshielded (if shielded, it must be grounded to the chassis of the outdoor unit only), and must comply with applicable local and national codes.
- Use of 14 AWG, four (4) conductor, stranded, shielded or unshielded wire is allowed for lengths up to the published maximum pipe length, plus recommended slack at both ends.

Multi F MAX Systems:

- All communication / connection (power) cable from the outdoor unit to the branch distribution unit(s) must be a minimum of 14 AWG, four (4) conductor, stranded, shielded or unshielded (if shielded, it must be grounded to the chassis of the outdoor unit only), and must comply with applicable local and national codes.
- Communication / connection (power) cable from the branch distribution unit(s) to the indoor units must use a minimum of 14 AWG, four (4) conductor, stranded, shielded or unshielded (if shielded, it must be grounded to the chassis of the outdoor unit only), and must comply with applicable local and national codes.
- Use of 14 AWG, four (4) conductor, stranded, shielded or unshielded wire is allowed for lengths up to the published maximum pipe length, plus recommended slack at both ends.

Note:

- Use a conduit for the communications / connection (power) cable from the outdoor unit to the indoor units and branch distribution unit(s). Electrical interference may cause product malfunction.
- ⓧ Never ground the shield of the communications cable to the indoor unit frame or other grounded entities of the building. Ground the communications cable shield only at the outdoor unit. Improperly grounding this cable can cause communications errors.
- The communications / connection (power) cable from the outdoor unit to the indoor units / branch distribution unit(s) must be separated and isolated from power wiring to the outdoor unit, computers, radio and television broadcasting facilities, as well as medical imaging equipment. Electrical interference may cause product malfunction.

Figure 80: Typical Multi F / Multi F MAX Outdoor and Indoor / Branch Distribution Unit Wiring and Communications Cable Diagram.

Power Wiring, Ground, Communication Cable From Outdoor Unit To Indoor Unit or from the Outdoor Unit to the Branch Distribution Unit

GN/YL = (Ground, Yellow)

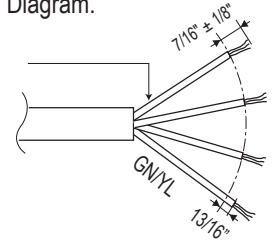


Figure 81: Typical Multi F System General Power / Communications System Schematic.

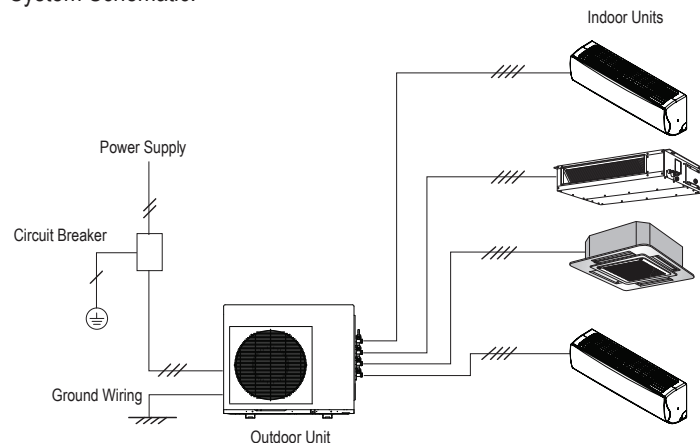


Figure 82: Typical Multi F MAX System General Power / Communications System Schematic.

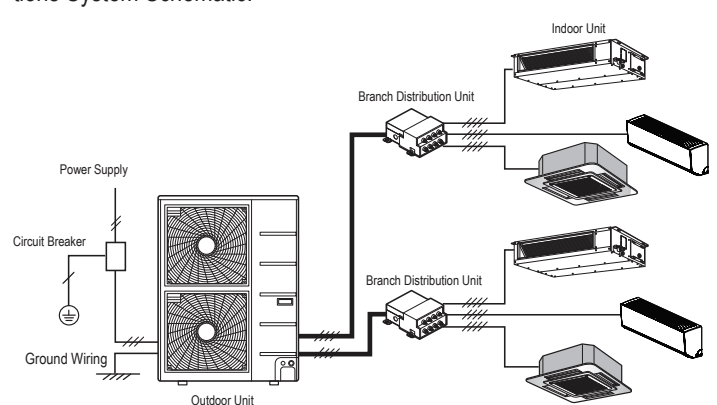
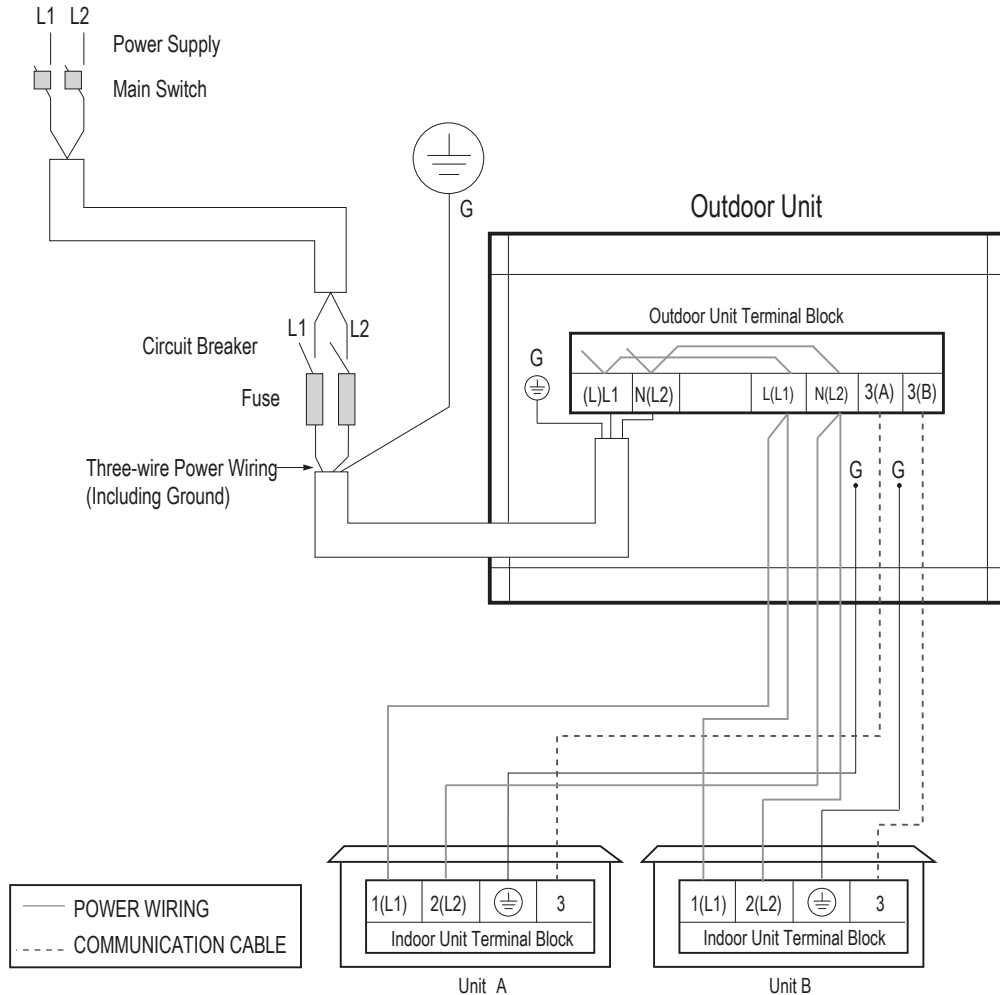


Figure 83: Multi F LMU183HV System Power Wiring and Communications Cable.



⚠ WARNING

- All field-supplied wiring, components, and materials must comply with all applicable national, state, and local codes and requirements. Improper wiring will result in fire, electric shock, causing physical injury or death.
- Ground wiring is required to prevent accidental electrical shock during current leakage, communication problems from electrical noise, and motor current leakage. ⚠ Do not connect the ground line to the pipes. There is a risk of fire, electric shock, explosion, resulting in physical injury or death.
- Install a main shutoff switch or circuit breaker that interrupts all power sources simultaneously. There is a risk of fire, electric shock, explosion, resulting in physical injury or death.

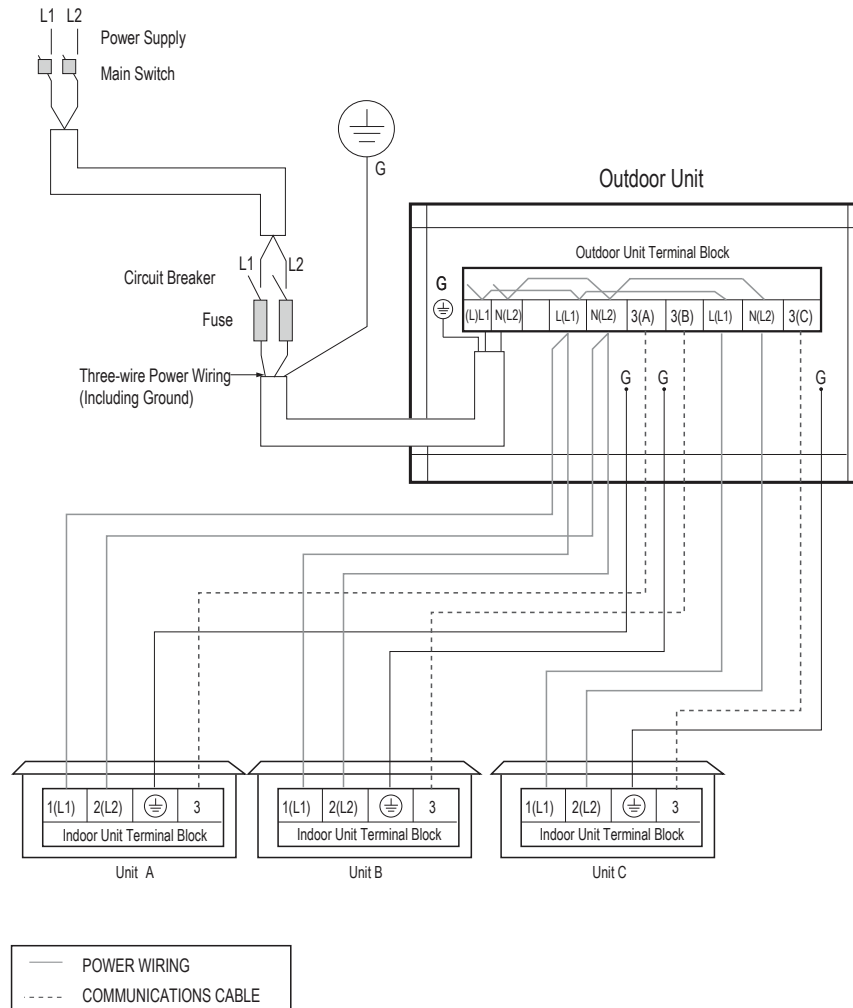
Note:

- Terminal block labels, appearances, and location will vary depending on outdoor unit model.
- Maintain polarity throughout the communication network. The system will malfunction if not properly wired.

⚠ NOTE

- All field-supplied wiring, components, sizes, and materials must comply with all applicable national, state, and local codes and requirements. Failure to install proper electrical components can result in property damage and equipment malfunction.
- Ground wiring is required to prevent communication problems from electrical noise, and motor current leakage. Failure to provide proper ground wiring can result in property damage and equipment malfunction.
- Install a main shutoff switch or circuit breaker that interrupts all power sources simultaneously. Failure to install proper electric components will result in property damage and equipment malfunction.

Figure 84: Multi F LMU243HV System Power Wiring and Communications Cable.



⚠ WARNING

- All field-supplied wiring, components, and materials must comply with all applicable national, state, and local codes and requirements. Improper wiring will result in fire, electric shock, causing physical injury or death.
- Ground wiring is required to prevent accidental electrical shock during current leakage, communication problems from electrical noise, and motor current leakage. ⚠ Do not connect the ground line to the pipes. There is a risk of fire, electric shock, explosion, resulting in physical injury or death.
- Install a main shutoff switch or circuit breaker that interrupts all power sources simultaneously. There is a risk of fire, electric shock, explosion, resulting in physical injury or death.

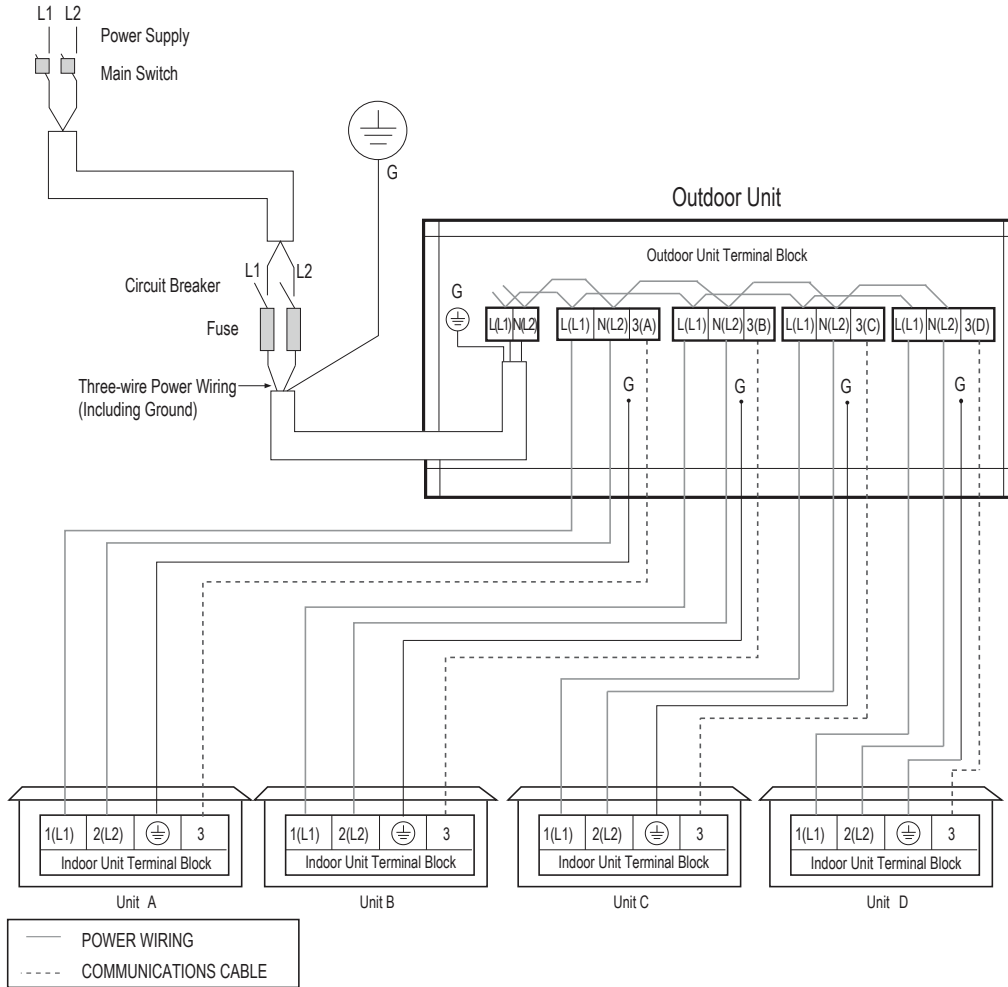
Note:

- Terminal block labels, appearances, and location will vary depending on outdoor unit model.
- Maintain polarity throughout the communication network. The system will malfunction if not properly wired.

⚠ NOTE

- All field-supplied wiring, components, sizes, and materials must comply with all applicable national, state, and local codes and requirements. Failure to install proper electrical components can result in property damage and equipment malfunction.
- Ground wiring is required to prevent communication problems from electrical noise, and motor current leakage. Failure to provide proper ground wiring can result in property damage and equipment malfunction.
- Install a main shutoff switch or circuit breaker that interrupts all power sources simultaneously. Failure to install proper electric components will result in property damage and equipment malfunction.

Figure 85: Multi F LMU303HV and LMU363HV System Power Wiring and Communications Cable.



⚠ WARNING

- All field-supplied wiring, components, and materials must comply with all applicable national, state, and local codes and requirements. Improper wiring will result in fire, electric shock, causing physical injury or death.
- Ground wiring is required to prevent accidental electrical shock during current leakage, communication problems from electrical noise, and motor current leakage. ⚡ Do not connect the ground line to the pipes. There is a risk of fire, electric shock, explosion, resulting in physical injury or death.
- Install a main shutoff switch or circuit breaker that interrupts all power sources simultaneously. There is a risk of fire, electric shock, explosion, resulting in physical injury or death.

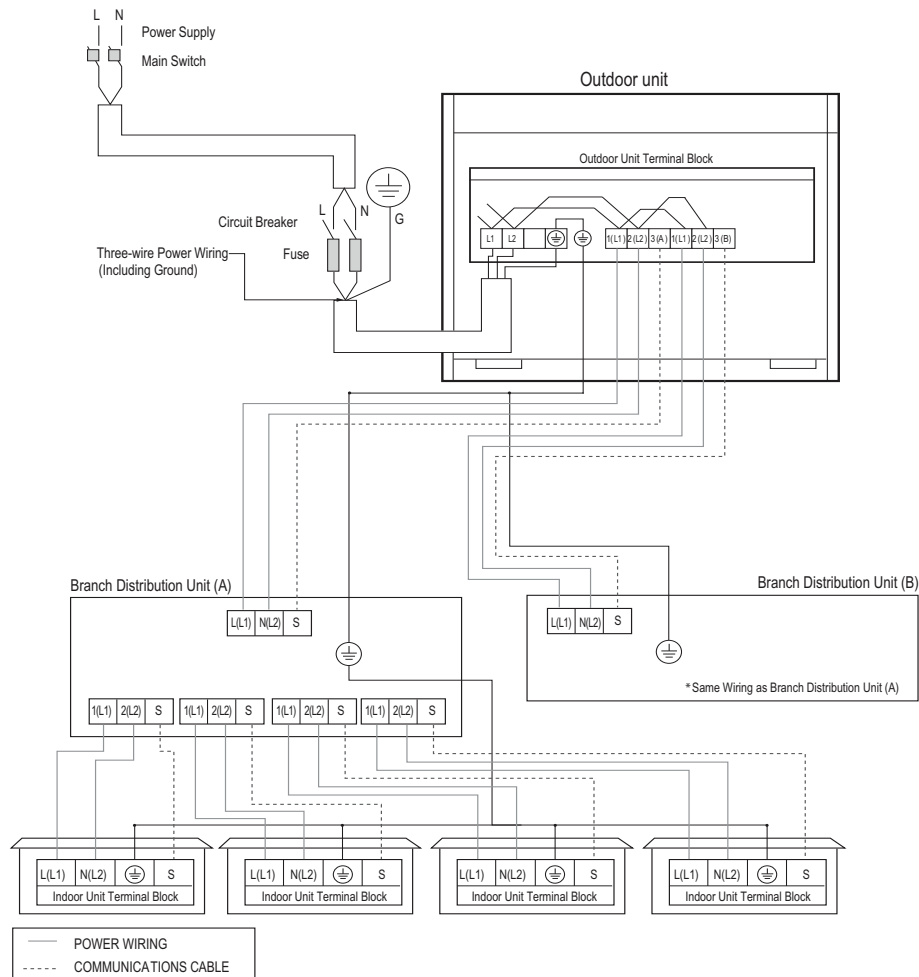
Note:

- Terminal block labels, appearances, and location will vary depending on outdoor unit model.
- Maintain polarity throughout the communication network. The system will malfunction if not properly wired.

⚠ NOTE

- All field-supplied wiring, components, sizes, and materials must comply with all applicable national, state, and local codes and requirements. Failure to install proper electrical components can result in property damage and equipment malfunction.
- Ground wiring is required to prevent communication problems from electrical noise, and motor current leakage. Failure to provide proper ground wiring can result in property damage and equipment malfunction.
- Install a main shutoff switch or circuit breaker that interrupts all power sources simultaneously. Failure to install proper electric components will result in property damage and equipment malfunction.

Figure 86: Multi F MAX LMU481HV and LMU541HV System Power Wiring and Communications Cable.



⚠ WARNING

- All field-supplied wiring, components, and materials must comply with all applicable national, state, and local codes and requirements. Improper wiring will result in fire, electric shock, causing physical injury or death.
- Ground wiring is required to prevent accidental electrical shock during current leakage, communication problems from electrical noise, and motor current leakage. ⚡ Do not connect the ground line to the pipes. There is a risk of fire, electric shock, explosion, resulting in physical injury or death.
- Install a main shutoff switch or circuit breaker that interrupts all power sources simultaneously. There is a risk of fire, electric shock, explosion, resulting in physical injury or death.

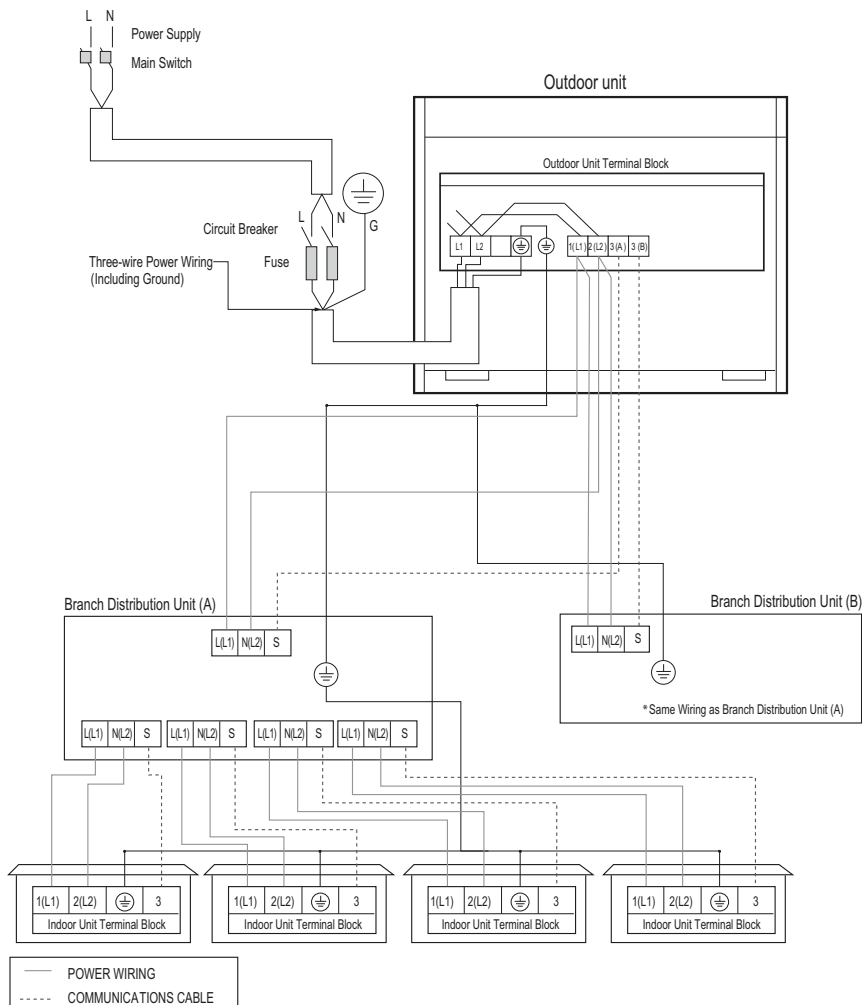
Note:

- Terminal block labels, appearances, and location will vary depending on outdoor unit model.
- Maintain polarity throughout the communication network. The system will malfunction if not properly wired.

⚠ NOTE

- All field-supplied wiring, components, sizes, and materials must comply with all applicable national, state, and local codes and requirements. Failure to install proper electrical components can result in property damage and equipment malfunction.
- Ground wiring is required to prevent communication problems from electrical noise, and motor current leakage. Failure to provide proper ground wiring can result in property damage and equipment malfunction.
- Install a main shutoff switch or circuit breaker that interrupts all power sources simultaneously. Failure to install proper electric components will result in property damage and equipment malfunction.

Figure 87: Multi F MAX LMU601HV System Power Wiring and Communications Cable.



⚠ WARNING

- All field-supplied wiring, components, and materials must comply with all applicable national, state, and local codes and requirements. Improper wiring will result in fire, electric shock, causing physical injury or death.
- Ground wiring is required to prevent accidental electrical shock during current leakage, communication problems from electrical noise, and motor current leakage. ⚡ Do not connect the ground line to the pipes. There is a risk of fire, electric shock, explosion, resulting in physical injury or death.
- Install a main shutoff switch or circuit breaker that interrupts all power sources simultaneously. There is a risk of fire, electric shock, explosion, resulting in physical injury or death.

Note:

- Terminal block labels, appearances, and location will vary depending on outdoor unit model.
- Maintain polarity throughout the communication network. The system will malfunction if not properly wired.

⚠ NOTE

- All field-supplied wiring, components, sizes, and materials must comply with all applicable national, state, and local codes and requirements. Failure to install proper electrical components can result in property damage and equipment malfunction.
- Ground wiring is required to prevent communication problems from electrical noise, and motor current leakage. Failure to provide proper ground wiring can result in property damage and equipment malfunction.
- Install a main shutoff switch or circuit breaker that interrupts all power sources simultaneously. Failure to install proper electric components will result in property damage and equipment malfunction.

Connecting the Communications / Connection (Power) Cables

1. Detach the outdoor unit panels by loosening the screws.
2. Remove the control cover (if applicable) by loosening the screws.
3. Remove the conduit knock outs or access holes.
4. Pull the power wiring, and the communications / connection (power) cable into the outdoor unit (through the conduits, if applicable). Ensure there is enough length to connect to the terminals on the outdoor unit. Secure any conduits with field-supplied lock nuts.
5. Connect the power wiring, and the communications / connection (power) cable to the correct terminals on the outdoor unit.
6. Connect communications / connection (power) cable to the correct control board terminals on the indoor unit (or branch distribution unit[s] if Multi F MAX system).
7. Follow the wiring diagrams on the outdoor unit and indoor units (or branch distribution unit[s]) control covers. Ensure that the terminal board numbers and wiring color on the outdoor unit matches the terminal number and wiring color on the indoor unit or branch distribution unit(s).
8. Provide strain relief and help protect the connections by (separately) securing the wiring / cable to the outdoor unit with the factory-supplied clamps (up to 35 lbs.). Clamps are included near the terminal block. Zip ties can also be used to hold all cables in place.
9. For more installation information for specific indoor units, refer to the separate indoor unit installation manuals on www.lghvac.com.
10. When all connections are complete, reattach the control cover to its original position using the screws, then reinstall the outdoor unit panel.
11. After installation is complete, seal any gaps around the wiring in the panel access holes or the conduits.

Figure 88: Connecting the Power Wiring / Communications Cables to the Outdoor Unit (LMU183-243-303-363HV) (Appearances Will Vary).

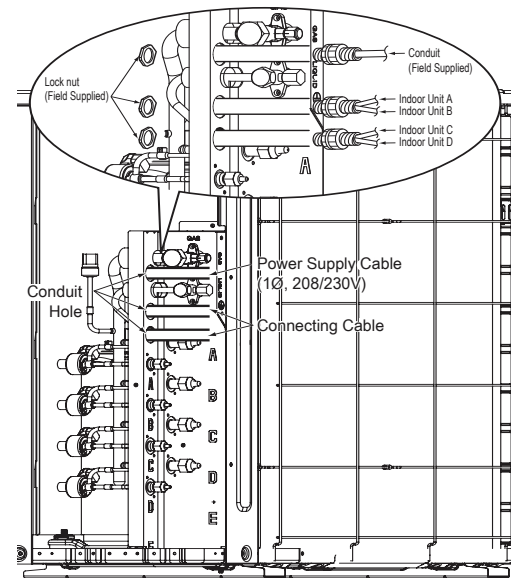


Figure 89: Connecting the Power Wiring / Communications Cables to the Outdoor Unit (LMU481-541HV).

⚠ WARNING

- Always have a trained technician properly ground the outdoor unit. If the outdoor unit is not properly grounded, there is a risk of electric shock, physical injury, or death.
- Failure to properly install wiring can result in electric shock, fire, physical injury or death.
- Failure to properly provide a NEC-approved earth ground can result in electric shock, fire, physical injury or death.
- Comply with local and national codes while running the wire from the indoor unit (and branch distribution units if Multi F MAX system) to the outdoor unit (size of wire and wiring method, etc). Incorrectly sized wiring will cause the terminal to overheat, generate a fire, and risk physical injury or death.
- All wiring / cable must be firmly connected to its terminal. Loose wiring will cause the terminal to overheat, generate a fire, and risk physical injury or death.
- Do not allow the wiring / cable to touch refrigerant tubing, the compressor, or any moving parts. It can result in electric shock, fire, physical injury or death.
- Replace all control box and panel covers. If cover panels are not installed securely, dust, water and animals will enter the outdoor unit, causing fire, electric shock, and physical injury or death.

Note:

- Ensure the communications / connection (power) cable from the outdoor units to the indoor / branch distribution units, and the power wiring to the outdoor unit are separate; otherwise, the outdoor unit operation will be affected by electrical noise and will malfunction.
- The communications / connection (power) cable from the outdoor unit to the indoor / branch distribution units must be separated and isolated from power wiring to the outdoor unit, computers, elevators, radio and television broadcasting facilities, as well as medical imaging equipment; otherwise, the outdoor unit operation will be affected by electrical noise and will malfunction or fail.
- All wiring / cable must be firmly connected to its terminals. Loose wiring will result in unit malfunction.

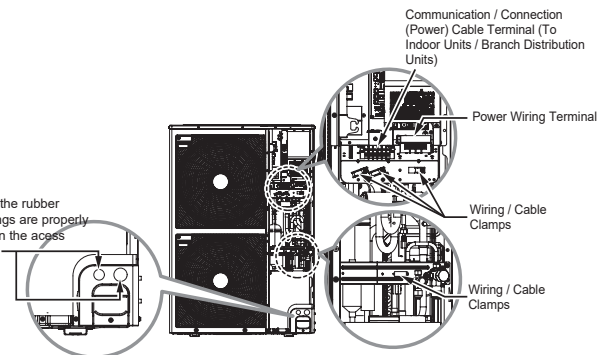


Figure 90: Connecting the Power Wiring / Communications Cables to the Outdoor Unit (LMU601HV).

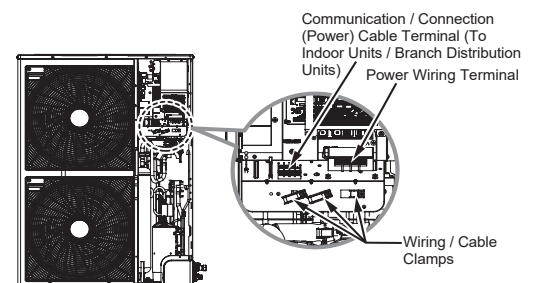
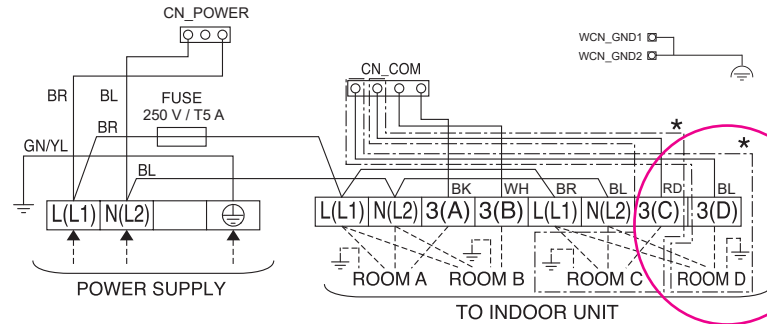
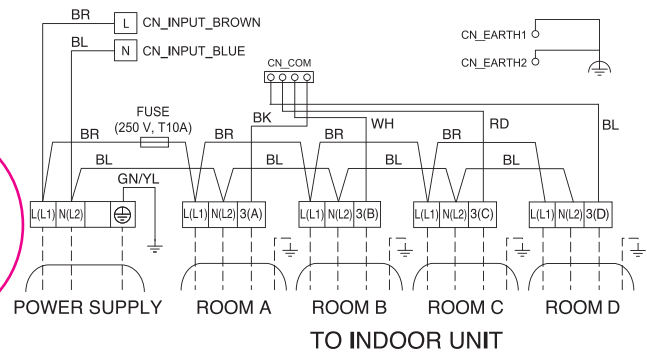


Figure 91: Detailed Diagrams of Outdoor Unit PCB Terminal Connections.

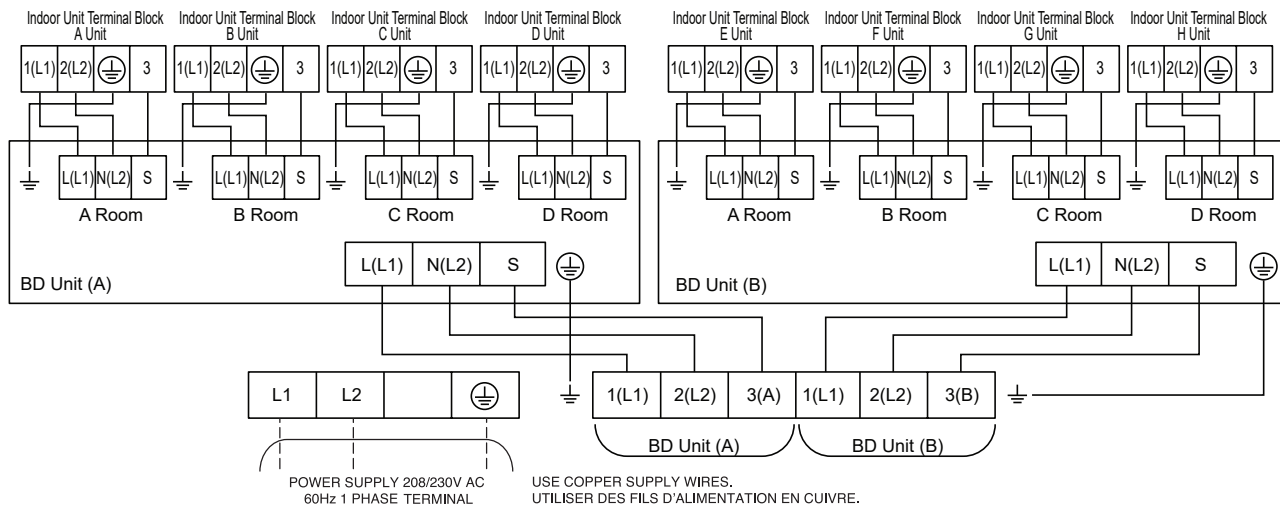
LMU183HV / LMU243HV (18 / 24 kBtu/h)



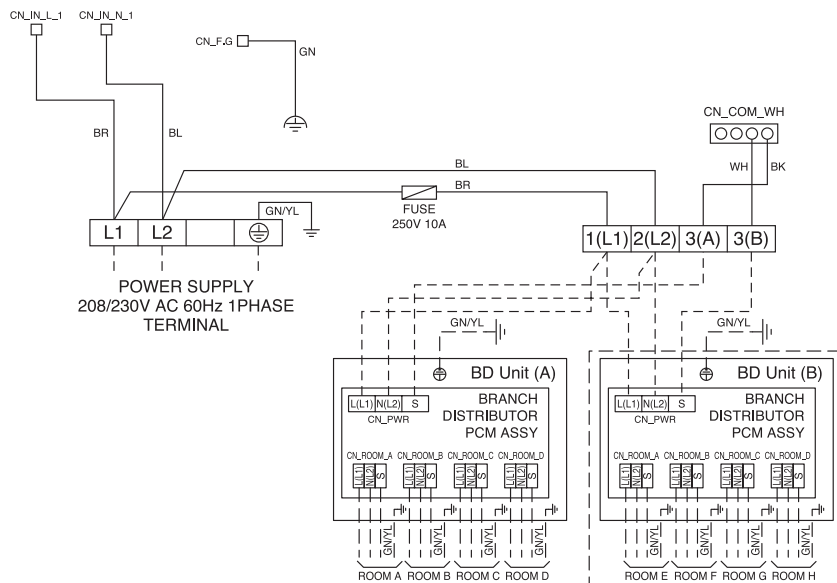
LMU303HV / LMU363HV (30 / 36 kBtu/h)



LMU481HV / LMU541HV (48 / 54 kBtu/h)



LMU601HV (60 kBtu/h)

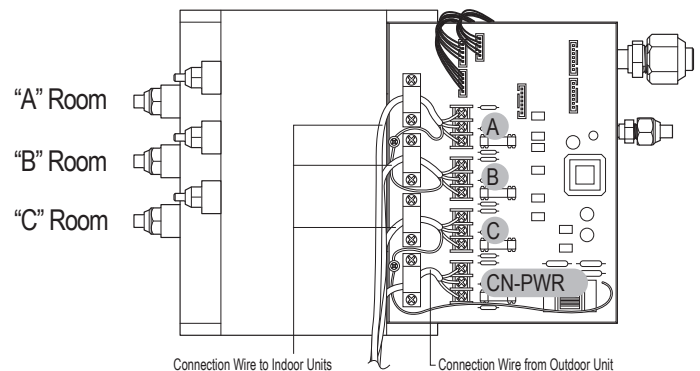


Connecting the Communications / Connection (Power) Cable to the Branch Distributor Unit (Multi F MAX Systems Only)

General Instructions

- Always connect power wiring / communications cable matching the branch distribution unit terminals to their respective indoor units (Example for three-port branch distribution unit PMBD3630: A, B, and C).
- Follow the instructions on the nameplates and connect wiring / cables of the outdoor unit and indoor units to the correct terminals. Always attach each ground wire separately to a grounding screw.
- After completion, secure wiring with wire clamps. Secure wiring firmly to the indoor unit.

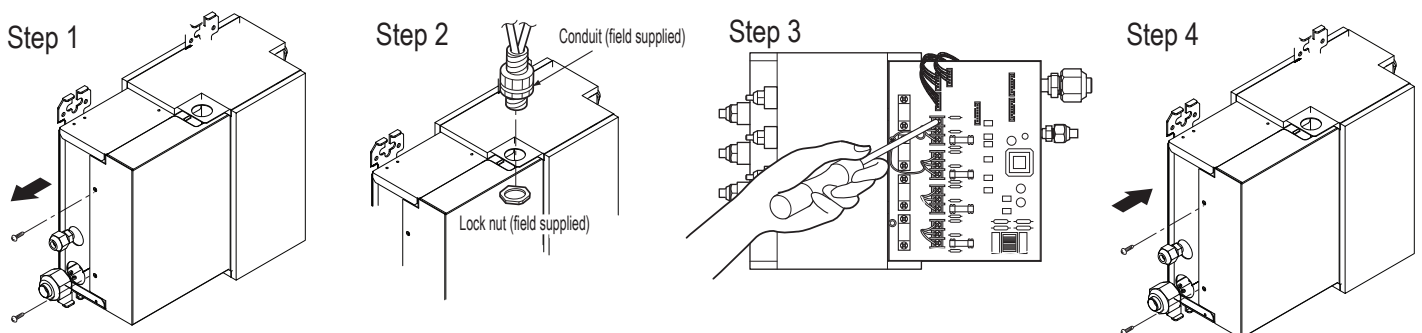
Figure 92: Interior View of a Branch Distribution Unit (Three-Port PMBD3630 Example Shown).



Branch Distribution Unit Wiring Connection Procedure

1. Remove the branch distribution unit control cover. Unscrew the two (2) screws, and slide the cover off the branch distribution frame following the arrows in the diagram (Step 1).
2. Draw the communications / connection (power) cable from the outdoor unit so there is enough length to connect to the terminals on the branch distribution unit. Secure a field-supplied conduit to the branch distribution unit using a field-supplied lock nut on the interior of the branch distribution unit frame (Step 2). Pull the communication / connection (power) cable through the conduit into the branch distribution unit.
3. Connect communications / connection (power) cable from the outdoor unit to the branch distribution unit terminals, and from the branch distribution unit terminals to the indoor unit terminals following the wiring diagram on the outdoor unit control cover (Step 3). Allow 11-13/16 inches of slack in the wire harness. Attach communications / connection (power) cable to the branch distribution unit with clamps at four (4) locations.
4. Replace the branch distribution unit control cover following the arrows in the diagram. Tighten the two (2) screws to finish (Step 4).

Figure 93: Branch Distribution Unit Wiring Steps.



⚠ WARNING

⊘ Do not use tapped wires, stand wires, extension cords, or starburst-type connections as they will cause overheating, fire, electric shock, resulting in physical injury or death.

Note:

Always refer to the circuit diagram on the inside of the outdoor unit control cover.

PI-485

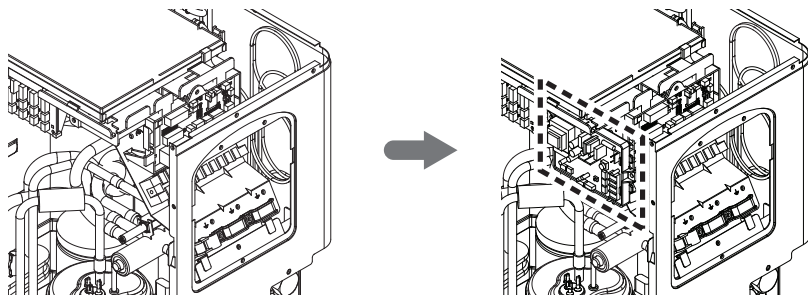
PI-485 V-net Control Integration Board for Outdoor Units adapt Multi F / Multi F MAX systems to a LG VRF system central protocol for integration with LG central controllers. The PI-485 is installed in the Multi F / Multi F MAX outdoor unit. For more information on PI-485 installation, see the PI-485 installation manual.

Figure 95: PI-485 Installation Area in Multi F and Multi F MAX Outdoor Units.

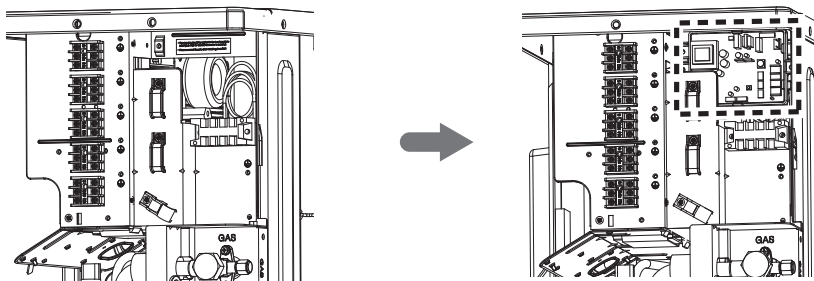
Figure 94: PI-485 Board (Appearance will differ depending on model).



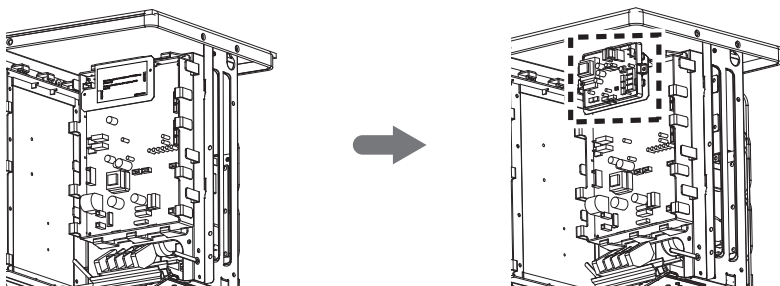
LMU183HV, LMU243HV (18 / 24 kBTu/h)



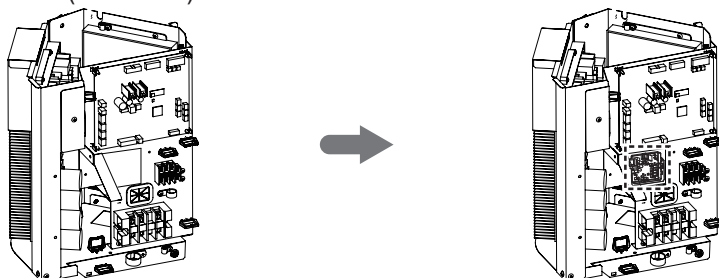
LMU303HV, LMU363HV (30 / 36 kBTu/h)



LMU481HV, LMU541HV (48 / 54 kBTu/h)



LMU601HV (60 kBTu/h)



From Indoor Units to Remote Controllers

- Communication cable from indoor unit to remote controller(s) is to be LG supplied or field supplied 22 AWG, 3-conductor, twisted, stranded, unshielded. Wiring must comply with all applicable local and national codes.
- If using the LG supplied cable and the length needs to be extended, the LG Extension Kit (sold separately) must be used. A maximum of four (4) kits (up to 165 feet) can be used.
- Remote controllers have hardwired connections: SIG - 12V - GND (Comm.) terminals.
- Indoor unit controller connections depend on type of indoor unit being installed. Some indoor units use terminal block connections; other indoor units use Molex connections. See diagrams below for the two options. Refer to the wiring diagram schematic found in the indoor unit itself, or to the indoor unit wiring diagrams in the Engineering Manuals for more information.
- ⚠ NEVER splice, cut, or extend LG supplied cable with field provided cable. Always include enough cable to cover distance between the indoor unit and the remote controller.
- Set the indoor unit operating parameters using DIP switches, or by setting up the remote controller. Refer to the indoor unit installation manuals for more details.

Figure 96: One Example of Indoor Unit to Zone Controller Connection.

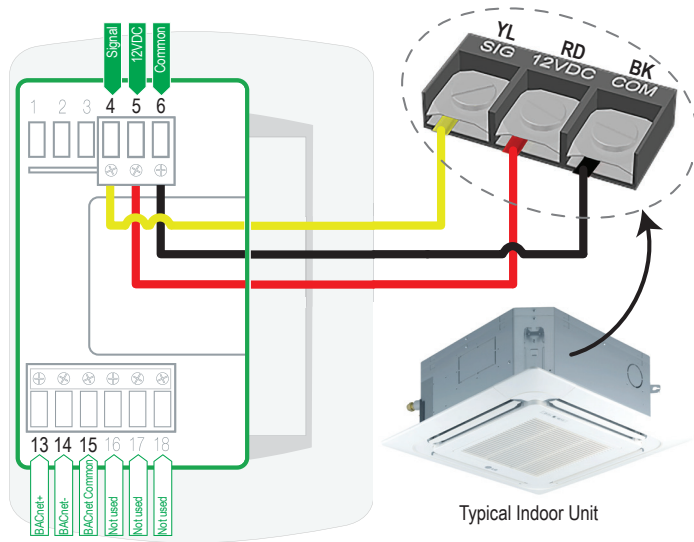
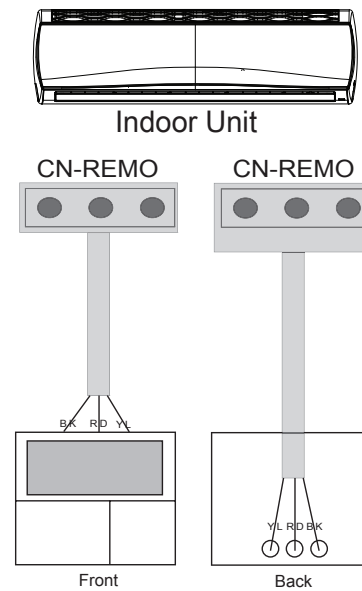


Figure 97: Another Example of Indoor Unit to Zone Controller Connection.



Note:

Cable connected to Zone Controller is the factory default connection.

Between Multiple Indoor Units Operating as a Group (Group Control)

If any indoor units were specified to operate in unison:

- Before running cable, decide which indoor unit will be the "Main." The other indoor units in that group will be designated as "Sub(s)." The zone controller will be connected to the "Main."
- Set the pertinent DIP switch at each indoor unit to identify the Main and Sub(s). On wall mounted indoor unit models, set the assignment using the handheld remote controller.
- Use a daisy chain configuration and connect all of the group's indoor units together starting at the "Main" unit.
- ⚠ NEVER splice, cut, or extend cable length with field provided cable. Always include enough cable to cover distance between all components.

For indoor units with hardwired connections SIG - 12V - GND (Comm.) terminals:

- From the controller to the main indoor unit, use 22 AWG, 3-conductor, twisted, stranded, unshielded. All wiring must comply with all applicable local / national codes.
- From the main indoor unit to the sub indoor unit(s), daisy chain using 22 AWG, 3-conductor, twisted, stranded, unshielded. All wiring must comply with all applicable local / national codes.
- (⚠ Do not attach wire to 12VDC terminal to the sub indoor units). All wiring must comply with all applicable local and national codes.
- ⚠ NEVER splice, cut, or extend cable length; always include enough cable to cover distance between all components.

For indoor units with CN-REMO connections:

Use one (or multiple) Group Control Kit(s) (sold separately) containing extension and Y-splitter cables. Use one (1) group control cable kit for each indoor unit in the group except for the last indoor unit. ⚠ NEVER splice, cut, or extend cable length with field provided cable.

Note:

- Cable connected to zone controller is the factory default connection.
- Indoor unit connections depend on indoor unit type.

General Specifications

- Wired remote controllers can be connected to all indoor unit types.
- Wireless controllers can be used in conjunction with wired remote controllers.
- A dry contact unit can be connected with a central controller simultaneously.
 - The main indoor unit is recognized by the dry contact unit and the central controller.
 - Group Control only available for indoor units manufactured after February 2009.
 - The central controller can control indoor units after setting the address of the main indoor unit only.
 - Sub indoor unit cannot be individually controlled by central controller.
 - Sub indoor unit will operate like the main indoor unit.
- If an error occurs with the indoor unit, the error will be displayed on the wired remote controller.
- The following functions are available with group control:
 - Selection of operation options (operation/mode/set temperature)
 - Control of air flow rate (High/Medium/Low)

Figure 98: Example of Indoor Unit Group to Zone Controller Connections (Sig-12V-GND [Comm.] Terminal).

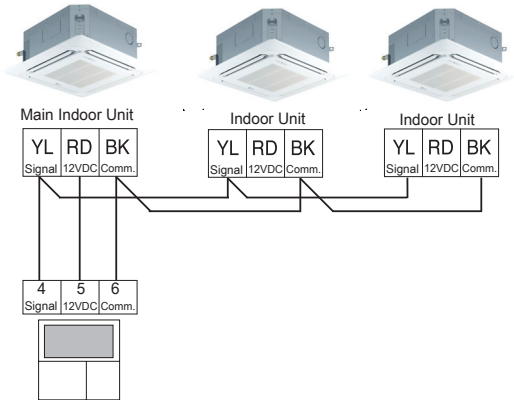


Figure 99: Example of Indoor Unit Group to Zone Controller Connections (CN-REMO).

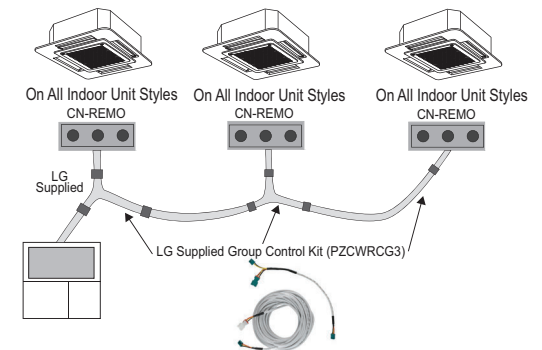


Table 33: Accessories for Some Group Control Applications.

| Accessory | Model Number | Image |
|--|--------------|-------|
| Wired Remote Group Control Cable Assembly, Required for connecting multiple indoor units to a control group | PZCWRCG3 | |
| Wired Remote/Wired Remote Extension Cable, Required for extending the distance between indoor units or remote controllers in a control group | PZCWRC1 | |

Triple Leak / Pressure Test

After the refrigerant piping installation is complete, perform a triple leak / pressure test. Triple leak / pressure test is performed between the outdoor unit and indoor units (and branch distribution units [Multi F MAX only]) to verify that refrigerant can flow through the system without danger of leaks or pressure losses. Air and moisture that is left in the piping can lead to undesirable results and can cause damage to the system. It is important to go through a complete leak / pressure cycle to be sure that the refrigerant piping is cleared out. This process will have to be repeated if any air or moisture be is found to remain in the piping.

NOTE

Insufficient or incorrectly done air purging will lead to the following:

- Pressure in the system can rise.
- Operating current can rise.
- Inefficient cooling or heating mode capability.
- Moisture in the refrigerant circuit will freeze and block capillary tubing.
- Water can lead to corrosion of parts in the system.

DANGER

Using combustible gases, including oxygen will result in fire or explosion, resulting in personal injury or death. Use inert gas (medical-grade dry nitrogen) when checking leaks, cleaning, installing/repairing pipes, etc. The use of at least 800 psig nitrogen regulator is required for safety.

NOTE

Piping system must not be pressured to more than 550 psi. Pressures greater than 550 psi will damage the piping system and cause unit malfunction.

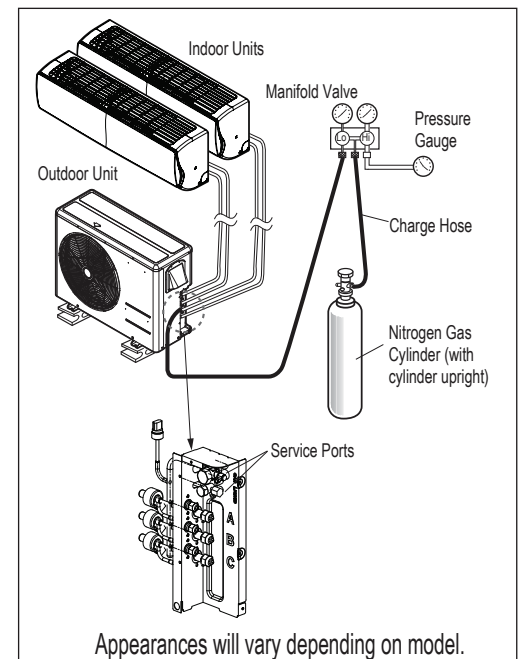
Note:

- Do not apply power to the system before performing a system leak test. There is a possibility that the EEV valve will close and isolate sections of the piping system, making the leak test inconclusive.
- Never perform the leak test using refrigerant.
- To avoid nitrogen entering the refrigerant system in a liquid state, the top of the cylinder must be higher than its bottom (used in a vertical standing position) when the system is pressurized.
- Use only a leak-free gauge manifold set.

Triple Leak / Pressure Check Procedure

1. After the refrigerant piping installation is complete, open the isolation ball valves, if any, that could have been installed in the piping system.
2. Verify that both the liquid and gas (vapor) suction line outdoor unit service ports are closed, and the stem head access caps are tight. The leak / pressure check is to be performed only to the refrigerant piping system, and all connected indoor units and branch distribution units (Multi F MAX units only).
3. Remove the caps on both the liquid and gas (vapor) suction Schrader ports. Connect the (medical-grade dry) nitrogen cylinder regulator to a gauge manifold, then connect the gauge manifold to the Schrader ports on the service ports.
4. Perform the leak / pressure check at 150 psig for fifteen (15) minutes (standing pressure check).
5. Perform the leak / pressure check at 300 psig for thirty (30) minutes (standing pressure check).
6. Perform the leak / pressure check at 550 psig for one (1) hour to make sure the piping system is leak-free. After the gauge reading reaches 550 psig, isolate the system by first closing the gauge manifold, then close the nitrogen cylinder valve. Check the flared (and any brazed connections) for leaks by applying a bubble solution to all joints. Also test for leaks at both service valves.

Figure 100: Triple Leak / Pressure Test Diagram.




FINAL INSTALLATION PROCEDURES

MULTI F
MULTI F MAX

Triple Leak / Pressure and Deep Evacuation Tests

Triple Leak / Pressure Check Procedure, continued.

NOTE

The bubble solution must be a solution designed for refrigerant leak testing. Common soap solution must  never be used on refrigerant piping as those contain chemicals that could corrode copper and brass, and cause product malfunction.

7. If the pressure does NOT drop for one (1) hour, the system passes the test.
8. If the pressure drops, there is a leak and it must be found. Remove the bubble solution with a clean cloth, repair the leak(s), and perform the leak / pressure check again.
9. After the system has been thoroughly tested and no leaks are present, depressurize by loosening the charging hose connector at the nitrogen cylinder regulator. When system pressure returns to normal, completely disconnect the charging hose from the cylinder, and release the nitrogen charge from all refrigerant piping. Wipe off any remaining bubble solution with a clean cloth.

Deep Evacuation Procedure


On Multi F systems, after the leak / pressure check is complete, the deep evacuation procedure must be performed to the refrigerant piping and all connected indoor units. On Multi F MAX systems, the triple evacuation procedure (seen on page 77) must be performed. Deep evacuation must be performed through the Schrader ports on the outdoor unit service ports.

Note:



The triple evacuation procedure seen on page 77 is a best practices recommendation for Multi F systems, but mandatory for Multi F MAX systems.

Note:

For faster evacuation, the Schrader core can be removed, and an auxiliary service port can be used. Make sure to re-install the original Schrader core before operating the system.

- Deep evacuate through both the liquid and gas (vapor) suction Schrader ports on the outdoor unit service ports.
- The outdoor unit service valves must remain closed and the stem head access caps tight.  Do not open the outdoor unit service valves and release the factory refrigerant charge until trim charge is complete, and the system is ready to operate.
- Any field-installed ball valves in the refrigerant system (if used) must be open to ensure all piping is free and clear for deep evacuation on all piping and connected indoor units.

Note:

-  Do not apply power to the system before performing the deep evacuation procedure. There is a possibility that the EEV valve will close and isolate sections of the piping system, making the deep evacuation procedure inconclusive.
-  Never perform evacuation using refrigerant.
- Use only a vacuum pump that can reach 500 microns, vacuum rated hoses or copper tubing, and a leak-free gauge manifold set.
- Use only new vacuum pump oil from a properly sealed (unopened) container, and change oil in pump before EVERY use.
- Subsequent oil changes will be necessary after several hours of continuous operation; have extra oil on hand.
- Use a quality micron gauge in good operating order and install as far away from pump as possible.

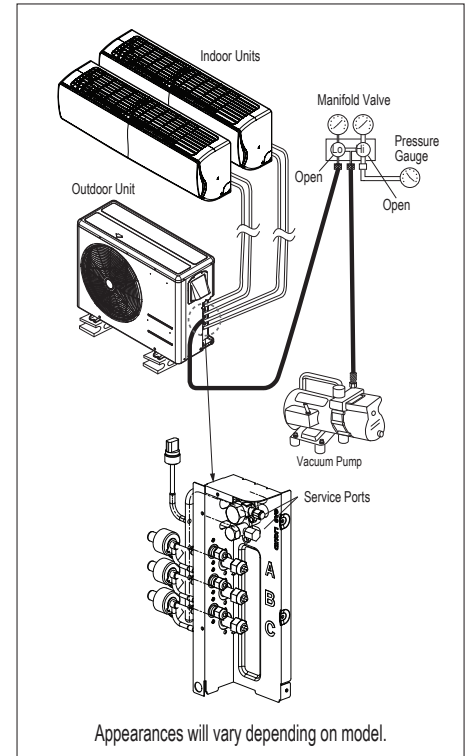
Deep Evacuation Procedure Steps

1. If this procedure is performed shortly after the leak / pressure test, the cap and core on the liquid and gas (vapor) suction Schrader ports must have already been removed, and the manifold must already be connected. If the procedure was not performed shortly after the leak / pressure test, make sure to remove the cap and core on the liquid and gas (vapor) suction Schrader ports. Verify that the service valves on the outdoor unit are closed, and the stem head access caps are tight.
2. Connect the gauge manifold along with the vacuum pump to the liquid and gas (vapor) suction Schrader ports (with core removed) using a vacuum hose. Open the gauge manifold and the vacuum pump valves.

Deep Evacuation Procedure, continued.

3. Evacuate to static micron level ≤ 500 for at least one (1) hour.
4. Micron level must remain ≤ 500 for two (2) hours. If the vacuum gauge rises and stops, the system could contain moisture; therefore, it will be necessary to repeat the steps of vacuum break and drying.
5. After maintaining the system in vacuum ≤ 500 micron for two (2) hours, check if the vacuum gauge rises or not. If it doesn't rise, then the system is properly evacuated.
6. Close manifold gauges.
7. Shut the valves before turning off and disconnecting the vacuum pump.

Figure 101: Evacuation Procedure Diagram.



Triple Evacuation Procedure

On Multi F MAX systems, after the leak / pressure check is complete, the triple evacuation procedure must be performed to the refrigerant piping and all connected indoor units / branch distribution units. ⚠ Do not just perform the deep evacuation procedure on Multi F MAX systems. The deep evacuation procedure is insufficient to fully evacuate the extensive piping systems on Multi F MAX products. Triple evacuation must be performed through the Schrader ports on the outdoor unit service ports.

Note:

The triple evacuation procedure is a best practices recommendation for Multi F systems, but mandatory for Multi F MAX systems.

Note:

For faster evacuation, the Schrader core can be removed, and an auxiliary service port can be used. Make sure to re-install the original Schrader core before operating the system.

- Evacuate through both the liquid and gas (vapor) suction Schrader ports on the outdoor unit service ports.
- The outdoor unit service valves must remain closed and the stem head access caps tight. ⚠ Do not open the outdoor unit service valves and release the factory refrigerant charge until trim charge is complete, and the system is ready to operate.
- Any field-installed ball valves in the refrigerant system (if used) must be open to ensure all piping is free and clear for evacuation on all piping and connected indoor units / branch distribution units.

Note:


- ⚠ Do not apply power to the system before performing the evacuation procedure. There is a possibility that the EEV valve will close and isolate sections of the piping system, making the evacuation procedure inconclusive.
- ⚠ Never perform evacuation using refrigerant.
- Use only a vacuum pump that can reach 500 microns, vacuum rated hoses or copper tubing, and a leak-free gauge manifold set.
- Use only new vacuum pump oil from a properly sealed (unopened) container, and change oil in pump before EVERY use.
- Subsequent oil changes will be necessary after several hours of continuous operation; have extra oil on hand.
- Use a quality micron gauge in good operating order and install as far away from pump as possible.

Triple Evacuation Test

Triple Evacuation Procedure Steps

1. If this procedure is performed shortly after the leak / pressure test, the cap and core on the liquid and gas (vapor) suction Schrader ports must have already been removed, and the manifold must already be connected. If the procedure was not performed shortly after the leak / pressure test, make sure to remove the cap and core on the liquid and gas (vapor) suction Schrader ports. Verify that the service valves on the outdoor unit are closed, and the stem head access caps are tight.
2. Connect the gauge manifold along with the vacuum pump to the liquid and gas (vapor) suction Schrader ports (with core removed) using a vacuum hose. Open the gauge manifold and the vacuum pump valves.

Note:

- After the vacuum pump is first operated, if hoses, manifold, and vacuum valves are leak free (and oil is not moisture laden), the gauge must read <100 microns within one (1) minute.
 -  Do not proceed if the gauge does not read <100 microns within one (1) minute. There is a leak in the hose, gauge manifold, or vacuum valve, and the equipment must be replaced.
3. Operate the vacuum pump and evacuate the system to the 2,000 micron level. Isolate the pump by closing the manifold gauges and the vacuum pump valve, and then watch the micron level. Micron level will rise a bit, but MUST eventually stop rising for fifteen (15) minutes.
 - If the micron level DOES NOT stop rising, there is a leak, and the leak test must be performed again.
 - If the micron level DOES rise above 2,000 micron, re-open the manifold gauges and the vacuum pump valve and continue evacuation back down to 2,000 micron level.
 - If the micron level holds at 2,000 micron, continue to step 4.
 4. Break vacuum with 50 psig nitrogen purge for an appropriate amount of time (this is to “sweep” moisture from piping).
 5. Purge nitrogen from the system until the pressure drops down to 1 to 3 psig.
 6. Evacuate to 1,000 micron level. Isolate the pump by closing the manifold gauges and the vacuum pump valve, and then watch the micron level. Micron level will rise a bit, but MUST eventually stop rising for fifteen (15) minutes.
 - If the micron level DOES NOT stop rising, there is a leak, and the leak test must be performed again.
 - If the micron level DOES rise above 1,000 micron, re-open the manifold gauges and the vacuum pump valve, and continue evacuation back down to 1,000 micron level.
 - If the micron level holds at 1,000 micron, continue to step 7.
 7. Break vacuum with 50 psig nitrogen purge for an appropriate amount of time.
 8. Purge nitrogen from the system until the pressure drops down to 1 to 3 psig.
 9. Evacuate to static micron level ≤ 500 for at least one (1) hour.
 10. Micron level must remain ≤ 500 for one (1) hour. If the vacuum gauge rises and stops, the system could contain moisture; therefore, it will be necessary to repeat the steps of vacuum break and drying (Steps 7 Through 9).
 11. After maintaining the system in vacuum ≤ 500 microns for one (1) hour, check if the vacuum gauge rises or not. If it doesn't rise, then the system is properly evacuated.
 12. Close manifold gauges.
 13. Shut the valves before turning off and disconnecting the vacuum pump.

LG Multi F and Multi F MAX outdoor units ship from the factory with a charge of R410A refrigerant. A trim charge will need to be added to take into account additional piping length.

To determine the additional refrigerant that is needed, apply the formulas below, and record the results. If the total additional refrigerant charge value is a negative number, then an additional trim charge does not need to be added to the system.

Table 34: Outdoor Unit Factory Charge.

| Outdoor Unit | Factory Charge lbs. of R410A |
|--------------|------------------------------|
| LMU183HV | 3.97 |
| LMU243HV | 3.97 |
| LMU303HV | 6.17 |
| LMU363HV | 6.17 |
| LMU481HV | 9.26 |
| LMU541HV | 9.26 |
| LMU601HV | 11.46 |

Multi F Systems

$$\begin{aligned} \text{Additional charge (lbs.)} &= (\text{Installed Length of Branch [A]} - \text{Chargeless Pipe Length [L]}) \times a \\ &+ (\text{Installed Length of Branch [B]} - \text{Chargeless Pipe Length [L]}) \times a \\ &+ (\text{Installed Length of Branch [C]} - \text{Chargeless Pipe Length [L]}) \times a \\ &+ (\text{Installed Length of Branch [D]} - \text{Chargeless Pipe Length [L]}) \times a \\ &- \text{CF (Correction Factor)} \times 5.29 \end{aligned}$$

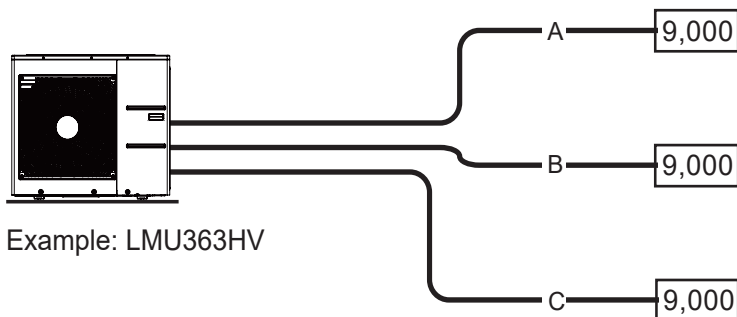
Note:

- Number of installed length of branches depends on the specifications of the outdoor unit model.
- CF = Maximum number of connectible indoor units – Total number of connected indoor units.

Table 35: Multi F Outdoor Unit Piping Specifications.

| Outdoor Unit Model | Min. to Max. Piping Length for One Branch (ft.) | Max. Total System Piping Length (ft.) | Chargeless Pipe Length per Branch (L) (ft.) | Piping Length (No Additional Refrigerant [ft]) | Additional Charge Needed (a) (oz./ft.) |
|--------------------|---|---------------------------------------|---|--|--|
| LMU183HV | 9.8 to 82 | 164 | 24.6 | 98.4 | 0.22 |
| LMU243HV | 9.8 to 82 | 230.0 | 24.6 | 98.4 | 0.22 |
| LMU303HV | 9.8 to 82 | 246.1 | 24.6 | 98.4 | 0.22 |
| LMU363HV | 9.8 to 82 | 246.1 | 24.6 | 98.4 | 0.22 |

Figure 102: Multi F Additional Refrigerant Charge Example.



Each branch pipe
 A = 82 ft.
 B = 16 ft.
 C = 49 ft.

$$\begin{aligned} \text{Additional Charge} &= (82 - 24.6) \times 0.22 \\ &+ (16 - 24.6) \times 0.22 \\ &+ (49 - 24.6) \times 0.22 \\ &- (4 - 3) \times 5.29 \\ &= 10.82 \text{ oz.} \end{aligned}$$

FINAL INSTALLATION PROCEDURES

MULTI F
MULTI F MAX

Refrigerant Charge

Multi F MAX Systems

Additional charge (lbs.) = (Total Main Piping Length [A] - Chargeless Pipe Length of Main Pipe [L]) x a
 + Total Installed Length of Branch [B1+B2+B3...] - Chargeless Branch Length [B] x b.
 - CF (Correction Factor) x 3.53

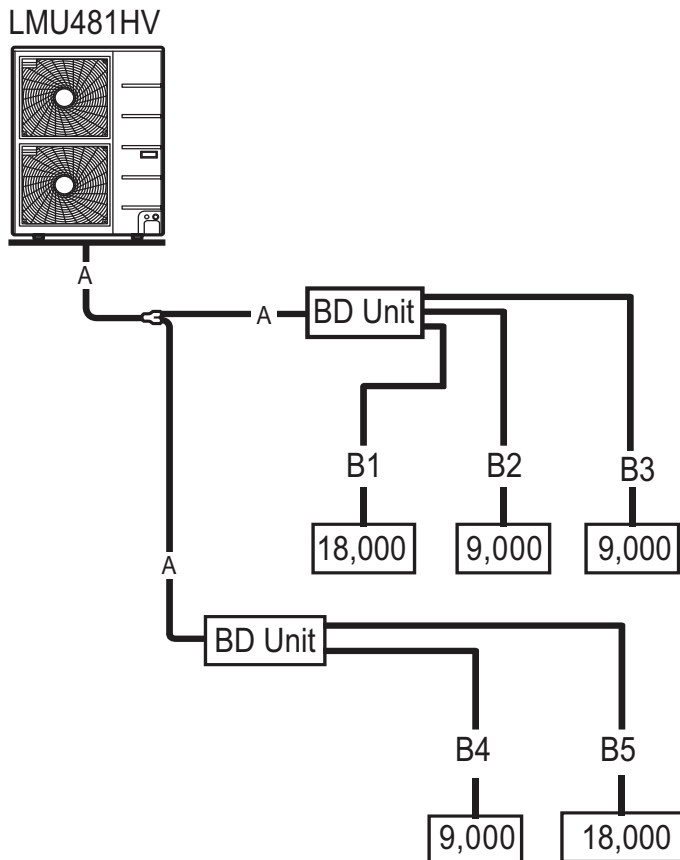
Note:

- Number of installed length of branches depends on system specifications.
- CF = Maximum number of connectible indoor units – Total number of connected indoor units

Table 36: Multi F MAX Outdoor Unit Piping Specifications.

| Outdoor Unit Model | Main Piping Length | | Branch Piping Length | |
|--------------------|---|--|--|--|
| | Chargeless Pipe Length of Main Pipe (L) (ft.) | Additional Charge Needed (a) (oz./ft.) | Chargeless Pipe Length of Branch Pipe (ΣB) (ft.) | Additional Charge Needed (b) (oz./ft.) |
| LMU481HV | 16.4 | 0.54 | 131.2 | 0.22 |
| LMU541HV | 16.4 | 0.54 | 131.2 | 0.22 |
| LMU601HV | 49.2 | 0.54 | 131.2 | 0.22 |

Figure 103: Multi F MAX Additional Refrigerant Charge Example.



- Total main pipe (A) = 60 ft.
- Each branch pipe
 B1 = 49 ft.
 B2 = 17 ft.
 B3 = 17 ft.
 B4 = 10 ft.
 B5 = 23 ft.

Additional Charge
 = (60 - 16.4) x 0.54
 + (116 - 131.2) x 0.22
 - (8 - 5) x 3.53
 = 9.61 oz.

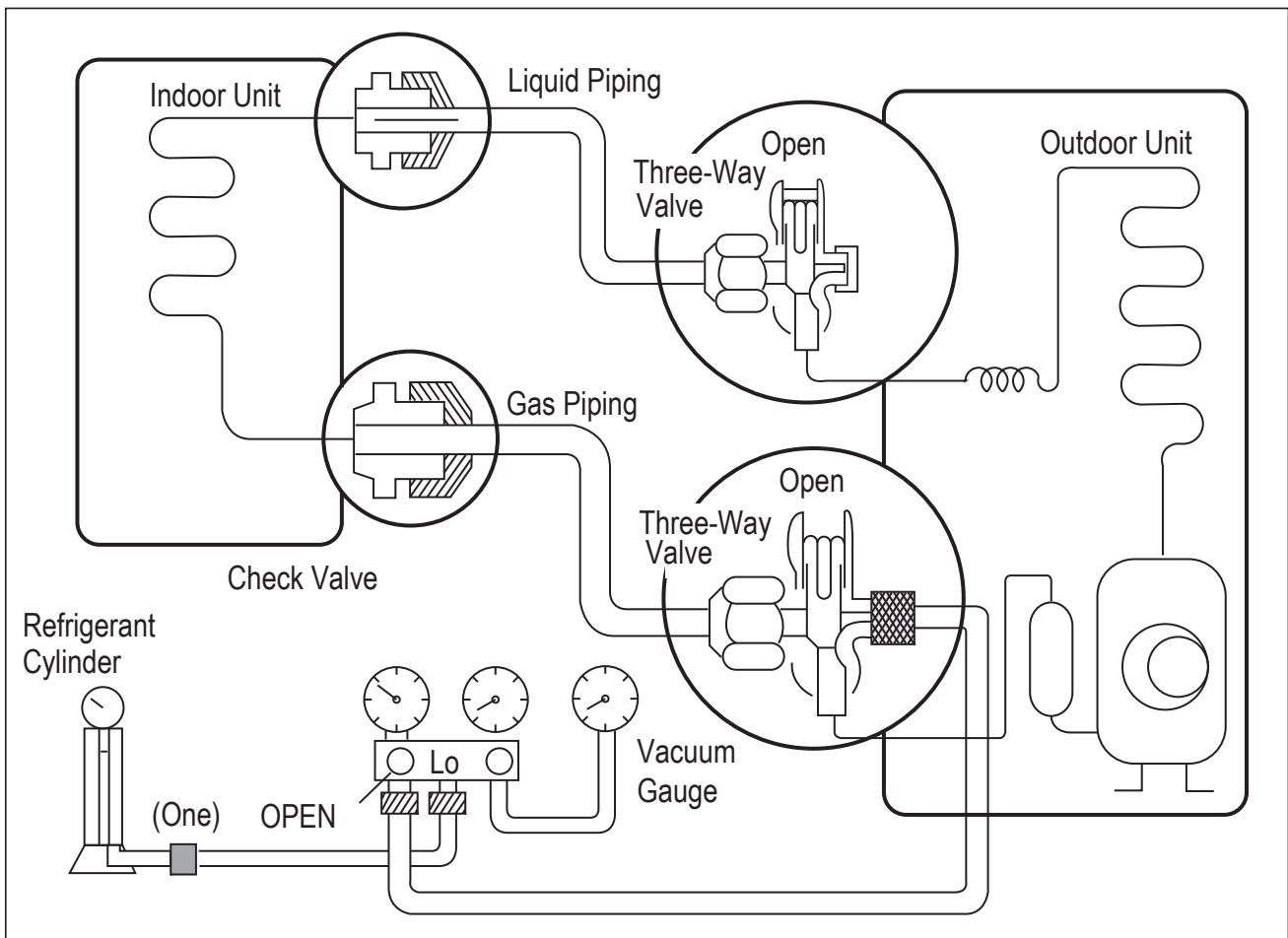
Refrigerant Charge

1. Determine the additional refrigerant amount that is needed, Trim Charge, applying the necessary formulas as outlined in the previous pages.
2. Connect the charging cylinder to the charge hose on the manifold valve.
3. Purge air from the charge hose by opening the valve at the bottom of the cylinder, and press the check valve on the manifold valve.
4. Confirm that the "Lo" knob of the manifold valve is open and charge the system with liquid refrigerant. (Because R-410A is a non-azeotrope refrigerant, it must be charged in the liquid state.)
 - If the required amount of refrigerant cannot be charged all at once, the refrigerant can be charged a little at a time (approximately 5.29 ounces) while the system operates in cooling. This procedure must be repeated until the entire amount of refrigerant gets charged into the system; perform once, then wait approximately one [1] minute before resuming.
5. Immediately disconnect the charge hose from the service port on the three-way valve. Stopping halfway allows the refrigerant to discharge.
 - If the system has been charged with liquid refrigerant while it operates, turn the system off before disconnecting the hose.
6. Mount the valve stem nuts and the service port nut. Use torque wrench to tighten the service port nut to a torque of 1.8 kg.m and check for leaks.

⚠ WARNING

When installing or relocating the outdoor unit, make sure that no substance other than the specified refrigerant (R410A) enters the refrigerant circuit. The presence of foreign substances such as air can cause an abnormal pressure rise and will result in explosion and physical injury.

Figure 104: Charging the Refrigerant.



Cautions for Refrigerant Leaks / Introduction

ASHRAE Standards 15 and 34 offer guidelines that address refrigerant safety and the maximum allowable concentration of refrigerant in an occupied space. Refrigerant will dissipate into the atmosphere, but a certain volume of air is required for this to occur safely. For R410A refrigerant, the maximum allowable concentration is 0.026 lbs./ft³ per 1,000 ft³ of air in an occupied space. Buildings with twenty-four (24) hour occupancy allow half of that concentration.¹

ASHRAE Standards 15 and 34 assume that if a system develops a leak, its entire refrigerant charge will dump into the area where the leak occurs. To meet ASHRAE Standards 15 and 34, calculate the refrigerant concentration that will occur in the smallest room volume on the system, and compare the results to the maximum allowable concentration number (see below for information on how to calculate the refrigerant concentration).¹ Also consult state and local codes in regards to refrigerant safety.

⚠ WARNING

Verify the maximum refrigerant concentration level in the space where the indoor unit will be mounted meets the concentration limit for the application. If the refrigerant leaks and safety limits are exceeded, it could result in personal injuries or death from oxygen depletion.

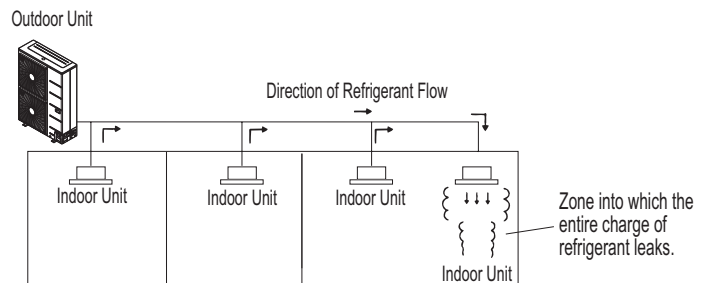
Note:

Take appropriate actions at the end of HVAC equipment life to recover, recycle, reclaim or destroy R410A refrigerant according to applicable US EPA rules.

To calculate the potential refrigerant concentration level (RCL):

1. Measure the occupied space dimensions (in feet).
2. Calculate the cubic foot volume of air in the smallest occupied space. (To obtain a detailed overview of the RCL, perform the same calculations to the second smallest zone, the third smallest zone until the RCL is obtained for all zones. Also, pay special attention to areas such as basements, etc., where refrigerant cannot dissipate easily.)
3. Divide the refrigerant charge of the Multi Zone system serving the area in pounds by the results of step 1.
4. If the calculation indicates that the potential refrigerant concentration level is higher than the allowed RCL, increase the cubic volume of the smallest occupied space or modify the piping system design.
5. The allowable RCL limit for most applications must be equal to or less than 0.026 lbs./ft³. However, in special occupied spaces, such as hospitals and nursing homes, where occupants will have limited mobility, the allowable RCL limit is cut in half. See ASHRAE Standard 34 and local codes for detailed information.¹

Figure 105: Example of R410A Refrigerant Leak Location.



Refrigerant Concentration Limit (RCL) Calculations

To calculate total refrigerant amount per system:

| | | | | |
|---|----------|---|----------|--|
| Amount of Factory-Charged Refrigerant per Outdoor Unit | + | Amount of Additional Refrigerant Trim Charge | = | Total System Refrigerant Charge |
|---|----------|---|----------|--|

$$\text{RCL (lbs./ft}^3\text{)} = \frac{\text{Total System Refrigerant Charge (lbs.)}}{\text{Volume of Smallest Occupied Space (ft}^3\text{)}}$$

¹American Society of Heating, Refrigeration and Air Conditioning Engineers, Inc. (ASHRAE). Atlanta, GA. ASHRAE, Inc. Information about ASHRAE Standard 15 / 34 and addenda current as of the date of this publication.

To determine the volume of an occupied space, the designer must also determine which ones are connected, not connected, or ventilated (refer to Standard 34).

If the calculated RCL is above the allowable limit, there are two primary methods used to lower the RCL:

1. Increase the volume of the occupied space.
2. Decrease the size of the refrigerant charge.

Per Standard 34-2007, acceptable methods used to increase the volume of an occupied space include:

- Install transfer ducts between rooms.
- Undercut and overcut doors (partitions $\leq 0.15\%$ of cubic volume of space within a zone).
- Add an opening without a door (partitions $\leq 0.15\%$ of cubic volume of space within a zone).
- Include ventilation grilles in doors; include ventilation inlets / outlets (partitions $\leq 0.15\%$ of cubic volume of space within a zone).
- Include the area above the ceiling as part of the return or supply air path (partitions $\leq 0.15\%$ of cubic volume of space within a zone).
- Install a mechanical ventilator linked to a gas leak detector.
- Change the indoor unit type (wall mounted to ceiling cassette) / position.

Figure 106: Examples of Zones.

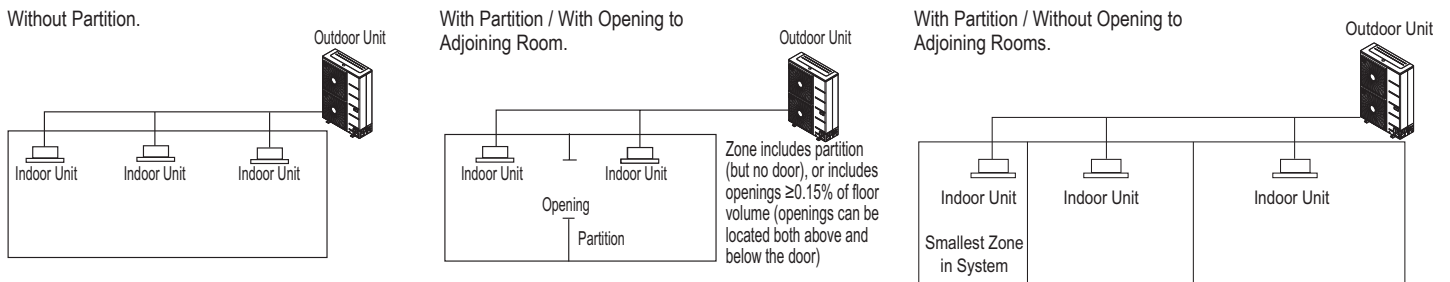
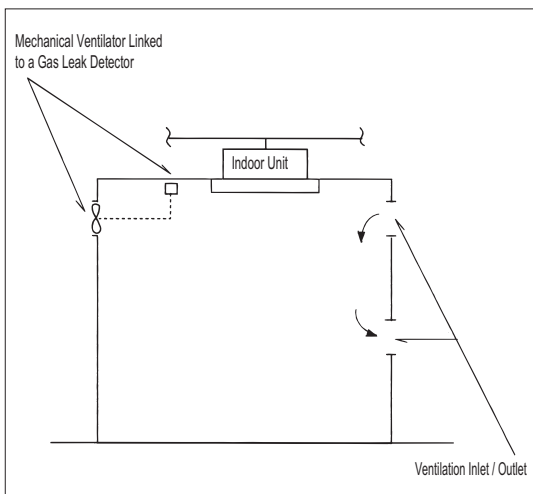


Figure 107: Example of Acceptable Ventilation Methods.



Note:

See also the LG HVAC Building Ventilation Guide on www.lghvac.com.

Test Run

Test Run

After the triple leak / pressure and evacuation procedures are complete, perform a test run.

Before the Test Run

1. Check that all condensate tubing, refrigerant piping and power wiring, and communication / connection (power) cables are properly connected.
2. Make sure that the gas and liquid service valves are fully open.

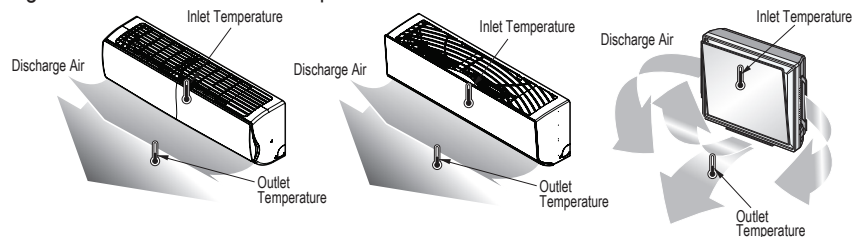
Test Run Procedure

1. Operate the system in cooling mode for 15 to 20 minutes.
2. Evaluate performance as the system runs, verifying the outdoor unit, and all indoor units and branch distribution units (Multi F MAX systems only) are working properly. Make notes as needed to address any issues that might be found.
 - Check the system refrigerant charge:
 - Measure the pressure from the gas side service valve.
 - Measure the indoor unit inlet and outlet air temperatures. Verify the difference between the intake temperature and the discharge is more than 15°F.
 - See table below for the optimum condition of the gas side pressure (again, system is in cooling mode).

Table 37: Optimum Conditions of the Gas Side Pressure.

| Refrigerant Type | Outside Ambient Temperature | Gas Side Service Valve Pressure |
|------------------|-----------------------------|---------------------------------|
| R410A | 95°F | 113~142 psig |

Figure 109: Inlet and Outlet Temperature Locations on Various Indoor Units.



Note:

If the pressure is >142 psig, the system is most likely overcharged, and refrigerant must be removed. If the pressure is <113 psig, the system is most likely undercharged and refrigerant must be added.

Installing the Remote Controller Batteries

As part of the test run, the batteries need to be inserted into the remote controller, and the remote controller will need to be powered on to operate the indoor units (depending on the indoor units included in the system). To insert the batteries, follow the steps below. For information on using the remote controller, refer to its owner's manual.

1. The remote controller needs two (2) AAA (1.5V) batteries for operation. ⚠ Do not use rechargeable batteries. Remove the battery cover from the back of the remote controller by pushing downward on the tab at the top of the battery cover and then lift up to remove.
2. Insert the two new batteries. Align batteries by the (+) and (-) sides (the interior battery compartment of the remote controller will have clear markings for the (+) and (-) placement).
3. Verify that the batteries have "clicked" into the compartment and are firmly engaged with the contacts on either side.
4. Reattach the back cover of the remote controller.
5. Proceed with powering on the remote controller and usage as needed.

Figure 110: Installing the Remote Controller Batteries.

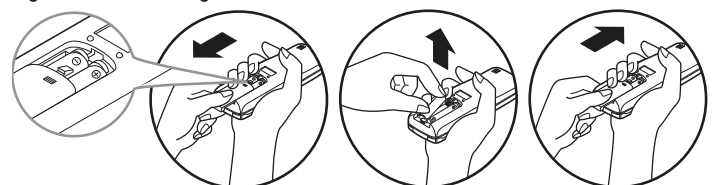
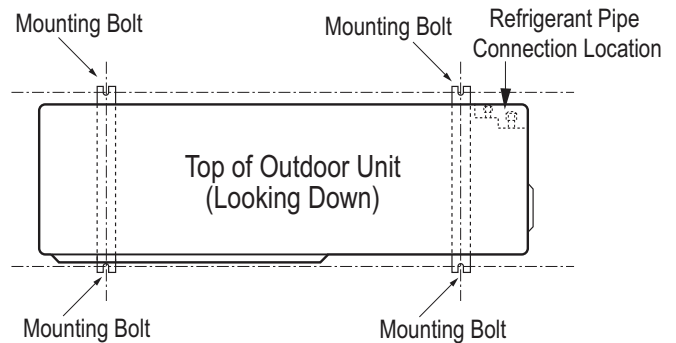


Figure 108: Piping Connection on the Outdoor Unit (Will Differ Depending on Outdoor Unit Model).



Outdoor Unit DIP Switch Settings

System must be powered off, and then turned back on to apply DIP switch settings.

⚠ WARNING

Turn off the circuit breaker or shut off the power source of the product before setting the DIP switch. There is risk of physical injury or death due to electric shock.

Note:

- Unless the applicable DIP switch is set properly, the system will not work.
- If a specific function is desired, request that the installer set the appropriate DIP switch during installation.
- Only the first four DIP switches are used to set settings and functions.

Figure 111: LMU183-243-303-363HV Outdoor Unit DIP Switches (in Normal Operation Setting).

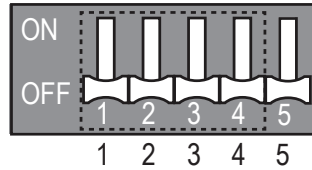


Figure 112: LMU481-541-601HV Outdoor Unit DIP Switches (in Normal Operation Setting).

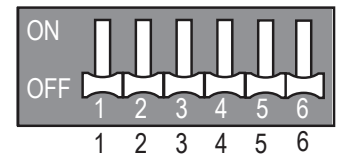


Table 38: DIP Switch Settings and Functionalities.

| DIP Switch Setting | Function |
|--------------------|--|
| | Normal Operation (No Function) |
| | Forced Cooling Operation |
| | Wiring Error Check |
| | Reducing Power Consumption (Step 1) |
| | Reducing Power Consumption (Step 2) |
| | Mode Lock (Cooling) |
| | Mode Lock (Heating) |
| | Night Quiet Mode (Step 1) |
| | Night Quiet Mode (Step 2) |
| | Mode Lock (Cooling) + Night Quiet Mode (Step 1) |
| | Mode Lock (Cooling) + Night Quiet Mode (Step 2) |
| | Reducing Power Consumption (Step 1) with Mode Lock (Cooling) |
| | Reducing Power Consumption (Step 2) with Mode Lock (Cooling) |
| | Reducing Power Consumption (Step 1) with Mode Lock (Heating) |
| | Reducing Power Consumption (Step 2) with Mode Lock (Heating) |

FINAL INSTALLATION PROCEDURES

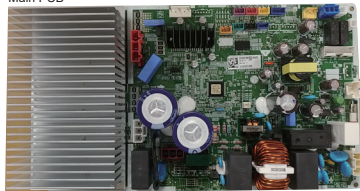
DIP Switch Settings for Optional Modes

MULTI F
MULTI F MAX

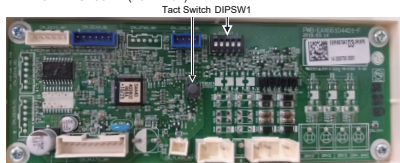
Location of DIP Switches on Multi F and Multi F MAX Outdoor Units

Figure 113: Multi F Outdoor Unit DIP Switch Locations.

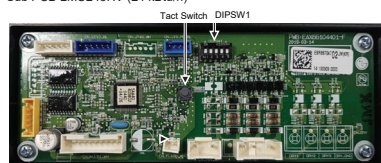
LMU183HV (18 kBTu/h) and LMU243HV (24 kBTu/h)
Main PCB



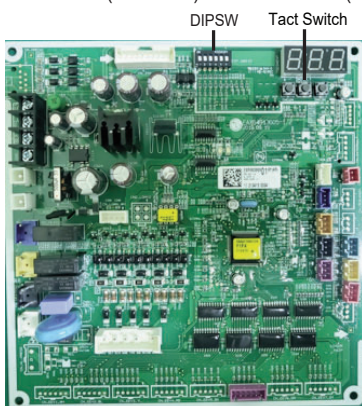
Sub PCB LMU183HV (18 kBTu/h)



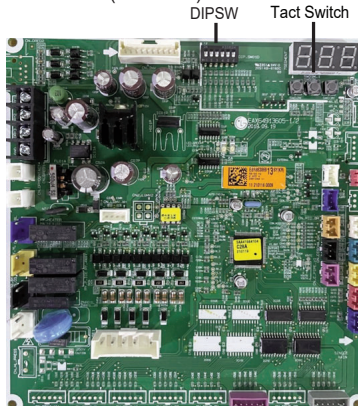
Sub PCB LMU243HV (24 kBTu/h)



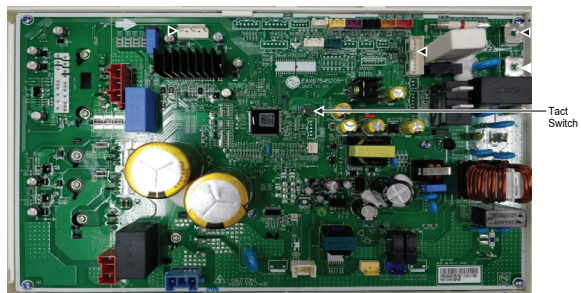
LMU481HV (48 kBTu/h) and LMU541HV (54 kBTu/h)



LMU601HV (60 kBTu/h)



LMU303HV (30 kBTu/h) and LMU363HV (36 kBTu/h)
Inverter PCB



Sub PCB



Forced Cooling Operation Function

Use to add refrigerant to the system when outside ambient temperatures are cool (ex.: winter).

1. Shut power down to the system.
2. Set DIP Switch 1 to ON.
3. Turn power on to the system.
4. Verify that the Red LED on the outdoor unit PCB is ON (indicates indoor units are in forced cooling operation).
5. Add refrigerant.

Note:

- If the green LED light on the outdoor unit PCB is ON, it indicates the compressor is OFF due to low pressure in the system.
- Turn DIP Switch 1 to OFF after finishing (Normal Operation setting).
- Only the first four DIP switches are used to set settings and functions.

Figure 114: LMU183-243-303-363HV Forced Cooling DIP Switch Setting.

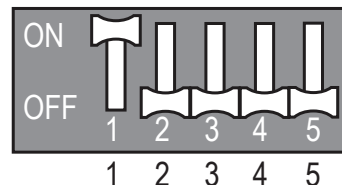
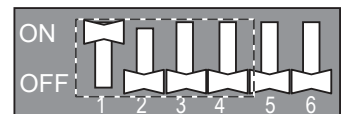


Figure 115: LMU481-541-601HV Forced Cooling DIP Switch Setting.



Wiring Error Check

Use to verify if wiring is properly installed.

1. Shut power down to the system.
2. Set DIP Switch 2 to ON.
3. Turn power on to the system.
4. Check if the Red and Green LEDs on the outdoor unit PCB are ON (indicate indoor units are in forced operation mode).
5. If the wiring is correctly installed, the Green LED will light up. If the wiring is incorrectly installed, the Red and Green LEDs will blink, indicating which part of the system is in error.
 - Red LED = Piping Number
 - Green LED = Wiring Number (Room)

Example: If the Red LED blinks twice and the Green LED blinks three times, the second piping to the third room is in error (see at right).

Note:

- If the indoor unit(s) are not communicating properly to the outdoor unit, the Wiring Error Check cannot operate correctly.
- Only the part of the system in error will be displayed. System will operate correctly after the error is fixed.
- If outdoor and indoor temperatures are too low (ex.: winter), the wiring error check function will not operate (Red LED is ON).
- Turn DIP Switch 2 to OFF after finishing (Normal Operation setting).
- Only the first four DIP switches are used to set settings and functions.

Reducing Power Consumption

Enables more efficient system operation by reducing the maximum power consumption value (reducing the MCA).

1. Shut power down to the system.
2. For Step 1, set only DIP Switch 3 to ON.
3. For Step 2, set only DIP Switch 4 to ON.
4. Turn power on to the system.

Table 39: Reducing Power Consumption Current Levels.

| Phase | 1Ø | | |
|------------|----------------------------------|----------------------------------|---|
| Model | Multi F LMU183HV, LMU243HV | Multi F LMU303HV, LMU363HV | Multi F MAX LMU481HV, LMU541HV, LMU601HV |
| Step 1 (A) | 9 | 13 | 22 |
| Step 2 (A) | 8 | 11 | 21 |

Figure 120: LMU183-243-303-363HV Reducing Power Consumption DIP Switch Settings.

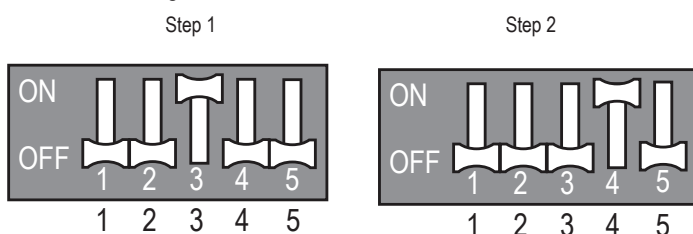


Figure 116: LMU183-243-303-363HV Wiring Error Check DIP Switch Setting.

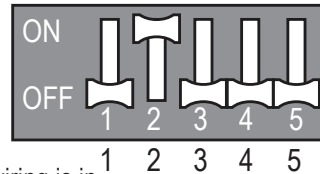


Figure 117: LMU481-541-601HV Wiring Error Check DIP Switch Setting.



Figure 118: Wiring Error Check Example.

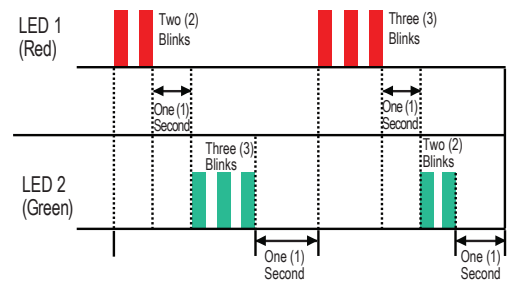
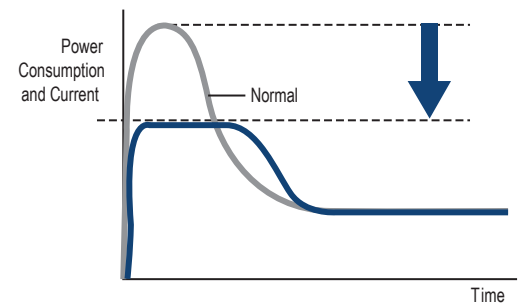


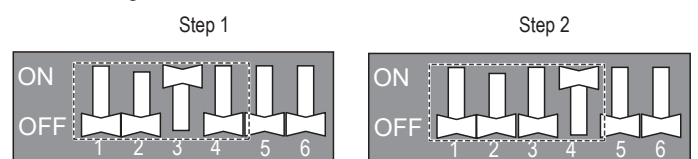
Figure 119: Reducing Power Consumption Chart.



Note:

- Reduced Power Consumption reduces outdoor unit capacity.
- Only the first four DIP switches are used to set settings and functions.

Figure 121: LMU481-541-601HV Reducing Power Consumption DIP Switch Settings.



FINAL INSTALLATION PROCEDURES

MULTI F
MULTI F MAX

DIP Switch Settings for Optional Modes

Reducing Power Consumption with Mode Lock

Enables more efficient system operation by lowering the maximum power consumption value, as well as locks the mode of operation (Example: In a cooling-only server room application where permission to adjust the system mode is highly limited). Changing modes can cause a change in compressor frequency, which would cause problems with the setting. As such, if this mode is used, it is locked in either cooling or heating. The function is rarely, if ever, used.

1. Shut power down to the system.
2. Set DIP Switches as indicated below, following the steps and chosen mode.
3. Turn power on to the system.

Note:

Only the first four DIP switches are used to set settings and functions.

Figure 122: LMU183-243-303-363HV Saving Power Consumption with Mode Lock DIP Switch Settings.

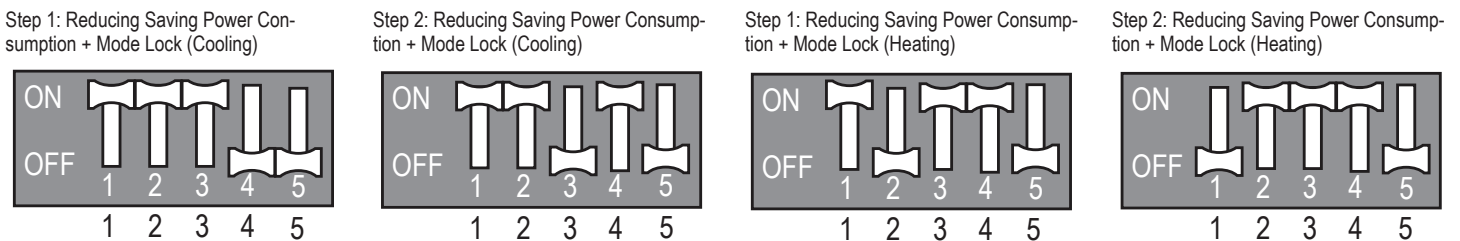
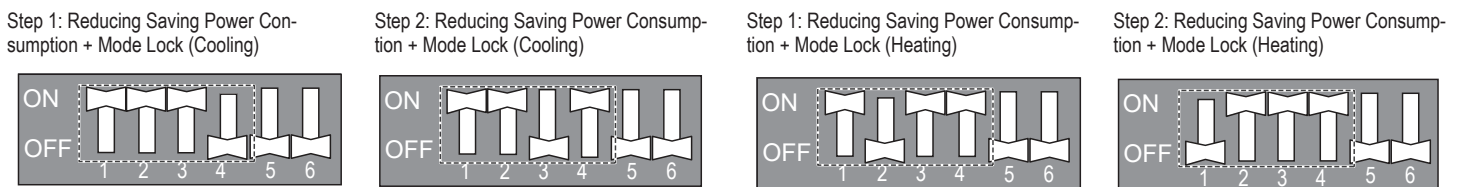


Figure 123: LMU481-541-601HV Saving Power Consumption with Mode Lock DIP Switch Settings.



Night Quiet Mode

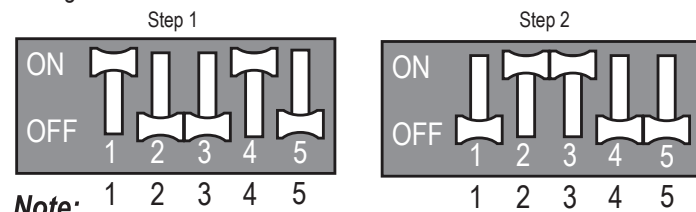
Lowers the operation sound of the outdoor unit by changing the compressor frequency and fan speeds. Night quiet mode initiates eight (8) hours after the highest outdoor air temperature is measured, then is active for nine (9) hours.

1. Shut power down to the system.
2. For Step 1, set only DIP Switches 2 and 3 to ON.
3. For Step 2, set only DIP Switches 1 and 4 to ON.
4. Turn power on to the system.

Note:

Operation sound: Step 1 > Step 2.

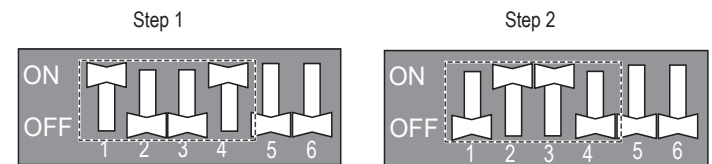
Figure 124: LMU183-243-303-363HV Night Quiet Mode DIP Switch Settings.



Note:

- If compressor frequency and fan speed are decreased, cooling capacity may also decrease.
- Night Quiet Mode can only be used when system is in cooling operation.
- Change the DIP switches if Night Quiet Mode is no longer desired.
- If indoor unit operation is set by the fan speed "Power", Night Quiet Mode will not function until fan speed "Power" is changed.
- Only the first four DIP switches are used to set settings and functions.

Figure 125: LMU481-541-601HV Night Quiet Mode DIP Switch Settings.



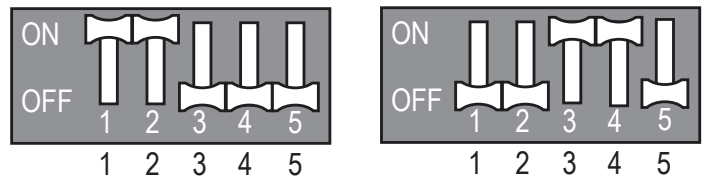
MULTI F / MULTI F MAX Outdoor Unit Installation Manual

Mode Lock

Prevents mixed mode operation (mode change) in applications where only one mode is necessary.

1. Shut power down to the system.
2. For Only Cooling Mode Lock, set only DIP Switches 1 and 2 to ON. For Only Heating Mode Lock, set only DIP Switches 3 and 4 to ON.
3. Turn power on to the system.

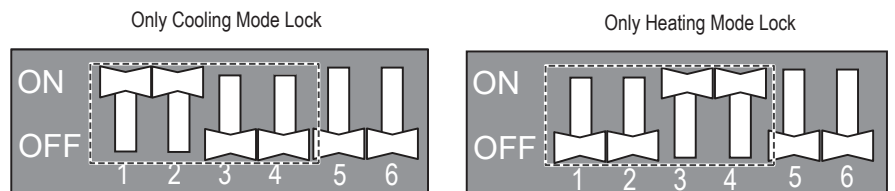
Figure 126: LMU183-243-303-363HV Mode Lock DIP Switch Settings.



Note:

Only the first four DIP switches are used to set settings and functions.

Figure 127: LMU481-541-601HV Mode Lock DIP Switch Settings.



Night Quiet Mode with Mode Lock

Lowers the operation sound of the outdoor unit by changing the compressor frequency and fan speeds, as well as locks the mode of operation. Changing modes can cause a change in compressor frequency, which would cause problems with the setting. As such, if this mode is used, it is locked in either cooling or heating. The function is rarely, if ever, used. Night quiet mode initiates eight (8) hours after the highest outdoor air temperature is measured, then is active for nine (9) hours.

1. Shut power down to the system.
2. For Step 1, set only DIP Switches 2 and 4 to ON. For Step 2, set DIP Switches 1 and 3 to ON.
3. Turn power on to the system.

Figure 128: LMU183-243-303-363HV Night Quiet Mode with Mode Lock DIP Switch Settings.

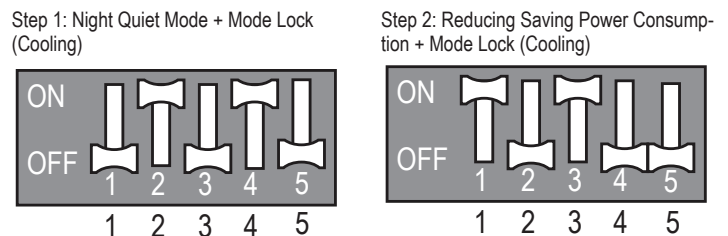
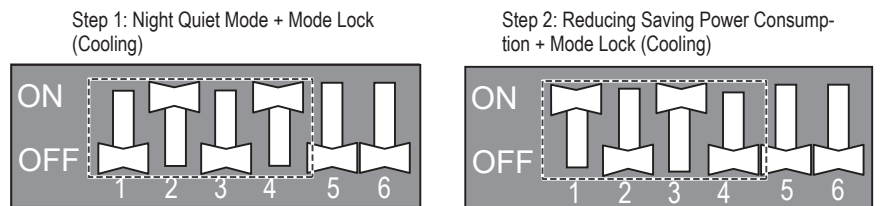


Figure 129: LMU481-541-601HV Night Quiet Mode with Mode Lock DIP Switch Settings.



Note:

- If compressor frequency and fan speed are decreased, cooling capacity also will decrease accordingly.
- Night Quiet Mode can only be used when system is in cooling operation.
- Change the DIP switches if Night Quiet Mode is no longer desired.
- If indoor unit operation is set by the fan speed "Power", Night Quiet Mode will not function until fan speed "Power" is changed.
- Only the first four DIP switches are used to set settings and functions.

Table 40: Night Quiet Mode + Mode Lock Settings.

| Type | Model Number | Night Quiet | Standard Cooling Sound Level (dBA) | Step 1 (dBA) | Step 2 (dBA) |
|-------------|--------------|----------------|------------------------------------|--------------|--------------|
| Multi F | LMU183HV | ODU DIP Switch | 48 | 46 | 44 |
| | LMU243HV | ODU DIP Switch | 49 | 46 | 44 |
| | LMU303HV | ODU DIP Switch | 51 | 49 | 46 |
| | LMU363HV | ODU DIP Switch | 51 | 49 | 46 |
| Multi F MAX | LMU481HV | ODU DIP Switch | 53 | 49 | 46 |
| | LMU541HV | ODU DIP Switch | 53 | 49 | 46 |
| | LMU601HV | ODU DIP Switch | 56 | 51 | 47 |

FINAL INSTALLATION PROCEDURES

MULTI F
MULTI F MAX

DIP Switch Settings for Optional Modes

PCB Display

The cycle data can be checked without using LG Monitoring View (LGMV) Diagnostic Software by pushing the tact switch for most models. See below for the types of cycle information that will be displayed in LGMV. After first page is displayed, the second page will be subsequently displayed.

⚠ WARNING

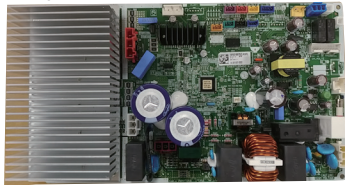
Protect fingers / hands with a non-conducting material before pushing the tact switch. There is risk of physical injury or death due to electric shock.

Table 41: PCB Display Information.

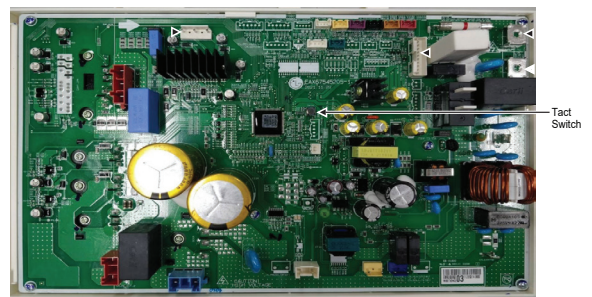
| Tact Switch No. of Pushes | Description | Display | | |
|---------------------------|------------------------------|----------|------------|-------------|
| | | Example | First Page | Second Page |
| One (1) Time | Low Pressure | 890kpa | "LP" | "89" |
| Two (2) Times | High Pressure | 2,900kpa | "HP" | "290" |
| Three (3) Times | Discharge Temperature | 85°C | "DS" | "85" |
| Four (4) Times | Condenser Outlet Temperature | -10°C | "CS" | "-10" |
| Five (5) Times | Suction Temperature | -10°C | "SS" | "-10" |
| Six (6) Times | Outdoor Unit Air Temperature | -10°C | "AS" | "-10" |
| Seven (7) Times | Current | 15A | "A" | "15" |
| Eight (8) Times | Voltage | 230V | "V" | "230" |
| Nine (9) Times | Compressor Hz | 100Hz | "F" | "100" |
| Ten (10) Times | DC Link Voltage | 230V | "dc" | "230" |

Figure 130: Location of the Tact Switches.

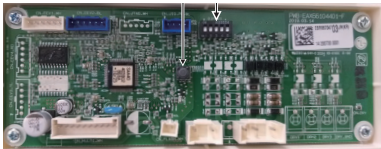
LMU183HV (18 kBtu/h) and LMU243HV (24 kBtu/h)
Main PCB



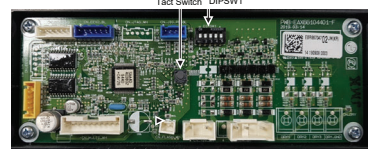
LMU303HV (30 kBtu/h) and LMU363HV (36 kBtu/h)
Inverter PCB



Sub PCB LMU183HV (18 kBtu/h)



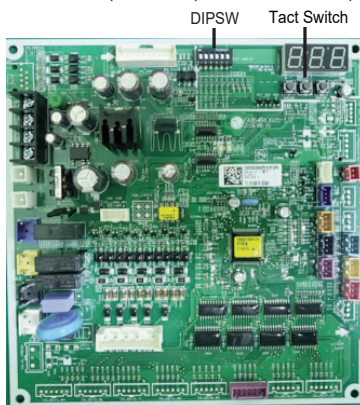
Sub PCB LMU243HV (24 kBtu/h)



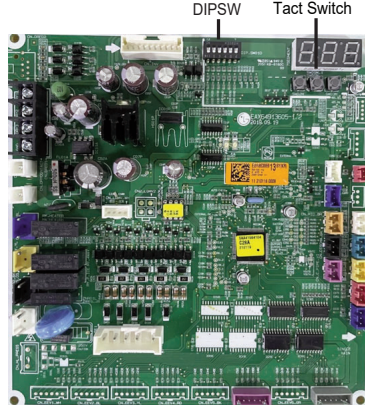
Sub PCB



LMU481HV (48 kBtu/h) and LMU541HV (54 kBtu/h)



LMU601HV (60 kBtu/h)





WARNING Please refer to the Safety Precautions on pages 4-7 for more detail to prevent injury or death regarding the operation and service troubleshooting of the Multi F / Multi F MAX product.

Troubleshooting Using Error Codes

Refer to the tables below and on the next pages for error codes that are generated from the indoor and outdoor units. These codes indicate different types of unit failures, assist in self-diagnosis, and are the most common that will manifest themselves on the LEDs. Error codes are displayed on indoor unit LEDs, wired remote controllers, the outdoor unit PCB, and through LG Monitoring View (LGMV) diagnostic software.

Systems could generate additional codes not listed here. Contact LG Support if these types of errors are seen and a simple power down and boot up has not corrected the issue. ⚠ Do not attempt to fix the system yourself.

- If two or more errors occur simultaneously, the highest error code number is displayed first.
- After the error is corrected, the error code will cease to display without user intervention.

Decoding the Error Display

See images and table below for indoor unit error codes, location of LEDs, and operation status.

The first and second number on the LED indicates error number. Example: 21 = LED1 (Red light) 2x blink, LED2 (Green light) 1x blink.

Note:

Appearances will vary depending on model.

Figure 131: Example of Standard Wall-Mounted Indoor Unit LEDs.

Standard Wall Mounted

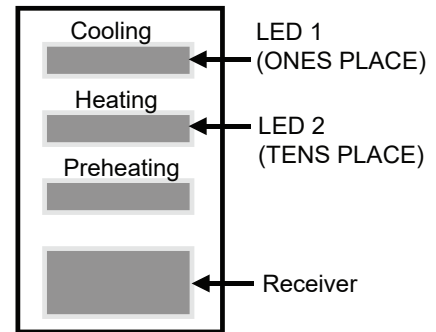


Figure 132: Example of Art Cool Mirror Wall-Mounted Indoor Unit LEDs.

Artcool Mirror

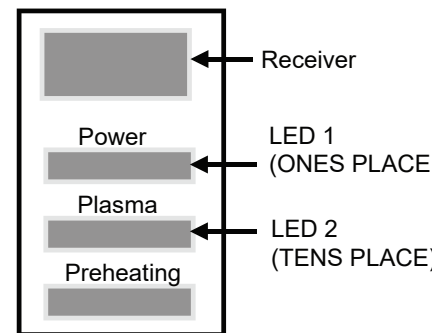


Table 42: Wall Mounted Indoor Unit Error Codes.

| Error Code | Description | Indoor Unit Operation Status |
|------------|---|------------------------------|
| 00 | No error | ON |
| 01 | Indoor unit room temperature sensor error | OFF |
| 02 | Indoor unit inlet pipe sensor error | OFF |
| 03 | Controller error | OFF |
| 04 | Drain pump error (optional) | OFF |
| 05 | Communication error between indoor unit and outdoor units | OFF |
| 06 | Indoor unit outlet pipe sensor error | OFF |
| 07 | Different mode operation error | OFF |
| 09 | Indoor unit EEPROM error | OFF |
| 10 | Indoor unit BLDC motor fan lock | OFF |

ERROR CODE TABLES

MULTI F
MULTI F MAX



WARNING Please refer to the Safety Precautions on pages 4-7 for more detail to prevent injury or death regarding the operation and service troubleshooting of the Multi F / Multi F MAX product.

Four-Way Ceiling Cassette Indoor Unit Error Indicator

Figure 133: Ceiling Cassette Display.

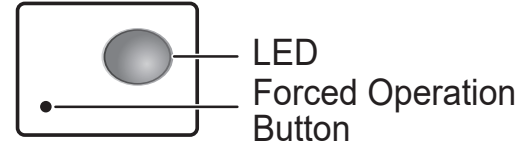


Table 43: Four-Way Ceiling Cassette Indoor Unit LED Indications.

| Description | LED Color |
|--|-----------------|
| Cooling Mode | Green |
| Heating Mode | Green |
| Time to Clean Filter (When Unit is Operating In Cooling or Heating Mode) | Yellowish Green |
| Time to Clean Filter (When Unit Is Not Operating) | Orange |
| Hot Start or Defrost Mode before Starting Heating Mode | Green |
| When Reservation Set Is On | Yellowish Green |

Decoding Four-Way Ceiling Cassette Error Codes

- Error codes on the LED flash ON / OFF as presented in the table below.
- If two or more errors occur simultaneously, the highest priority error code is displayed.
- After error is resolved, the error code is simultaneously released and does not display.
- To operate the system again after an error code occurs and has been resolved, cycle the power.
- Error code displays differ depending on model.

Table 44: Four-Way Ceiling Cassette Indoor Unit Error Codes.

| Error Code | Description | Cause |
|------------|---|--|
| 1 | Indoor unit air temperature sensor error | Indoor unit air temperature sensor is disconnected or shorted. |
| 2 | Indoor unit inlet pipe temperature sensor error | Indoor unit inlet pipe temperature sensor is disconnected or shorted. |
| 3 | Communication error between wired remote controller and indoor unit | Indoor unit PCB is not receiving communications signal from wired remote controller. |
| 4 | Drain pump error. | Drain pump is malfunctioning. |
| 5 | Communication error between indoor unit and outdoor unit | Indoor unit communications PCB is not receiving signal from outdoor unit communications PCB. |
| 6 | Indoor unit outlet pipe temperature sensor error | Indoor unit outlet pipe temperature sensor is disconnected or shorted. |
| 9 | Indoor unit EEPROM error | Serial number on EEPROM of indoor unit is 0 or FFFFFFFF. |
| 10 | Indoor unit fan motor operation error | Fan motor connector has been disconnected. Indoor fan motor lock has failed. |



WARNING Please refer to the Safety Precautions on pages 4-7 for more detail to prevent injury or death regarding the operation and service troubleshooting of the Multi F / Multi F MAX product.

Table 45: Outdoor Unit Error Codes.

| Error Code | Description | No. of Times Outdoor Unit LEDs Blink | | Outdoor Operation Status |
|------------|--|--------------------------------------|---------------|--------------------------|
| | | LED01 (Red) | LED02 (Green) | |
| 21 | DC Peak (IPM Fault); Compressor DC voltage is too high | 2X | 1X | OFF |
| 22 | Current Transformer2 (CT2) error; Alternating current (AC) input is too high | 2X | 2X | OFF |
| 23 | DC Link Low Voltage (DC Link Voltage is <140VDC) | 2X | 3X | OFF |
| | DC Link High Voltage (DC Link Voltage is >420VDC) | | | |
| 25 | AC Low / High Voltage | 2X | 5X | OFF |
| 26 | DC Compressor Position Error (Compressor failed to start properly) | 2X | 6X | OFF |
| 27 | PSC / PFC Fault; Input current to inverter compressor PCB is too high | 2X | 7X | OFF |
| 29 | Current to inverter compressor is too high | 2X | 9X | OFF |
| 32 | Inverter compressor discharge pipe (D-Pipe) temperature is too high | 3X | 2X | OFF |
| 35 | Low Pressure Error; Pressure dropped below recommended limits | 3X | 5X | OFF |
| 39 | Communication Error between PFC MICOM and Inverter MICOM | 3X | 9X | OFF |
| 40 | CT Sensor Error; Thermistor is open or has short circuited | 4X | - | OFF |
| 41 | Inverter compressor discharge pipe (D-Pipe) sensor is open or has short circuited | 4X | 1X | OFF |
| 43 | High pressure sensor is open or has short circuited | 4X | 3X | OFF |
| 44 | Outdoor air sensor is open or has short circuited | 4X | 4X | OFF |
| 45 | Mid-pipe thermistor of outdoor unit condenser is open or has short circuited | 4X | 5X | OFF |
| 46 | Outdoor unit suction piping thermistor is open or has short circuited | 4X | 6X | OFF |
| 48 | Outlet piping (liquid) of condenser is open or has short circuited | 4X | 8X | OFF |
| 51 | Combination ratio (capacity) is out of range; Total nominal indoor unit capacity is <50% or >130% of the outdoor unit capacity | 5X | 1X | OFF |
| 53 | Communication failure between outdoor unit and indoor unit(s) | 5X | 3X | OFF |
| 54 | Outdoor unit is not wired properly (ex: reversed phase) | 5X | 4X | OFF |
| 60 | Outdoor unit printed circuit board (PCB) EEPROM check sum error | 6X | - | OFF |
| 61 | Condenser coil thermistor temperature is too high | 6X | 1X | OFF |
| 62 | Outdoor unit inverter compressor PCB heat sink temperature is too high | 6X | 2X | OFF |
| 65 | Heat sink thermistor is open or has short circuited | 6X | 5X | OFF |
| 67 | Outdoor unit brushless direct current (BLDC) fan motor lock error | 6X | 7X | OFF |
| 73 | Outdoor unit PFC overcurrent (peak) error | 7X | 3X | OFF |

LG MONITORING VIEW (LGMV) DIAGNOSTIC SOFTWARE

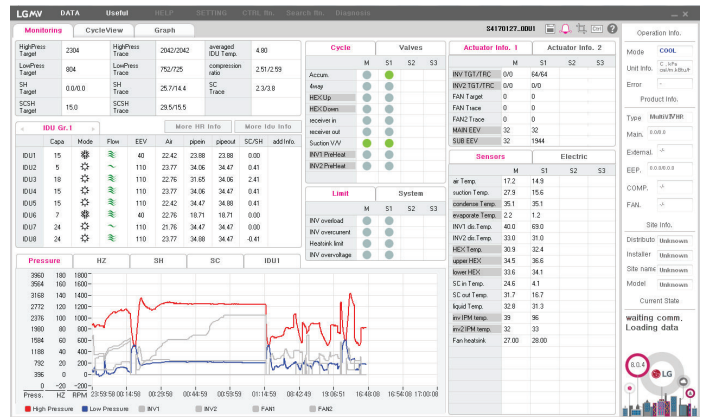
MULTI F
MULTI F MAX

LG Monitoring View (LGMV) Diagnostic Software

LG Monitoring View (LGMV) software allows the service technician or commissioning agent to connect a computer USB port to the Multi F / Multi F MAX system's main printed circuit board (PCB) using an accessory cable without the need for a separate interface device.

LGMV is available in different formats, including Mobile LGMV, which is an app for use on wireless devices. Contact your LG Sales Representative for more information, including recommended PC or mobile device configurations.

Figure 134: LGMV Monitoring Screen.



Note:

- Images on these pages are examples of LGMV screenshots. Actual images will differ depending on the version of the software and the units installed.
- Information displayed also depends on which unit is installed.

LGMV Display

LGMV displays the following real-time data:

- Actual inverter compressor speed
- Target inverter compressor speed
- Actual outdoor fan speed
- Target outdoor unit fan speed
- Actual superheat
- Target superheat
- Actual subcooler circuit superheat
- Target subcooler circuit superheat
- Main EEV position
- Subcooling EEV position
- Inverter compressor current transducer value
- Outdoor air temperature
- Actual high pressure/saturation temperature
- Actual low pressure/saturation temperature
- Suction temperature
- Inverter compressor discharge temperature
- Constant speed compressor discharge temperature
- Front outdoor coil pipe temperature
- Back outdoor coil pipe temperature
- Liquid line pipe temperature
- Subcooler inlet temperature
- Subcooler outlet temperature
- Average indoor unit (IDU) pipe temperature
- Inverter compressor operation indicator light
- Four-way reversing valve operation indicator light
- Pressure graph showing actual low pressure and actual high pressure levels
- Error code display
- Operating mode indicator
- Target high pressure
- Target low pressure
- PCB (printed circuit board) version
- Software version
- Installer name
- Model no. of outdoor units
- Site name
- Total number of connected indoor units
- Communication indicator lights
- Indoor unit capacity
- Indoor unit operating mode
- Indoor unit fan speed
- Indoor unit EEV position
- Indoor unit room temperature
- Indoor unit inlet pipe temperature
- Indoor unit outlet pipe temperature
- Indoor unit error code

Additional screens can be accessed by tabs on the main screen.
Additional screens include:

1. Cycleview: Graphical display of internal components including:

- Compressors showing actual speeds
- EEVs
- Indoor units
- Liquid injection valves
- Temperature and pressure sensors
- Four-way reversing valve
- Outdoor fans showing status and speeds

2. Graph: Full screen graph of actual high and low pressures and high and low pressure limits. A sliding bar allows viewing of previously recorded data.

3. Control IDU: Enables user to turn on IDU's with default setpoints of 86°F in heating mode or 64°F in cooling mode.

4. Setting: Converts metric values to imperial values.

5. Making Data: Recording of real time data to a separate file created to be stored on the user's computer.

6. Loading Data: Recorded data from a saved ".CSV" file can be loaded to create an LGMV session.

7. Electrical Data: The Electric tab on the main screen is changed to show the following:

- Inverter compressor
 - Amps
 - Volts
 - Power Hz
 - Inverter control board fan Hz
- Constant compressor
 - Current transducer value
 - Phase

Note:

- Images on these pages are examples of LGMV screenshots. Actual images will differ depending on the version of the software and the units installed.
- Information displayed also depends on which unit is installed.

Figure 136: LGMV Cycleview Screen.

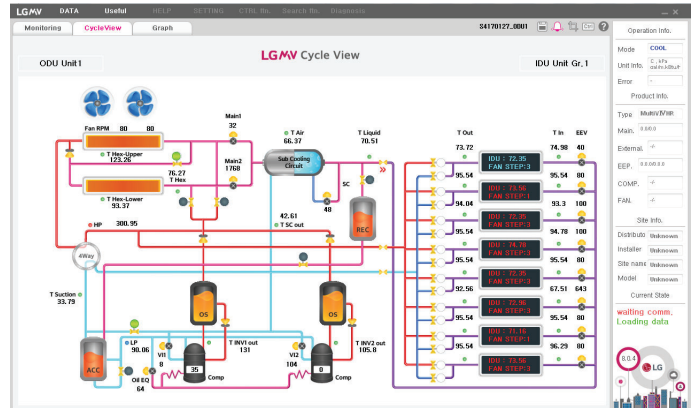


Figure 135: LGMV Graph Screen.

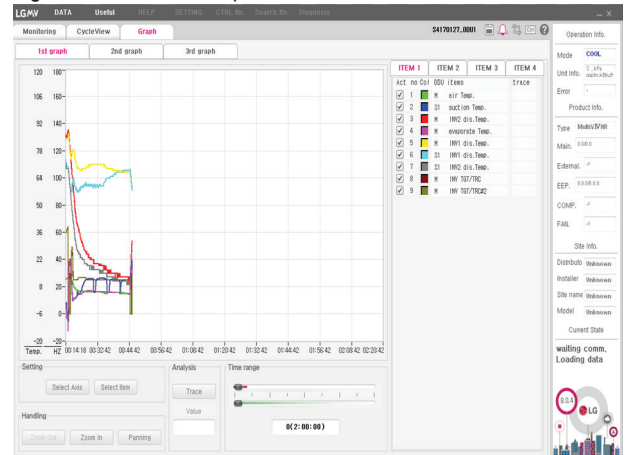


Table 46: Maintenance Recommendations.

| Component | Maintenance | Occurrence (Minimum) |
|---------------------------------------|--|--------------------------------|
| Indoor Units | Wash filters | On a regular basis / as needed |
| | Clean coils | Once a year |
| | Clean / check unit base pan | Once a year |
| Outdoor Unit(s) | Clean coils | Once or twice a year |
| Communications Cable and Power Wiring | Verify that all cables and wiring are properly connected | Once or twice a year |

Note:

It is also recommended to monitor system operation using LGMV and / or SIMS Software at least once a year.



INSTALLATION CHECKLIST

PAGE 1

Major Component Rough-In

| Description | Check |
|--|-------|
| Multi F / Multi F MAX outdoor unit was connected properly per local code and the product installation procedures. | |
| All literature and bagged accessories have been removed from the fan discharge vicinity (ducted and cassette model indoor units). | |
| All indoor units and branch distribution unit(s) (Multi F MAX only) are installed, properly supported, and located indoors in a non-corrosive environment. | |
| Duct work installation has been completed per product installation procedures (ducted indoor units only). | |

Piping Material, Components, and Insulation

| Description | Check |
|---|-------|
| Multi-zone duct-free split systems: ACR copper piping rated at the system working pressure was used. | |
| LG Y-branch fitting was used per manufacturer's recommendations (Multi F MAX only). | |
| All refrigerant pipes and valves were insulated separately. Insulation is positioned up against the walls of the indoor units and branch distribution units (Multi F MAX only). No gaps shown. Insulation was not compressed at clamps and hangers. | |

Brazing Practices

| Description | Check |
|--|-------|
| Use medical grade dry nitrogen for purging during brazing (constant 3 psig while brazing). | |
| 15% silver brazing material only. | |

Refrigerant Piping Design and System

| Description | Check |
|--|-------|
| You must have in your possession a copy of the "As-Designed" LATS Multi V piping tree diagram. BEFORE ANY FIELD PIPE SIZE OR LENGTH CHANGES ARE MADE, PROPOSED CHANGES MUST BE FORWARDED TO THE DESIGN ENGINEER SO THAT THEY CAN INPUT THE CHANGES INTO LATS and RE-ISSUE A NEW LATS MULTI V PIPING TREE DIAGRAM. Installer must receive change authorization from the design engineer, because any change made requires the review of the entire tree diagram and verification that the change did not impact the size of piping segments in other parts of the system. | |
| All pipe materials were properly stored, capped, and clean. All burrs were removed after cutting and pipe ends were reamed before brazing. | |
| During refrigerant pipe installation, for each segment of pipe, a record was made of the pipe length (including expansion loops, offsets, double-back sections), and sizes, as well as the quantity and type of elbows used. | |
| Expansion loops, coils or other acceptable measures are provided where necessary to absorb temperature-change based pipe movement. | |
| A torque wrench and backup wrench were used to tighten all flare connections. | |
| The back side of all flares were lubricated with a small drop of PVE refrigeration oil before tightening flare fittings. | |
| Ensure all field made flares are 45°. Use factory-supplied flare nuts only. | |
| Pipe segments and Y-branch fittings are secured to the structure using a combination of fixed and floating clamps, and all wall penetrations were sleeved. | |
| Pipe insulation was not compressed at any point. | |
| Y-branch fittings were properly INSTALLED per details provided in the Multi F / Multi F MAX Outdoor Unit Installation Manual. | |
| Y-branch fittings were properly SUPPORTED per details provided in the Multi F / Multi F MAX Outdoor Unit Installation Manual. | |
| No oil traps, solenoid valves, sight glasses, filter driers, or any other unauthorized refrigerant specialties were present. | |
| (Optional) High quality R-410A rated full port ball valves (Schrader between the valve body and the indoor units) used at all indoor units and at will in the refrigerant piping network. | |



INSTALLATION CHECKLIST

PAGE 2

Condensate Pump / Drain Installation

| Description | Check |
|---|-------|
| Condensate piping is installed correctly on indoor units. Material used is acceptable under local code. Insulated as necessary to prevent condensation. | |
| All condensate vertical risers are equal to or less than 27-1/2 inches from the bottom of the indoor unit. | |
| Indoor units with condensate pumps are level. Units with gravity drains are level or slightly canted toward the drain connection and are supported properly. | |
| Pumped condensate drain lines are properly connected (⊘ do not have traps, and connect to the top surface of the main drain line). | |
| Multi F / Multi F MAX gravity condensate drain line is connected and routed where it properly drains away or, if installed in a mechanical room, was connected and properly routed to a drain connection. | |
| All condensate lines are properly insulated to prevent condensation. | |

Power Wire and Communications Cables

| Description | Check |
|--|-------|
| Ground wire is installed and properly terminated at the unit. | |
| Power wiring is connected to a single phase 208-230V source. | |
| The power supplied is clean with voltage fluctuations within specifications ($\pm 10\%$ of nameplate). | |
| Power wiring to the Multi F / Multi F MAX outdoor unit is field supplied, solid or stranded, and installed per all local, state, and NEC requirements. | |
| For Multi F Systems <ul style="list-style-type: none"> • Communication / connection (power) wiring from the outdoor unit to the indoor unit is minimum 14 gauge, four-conductor, stranded, shielded or unshielded. If shielded, must be grounded to chassis at the outdoor unit only. • Use of 14 AWG, four (4) conductor, stranded, shielded or unshielded wire is allowed for lengths up to the published maximum pipe length, plus recommended slack at both ends. | |
| For Multi F MAX Systems <ul style="list-style-type: none"> • All power wiring / communication cable to be minimum 14 AWG from the Multi F MAX outdoor unit to the BD unit stranded, shielded or unshielded (if shielded, it must be grounded to the chassis of the outdoor unit only), and must comply with applicable local and national codes. • Communication / connection (power) wiring from the BD unit to the indoor unit is minimum 14 gauge, four-conductor, stranded, shielded or unshielded. If shielded, must be grounded to chassis at the BD unit only. • Use of 14 AWG, four (4) conductor, stranded, shielded or unshielded wire is allowed for lengths up to the published maximum pipe length, plus recommended slack at both ends. | |
| Power wiring to the outdoor unit and communication / connection (power) cable from the outdoor unit to the indoor units or branch distribution units (Multi F MAX only) are separated per manufacturer's guidelines. These cannot be run in the same conduit. | |
| Communications / connection (power) cable were not ran in the same conduit (outdoor unit to indoor unit or branch distribution unit (Multi F MAX only) as provided in the product installation manual. | |
| Proper communications cable was used between each indoor unit and its zone controller where applicable. Cables are continuous with no splices between terminals. | |
| Communication type RS-485-BUS type. | |
| Used appropriate crimping tool to attach ring or fork terminals at all power wiring and control cable terminations. | |
| Only LG-supplied Y-cables are used between grouped indoor units, if applicable. | |



INSTALLATION CHECKLIST

PAGE 3

Major Component Rough-In

Piping and Insulation

Brazing Practices



MULTI F
MULTI F MAX

INSTALLATION CHECKLIST

PAGE 4

Installation—Refrigerant Piping

Installation—Branch Distribution Unit (Multi F MAX Systems Only)

Installation—Condensate Pump / Drain Installation

Installation—Power Wire and Communications Cables



MULTI F REFRIGERANT CHARGE WORKSHEET

LG Multi F outdoor units ship from the factory with a charge of R410A refrigerant. A trim charge will need to be added to take into account additional piping length.

To determine the additional refrigerant that is needed, apply the formula below, and record the results. If the total additional refrigerant charge value is a negative number, then an additional trim charge does not need to be added to the system.

Multi F Outdoor Unit Factory Charge

| Outdoor Unit | Factory Charge lbs. of R410A |
|--------------|------------------------------|
| LMU183HV | 3.97 |
| LMU243HV | 3.97 |
| LMU303HV | 6.17 |
| LMU363HV | 6.17 |

Multi F Outdoor Unit Additional Refrigerant Charge Formula

$$\begin{aligned} \text{Additional charge (lbs.)} = & (\text{Installed Length of Branch [A]} - \text{Chargeless Pipe Length [L]}) \times a \\ & + (\text{Installed Length of Branch [B]} - \text{Chargeless Pipe Length [L]}) \times a \\ & + (\text{Installed Length of Branch [C]} - \text{Chargeless Pipe Length [L]}) \times a \\ & + (\text{Installed Length of Branch [D]} - \text{Chargeless Pipe Length [L]}) \times a \\ & - \text{CF (Correction Factor)} \times 5.29 \end{aligned}$$

Note:

- Number of installed length of branches depends on the specifications of the outdoor unit model.
- CF = Maximum number of connectible indoor units – Total number of connected indoor units.

Multi F Outdoor Unit Piping Specifications

| Outdoor Unit Model | Min. to Max. Piping Length for One Branch (ft.) | Max. Total System Piping Length (ft.) | Chargeless Pipe Length per Branch (L) (ft.) | Piping Length (No Additional Refrigerant [ft]) | Additional Charge Needed (a) (oz./ft.) |
|--------------------|---|---------------------------------------|---|--|--|
| LMU183HV | 9.8 to 82 | 164 | 24.6 | 98.4 | 0.22 |
| LMU243HV | 9.8 to 82 | 230.0 | 24.6 | 98.4 | 0.22 |
| LMU303HV | 9.8 to 82 | 246.1 | 24.6 | 98.4 | 0.22 |
| LMU363HV | 9.8 to 82 | 246.1 | 24.6 | 98.4 | 0.22 |

Multi F Refrigerant Charge Calculations

$$\begin{aligned} & (\text{_____ [A]} - 24.6) \times 0.22 && (\text{_____}) \\ + & (\text{_____ [B]} - 24.6) \times 0.22 && + (\text{_____}) \\ + & (\text{_____ [C]} - 24.6) \times 0.22 && + (\text{_____}) \\ + & (\text{_____ [D]} - 24.6) \times 0.22 && + (\text{_____}) \\ - & \text{_____ CF} \times 5.29 && - (\text{_____}) \\ = & \text{_____ Additional Charge (oz.)} \end{aligned}$$



MULTI F MAX REFRIGERANT CHARGE WORKSHEET

LG Multi F MAX outdoor units ship from the factory with a charge of R410A refrigerant. A trim charge will need to be added to take into account additional piping length.

To determine the additional refrigerant that is needed, apply the formula below, and record the results. If the total additional refrigerant charge value is a negative number, then an additional trim charge does not need to be added to the system.

Multi F MAX Outdoor Unit Factory Charge

| Outdoor Unit | Factory Charge lbs. of R410A |
|--------------|------------------------------|
| LMU481HV | 9.26 |
| LMU541HV | 9.26 |
| LMU601HV | 11.46 |

$$\begin{aligned} \text{Additional charge (lbs.)} &= (\text{Total Main Piping Length [A]} - \text{Chargeless Pipe Length of Main Pipe [L]}) \times a \\ &+ \text{Total Installed Length of Branch [B1+B2+B3...]} - \text{Chargeless Branch Length [B]} \times b. \\ &- \text{CF (Correction Factor)} \times 3.53 \end{aligned}$$

Note:

- Number of installed length of branches depends on system specifications.
- CF = Maximum number of connectible indoor units – Total number of connected indoor units

Multi F MAX Outdoor Unit Piping Specifications

| Outdoor Unit Model | Main Piping Length | | Branch Piping Length | |
|--------------------|---|--|--|--|
| | Chargeless Pipe Length of Main Pipe (L) (ft.) | Additional Charge Needed (a) (oz./ft.) | Chargeless Pipe Length of Branch Pipe (ΣB) (ft.) | Additional Charge Needed (b) (oz./ft.) |
| LMU481HV | 16.4 | 0.54 | 131.2 | 0.22 |
| LMU541HV | 16.4 | 0.54 | 131.2 | 0.22 |
| LMU601HV | 49.2 | 0.54 | 131.2 | 0.22 |

Multi F MAX Refrigerant Charge Calculations

$$\begin{aligned} &(\text{_____} [A] - 16.4) \times 0.54 && (\text{_____}) \\ + &(\text{_____} [B1+B2+B3...]) - 131.2 \times 0.22 && + (\text{_____}) \\ - &\text{_____} \text{CF} \times 3.53 && - (\text{_____}) \\ &&& = \text{_____} \text{ Additional Charge (oz.)} \end{aligned}$$

Inverter

162279



LG Electronics, U.S.A., Inc.
Air Conditioning Technologies
4300 North Point Parkway
Alpharetta, Georgia 30022
www.lghvac.com

IM_MultiF_ODU_3HV_1HV_07_2022
Supersedes: IM_MultiF_ODU_1HV_01_22
IM_MultiF_ODU_1HV_11_21
IM_MultiF_ODU_02_21
IM_MultiF_ODU_09_20
IM_MultiF_ODU_06_20
IM_MultiF_ODU_04_20
IM_MultiF_ODU_03_17
IM_MultiF_ODU_11_16
IM_MultiF_ODU_4_16
IM_MultiF_ODU_11_15

INSTALLATION MANUAL

AIR CONDITIONER

Please read this installation manual completely before installing the product. Installation work must be performed in accordance with the national wiring standards by authorized personnel only. Please retain this installation manual for future reference after reading it thoroughly.

Ceiling Concealed Duct



MFL67206507
Rev.05_052219

www.lghvac.com
www.lg.com

Copyright © 2013 - 2019 LG Electronics Inc. All Rights Reserved.

TIPS FOR SAVING ENERGY

Here are some tips that will help you minimize the power consumption when you use the air conditioner. You can use your air conditioner more efficiently by referring to the instructions below:

- Do not cool excessively indoors. This may be harmful for your health and may consume more electricity.
- Block sunlight with blinds or curtains while you are operating the air conditioner.
- Keep doors or windows closed tightly while you are operating the air conditioner.
- Adjust the direction of the air flow vertically or horizontally to circulate indoor air.
- Speed up the fan to cool or warm indoor air quickly, in a short period of time.
- Open windows regularly for ventilation as the indoor air quality may deteriorate if the air conditioner is used for many hours.
- Clean the air filter once every 2 weeks. Dust and impurities collected in the air filter may block the air flow or weaken the cooling / dehumidifying functions.

For your records

Staple your receipt to this page in case you need it to prove the date of purchase or for warranty purposes. Write the model number and the serial number here:

Model number : _____

Serial number : _____

You can find them on a label on the side of each unit.

Dealer's name : _____

Date of purchase : _____

IMPORTANT SAFETY INSTRUCTIONS

READ ALL INSTRUCTIONS BEFORE USING THE APPLIANCE.

Always comply with the following precautions to avoid dangerous situations and ensure peak performance of your product

⚠ WARNING

It can result in serious injury or death when the directions are ignored

⚠ CAUTION

It can result in minor injury or product damage when the directions are ignored

⚠ WARNING

- Installation or repairs made by unqualified persons can result in hazards to you and others.
- Installation of all field wiring and components **MUST** conform with local building codes or, in the absence of local codes, with the National Electrical Code 70 and the National Building Construction and Safety Code or Canadian Electrical code and National Building Code of Canada.
- The information contained in the manual is intended for use by a qualified service technician familiar with safety procedures and equipped with the proper tools and test instruments.
- Failure to carefully read and follow all instructions in this manual can result in equipment malfunction, property damage, personal injury and/or death.

Installation

- Always perform grounding. - Otherwise, it may cause electrical shock.
- For installation of the product, always contact the service center or a professional installation agency. - Otherwise, it may cause a fire, electrical shock, explosion or injury.
- Securely attach the electrical part cover to the indoor unit and the service panel to the outdoor unit. - If the electrical part cover of the indoor unit and the service panel of the outdoor unit are not attached securely, it could result in a fire or electric shock due to dust, water, etc.
- Always install an air leakage breaker and a dedicated switching board. - No installation may cause a fire and electrical shock.
- Do not keep or use flammable gases or combustibles near the air conditioner. - Otherwise, it may cause a fire or the failure of product.
- Ensure that an installation frame of the outdoor unit is not damaged due to use for a long time. - It may cause injury or an accident.
- Do not disassemble or repair the product randomly. - It will cause a fire or electrical shock.
- Do not install the product at a place that there is concern of falling down. - Otherwise, it may result in personal injury.
- Use caution when unpacking and installing. - Sharp edges may cause injury.
- Use a vacuum pump or Inert (nitrogen) gas when doing leakage test or air purge. Do not compress air or Oxygen and Do not use Flammable gases. Otherwise, it may cause fire or explosion. There is the risk of death, injury, fire or explosion.
- Consult your local dealer regarding what to do in case of refrigerant leakage. When the air conditioner is to be installed in a small room, it is necessary to take proper measures so that the amount of any leaked refrigerant does not exceed the concentration limit in the event of a leakage. Otherwise, this may lead to an accident due to oxygen depletion.
- Carry out the specified installation work after taking into account earthquakes. Failure to do so during installation work may result in the unit falling and causing accidents.

4 IMPORTANT SAFETY INSTRUCTIONS

- Make sure that a separate power supply circuit is provided for this unit and that all electrical work is carried out by qualified personnel according to local laws and regulations and this installation manual. An insufficient power supply capacity or improper electrical construction may lead to electric shocks or fire.
- Be sure to switch off the unit before touching any electrical parts.
- Make sure that all wiring is secured, the specified wires are used, and that there is no strain on the terminal connections or wires.
- If refrigerant gas leaks during installation, ventilate the area immediately. Toxic gas may be produced if the refrigerant gas comes into contact with fire.
- Make sure to be materials in a compartment handling air for circulation through a duct supplying only one room.

Operation

- Unplug the unit if strange sounds, smell, or smoke comes from it. - Otherwise, it may cause electrical shock or a fire.
- Keep the flames away. - Otherwise, it may cause a fire.
- Take the power plug out if necessary, holding the head of the plug and do not touch it with wet hands. - Otherwise, it may cause a fire or electrical shock.
- Do not open the suction inlet of the indoor/outdoor unit during operation. - Otherwise, it may cause electrical shock and failure.
- Do not allow water to run into electrical parts. - Otherwise, it may cause the failure of machine or electrical shock.
- Never touch the metal parts of the unit when removing the filter. - They are sharp and may cause injury.
- Do not step on the indoor/outdoor unit and do not put anything on it. - It may cause an injury through dropping of the unit or falling down.
- When the product is submerged into water, always contact the service center. - Otherwise, it may cause a fire or electrical shock.
- Take care so that children may not step on the outdoor unit. - Otherwise, children may be seriously injured due to falling down.

CAUTION

Installation

- Install the drain hose to ensure that drain can be securely done. - Otherwise, it may cause water leakage.
- Install the product so that the noise or hot wind from the outdoor unit may not cause any damage to the neighbors. - Otherwise, it may cause dispute with the neighbors.
- Always inspect gas leakage after the installation and repair of product. - Otherwise, it may cause the failure of product.
- Keep level parallel in installing the product. - Otherwise, it may cause vibration or water leakage.

Operation

- Avoid excessive cooling and perform ventilation sometimes. - Otherwise, it may do harm to your health.
- Use a soft cloth to clean. Do not use wax, thinner, or a strong detergent. - The appearance of the air conditioner may deteriorate, change color, or develop surface flaws.
- Do not use an appliance for special purposes such as preserving animals vegetables, precision machine, or art articles. - Otherwise, it may damage your properties.
- Do not place obstacles around the flow inlet or outlet. - Otherwise, it may cause the failure of appliance or an accident.

TABLE OF CONTENTS

2 TIPS FOR SAVING ENERGY

3 IMPORTANT SAFETY INSTRUCTIONS

6 INSTALLATION PARTS

7 INSTALLATION

8 Ceiling dimension and hanging bolt location

9 Indoor Unit Installation

11 Air Filter

12 Checking the Drainage

13 Indoor Unit Drain Piping

14 Combination indoor units

15 Flaring work

16 Connection of piping - Indoor, Outdoor, BD Unit

17 Plumbing materials and storage methods

19 Indoor Unit Drain Piping

19 Drain test

20 Heat insulation

20 Wiring Connection

20 Connection method of the connecting cable(Example)

24 REMOTE CONTROLLER INSTALLATION

26 Wired remote controller installation

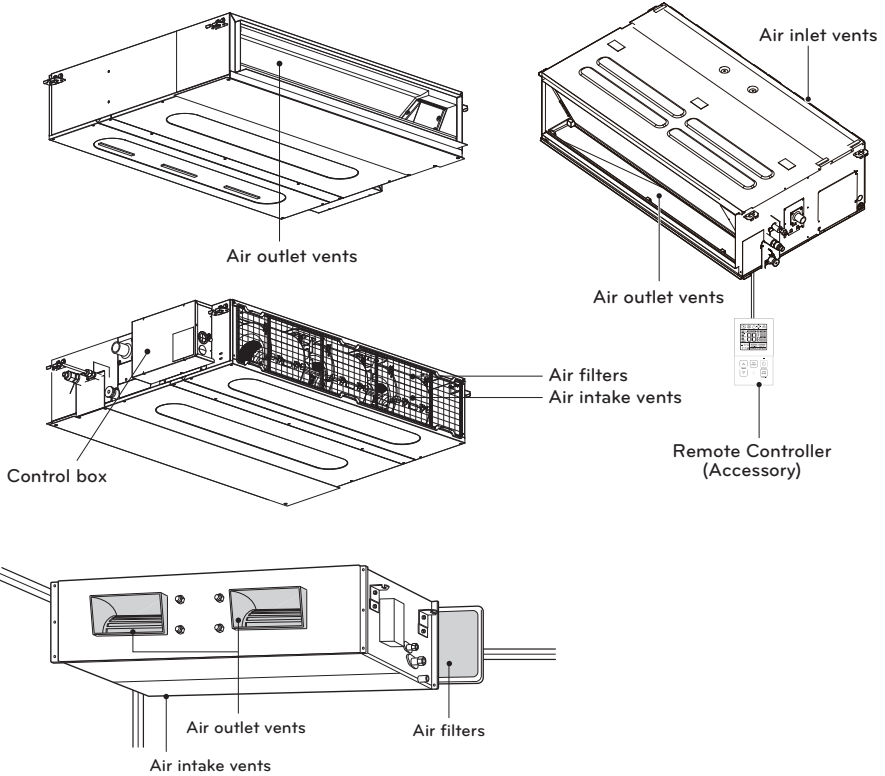
27 HOW TO SET E.S.P?





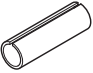

27 Installer Setting - E.S.P.

29 SELF-DIAGNOSIS FUNCTION

29 DIP SWITCH SETTING

INSTALLATION PARTS



| Name | Drain hose | Clamp metal | Washer for hanging bracket | Clamp (Tie Wrap) | Insulation for fitting |
|----------|---|---|---|---|---|
| Quantity | 1 EA | 2 EA | 8 EA | 4 EA | 1 set |
| Shape |  |  |  |  |  for gas pipe  for liquid pipe |

* Screws for fixing panels are attached to decoration panel.

INSTALLATION

Indoor unit

Install the air conditioner in the location that satisfies the following conditions.

- The place shall easily bear a load exceeding four times the indoor unit's weight.
- The place shall be able to inspect the unit as the figure.
- The place where the unit shall be leveled.
- The place shall easily connect with the outdoor unit.
- The place where the unit is not affected by an electrical noise.
- The place where air circulation in the room will be good .
- There should not be any heat source or steam near the unit

Confirm the positional relationship between the unit and suspension bolts.

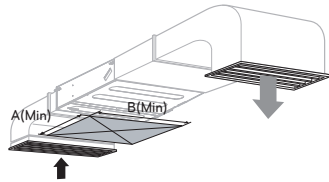
- Installation the ceiling opening to clean the filter or service under the product.

! WARNING

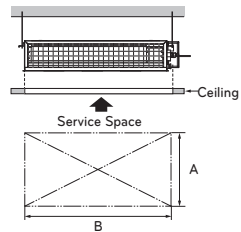
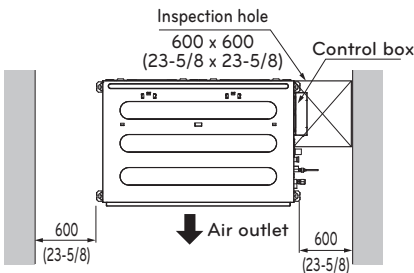
Make sure to be materials in a compartment handling air for circulation through a duct supplying only one room.

[Unit:mm(inch)]

| Capacity (kBtu/h) | A | B |
|-------------------|--------------|----------------|
| 9 | 800 (31-1/2) | 800 (31-1/2) |
| 12/18 | 800 (31-1/2) | 1 000 (39-3/8) |

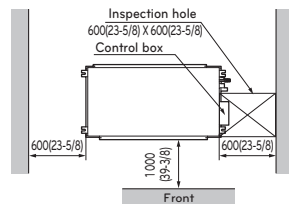


Top view [Unit: mm(inch)]

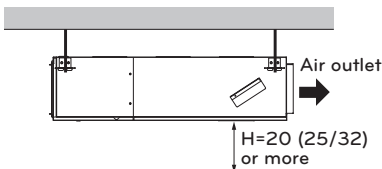


Top view

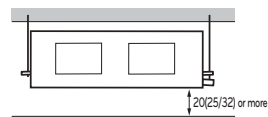
(unit: mm(inch))



Side view [Unit: mm(inch)]



Front view



- Suitable dimension "H" is necessary to get a slope to drain as shown in the figure

Ceiling dimension and hanging bolt location

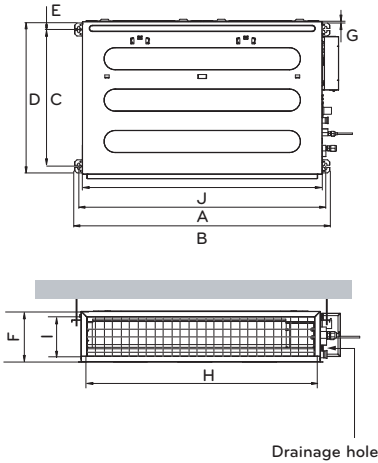
Installation of Unit

Install the unit above the ceiling correctly.

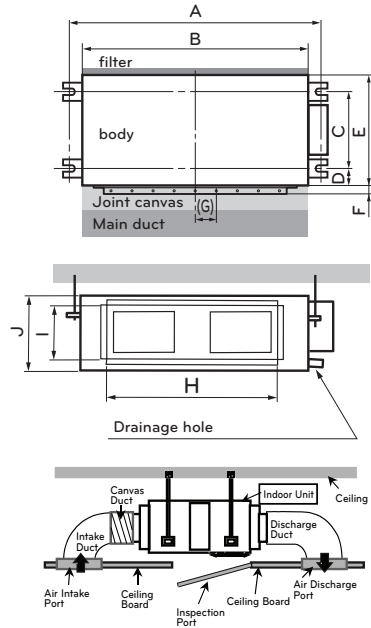
POSITION OF SUSPENSION BOLT

- Apply a joint-canvas between the unit and duct to absorb unnecessary vibration.
- Apply a filter Accessory at air return hole.

<TYPE A/D>



<TYPE B/C>



[Unit:mm(inch)]

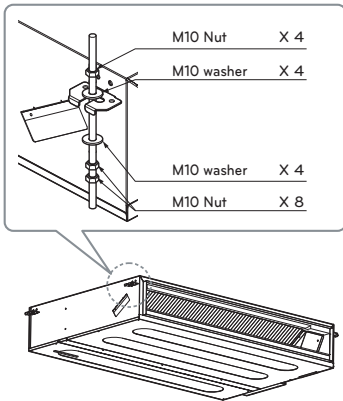
| Capacity (kBTU/h) Dimension | 9 k | 12 k / 18 k | 24 k / 36 k | 24 k | 36 k | 24 k | 36 k |
|--------------------------------|-------------------------|----------------|-------------------------|-------------------------|-------------|-------------------------|--------------------|
| Model | AMNW**GL*A* (TYPE A) | | AMNW**GBGA0 (TYPE B) | ABNH**GGLA2 (TYPE C) | | AMNW**GM*A0 (TYPE D) | |
| A | 733 (28-17/20) | 933 (36-37/50) | 1 232 (48-1/2) | 1 232 (48.5) | 1 290(50.8) | 933.4 (36-3/4) | 1 283.4 (50-17/32) |
| B | 772 (30-2/5) | 972 (38-13/50) | 1 182 (46-17/32) | 1 182 (46.5) | 1 230(48.4) | 971.6 (38-1/4) | 1 321.6 (52-1/32) |
| C | 628 (24-18/25) | 628 (24-18/25) | 355 (13-31/32) | 355 (14) | 477(18.8) | 619.2 (24-3/8) | 619.2 (24-3/8) |
| D | 700 (27-11/20) | 700 (27-11/20) | 45.5 (1-25/32) | 45.5 (1.8) | 56(2.2) | 700 (27-9/16) | 700 (27-9/16) |
| E | 36 (1-2/5) | 36 (1-2/5) | 450 (17-23/32) | 450 (17.7) | 590(23.2) | 30 (1-3/16) | 30 (1-3/16) |
| F | 190 (7-12/25) | 190 (7-12/25) | 30 (1-3/16) | 30 (1.2) | 30(1.2) | 270 (10-5/8) | 270 (10-5/8) |
| G | 20 (25/32) | 20 (25/32) | 87 (3-7/16) | 87 (3.4) | 120(4.7) | 15.2 (19/32) | 15.2 (19/32) |
| H | 660 (25-49/50) | 860 (33-17/20) | 830 (32-11/16) | 830 (32.7) | 1 006(39.6) | 858 (33-25/32) | 1 208 (47-9/16) |
| I | 155 (6-1/10) | 155 (6-1/10) | 186 (7-5/16) | 186 (7.3) | 294(11.6) | 201.4 (7-15/16) | 201.4 (7-15/16) |
| J | 700 (27-11/20) | 900 (35-11/25) | 298 (11-23/32) | 298 (11.7) | 380(15) | 900 (35-7/16) | 1 250 (49-7/32) |

* Install the unit leaning to a drainage hole side as a figure for easy water drainage.

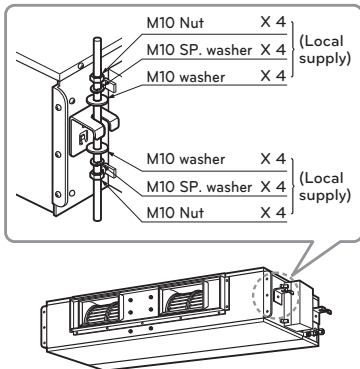
POSITION OF CONSOLE BOLT

- A place where the unit will be leveled and that can support the weight of the unit.
- A place where the unit can withstand its vibration.
- A place where service can be easily performed.

<TYPE A/D>

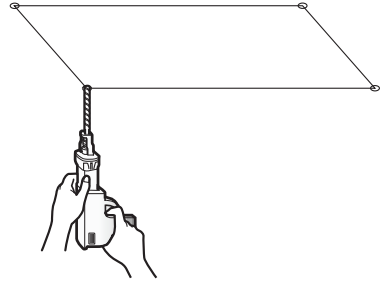


<TYPE B/C>

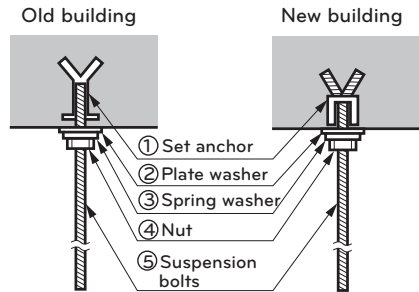


Indoor Unit Installation

- Select and mark the position for fixing bolts.
- Drill the hole for set anchor on the face of ceiling.



- Insert the set anchor and washer onto the suspension bolts for locking the suspension bolts on the ceiling.
- Mount the suspension bolts to the set anchor firmly.
- Secure the installation plates onto the suspension bolts (adjust level roughly) using nuts, washers and spring washers.



- Local supply
 - ① Set anchor
 - ② Plate washer - M10
 - ③ Spring washer - M10
 - ④ Nut - W3/8 or M10
 - ⑤ Suspension bolt - W3/8 or M10

⚠ CAUTION

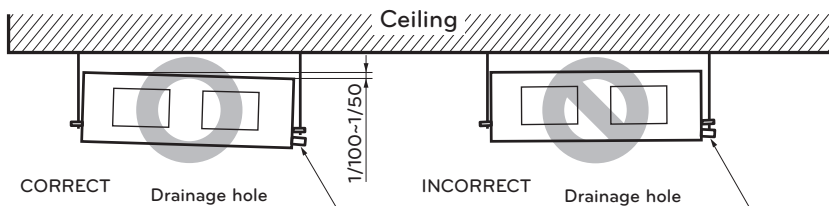
Tighten the nut and bolt to prevent unit falling.

! CAUTION

- 1 Install declination of the indoor unit is very important for the drain of the duct type air conditioner.
- 2 Minimum thickness of the insulation for the connecting pipe shall be 5 mm(3/16 inch).

Front of view

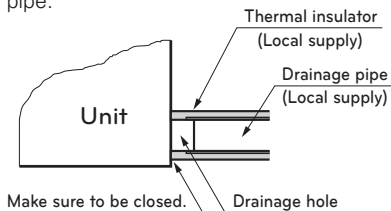
- The unit must be declined to the drain hose connected when finished installation.



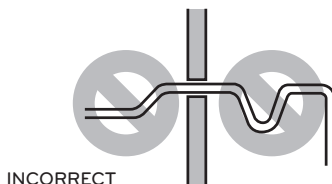
CAUTION FOR GRADIENT OF UNIT AND DRAIN PIPING

Lay the drain hose with a downward inclination so water will drain out.

- Always lay the drain with downward inclination (1/100 to 1/50). Prevent any upward flow or reverse flow in any part.
- 10 mm or thicker formed thermal insulator shall always be provided for the drain pipe.



- Upward routing not allowed

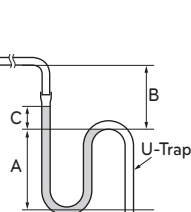
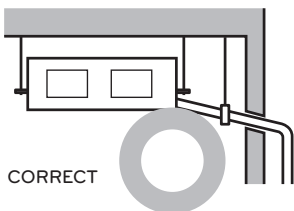


- Install the P-Trap (or U-Trap) to prevent a water leakage caused by the blocking of intake air filter.

Applied U-Trap Dimension

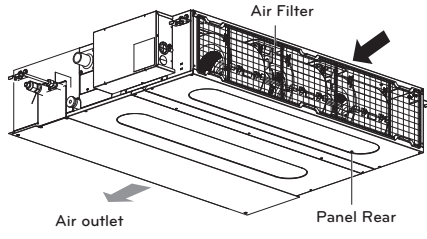
- A ≥ 70 mm(2-3/4 inch)
- B ≥ 2C
- C ≥ 2 x SP
- SP = External Pressure (mmAq(inAq))

- Ex) External Pressure = 10 mmAq (0.39 inAq)
- A ≥ 70 mm(2-3/4 inch)
- B ≥ 40 mm(1-9/16 inch)
- C ≥ 20 mm(25/32 inch)

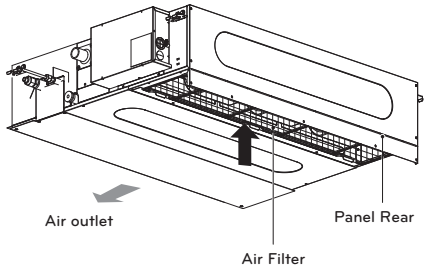


Air Filter

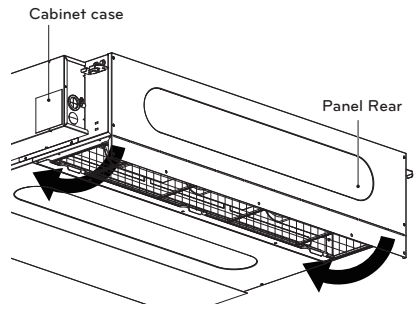
<TYPE A>



Low static duct type in case of suction from back side.



Low static duct type in case of suction from bottom side.



In case of suction from bottom size, bend the Panel rear and screw with cabinet case.

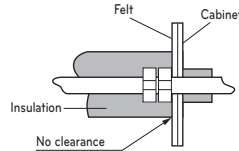
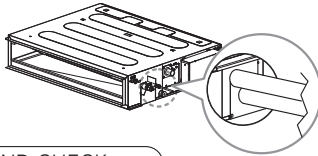
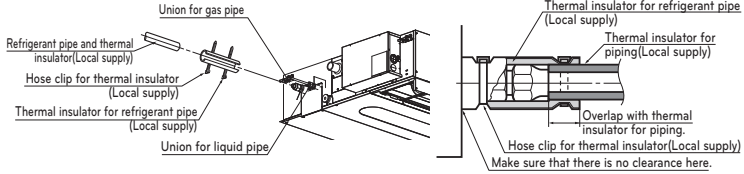
INSULATION, OTHERS

Insulate the joint and tubes completely.

THERMAL INSULATION

All thermal insulation must comply with local requirement.

INDOOR UNIT



TEST AND CHECK

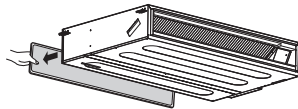
After all workings are finished, check the working and operation.

- Air distribution Is the air circulation good?
- Drain Is the drainage smoothly and no sweating?
- Gas leakage Is the piping connection correctly?
- Wiring Is the wiring connection correctly?
- Lock-bolt Is the lock-bolt of compressor loosened?
- Insulation Is the unit fully insulated?
- Ground Is the unit safely grounded?

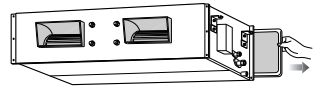
Checking the Drainage

1 Remove the Air Filter.

<TYPE A/D>



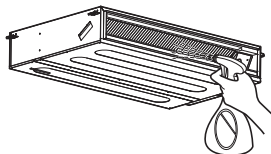
<TYPE B/C>



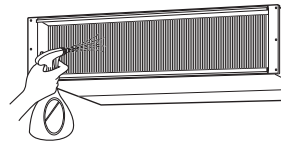
2 Check the drainage.

- Spray one or two glasses of water upon the evaporator.
- Ensure that water flows drain hose of indoor unit without any leakage.

<TYPE A/D>



<TYPE B/C>

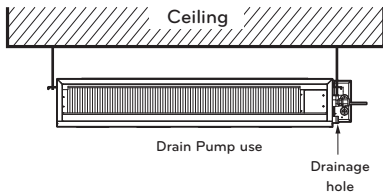


⚠ CAUTION

- Install declination of the indoor unit is very important for the drain of the duct type air conditioner.
- Minimum thickness of the insulation for the connecting pipe shall be 19 mm(3/4 inch).

Front of view

The unit must be horizontal or declined to the drain hose connected when finished installation.



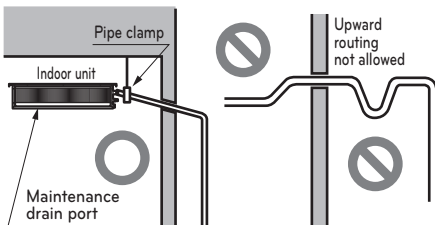
Indoor Unit Drain Piping (TYPE A/D)

- Drain piping must have down-slope (1/50 to 1/100): be sure not to provide up-and-down slope to prevent reversal flow.
- During drain piping connection, be careful not to exert extra force on the drain port on the indoor unit.
- The outside diameter of the drain connection on the indoor unit is 32 mm(1-1/4 inch).

Piping material: Polyvinyl chloride pipe VP-25 and pipe fittings

- Be sure to execute heat insulation on the drain piping.

Heat insulation material: Polyethylene foam with thickness more than 8 mm(5/16 inch).

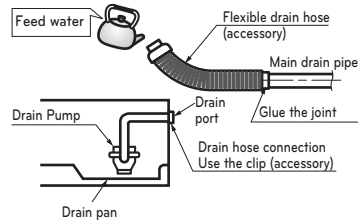


Drain test

The air conditioner uses a drain pump to drain water.

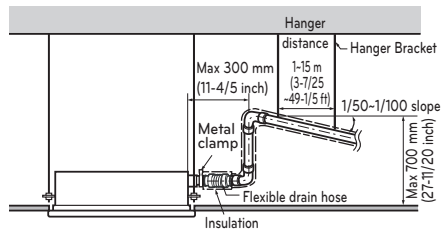
Use the following procedure to test the drain pump operation:

- Connect the main drain pipe to the exterior and leave it provisionally until the test comes to an end.
- Feed water to the flexible drain hose and check the piping for leakage.
- Be sure to check the drain pump for normal operating and noise when electrical wiring is complete.
- When the test is complete, connect the flexible drain hose to the drain port on the indoor unit.



⚠ CAUTION

The supplied flexible drain hose should not be curved, neither screwed. The curved or screwed hose may cause a leakage of water.



HAND OVER

Teach the customer the operation and maintenance procedures, using the operation manual.

(air filter cleaning, temperature control, etc.)

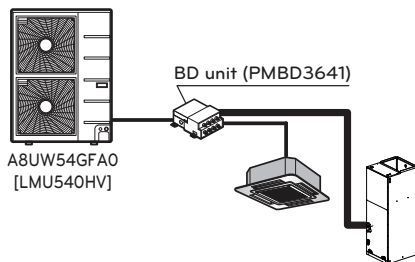
Combination indoor units (AMNW**G**AO / TYPE B / TYPE D)

The indoor units connectable to the outdoor unit are shown below

| Indoor Unit | | Outdoor Unit (Btu/h class) | |
|--------------------------------------|---------------------------|-------------------------------|------|
| Type | Capacity (Btu/h class) | 36 k | 54 k |
| Vertical AHU | 24 k | O | O |
| | 36 k | X | O |
| Ceiling Concealed Duct (High Static) | 24 k | O | O |
| | 36 k | X | O |

NOTE

- The total capacity(in Btu/h unit) of connected indoor unit models represents the total sum of the figures expressed in the indoor model name.
- Combinations in which the total capacity of the connected indoor units exceeds the capacity of the outdoor unit will reduce the capacity of each indoor unit below the rated capacity during simultaneous operation. Therefore, if circumstances allows, combine indoor units within the capacity of the outdoor unit.
- VAHU, Ceiling Concealed Duct(High Static) type indoor unit's combination calculation method as below.
Calculation method for total capacity of connectable indoor unit to an outdoor unit
= (Sum of all VAHU & Ceiling Concealed Duct(High Static) type indoor units capacity × 1.3) + Sum of all other indoor unit's capacity



| Outdoor Unit (Btu/h class) | Total capacity of connectable indoor units (Btu/h) |
|-------------------------------|--|
| 36 k | 48 k |
| 54 k | 73 k |

Example)

Total rated capacity index :

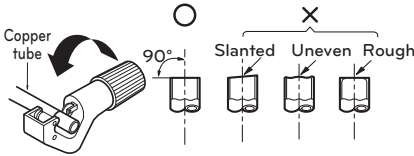
$$\begin{array}{r}
 4Way\ CST \\
 AMNW18GTQA0 \\
 [LMCN185HV] \\
 \\
 + \\
 \\
 VAHU \\
 AMNW36GNJA0 \\
 [LMVN360HV] \\
 \\
 = \\
 \\
 64.8 < 73
 \end{array}$$

Flaring work

Main cause of gas leakage is defect in flaring work. Carry out correct flaring work in the following procedure.

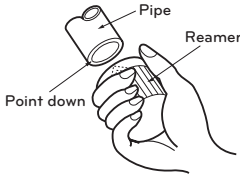
1 Cut the pipes

- Use the accessory piping kit or the pipes purchased locally.
- Measure the distance between the indoor and the outdoor unit.
- Cut the pipes a little longer than measured distance.
- Cut the cable 1.5 m(4.9 ft) longer than the pipe length.



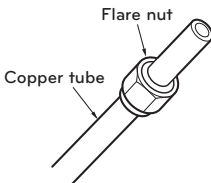
2 Burrs removal

- Completely remove all burrs from the cut cross section of pipe/tube.
- Put the end of the copper tube/pipe to downward direction as you remove burrs in order to avoid to let burrs drop in the tubing.



3 Putting nut on

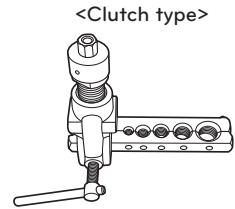
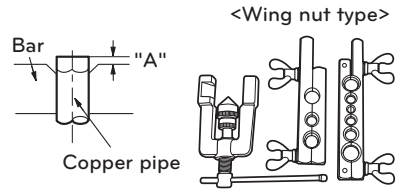
- Remove flare nuts attached to indoor and outdoor units, than put them on pipe/tube having completed burr removal. (Not possible to put them on after flaring work)



4 Flaring work

- Carry out flaring work using flaring tool as shown below.

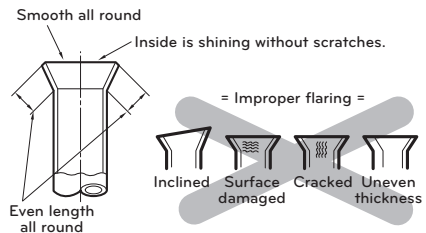
| Pipe diameter Inch (mm) | A Inch (mm) | | Thickness Inch (mm) |
|----------------------------|---------------------|-------------------|------------------------|
| | Wing nut type | Clutch type | |
| Ø 1/4 (Ø 6.35) | 0.04~0.05 (1.1~1.3) | 0~0.02 (0~0.5) | 0.03 (0.7) |
| Ø 3/8 (Ø 9.52) | 0.06~0.07 (1.5~1.7) | | 0.03 (0.8) |
| Ø 1/2 (Ø 12.7) | 0.06~0.07 (1.6~1.8) | | 0.03 (0.8) |
| Ø 5/8 (Ø 15.88) | 0.06~0.07 (1.6~1.8) | | 0.04 (1.0) |
| Ø 3/4 (Ø 19.05) | 0.07~0.08 (1.9~2.1) | | 0.04 (1.0) |



Firmly hold copper tube in a bar(or die) as indicated dimension in the table above.

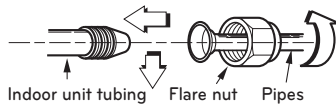
5 Check

- Compare the flared work with figure.
- If flare is noted to be defective, cut off the flared section and do flaring work again.



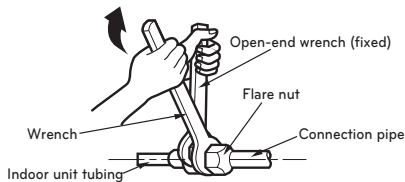
Connection of piping - Indoor, Outdoor, BD Unit (AMNW**G**AO / AMNW18GL2A1 / TYPE B / TYPE D)

Align the center of the piping and sufficiently tighten the flare nut by hand.

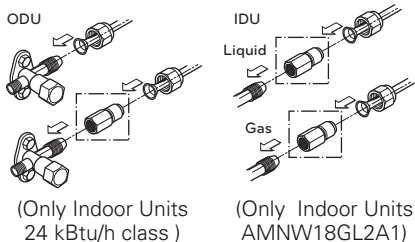


| Capacity (kBtu/h) | Refrigerant Connections Pipe size | |
|----------------------|--------------------------------------|---------------|
| | Liquid | Gas |
| 24 | 1/4 (Ø 6.35) | 1/2 (Ø 12.7) |
| 36 | 3/8 (Ø 9.52) | 5/8 (Ø 15.88) |

| ODU | Model | Refrigerant Connections Pipe size | |
|-------------|-------------|--------------------------------------|---------------|
| | | Liquid | Gas |
| Single Zone | AMNW18GL2A1 | 3/8 (Ø 9.52) | 5/8 (Ø 15.88) |



| BD Unit | Refrigerant Connections Pipe Size (inch (mm)) | | Connectable Indoor Unit Capacity (kBtu/h class) |
|----------|--|------------------------|--|
| | Liquid | Gas | |
| PMBD3620 | 1/4 (Ø 6.35) x 2 EA | 3/8 (Ø 9.52) x 2 EA | 9/12/18/24 k |
| PMBD3630 | 1/4 (Ø 6.35) x 3 EA | 3/8 (Ø 9.52) x 3 EA | 9/12/18/24 k |
| PMBD3640 | 1/4 (Ø 6.35) x 4 EA | 3/8 (Ø 9.52) x 4 EA | 9/12/18/24 k |
| PMBD3641 | 1/4 (Ø 6.35) x 4 EA | 3/8 (Ø 9.52) x 3 EA | 9/12/18/24 k (A/B/C ROOM) |
| | | 1/2 (Ø 12.7) x 1 EA | 36 k (D ROOM) |



(PMBD3620 / PMBD3630 / PMBD3640)

* BD Unit(PMBD3641) includes the sockets.

(Ø 12.7 → Ø 15.88 x 1 EA,
Ø 6.35 → Ø 9.52 x 1 EA)

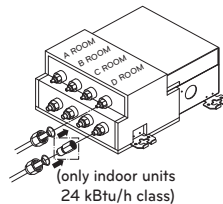
* AMNW18GL2A1 includes the sockets.

Ø 6.35 → Ø 9.52 x 1 EA, Ø 12.7 →
Ø 15.88 x 1 EA, Ø 9.52 → Ø 12.7 x 1 EA

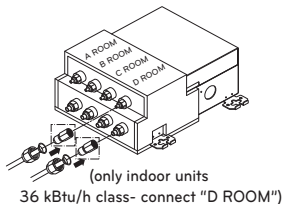
Finally, tighten the flare nut with torque wrench until the wrench clicks.

- When tightening the flare nut with torque wrench ensure the direction for tightening follows the arrow on the wrench.

| Outside diameter | | Torque | | |
|------------------|------|---------|-----------|--------|
| mm | inch | N. m | kgf.m | lbf.ft |
| Ø 6.35 | 1/4 | 14~18 | 1.4~1.8 | 10~13 |
| Ø 9.52 | 3/8 | 34~42 | 3.5~4.3 | 25~31 |
| Ø 12.7 | 1/2 | 49~61 | 5.0~6.2 | 36~45 |
| Ø 15.88 | 5/8 | 69~82 | 7.0~8.4 | 51~60 |
| Ø 19.05 | 3/4 | 100~120 | 10.0~12.2 | 73~88 |

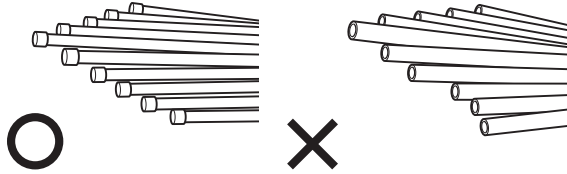


(PMBD3641)

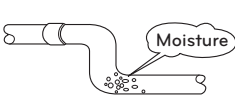
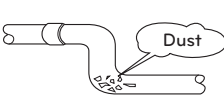
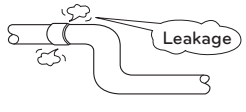


Plumbing materials and storage methods

Pipe must be able to obtain the specified thickness and should be used with low impurities. Also when handling storage, pipe must be careful to prevent a fracture, deformity and wound. Should not be mixed with contaminations such as dust, moisture.



Refrigerant piping on three principles

| | Drying | Cleanliness | Airtight |
|----------------|---|---|---|
| | Should be no moisture inside | No dust inside. | There is no refrigerant leakage |
| Items |  |  |  |
| Cause failure | <ul style="list-style-type: none"> - Significant hydrolysis of refrigerant oil - Degradation of refrigerant oil - Poor insulation of the compressor - Do not cold and warm - Clogging of EEV, Capillary | <ul style="list-style-type: none"> - Degradation of refrigerant oil - Poor insulation of the compressor - Do not cold and warm - Clogging of EEV, Capillary | <ul style="list-style-type: none"> - Gas shortages - Degradation of refrigerant oil - Poor insulation of the compressor - Do not cold and warm |
| Countermeasure | <ul style="list-style-type: none"> - No moisture in the pipe - Until the connection is completed, the plumbing pipe entrance should be strictly controlled. - Stop plumbing at rainy day. - Pipe entrance should be taken side or bottom. - When removal burr after cutting pipe, pipe entrance should be taken down. - Pipe entrance should be fitted cap when pass through the walls. | <ul style="list-style-type: none"> - No dust in the pipe. - Until the connection is completed, the plumbing pipe entrance should be strictly controlled. - Pipe entrance should be taken side or bottom. - When removal burr after cutting pipe, pipe entrance should be taken down. - Pipe entrance should be fitted cap when pass through the walls. | <ul style="list-style-type: none"> - Airtightness test should be. - Brazing operations to comply with standards. - Flare to comply with standards. - Flange connections to comply with standards. |

Nitrogen substitution method

Welding, as when heating without nitrogen substitution a large amount of the oxide film is formed on the internal piping.

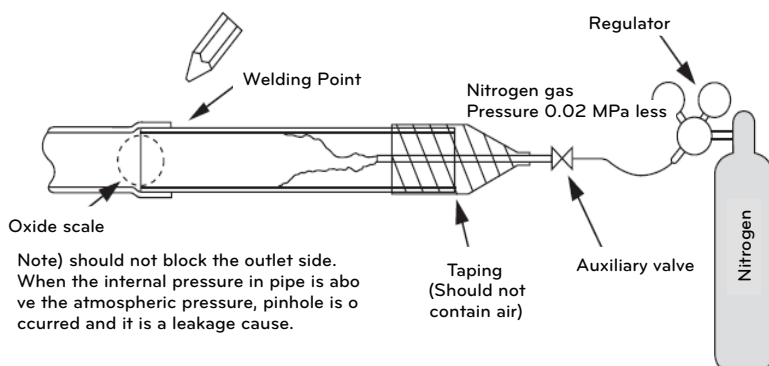
The oxide film is caused by clogging EEV, Capillary, oil hole of accumulator and suction hole of oil pump in compressor.

It prevents normal operation of the compressor.

In order to avoid this problem, Welding should be done after replacing air by nitrogen gas.

When welding plumbing pipe, the work is required.

◆How to work

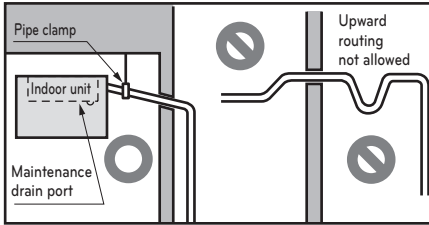


Note) should not block the outlet side.
When the internal pressure in pipe is above the atmospheric pressure, pinhole is occurred and it is a leakage cause.

⚠ CAUTION

1. Always use the nitrogen.(not use oxygen, carbon dioxide, and a Chevron gas):
Please use the following nitrogen pressure 0.02MPa
Oxygen —— Promotes oxidative degradation of refrigerant oil.
Because it is flammable, it is strictly prohibited to use
Carbon dioxide — Degrade the drying characteristics of gas
Chevron Gas — Toxic gas occurs when exposed to direct flame.
2. Always use a pressure reducing valve.
3. Please do not use commercially available antioxidant.
The residual material seems to be the oxide scale is observed.
In fact, due to the organic acids generated by oxidation of the alcohol contained in the anti-oxidants, ants nest corrosion occurs. (causes of organic acid → alcohol + copper + water + temperature)

Indoor Unit Drain Piping (TYPE B / C)



- Drain piping must have down-slope (1/50 to 1/100): be sure not to provide up-and-down slope to prevent reversal flow.
- During drain piping connection, be careful not to exert extra force on the drain port on the indoor unit.
- The outside diameter of the drain connection on the indoor unit is 32 mm(1-1/4 inch).

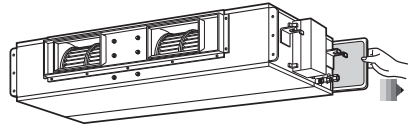
Piping material: Polyvinyl chloride pipe VP-25 and pipe fittings

- Be sure to execute heat insulation on the drain piping.
- Install the drain raising pipes at a right angle to the indoor unit and no more than 300 mm(11-13/16 inch) from the unit.

Heat insulation material: Polyethylene foam with thickness more than 8 mm(5/16 inch).

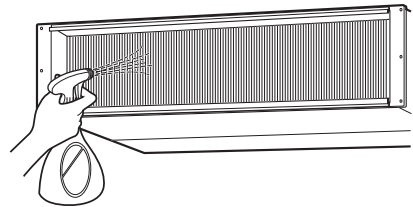
- Connect the main drain pipe to the exterior and leave it provisionally until the test comes to an end.
- Feed water to the flexible drain hose and check the piping for leakage.
- When the test is complete, connect the flexible drain hose to the drain port on the indoor unit.

- 1 Remove the Air Filter.

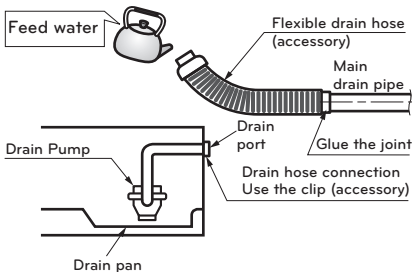


- 2 Check the drainage.

- Spray one or two glasses of water upon the evaporator.
- Ensure that water flows drain hose of indoor unit without any leakage.

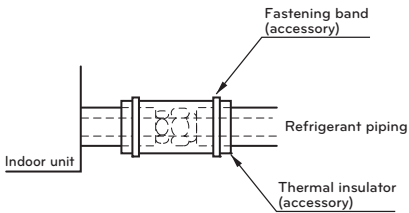


Drain test (TYPE B / C)



Heat insulation (TYPE B / C / D)

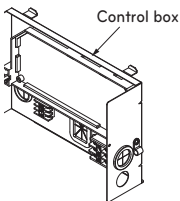
- 1 Use the heat insulation material for the refrigerant piping which has an excellent heat-resistance (over 120 °C).
- 2 Precautions in high humidity circumstance: This air conditioner has been tested according to the "KS Standard Conditions with Mist" and confirmed that there is not any default. However, if it is operated for a long time in high humid atmosphere (dew point temperature: more than 23 °C), water drops are liable to fall. In this case, add heat insulation material according to the following procedure:
 - Heat insulation material to be prepared...
Adiabatic glass wool with thickness 10 to 20 mm.
 - Stick glass wool on all air conditioners that are located in ceiling atmosphere.



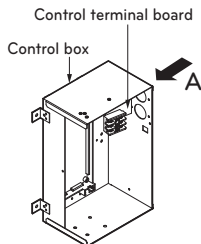
Wiring Connection

- Remove the control box cover for electrical connection between the indoor and outdoor unit. (Remove screws ①.)
- Open the control box cover and connect the Remote controller cord and Indoor power wires.
- Use the cord clamper to fix the cord.

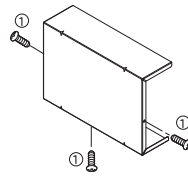
<TYPE A>



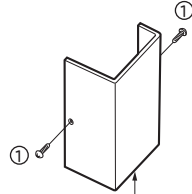
<TYPE B/C>



<TYPE A>



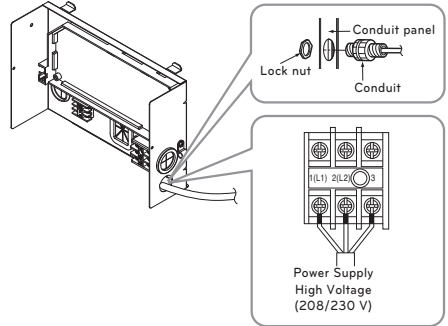
<TYPE B/C>



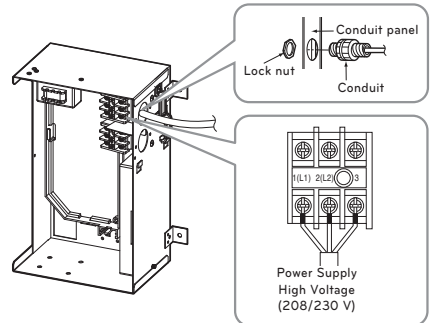
Control box cover
(On which the Electric
Wiring Connection is put)

Connection method of the connecting cable(Example)

<TYPE A>



<TYPE B/C>

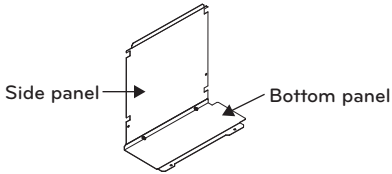


⚠ WARNING

Loose wiring may cause the terminal to overheat or result in unit malfunction. A fire hazard may also exist. Therefore, be sure all wiring is tightly connected.

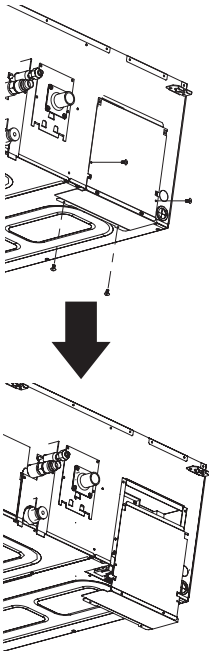
<TYPE D>

- Open the control box cover and connect the remote controller cables, transmission cables and indoor power cables.
- Control box cover is consist of two panel which are side and bottom panel.

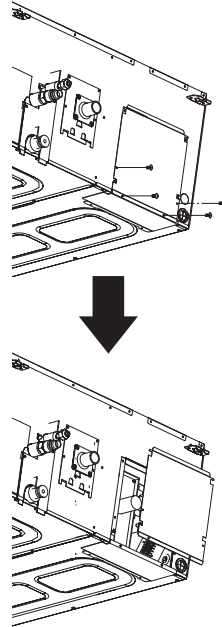


Control box cover can be separated from main body by 2 method.

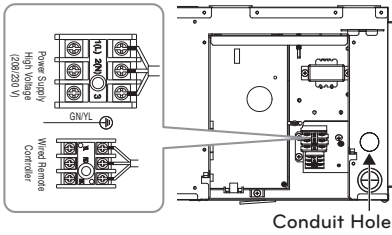
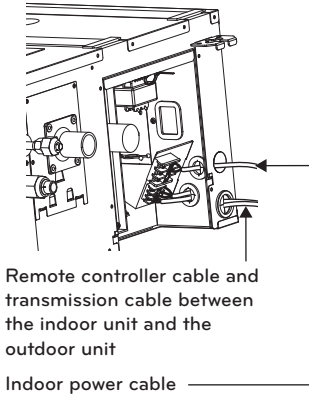
- Case 1. Separate whole cover (when access from bottom of the product).
Remove screws on the bottom panel and grab the both panel with two hands and pull down the whole cover.



- Case 2. Separate only side panel (when access from side of the product).
Remove screws which are connecting two panel and pull down the side panel.



After remove the control box cover, insert cables onto the bush and conduit and then connect at terminal block.



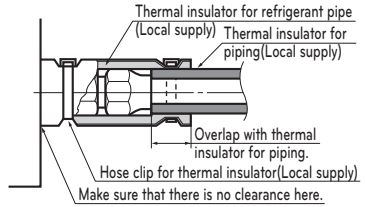
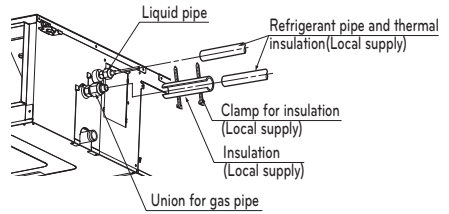
Insulation, others

Insulate the joint and tubes completely.

THERMAL INSULATION

All thermal insulation must comply with local requirement.

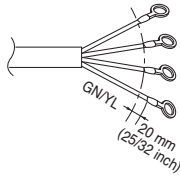
INDOOR UNIT



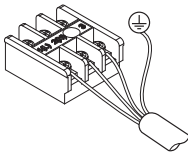
! CAUTION

The power connecting cable between the outdoor and indoor units must comply with the following specifications: NRTL Recognized (for example, UL or ETL recognized and CSA certified).

AWG 18-4 is the minimum recommended wire size, however, the selected conductors must comply with local codes and be suitable for installation in wet locations.

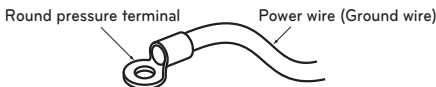


If the supply cord is damaged, it must be replaced by a special cord or assembly available from the manufacturer of its service agent. When the connection line between the indoor unit and outdoor unit and outdoor unit is over 40 m, connect the telecommunication line and power line separately.



Precautions when laying power and ground wiring

Use round pressure terminals for connections to the power terminal block. When laying ground wiring, you must use round pressure terminals.



When none are available, follow the instructions below.

- Do not connect wiring of different thicknesses to the power terminal block. (Slack in the power wiring may cause abnormal heat.)
- When connecting wiring which is the same thickness, do as shown in the figure below.



- For wiring, use the designated power wire and connect firmly, then secure to prevent outside pressure being exerted on the terminal block.
- Use an appropriate screwdriver for tightening the terminal screws. A screwdriver with a small head will strip the head and make proper tightening impossible.
- Over-tightening the terminal screws may break them.

! NOTE

Use connection cable NRTL(UL, ETL, CAS...) listed and stranded copper(4) THHN conductors, sunlight (UV) resistant ROHS compliant PVC jacket 600 V direct burial listed, approved for wet conditions. Temperature rated for -20 °C(-4 °F) to 90 °C(194 °F). And this cable should be enclosed in conduit.

! WARNING

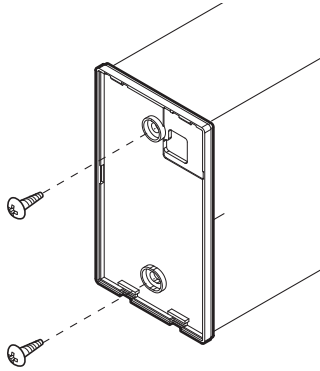
- Be sure to comply with local and national codes while running the wire from the indoor unit to the outdoor unit(size of wire and wiring method, etc).
- Every wire must be connected firmly.
- No wire should be allowed to touch refrigerant tubing, the compressor or any moving parts.
- The communication wirings of air conditioner should be separate and isolated from external device's electric wiring such as computers, elevator, radio & Television broadcasting facilities, as well as medical imaging offices.

REMOTE CONTROLLER INSTALLATION

※ Remote controller is provided as an accessory.

Please fix tightly using provided screw after placing remote controller setup board on the place where you like to setup.

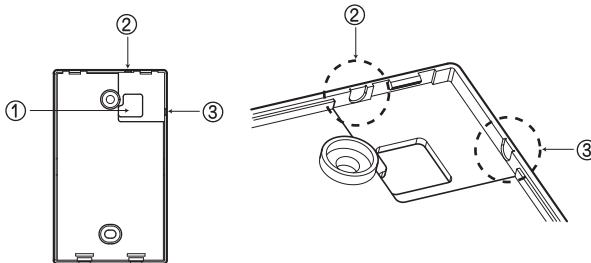
- Please set it up not to bend because poor setup could take place if setup board bends.
- Please set up remote controller board fit to the reclamation box if there is a reclamation box.



Can set up Wired remote controller cable into three directions.

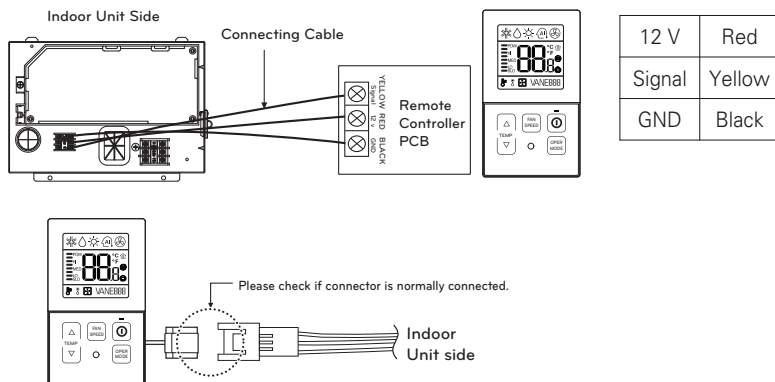
- Setup direction: the surface of wall reclamation, upper, right
- If setting up remote controller cable into upper and right side, please set up after removing remote controller cable guide groove.
- * Remove guide groove with long nose.

- ① Reclamation to the surface of the wall
- ② Upper part guide groove
- ③ Right part guide groove



<Wire guide grooves>

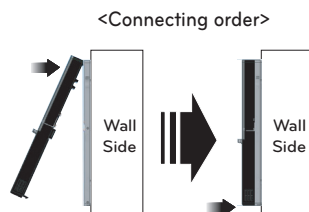
Please connect indoor unit and remote controller using connection cable.



Please use extension cable if the distance between wired remote controller and indoor unit is more than 10 m (32-4/5 ft).

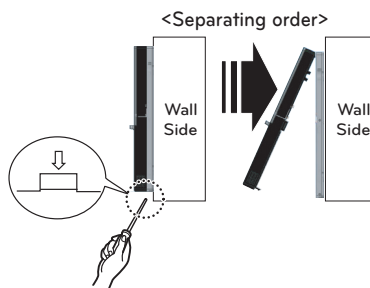
Please fix remote controller upper part into the setup board attached to the surface of the wall, as the picture below, and then, connect with setup board by pressing lower part.

- Please connect not to make a gap at the remote controller and setup board's upper and lower, right and left part.



When separating remote controller from setup board, as the picture below, after inserting into the lower separating hole using screw driver and then, spinning clockwise, remote controller is separated.

- There are two separating holes. Please individually separate one at a time.
- Please be careful not to damage the inside components when separating.



CAUTION

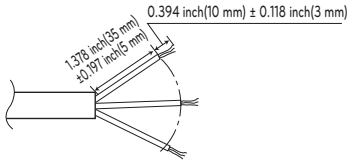
When installing the wired remote controller, do not bury it in the wall. (It can cause damage in the temperature sensor.) Do not install the cable to be 50 m or above. (It can cause communication error.)

- When installing the extension cable, check the connecting direction of the connector of the remote controller side and the product side for correct installation.
- If you install the extension cable in the opposite direction, the connector will not be connected.
- Specification of extension cable: 2547 1007 22# 2 core 3 shield 5 or above.
- Apply totally enclosed noncombustible conduit in case of local building code Requiring plenum cable usage.

<TYPE C>

When connecting Terminal Blocks of the indoor C/BOX and the wired remote controller with the extension cable, refer to the steps below.

- ① Remove the screw on the cable which is fastened to the wired remote controller's Terminal Block by loosening with a screw driver.
- ② Remove the housing of the provided 32 ft extension cable with a cutting nipper and peel it as shown in the figure below. (when purchasing the extension cable at the site directly, please peel it as shown in the figure below.)



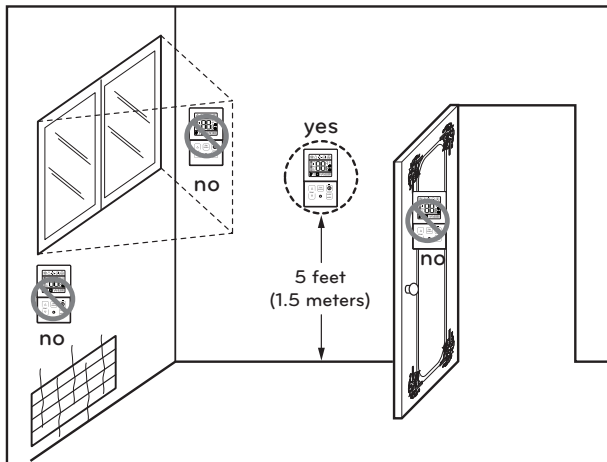
| | |
|--------|--------|
| Signal | Yellow |
| 12 V | Red |
| GND | Black |

Wired remote controller installation

Since the room temperature sensor is in the remote controller, the remote controller box should be installed in a place away from direct sunlight, high humidity and direct supply of cold air to maintain proper space temperature. Install the remote controller about 5 ft (1.5 m) above the floor in an area with good air circulation at an average temperature.

Do not install the remote controller where it can be affected by:

- Drafts, or dead spots behind doors and in corners.
- Hot or cold air from ducts.
- Radiant heat from sun or appliances.
- Concealed pipes and chimneys.
- Uncontrolled areas such as an outside wall behind the remote controller.
- This remote controller is equipped with LCD display. For proper display of the remote controller LCD's, the remote controller should be installed properly as shown in Fig.1. (The standard height is 4~5 ft (1.2~1.5 m) from floor level.)



[Fig.1]

HOW TO SET E.S.P?

Installer Setting - E.S.P.

This is the function that decides the strength of the wind for each wind level and because this function is to make the installation easier.

- If you set ESP incorrectly, the air conditioner may malfunction.
- This setting must be carried out by a certificated-technician.

※ The procedure of setting E.S.P. is refer to the manual of remote controller.

- Precaution shall be taken not to alter the E.S.P value corresponded to each air flow section.
- E.S.P value can be varied according to the products.
- In the case of going to the next air flow rate stage by pressing the fan-speed button during the setup of the E.S.P value, the E.S.P value of previous air flow rate will be maintained by remembering the E.S.P value prior to the shift.

<TYPE A>

(Unit : CMM)

| Capacity | Step | CFM | Static Pressure(mmAq(in.Aq)) | | | | | |
|----------|------|-----|------------------------------|---------|---------|---------|---------|--------|
| | | | 0(0) | 1(0.04) | 2(0.08) | 3(0.12) | 4(0.16) | 5(0.2) |
| | | | Setting Value | | | | | |
| 9 k | HIGH | 318 | 98 | 103 | 108 | 116 | 125 | 130 |
| | MID | 247 | 82 | 88 | 94 | 102 | 110 | 118 |
| | LOW | 194 | 69 | 76 | 83 | 91 | 99 | 109 |
| 12 k | HIGH | 353 | 95 | 99 | 104 | 109 | 116 | 125 |
| | MID | 300 | 86 | 91 | 96 | 101 | 108 | 116 |
| | LOW | 247 | 78 | 82 | 87 | 93 | 100 | 108 |
| 18 k | HIGH | 530 | 123 | 125 | 129 | 134 | 140 | 145 |
| | MID | 441 | 109 | 112 | 117 | 123 | 129 | 136 |
| | LOW | 353 | 95 | 99 | 104 | 109 | 116 | 124 |

<TYPE B>

| Capacity | Step | CFM | Static Pressure(mmAq(in.Aq)) | | | | | | | | | |
|----------|------|-------|------------------------------|---------|---------|---------|----------|----------|----------|----------|----------|----------|
| | | | 2.5(0.1) | 4(0.15) | 6(0.23) | 8(0.31) | 10(0.39) | 12(0.47) | 14(0.55) | 16(0.62) | 18(0.70) | 20(0.78) |
| | | | Setting Value | | | | | | | | | |
| 24 k | HIGH | 688 | 82 | 92 | 103 | 113 | 122 | 131 | 140 | 147 | 154 | 160 |
| | MID | 618 | 78 | 89 | 99 | 110 | 119 | 128 | 137 | 144 | 151 | 157 |
| | LOW | 530 | 73 | 86 | 96 | 107 | 116 | 125 | 134 | 141 | 148 | 154 |
| 36 k | HIGH | 1 130 | - | 124 | 133 | 140 | 148 | 154 | 160 | - | - | - |
| | MID | 953 | - | 112 | 122 | 130 | 137 | 155 | 152 | - | - | - |
| | LOW | 706 | - | 97 | 107 | 117 | 125 | 133 | 141 | - | - | - |

<TYPE C>

| Capacity | Step | CFM | Static Pressure(mmAq(in.Aq)) | | | | | | | | | | |
|----------|------|-------|------------------------------|---------|---------|---------|----------|----------|----------|---------|----------|----------|----------|
| | | | 2.5(0.1) | 4(0.15) | 6(0.23) | 8(0.31) | 10(0.39) | 12(0.47) | 14(0.55) | 15(0.6) | 16(0.62) | 18(0.70) | 20(0.78) |
| | | | Setting Value | | | | | | | | | | |
| 24 k | HIGH | 688 | 90 | 97 | 108 | 119 | 126 | 134 | 143 | 146 | 149 | 157 | 159 |
| | MID | 618 | 86 | 93 | 105 | 115 | 123 | 131 | 140 | 143 | 146 | 153 | 156 |
| | LOW | 530 | 82 | 90 | 102 | 112 | 120 | 128 | 137 | 140 | 143 | 150 | 153 |
| 36 k | HIGH | 1 130 | - | 96 | 103 | 109 | 115 | 120 | 126 | 129 | - | - | - |
| | MID | 953 | - | 85 | 96 | 102 | 109 | 115 | 121 | 124 | - | - | - |
| | LOW | 706 | - | 76 | 85 | 95 | 100 | 107 | 113 | 116 | - | - | - |

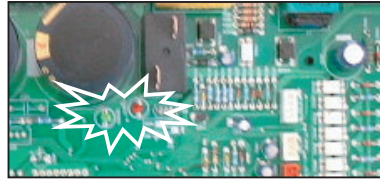
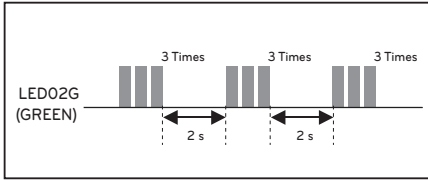
<TYPE D>

| Capacity | Step | CFM | Static Pressure(mmAq(in.Aq)) | | | | | | | | | | | |
|----------|------|-------|------------------------------|---------|--------|---------|---------|---------|---------|----------|----------|----------|----------|----------|
| | | | 2.5(0.1) | 4(0.16) | 5(0.2) | 6(0.24) | 7(0.28) | 8(0.31) | 9(0.35) | 10(0.39) | 11(0.43) | 12(0.47) | 13(0.51) | 15(0.59) |
| | | | Setting Value | | | | | | | | | | | |
| 24 k | HIGH | 777 | 110 | 117 | 121 | 124 | 127 | 130 | 133 | 136 | 137 | - | 138 | 140 |
| | MID | 706 | 102 | 110 | 114 | 118 | 120 | 125 | 127 | 130 | 133 | - | 134 | 136 |
| | LOW | 636 | 96 | 102 | 107 | 110 | 114 | 118 | 122 | 125 | 127 | - | 130 | 132 |
| 36 k | HIGH | 1 130 | - | 109 | 112 | 115 | 119 | 122 | 126 | 128 | 131 | 134 | 137 | 144 |
| | MID | 989 | - | 101 | 105 | 108 | 112 | 115 | 119 | 123 | 127 | 130 | 133 | 138 |
| | LOW | 848 | - | 92 | 97 | 101 | 105 | 109 | 113 | 117 | 121 | 124 | 127 | 134 |

SELF-DIAGNOSIS FUNCTION

Indoor Unit Error

Ex) Error 03 (Remote controller error)

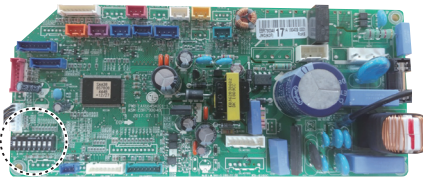
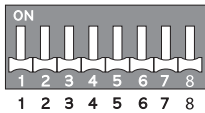


| Error Code | Description | LED 1(Red) | LED 2(Green) | Indoor status |
|------------|--|------------|--------------|---------------|
| 01 | Indoor Room sensor error | 0 | 1 time ● | OFF |
| 02 | Indoor in-pipe sensor error | 0 | 2 times ● | OFF |
| 03 | Remote controller error | 0 | 3 times ● | OFF |
| 04 | Drain pump error | 0 | 4 times ● | OFF |
| 05 | Communication error indoor and outdoor | 0 | 5 times ● | OFF |
| 06 | Indoor out-pipe sensor error | 0 | 6 times ● | OFF |
| 09 | EEPROM error (indoor) | 0 | 9 times ● | OFF |
| 10 | BLDC motor fan lock (indoor) | 1 time ● | 0 | OFF |

* Because remote controller turn off when occur ERROR in simultaneous operation system, it should check LED blinks of outdoor in order to confirm error code.

* Repeatedly after LED1 is turned on and off as the Error code number of tens digit, LED2 is turned on and off as the Error code number of single-digit.

DIP SWITCH SETTING



Indoor PCB

| Function | Description | Setting Off | Setting On | Default | |
|----------|------------------|-------------------------------|--|---------|-----|
| SW3 | Group Control | Selection of Master or Slave | Master | Slave | Off |
| SW4 | Dry Contact Mode | Selection of Dry Contact Mode | Wired/Wireless remote controller Selection of Manual or Auto operation Mode | Auto | Off |
| SW5 | Installation | Fan continuous operation | Continuous operation Removal | Working | Off |



| | |
|--------|--|
| US | Please call the installing contractor of your product, as warranty service will be provided by them. |
| CANADA | Service call Number # : (888) LG Canada, (888) 542-2623 Numéro pour les appels de service : LG Canada, 1-888-542-2623 |



MULTI F

MULTI F MAX

OUTDOOR UNIT INSTALLATION MANUAL

Multi-Zone Heat Pump Systems
1.5 to 5 Tons



Dual and Tri-Zone
Multi F



Quad-Zone
Multi F



Eight-Zone
Multi F MAX

PROPRIETARY DATA NOTICE

This document, as well as all reports, illustrations, data, information, and other materials are the property of LG Electronics U.S.A., Inc., and are disclosed by LG Electronics U.S.A., Inc. only in confidence.

**Do not throw away, destroy, or lose this manual.
Please read carefully and store in a safe place for future reference.
Content familiarity required for proper installation.**

The instructions included in this manual must be followed to prevent product malfunction, property damage, injury, or death to the user or other people. Incorrect operation due to ignoring any instructions will cause harm or damage. The level of seriousness is classified by the symbols described by the summary list of safety precautions on page 4.





For more materials such as submittals, catalogs, engineering, installation, owner's, and service manuals, visit www.lghvac.com.

For continual product development, LG Electronics U.S.A., Inc. reserves the right to change specifications without notice.

© LG Electronics U.S.A., Inc.


The instructions below must be followed to prevent product malfunction, property damage, injury or death to the user or other people. Incorrect operation due to ignoring any instructions will cause harm or damage. The level of seriousness is classified by the symbols described below.


TABLE OF SYMBOLS

| | |
|--|--|
|  DANGER | <i>This symbol indicates an imminently hazardous situation which, if not avoided, will result in death or serious injury.</i> |
|  WARNING | <i>This symbol indicates a potentially hazardous situation which, if not avoided, could result in death or serious injury.</i> |
|  CAUTION | <i>This symbol indicates a potentially hazardous situation which, if not avoided, may result in minor or moderate injury.</i> |
| Note | <i>This symbol indicates situations that may result in equipment or property damage accidents only.</i> |
|  | <i>This symbol indicates an action should not be completed.</i> |


Installation

 **DANGER**

 **Do not store or use flammable gas or combustibles near the unit.**
There is risk of fire, explosion, and physical injury or death.


 **Do not supply power to the unit until all wiring and piping are completed or reconnected and checked.**
There is risk of physical injury or death due to electric shock.

 **WARNING**

 **Do not install, remove, or re-install the unit by yourself (end user). Ask the dealer or a trained technician to install the unit.**
Improper installation by the user may result in fire, explosion, electric shock, physical injury or death.

For replacement of an installed unit, always contact an LG trained service provider.
There is risk of fire, electric shock, explosion, and physical injury or death.

Wear protective gloves when handling equipment. Sharp edges may cause personal injury.


 **Do not change the settings of the protection devices.**
If the protection devices have been bypassed or is forced to operate improperly, or parts other than those specified by LG are used, there is risk of fire, electric shock, explosion, and physical injury or death.

Replace all control box and panel covers.
If cover panels are not installed securely, dust, water and animals may enter the outdoor unit, causing fire, electric shock, and physical injury or death.

Always check for system refrigerant leaks after the unit has been installed or serviced.
Exposure to high concentration levels of refrigerant gas may lead to illness or death.


Periodically check that the outdoor frame is not damaged.
There is a risk of explosion, physical injury, or death.

If the air conditioner is installed in a small space, take measures to prevent the refrigerant concentration from exceeding safety limits in the event of a refrigerant leak.
Consult the latest edition of ASHRAE (American Society of Heating, Refrigerating, and Air Conditioning Engineers) Standard 15. If the refrigerant leaks and safety limits are exceeded, it could result in personal injuries or death from oxygen depletion.

The branch distribution (BD) unit must be installed indoors;
 **do not install the BD unit in a highly humid environment.**
There is risk of physical injury or death due to electric shock.

Dispose the packing materials safely.
• *Packing materials, such as nails and other metal or wooden parts, may cause puncture wounds or other injuries.*
• *Tear apart and throw away plastic packaging bags so that children may not play with them and risk suffocation and death.*

Install the unit considering the potential for strong winds or earthquakes.
Improper installation may cause the unit to fall over, resulting in physical injury or death.

Install the unit in a safe location where nobody can step, fall onto it, or place objects on it.  **Do not install the unit on a defective stand.**
It may result in an accident that causes physical injury or death.

Installation, continued

⚠ WARNING

Properly insulate all cold surfaces to prevent “sweating.”

Cold surfaces such as uninsulated piping can generate condensate that could drip, causing a slippery surface that creates a risk of slipping, falling, and personal injury.

⚠ CAUTION

Be very careful when transporting the product. There is a risk of the product falling and causing physical injury.

- Use appropriate moving equipment to transport each frame; ensure the equipment is capable of supporting the weights listed.
- Some products use polypropylene bands for packaging. Ⓣ Do not use polypropylene bands to lift the unit.
- Support the outdoor unit a minimum of four points to avoid slippage from rigging apparatus.

Note

LG Electronics U.S.A., Inc., is not responsible for any piping calculations, refrigerant leaks, degradation of performance, or any other potential problems or damages as a result of interconnecting piping, their joint connections, isolation valves, introduced debris inside the piping system, or other problems caused by the interconnecting piping system.

Ⓣ Do not install the product where it is exposed directly to ocean winds.

Sea salt in the air may cause the product to corrode. Corrosion, particularly on the condenser and evaporator fins, could cause product malfunction or inefficient operation.

When installing the outdoor unit in a low-lying area, or a location that is not level, use a raised concrete pad or concrete blocks to provide a solid, level foundation.

This prevents water damage and abnormal vibration.

Properly insulate all cold surfaces to prevent “sweating.”

Cold surfaces such as uninsulated piping can generate condensate that may drip and cause water damage to walls.

Always check for system refrigerant leaks after the unit has been installed or serviced.

Low refrigerant levels may cause product failure.

The branch distribution (BD) unit must be installed indoors;

Ⓣ Do not install the BD box in a highly humid environment. *There is risk of product failure and property damage.*

Ⓣ Do not make refrigerant substitutions. Use R410A only.

If a different refrigerant is used, or air mixes with original refrigerant, the unit will malfunction and be damaged.

Ⓣ Do not store or use flammable gas / combustibles near the unit.

There is a risk of product failure.

Ⓣ Do not use the product for mission critical or special purpose applications such as preserving foods, works of art, or other precision air conditioning applications. The equipment is designed to provide comfort cooling and heating.

There is risk of property damage.

Keep the unit upright during installation to avoid vibration or water leakage.

When connecting refrigerant tubing, remember to allow for pipe expansion.

Improper piping may cause refrigerant leaks and system malfunction.

Ⓣ Do not install the outdoor unit or BD unit in a noise-sensitive area.

Take appropriate actions at the end of HVAC equipment life to recover, recycle, reclaim or destroy R410A refrigerant according to applicable U.S. Environmental Protection Agency (EPA) rules.

Periodically check that the outdoor frame is not damaged.

There is a risk of equipment damage.

Install the unit in a safe location where nobody can step on or fall onto it. Do not install the unit on a defective stand.

There is a risk of unit and property damage.

Install the drain hose to ensure adequate drainage.

There is a risk of water leakage and property damage.

Wiring

⚠ DANGER

High voltage electricity is required to operate this system. Adhere to the NEC code and these instructions when wiring. Improper connections and inadequate grounding can cause accidental injury or death.

Always ground the unit following local, state, and NEC codes.
There is risk of fire, electric shock, and physical injury or death.

Turn the power off at the nearest disconnect before servicing the equipment.
Electrical shock can cause physical injury or death.

Properly size all circuit breakers or fuses.
There is risk of fire, electric shock, explosion, physical injury or death.

⊘ **Do not share the electrical circuit with other appliances.**
There is risk of fire, electric shock, and physical injury or death due to heat generation.

⊘ **Do not use damaged or loose power wiring.** ⊘ **Do not modify or extend the outdoor unit's power wiring randomly. Ensure that the power wiring will not be pulled nor weight be placed on the power wiring during operation.**
There is risk of fire, electric shock, and physical injury or death.

⚠ WARNING

The information contained in this manual is intended for use by an industry-qualified, experienced, certified electrician familiar with the U.S. National Electric Code (NEC) who is equipped with the proper tools and test instruments. Failure to carefully read and follow all instructions in this manual can result in equipment malfunction, property damage, personal injury or death.

All electric work must be performed by a licensed electrician and conform to local building codes or, in the absence of local codes, with the National Electrical Code, and the instructions given in this manual.
If the power source capacity is inadequate or the electric work is not performed properly, it may result in fire, electric shock, physical injury or death.

Refer to local, state, and federal codes, and use power wires of sufficient current capacity and rating.
Wires that are too small may generate heat and cause a fire.

Secure all field wiring connections with appropriate wire strain relief.
Improperly securing wires will create undue stress on equipment power lugs. Inadequate connections may generate heat, cause a fire and physical injury or death.

Ensure the system is connected to a dedicated power source that provides adequate power.
If the power source capacity is inadequate or the electric work is not performed properly, it may result in fire, electric shock, physical injury or death.

Properly tighten all power connections.
Loose wiring may overheat at connection points, causing a fire, physical injury or death.

⊘ **Do not change the settings of the protection devices.**
If the protection devices have been bypassed or are forced to operate improperly, or parts other than those specified by LG are used, there is risk of fire, electric shock, explosion, and physical injury or death.

Note

⊘ **Do not supply power to the unit until all electrical wiring, controls wiring, piping, installation, and refrigerant system evacuation are completed.**
System may malfunction.

Operation

⚠ DANGER

⊘ Do not provide power to or operate the unit if it is flooded or submerged.

There is risk of fire, electric shock, physical injury or death.

Use a dedicated breaker for this product.

There is risk of fire, electric shock, physical injury or death.

⊘ Do not operate the disconnect switch with wet hands.

There is risk of fire, electric shock, physical injury or death.

Periodically verify the equipment mounts have not deteriorated.

If the base collapses, the unit could fall and cause physical injury or death.

Use inert (nitrogen) gas when performing leak tests or air purges. ⊘ Do not use compressed air, oxygen, or flammable gases.

Using these substances may cause fire, explosion, and physical injury or death.

If refrigerant leaks out, ventilate the area before operating the unit.

If the unit is mounted in an enclosed, low-lying, or poorly ventilated area, and the system develops a refrigerant leak, it may cause a fire, electric shock, explosion, physical injury or death.

⚠ WARNING

⊘ Do not allow water, dirt, or animals to enter the unit.

There is risk of fire, electric shock, physical injury or death.

⊘ Do not operate the unit with the panel(s) or protective cover(s) removed; keep fingers and clothing away from moving parts.

The rotating, hot, cold, and high-voltage parts of the unit can cause physical injury or death.

⊘ Do not touch the refrigerant piping during or after operation.

It can cause burns or frostbite.

⊘ Do not open the inlet during operation.

There is risk of electric shock, physical injury or death.

⚠ CAUTION

To avoid physical injury, use caution when cleaning or servicing the air conditioner.

Note

Clean up the site after servicing is finished, and check that no metal scraps, screws, or bits of wiring have been left inside or surrounding the unit.

⊘ Do not use the product for mission critical or special purpose applications such as preserving foods, works of art, or other precision air conditioning applications. The equipment is designed to provide comfort cooling and heating.

Oil, steam, sulfuric smoke, etc., can significantly reduce the performance of the unit, or damage its parts.

⊘ Do not block the inlet or outlet.

Unit may malfunction.

⊘ Do not allow water, dirt, or animals to enter the unit.

There is risk of unit failure.

⊘ Do not open the inlet during operation.

There is risk of unit failure.

⊘ Do not operate the unit when the panel(s) or protective cover(s) are removed; keep fingers and clothing away from moving parts.

Non-secured covers can result in malfunction due to dust or water in the service panel.

Periodically verify the equipment mounts have not deteriorated.

If the base collapses, the unit could fall and cause property damage or product failure.

Use a only soft cloth to clean the air conditioner. ⊘ Do not use wax, thinner, or strong detergents.

Strong cleaning products may damage the surface of the air conditioner, or may cause its appearance to deteriorate.

| | |
|--|--------------|
| Safety Instructions | 3-6 |
| Multi F / Multi F MAX Outdoor Unit Specifications | 8-10 |
| Electrical Data | 11 |
| R410A Refrigerant | 12 |
| General Installation Guidelines | 13-34 |
| <i>Location Selection for Outdoor Units</i> | 13 |
| <i>Oceanside Installation Precautions</i> | 13 |
| <i>Rooftop Installations</i> | 14 |
| <i>Planning for Snow and Ice</i> | 14 |
| <i>Tie-Downs and Lightning Protection</i> | 14 |
| <i>Allowable Clearances</i> | 15-17 |
| <i>Rigging and Lifting Instructions</i> | 18 |
| <i>Platform Instructions</i> | 19 |
| <i>Mounting Bolt Location</i> | 19 |
| <i>Location Selection for Branch Distribution Unit</i> | 20-21 |
| <i>Branch Distribution Unit Installation</i> | 22-23 |
| Piping Preparation | 24-25 |
| Piping Materials and Handling | 26-34 |
| Refrigerant Piping Connections | 35-40 |
| Flushing the Refrigerant Piping | 41 |
| Leak Test and Vacuum Procedures | 42-44 |
| Refrigerant Charge | 45-47 |
| Refrigerant Piping Insulation | 48-52 |
| Electrical Wiring | 53-70 |
| <i>General Information</i> | 53-54 |
| <i>Power Wiring and Communications Cable Connections</i> | 55-59 |
| <i>Test Run</i> | 60 |
| <i>DIP Switch Settings</i> | 61-65 |
| <i>Self Diagnosis Functions</i> | 66-71 |
| Caution for Refrigerant Leakage | 72-73 |
| Installation Checklists | 74-79 |

SPECIFICATIONS

Multi F Outdoor Units

MULTI F
MULTI F MAX

Table 1: Multi F Outdoor Unit Specifications.

| Model Number | LMU18CHV | LMU24CHV | LMU30CHV | LMU36CHV |
|--|---|-----------------------|-----------------------|-----------------------|
| Cooling Capacity (Btu/h) ¹ (Min.-Rated- Max.) | 8,400-17,000-19,000 | 8,400-20,000-25,000 | 8,400-30,000-36,000 | 8,400-32,000-38,400 |
| Heating Capacity (Btu/h) ¹ (Min.-Rated- Max.) | 10,248-22,000-24,000 | 9,240-24,000-28,800 | 9,240-32,000-38,400 | 9,240-36,000-41,600 |
| Operating Range | | | | |
| Cooling (°F DB) | 14 ⁷ - 118 | 14 ⁷ - 118 | 14 ⁷ - 118 | 14 ⁷ - 118 |
| Heating (°F WB) | -4 - 64 | -4 - 64 | -4 - 64 | -4 - 64 |
| Compressor | | | | |
| Inverter Quantity | Twin Rotary x 1 | Twin Rotary x 1 | Twin Rotary x 1 | Twin Rotary x 1 |
| Oil Type | FVC68D | FVC68D | FVC68D | FVC68D |
| Fan (Side Discharge) | | | | |
| Type | Propeller | Propeller | Propeller | Propeller |
| Motor Output (W) x Qty. | 85.4 x 1 | 85.4 x 1 | 124.2 x 1 | 124.2 x 1 |
| Motor/Drive | Brushless Digitally Controlled / Direct | | | |
| Maximum Air Volume (CFM) | 1,766 | 1,766 | 2,119 | 2,119 |
| Unit Data | | | | |
| Refrigerant Type | R410A | R410A | R410A | R410A |
| Refrigerant Control/Location | EEV/Outdoor Unit | EEV/Outdoor Unit | EEV/Outdoor Unit | EEV/Outdoor Unit |
| Min. Number Indoor Units/System ² | 2 | 2 | 2 | 2 |
| Max. Number Indoor Units/System ² | 2 | 3 | 4 | 4 |
| Maximum Allowable Total Indoor Unit Connected Capacity (Btu/h) | 24,000 | 33,000 | 40,000 | 48,000 |
| Sound Pressure (Cooling / Heating) dB(A) ³ | 49 / 52 | 49 / 52 | 52 / 55 | 52 / 55 |
| Net Unit Weight (lbs.) | 100 | 100 | 137 | 137 |
| Shipping Weight (lbs.) | 108 | 108 | 148 | 148 |
| Power Wiring / Communications Cable (No. x AWG) ^{4,5} | 4C x 18 | 4C x 18 | 4C x 18 | 4C x 18 |
| Heat Exchanger | | | | |
| Material and Fin Coating | Copper Tube/Aluminum Fin and GoldFin™/Hydrophilic | | | |
| Rows/Columns/Fins per inch x Qty. | (2 x 28 x 14) x 1 | (2 x 28 x 14) x 1 | (2 x 38 x 14) x 1 | (2 x 38 x 14) x 1 |
| Piping | | | | |
| Liquid Line Connection (in., OD) x Qty. | 1/4 x 2 | 1/4 x 3 | 1/4 x 4 | 1/4 x 4 |
| Vapor Line Connection (in., OD) x Qty. | 3/8 x 2 | 3/8 x 3 | 3/8 x 4 | 3/8 x 4 |
| Factory Charge lbs. of R410A | 3.96 | 3.96 | 6.18 | 6.18 |
| Piping Lengths | | | | |
| Maximum Total Piping (ft.) ⁶ | 164.0 | 246.1 | 246.1 | 246.1 |
| Maximum Outdoor Unit to Indoor Unit Piping (ft) | 82.0 | 82.0 | 82.0 | 82.0 |
| Piping Length (No Additional Refrigerant [ft]) | 49.2 | 73.8 | 98.4 | 98.4 |
| Maximum Elevation between Outdoor Unit and Indoor Unit (ft.) | 49.2 | 49.2 | 49.2 | 49.2 |
| Maximum Elevation between Indoor Unit and Indoor Unit (ft.) | 24.6 | 24.6 | 24.6 | 24.6 |

¹Rated capacity applied with non-ducted indoor units, and is rated 0 ft. above sea level with 25 ft. of refrigerant line per indoor unit and a 0 ft. level difference between outdoor and indoor units. All capacities are net with a combination ratio between 95 - 105%.

Rated cooling capacity obtained with air entering the indoor unit at 80°F dry bulb (DB) and 67°F wet bulb (WB) and outdoor ambient conditions of 95°F dry bulb (DB) and 75°F wet bulb (WB).

Rated heating capacity obtained with air entering the indoor unit at 70°F dry bulb (DB) and 60°F wet bulb (WB) and outdoor ambient conditions of 47°F dry bulb (DB) and 43°F wet bulb (WB).

²At least two indoor units should be connected. For allocated capacity information, see the combination tables in the "Multi F / Multi F MAX Combination Data Manual" on www.lg-dfs.com. For performance data, see "Multi F / Multi F MAX Performance Data Manual" on www.lg-dfs.com.

³Sound pressure levels are tested in an anechoic chamber under ISO Standard 3745 and are the same in both cooling and heating mode. These values can increase due to ambient conditions during operation.

⁴Power wiring to the outdoor unit is field supplied, solid or stranded, and must comply with the applicable local and national codes. For detailed information, please refer to electrical characteristics on page 11.

⁵All power wiring / communication cable to be minimum 18 AWG from the outdoor unit to the indoor unit, stranded, shielded or unshielded (if shielded, it must be grounded to the chassis of the outdoor unit only), and must comply with applicable local and national codes. For detailed electrical information, please refer to electric characteristics on page 11.

⁶Piping lengths are equivalent.

⁷Installation of an optional Low Ambient Wind Baffle Kit will allow operation down to -4°F in cooling mode.

Table 2: Multi F MAX Outdoor Unit General Data.

| Model Number | LMU480HV | LMU540HV | LMU600HV |
|--|---|-----------------------|-----------------------|
| Cooling Capacity (Btu/h) (Minimum ~ Rated ~ Maximum) ¹ | 14,400~48,000~58,000 | 14,400~52,500~63,200 | 15,600~60,000~68,000 |
| Heating Capacity (Btu/h) (Minimum ~ Rated ~ Maximum) ¹ | 15,840~54,000~61,000 | 16,272~58,000~64,000 | 17,940~64,000~70,000 |
| Operating Range | | | |
| Cooling (°F DB) | 14 ⁷ - 118 | 14 ⁷ - 118 | 14 ⁷ - 118 |
| Heating (°F WB) | -4 - 64 | -4 - 64 | -4 - 64 |
| Compressor | | | |
| Inverter Quantity | Twin Rotary x 1 | Twin Rotary x 1 | Twin Rotary x 1 |
| Oil Type | FVC68D | FVC68D | FVC68D |
| Fan (Side Discharge) | | | |
| Type | Propeller | Propeller | Propeller |
| Motor Output (W) x Qty. | 124.2 x 2 | 124.2 x 2 | 124.2 x 2 |
| Motor/Drive | Brushless Digitally Controlled/Direct | | |
| Maximum Air Volume (CFM) | 2,119 x 2 | 2,119 x 2 | 2,119 x 2 |
| Unit Data | | | |
| Refrigerant Type | R410A | R410A | R410A |
| Refrigerant Control/Location | EEV / Outdoor Unit, Branch Distribution Unit | | |
| Min. Number Indoor Units/System ² | 2 | 2 | 2 |
| Max. Number Indoor Units/System ² | 8 | 8 | 8 |
| Maximum Allowable Total Indoor Unit Connected Capacity (Btu/h) | 65,000 | 73,000 | 81,000 |
| Sound Pressure ±3 dB(A) ³ (Cooling / Heating) | 54 / 56 | 54 / 56 | 56 / 58 |
| Net Unit Weight (lbs.) | 214 | 214 | 223 |
| Shipping Weight (lbs.) | 236 | 236 | 249 |
| Power/Communications Wiring Between ODU and BD Unit (No. X AWG) ^{4,5} | 4C X 16 | 4C X 16 | 4C x 16 |
| Heat Exchanger | | | |
| Material and Fin Coating | Copper Tube / Aluminum Fin and GoldFin™/Hydrophilic | | |
| Rows/Columns/Fins per inch x Qty. | (2 x 32 x 14) x 2 | (2 x 32 x 14) x 2 | (3 x 32 x 14) x 2 |
| Piping | | | |
| Liquid Line Connection (in., OD) x Qty. | 3/8 x 1 | 3/8 x 1 | 3/8 x 1 |
| Vapor Line Connection (in., OD) x Qty. | 3/4 x 1 | 3/4 x 1 | 3/4 x 1 |
| Factory Charge lbs. of R410A | 9.7 | 9.7 | 12.3 |
| Piping Lengths | | | |
| Maximum Total System Piping (ft.) ⁶ | 475.7 | 475.7 | 475.7 |
| Maximum Main Pipe Length (Outdoor Unit to BD Unit (ft.)) | 180.4 | 180.4 | 180.4 |
| Total Branch Piping (BD Units to all Indoor Units (ft.)) | 295.3 | 295.3 | 295.3 |
| Maximum Branch Pipe Length (Length between each BDU and IDU (ft.)) | 49.2 | 49.2 | 49.2 |
| Maximum Outdoor Unit to Indoor Unit Pipe Length (ft.) | 229.6 | 229.6 | 229.6 |
| Max. Main Piping Length (No Additional Refrigerant (ft.)) | 16 | 16 | 16 |
| Max. Branch Piping Length (No Additional Refrigerant (ft.)) | 131 | 131 | 147.6 |
| Maximum Elevation between Outdoor Unit and Indoor Unit (ft.) | 98.4 | 98.4 | 98.4 |
| Maximum Elevation between Indoor Unit and Indoor Unit (ft.) | 49.2 | 49.2 | 49.2 |
| Maximum Elevation between BD Unit and Indoor Unit (ft.) | 32.8 | 32.8 | 32.8 |
| Maximum Elevation between BD Unit and BD Unit (ft.) | 49.2 | 49.2 | 49.2 |

¹Rated capacity applied with non-ducted indoor units, and is rated 0 ft. above sea level with a 0 ft. level difference between outdoor and indoor units. All capacities are net with a combination ratio between 95 – 105%.

Rated cooling capacity obtained with air entering the indoor unit at 80°F dry bulb (DB) and 67°F wet bulb (WB) and outdoor ambient conditions of 95°F dry bulb (DB) and 75°F wet bulb (WB). Rated heating capacity obtained with air entering the indoor unit at 70°F dry bulb (DB) and 60°F wet bulb (WB) and outdoor ambient conditions of 47°F dry bulb (DB) and 43°F wet bulb (WB).

²At least one Branch Distribution Unit is required for system operation; a maximum of two can be installed per outdoor unit with use of Y-branch accessory (PMBL5620). At least two indoor units should be connected. For allocated capacity information, see the combination tables in the "Multi F / Multi F MAX Combination Data Manual" on www.lg-dfs.com. For performance data, see "Multi F / Multi F MAX Performance Data Manual" on www.lg-dfs.com.

³Sound pressure levels are tested in an anechoic chamber under ISO Standard 3745. These values can increase due to ambient conditions during operation.

⁴Power wiring to the outdoor unit is field supplied, solid or stranded, and must comply with the applicable local and national codes. For detailed information, please refer to electrical characteristics on page 11.

⁵All power wiring / communication cable to be minimum 16 AWG from the outdoor unit to the BD unit (Multi F MAX systems only), and 18 AWG from the BD unit to the indoor unit, stranded, shielded or unshielded (if shielded, it must be grounded to the chassis of the outdoor unit only), and must comply with applicable local and national codes. For detailed electrical information, please refer to electric characteristics on page 11.

⁶Piping lengths are equivalent.

⁷Installation of an optional Low Ambient Wind Baffle Kit will allow operation down to -4°F in cooling mode.

SPECIFICATIONS

Multi F MAX Branch Distribution Units

MULTI F
MULTI F MAX

Table 3: Multi F MAX BD Unit General Data.

| Model Number | PMBD3620 | PMBD3630 | PMBD3640 | PMBD3641 |
|---|---------------------------------|---------------------------------|---------------------------------|--|
| No. of Connectible Indoor Units ¹ | 1-2 | 1-3 | 1-4 | 1-4 |
| Max. Nominal Capacity / Port (Btu/h) ² | 24,000 | 24,000 | 24,000 | 24,000 for A,B,C Ports; 36,000 for D Port |
| Max. Nominal Capacity / BD Unit (Btu/h) | 48,000 | 72,000 | 73,000 | 73,000 |
| Operation Temperature Range (°F DB) | 0 ~ 150 | 0 ~ 150 | 0 ~ 150 | 0 ~ 150 |
| Unit Data | | | | |
| Refrigerant Type | R410A | R410A | R410A | R410A |
| Power Supply V, Ø, Hz | 208-230, 1, 60 | 208-230, 1, 60 | 208-230, 1, 60 | 208-230, 1, 60 |
| Power Input (W) | 16 | 24 | 32 | 32 |
| Rated Amps (A) | 0.08 | 0.12 | 0.16 | 0.16 |
| Dimensions W x H x D (in.) | 17-3/32 x 6-13/32 x 10-23/32 | 17-3/32 x 6-13/32 x 10-23/32 | 17-3/32 x 6-13/32 x 10-23/32 | 17-3/32 x 6-13/32 x 10-23/32 |
| Net Unit Weight (lbs.) | 13 | 14.3 | 15.7 | 15.7 |
| Shipping Weight (lbs.) | 15 | 17 | 18 | 18 |
| Power Wiring / Communication Cables³ | | | | |
| From Outdoor Unit to BD Unit (Qty. x AWG) ³ | 4 x 16 | 4 x 16 | 4 x 16 | 4 x 16 |
| From BD Unit to Indoor Unit (Qty. x AWG) ³ | 4 x 18 | 4 x 18 | 4 x 18 | 4 x 18 |
| Piping Connections | | | | |
| Outdoor Unit to BD Unit | Liquid (in., OD) | Ø3/8 | Ø3/8 | Ø3/8 |
| | Vapor (in., OD) | Ø3/4 | Ø3/4 | Ø3/4 |
| BD Unit to Indoor Units | Liquid (in., OD) x Qty. | Ø1/4 x 2 | Ø1/4 x 3 | Ø1/4 x 4 |
| | Vapor (in., OD) x Qty. | Ø3/8 x 2 | Ø3/8 x 3 | Ø3/8 x 4 Ø1/2 x 1 |
| Piping Lengths | | | | |
| Maximum Total System Piping (ft.) ⁴ | 475.7 | 475.7 | 475.7 | 475.7 |
| Maximum Main Pipe Length (Outdoor Unit to BD Units [ft.]) | 180.4 | 180.4 | 180.4 | 180.4 |
| Maximum Total Branch Piping (BD Units to Indoor Units [ft.]) | 295.3 | 295.3 | 295.3 | 295.3 |
| Maximum Branch Pipe Length Between BD Unit and Each Indoor Unit [ft.] | 49.2 | 49.2 | 49.2 | 49.2 |
| Maximum Outdoor Unit to Indoor Unit Pipe Length (ft.) | 229.6 | 229.6 | 229.6 | 229.6 |
| Main Piping Length (No Additional Refrigerant (ft.)) | 16 | 16 | 16 | 16 |
| Branch Piping Length (No Additional Refrigerant (ft.)) | 131 | 131 | 131 | 131 |
| Maximum Elevation between BD Unit and Indoor Unit (ft.) | 32.8 | 32.8 | 32.8 | 32.8 |
| Maximum Elevation between BD Unit and BD Unit (ft.) | 49.2 | 49.2 | 49.2 | 49.2 |

¹At least one Branch Distribution Unit is required for system operation; a maximum of two can be installed per outdoor unit with use of Y-branch accessory (PMBL5620) To connect only one (1) indoor unit to a branch distribution unit, the system must include another branch distribution unit with at least one (1) connected indoor unit.

²Branch Distribution Unit can accommodate from one (1) indoor unit up to four (4) indoor units depending on the ports available on the Branch Distribution Unit.

³All power wiring / communication cable to be minimum 16 AWG from the outdoor unit to the BD unit (Multi F MAX systems only), and 18 AWG from the BD unit to the indoor unit, stranded, shielded or unshielded (if shielded, it must be grounded to the chassis of the outdoor unit only), and must comply with applicable local and national codes. For detailed electrical information, please refer to electric characteristics on page 11.

⁴Piping lengths are equivalent.

Table 4: Multi F Outdoor Unit Electrical Data.

| Nominal Tons | Unit Model No. | Hertz | Voltage | Phase | Voltage Range (Min. to Max.) | MCA | MOP | Compressor Quantity | Compressor Motor RLA | Outdoor Fan Motor | | Indoor Fan Motor |
|--------------|----------------|-------|-----------|-------|------------------------------|------|-----|---------------------|----------------------|-------------------|------|------------------|
| | | | | | | | | | | kW | FLA | FLA |
| 1.5 | LMU18CHV | 60 | 208 - 230 | 1 | 187 - 253 | 13.3 | 20 | 1 | 8.9 | 0.09 | 0.59 | 1.60 |
| 2 | LMU24CHV | | | | | 14.3 | 20 | 1 | 9.4 | 0.09 | 0.59 | 2.00 |
| 2.5 | LMU30CHV | | | | | 16.6 | 25 | 1 | 10.8 | 0.12 | 0.73 | 2.40 |
| 3 | LMU36CHV | | | | | 17.9 | 25 | 1 | 11.2 | 0.12 | 0.73 | 3.20 |

Voltage tolerance is ±10%.

Maximum allowable voltage unbalance is 2%.

RLA = Rated Load Amps.

MCA = Minimum Circuit Ampacity.

Maximum Overcurrent Protection (MOP) is calculated as follows: (Largest motor FLA x 2.25) + (Sum of other motor FLA) rounded down to the nearest standard fuse size.

Indoor Fan Motor (FLA) is based on the maximum combination of indoor units.

The max combination for each outdoor unit is:

- 18,000 ODU (LMU18CHV): 12,000 IDU x 2
- 24,000 ODU (LMU24CHV): 12,000 IDU x 2 + 9,000 IDU x 1
- 30,000 ODU (LMU30CHV): 12,000 IDU x 3
- 36,000 ODU (LMU36CHV): 12,000 IDU x 4

Table 5: Multi F MAX Electrical Data.

| Nominal Tons | Unit Model No. | Hertz | Voltage | Phase | Voltage Range (Min. to Max.) | MCA | MOP | Compressor Quantity | Compressor Motor RLA | Condenser Fan Motor(s) | | Indoor Fan Motor |
|--------------|----------------|-------|-----------|-------|------------------------------|------|-----|---------------------|----------------------|-----------------------------|-------------------------|------------------|
| | | | | | | | | | | Condenser Fan Quantity x kW | Condenser Fan Motor FLA | |
| 4.0 | LMU480HV | 60 | 208 - 230 | 1 | 187 - 253 | 27.3 | 40 | 1 | 17.5 | 2 x 0.12 | 0.73 x 2 | 4.0 |
| 4.5 | LMU540HV | 60 | 208 - 230 | | 187 - 253 | 29.4 | 40 | 1 | 18.5 | 2 x 0.12 | 0.73 x 2 | 4.8 |
| 5.0 | LMU600HV | 60 | 208 - 230 | | 187 - 253 | 32.2 | 45 | 1 | 20.4 | 2 x 0.12 | 0.73 x 2 | 5.2 |

Voltage tolerance is ±10%.

Maximum allowable voltage unbalance is 2%.

RLA = Rated Load Amps.

MCA = Minimum Circuit Ampacity.

Maximum Overcurrent Protection (MOP) is calculated as follows: (Largest motor FLA x 2.25) + (Sum of other motor FLA) rounded down to the nearest standard fuse size.

Indoor Fan Motor (FLA) is based on the maximum combination of indoor units.

The max combination for each outdoor unit is:

- 48,000 ODU (LMU480HV): 12,000 IDU x 5
- 54,000 ODU (LMU540HV): 12,000 IDU x 6
- 60,000 ODU (LMU600HV): 12,000 IDU x 6 + 9,000 IDU x 1

R410A Refrigerant

R410A refrigerant has a higher operating pressure in comparison to R22 refrigerant and, therefore, all piping system materials installed must have a higher resisting pressure than the materials traditionally used in R22 systems.

R410A refrigerant is an azeotrope of R32 and R125, mixed at 50:50, so the ozone depletion potential (ODP) is 0.

⚠ WARNING

⊘ Do not place refrigerant cylinder in direct sunlight. Refrigerant cylinder may explode causing severe injury or death.

Note

- Because R410A is a combination of R32 and R125, the required additional refrigerant must be charged in its liquid state. If the refrigerant is charged in its gaseous state, its composition changes and the system will not work properly.
- ⊘ Do not heat piping more than necessary during installation. Piping may become soft and fail when pressurized.
- ⊘ Do not use any piping that has not been approved for use in high-pressure refrigerant systems. Piping wall thickness must comply with the applicable local, state, and federal codes for the 551 psi design pressure of R410A. Inadequate piping may fail when pressurized.

Selecting the Best Location for the Outdoor Unit

⚠ DANGER

To avoid the possibility of fire, do not install the unit in an area where combustible gas may generate, flow, stagnate, or leak. Failure to do so will cause serious bodily injury or death.

Note:

Before beginning installation, read the safety summary at the beginning of this manual.

⚠ WARNING

⊘ Do not install the unit in a location where acidic solution and spray (sulfur) are often used as this may cause serious bodily injury or death. ⊘ Do not use the unit in environments where oil, steam, or sulfuric gas are present as this may cause serious bodily injury or death.

⚠ CAUTION

When deciding on a location to place the outdoor unit, be sure to choose an area where run-off from defrost will not accumulate and freeze on sidewalks or driveways which may create unsafe conditions.

Note:

Select a location for installing the outdoor unit that will meet the following general conditions:

- A location strong enough to bear the weight of the outdoor unit.
- A location that allows for optimum air flow and is easily accessible for inspection, maintenance, and service.
- Where piping between the outdoor unit, indoor unit(s), and BD units (Multi F MAX systems only) are within allowable limits.
- Include space for drainage to ensure condensate flows properly out of the unit when it is in heating mode. Avoid placing the outdoor unit in a low-lying area where water could accumulate.



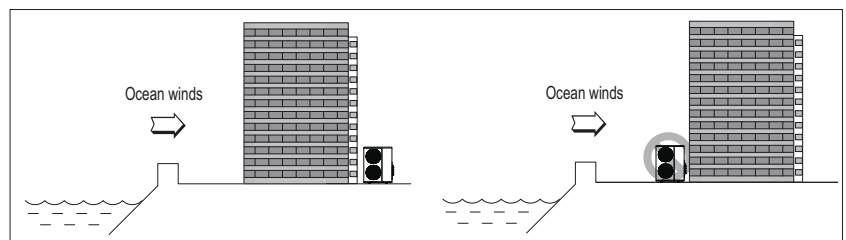
- Where it will not be subjected to direct thermal radiation from other heat sources, nor an area that would not expose the outdoor unit to heat or steam like discharge from boiler stacks, chimneys, steam relief ports, other air conditioning units, kitchen vents, plumbing vents, and other sources of extreme temperatures.
- Where high-frequency electrical noise / electromagnetic waves will not affect operation.
- Where operating sound from the unit will not disturb inhabitants of surrounding buildings.
- Where the unit will not be exposed to direct, strong winds.

Oceanside Installation Precautions

- Avoid installing the outdoor unit where it would be directly exposed to ocean winds.
- Install the outdoor unit on the side of the building opposite from direct ocean winds.
- Select a location with good drainage.
- Periodically clean dust or salt particles off of the heat exchanger with water.

Note:

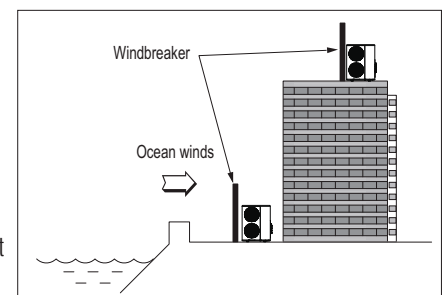
Ocean winds may cause corrosion, particularly on the condenser and evaporator fins, which, in turn could cause product malfunction or inefficient performance.



Note:

Additional anti-corrosion treatment may need to be applied to the outdoor unit at oceanside locations.

If the outdoor unit must be placed in a location where it would be subjected to direct ocean winds, install a concrete windbreaker strong enough to block any winds. Windbreaker height and width should be more than 150% of the outdoor unit, and be installed at least 27-1/2 inches away from the outdoor unit to allow for airflow.



Rooftop Installations

If the outdoor unit is installed on a roof structure, be sure to level the unit. Ensure the roof structure and anchoring method are adequate for the unit location. Consult local codes regarding rooftop mounting.

Planning for Snow and Ice

In climates that experience snow buildup, place the unit on a raised platform to ensure proper condenser airflow. The raised support platform must be high enough to allow the unit to remain above possible snow drifts. Mount the unit on a field-provided stand that is higher than the maximum anticipated snowfall for the location. Design the mounting base to prevent snow accumulation on the platform in front or back of the unit case. If necessary, provide a field fabricated hood to keep snow and ice and/or drifting snow from accumulating on the coil surfaces. Use inlet and discharge duct or hoods to prevent snow or rain from accumulating on the fan inlet and outlet guards. Best practice prevents snow from accumulating on top of the unit. Consider tie-down requirements in case of high winds or where required by local codes.

⚠ CAUTION

When deciding on a location to place the outdoor unit, be sure to choose an area where run-off from defrost will not accumulate and freeze on sidewalks or driveways which may create unsafe conditions.

Tie-Downs and Lightning Protection

Tie-Downs

- The strength of the roof must be checked before installing the outdoor units.
- If the installation site is prone to high winds or earthquakes, when installing on the wall or roof, securely anchor the mounting base using a field-provided tie-down configuration approved by a local professional engineer.
- The overall tie-down configuration must be approved by a local professional engineer. Always refer to local code when using a wind restraint system.

Lightning Protection

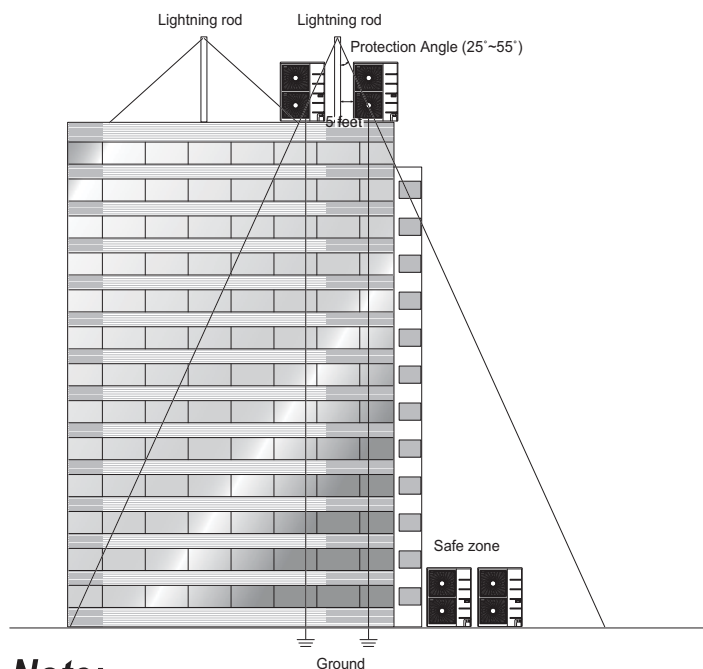
- To protect the outdoor unit from lightning, it should be placed within the specified lightning safety zone.

Table 6: Safety Zone Specifications.

| Building Height (feet) | 66 | 98 | 148 | 197 |
|------------------------|----|----|-----|-----|
| Protection Angle (°) | 55 | 45 | 35 | 25 |

- Power cable and communication cable should be installed five (5) feet away from lightning rod.
- A high-resistance ground system should be included to protect against induced lightning or indirect strike.

Figure 1: Lightning Protection Diagram.



Note:

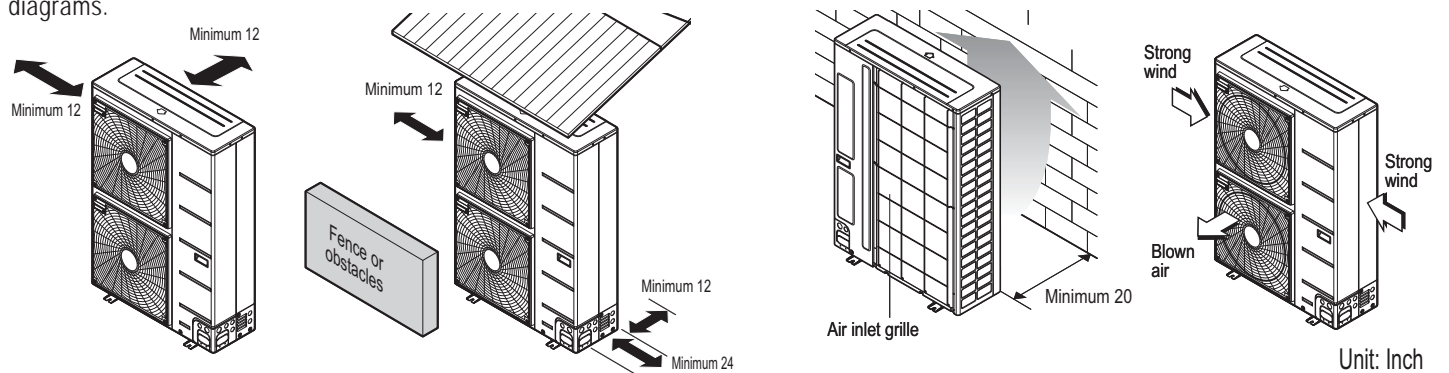
If the building does not include lightning protection, the outdoor unit may be damaged from a lightning strike. Inform the customer of this possibility in advance.

Outdoor Unit Service Access and Allowable Clearances

Appropriate airflow through the outdoor unit coil is critical for proper unit operation.

- Include enough space for airflow and for service access. If installing multiple outdoor units, avoid placing the units where the discharge of one unit will blow into the inlet side of an adjacent unit.
- No obstacles to air circulation around the unit; keep proper distances from ceilings, fences, floor, walls, etc. (Install a fence to prevent pests from damaging the unit or unauthorized individuals from accessing it.)
- If an awning is built over the unit to prevent direct sunlight or rain exposure, make sure that the discharge air of the outdoor unit isn't restricted.

When installing the outdoor unit, consider service, inlet, and outlet, and minimum allowable space requirements as illustrated in the following diagrams.



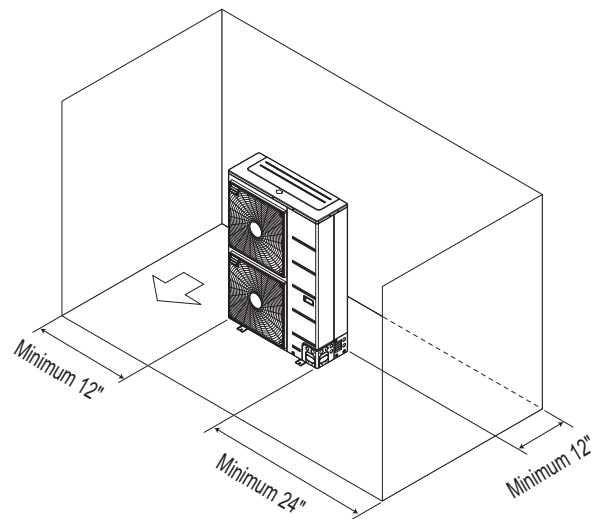
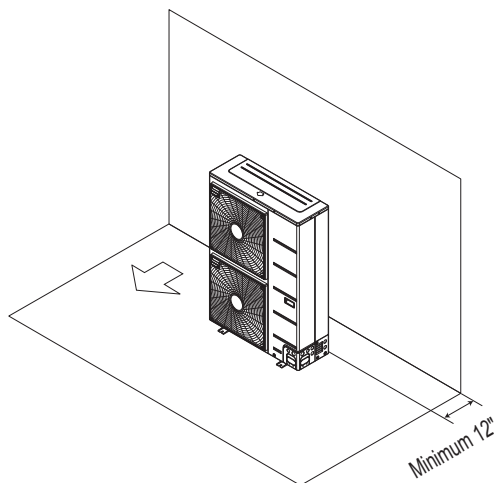
Ensure that the space at the back of the outdoor unit is a minimum of 11-13/16 inches, and include a minimum of 23-5/8 inches at the right side of the unit for service.

If the outdoor unit discharge side faces a wall, include a minimum of 19-11/16 inches between the outdoor unit and the wall. Install the outdoor unit so that the discharge port is set at a right angle to the wind direction.

Clearance Requirements when Different Obstacles are Present (Unit: Inch)

Obstacle on the suction side only.

Obstacles on the suction side and on both left and right sides.



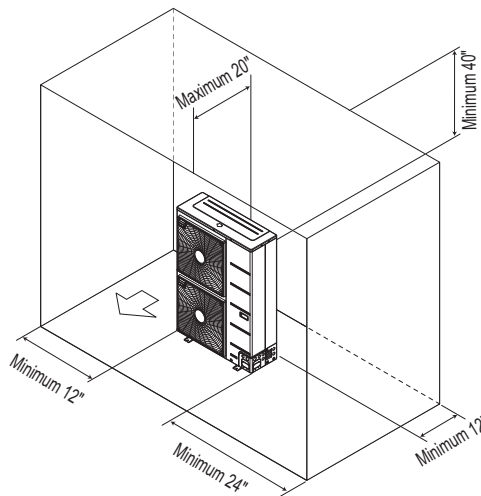
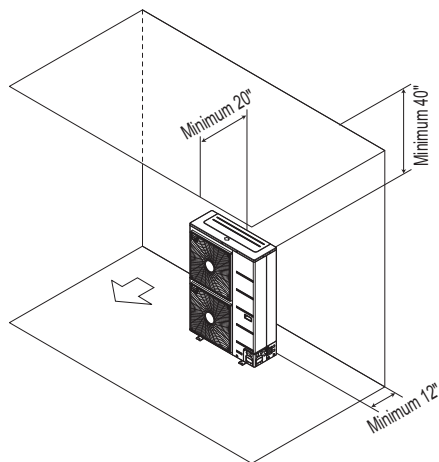
GENERAL INSTALLATION GUIDELINES

MULTI F
MULTI F MAX

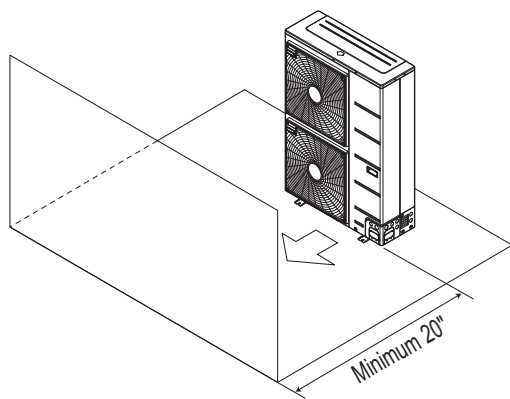
Allowable Clearances for Outdoor Unit

Clearance Requirements when Different Obstacles are Present, continued. (Unit: Inch)

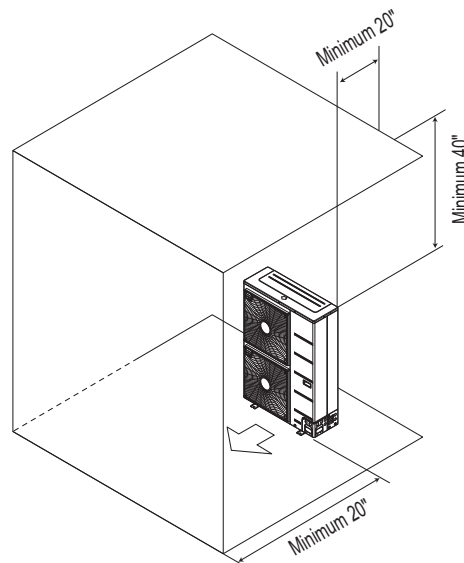
Obstacles above and on the air intake side. Obstacles above, on the air intake side, and on both left and right sides



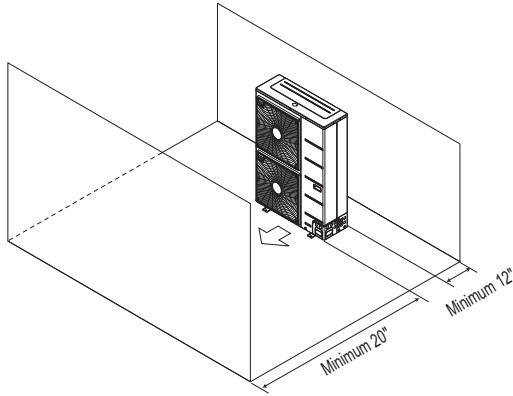
Obstacle just on the air discharge side.



Obstacles above and on the air discharge side.



Where there are obstacles on both suction and discharge sides (discharge side obstacle is higher than the outdoor unit).



Where there are obstacles above, and on both suction and discharge sides (discharge side obstacle is higher than the outdoor unit).

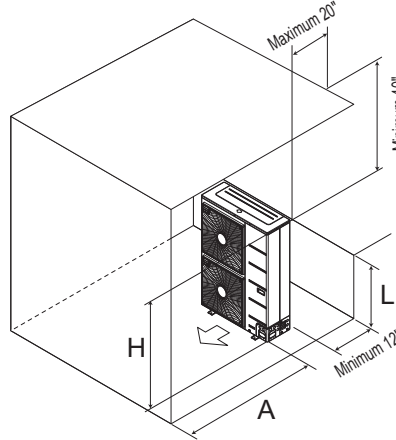
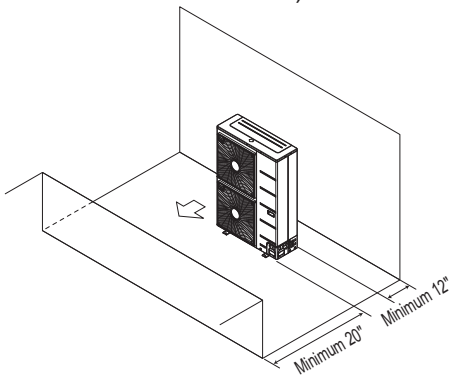


Table 7: Ratio among H, A, and L.

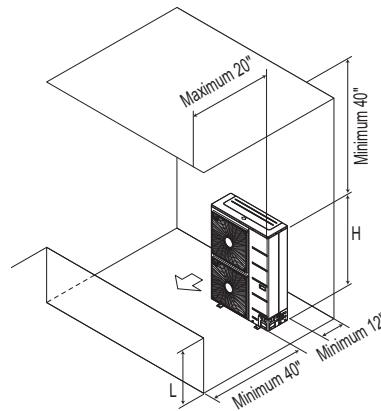
| | L | A |
|-------|---------------------|-----------|
| L ≤ H | 0 < L ≤ 1/2 H | 30 inches |
| | 1/2 H < L | 40 inches |
| H < L | Set Stand as: L ≤ H | |

If a stand is necessary, it should be contained (not open frame) to prevent the discharge air from short cycling.

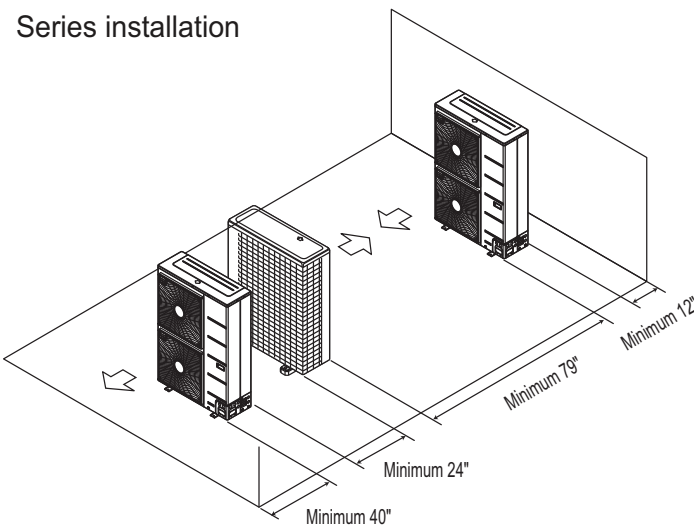
Where there are obstacles on both suction and discharge sides (discharge side obstacle is lower than the outdoor unit).



Where there are obstacles above, and on both suction and discharge sides (discharge side obstacle is lower than the outdoor unit).



Series installation



Note:

"L" should be lower than "H". If a stand is necessary, it should be contained (not open frame) to prevent the discharge air from short cycling.

GENERAL INSTALLATION GUIDELINES

Rigging Instructions / Platform Instructions for Outdoor Unit

MULTI F
MULTI F MAX

Rigging and Lifting Instructions

⚠ WARNING

Wear protective gloves when handling equipment. Sharp edges may cause personal injury.

Dispose the packing materials safely.

- Packing materials, such as nails and other metal or wooden parts, may cause puncture wounds or other injuries.
- Tear apart and throw away plastic packaging bags so that children may not play with them and risk suffocation and death.

⚠ CAUTION

Be very careful when transporting the product. There is a risk of the product falling and causing physical injury.

- Use appropriate moving equipment to transport each frame; ensure the equipment is capable of supporting the weights listed.
- Some products use polypropylene bands for packaging. Ⓢ Do not use polypropylene bands to lift the unit.
- Support the outdoor unit a minimum of four points to avoid slippage from rigging apparatus.

Note:

- Make sure the outdoor unit is in its original packaging to avoid damage during local transport.
- At the time of delivery, the package should be checked for any damage (exterior and interior). Report any damage to the carrier claims agent immediately.
- Handle the outdoor unit with care. Keep the outdoor unit upright to avoid damaging inside components.
- If a forklift is to transport the outdoor unit, the forklift arms should pass through the openings at the bottom.
- If a crane is to suspend the outdoor unit, it is recommended that two (2) ropes at least twenty-three (23) feet in length be used.
- Pass the ropes under the unit. Pass the rope through the two (2) forklift slots each at the front and rear of the outdoor unit.
- To prevent damage to the outdoor unit, always lift the unit with the ropes attached at four (4) points at an angle of $\leq 40^\circ$.
- Always include padding to protect the outdoor unit from rope damage, and take into consideration the outdoor unit's center of gravity.

Concrete Platform Specifications

- Concrete foundations should be made of one part cement, two parts sand, and four parts gravel.
- The surface of the foundation should be finished with mortar with rounded edges, and weather-proofed.

Anchoring the Outdoor Unit

- Tightly anchor the outdoor unit with a bolt and nut to a concrete or rigid platform.
- When installing on a wall (with field-supplied brackets), roof, or rooftop, securely anchor the mounting platform with nails, taking into consideration the possibility of strong winds or earthquakes.
- If there is a possibility of vibration from the outdoor unit transmitting to the building, add an anti-vibration material to the platform.

Figure 2: Example of Using an Insert for a Hole in a Reinforced Concrete Beam.

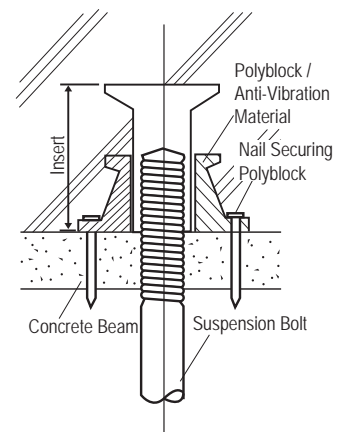
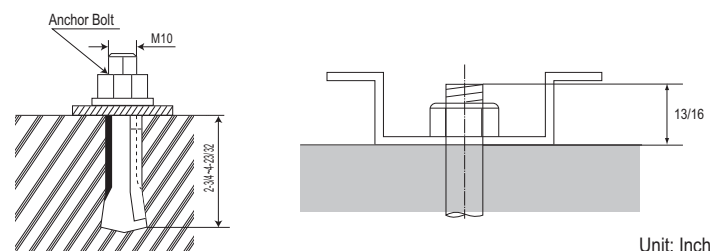


Figure 3: Close up of Bolt Attachment.



Outdoor Unit Platform Requirements

Outdoor Unit Foundation Requirements.

Figure 4: LMU18CHV and LMU24CHV Outdoor Units.

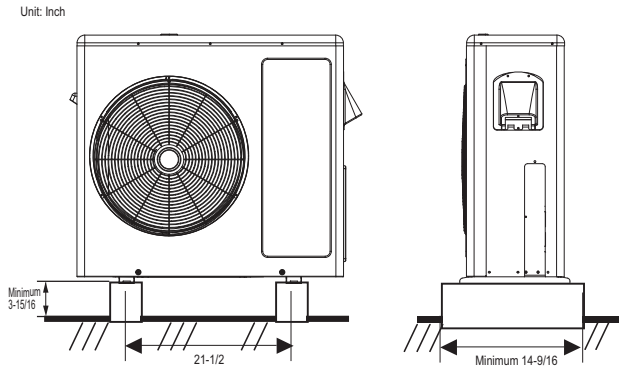


Figure 5: LMU30CHV and LMU36CHV Outdoor Units.

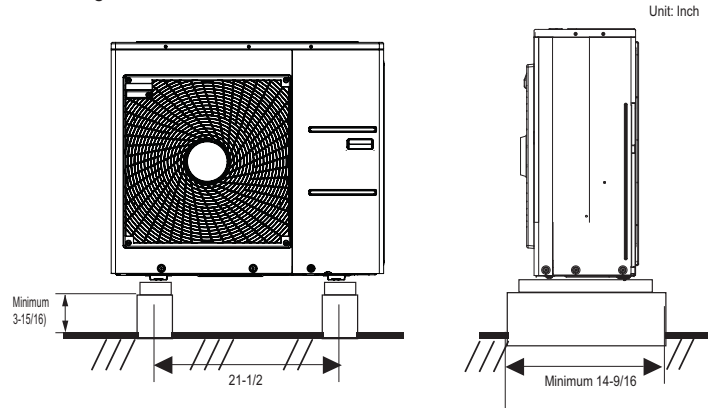


Figure 6: LMU480HV, LMU540HV, LMU600HV Outdoor Units.

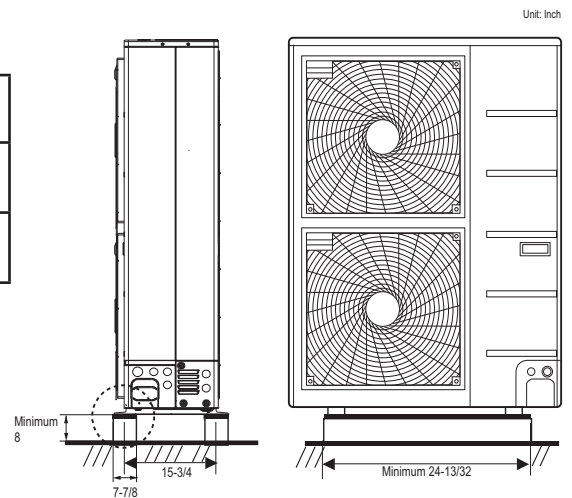


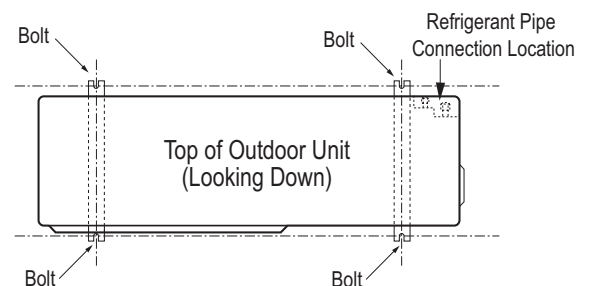
Table 8: Outdoor Unit Foundation Specifications.

| Outdoor Unit Type | Bolt Type | Concrete Height | Bolt Depth |
|--|-----------|------------------|------------------|
| LMU18CHV, LMU24CHV, LMU30CHV, LMU36CHV | M10-J | Minimum 4 inches | Minimum 3 inches |
| LMU480HV, LMU540HV, LMU600HV | M10-J | Minimum 8 inches | Minimum 3 inches |

Bolting the Outdoor Unit to the Platform

1. Ensure that the concrete platform will not degrade easily, and has enough strength to bear the weight of the unit.
2. Include an H-beam support. Firmly attach the corners, otherwise the support will bend.
3. Use a hexagon nut.
4. Use anti-vibration material.
5. Include enough space around the concrete foundation for condensate drainage.
6. Seal all wiring and piping access holes to prevent bugs from entering the unit.

Figure 7: Bolting the Outdoor Unit to the Platform (Piping Location May Differ Depending on Outdoor Unit Model).



Selecting the Best Location for the Branch Distribution (BD) Unit

Note:

Branch Distribution (BD) units are used only with Multi F MAX systems to distribute the refrigerant from the outdoor unit to up to eight indoor units. Select location indoors that will meet the following conditions:


- Within allowable parameters for proper connection to the Multi F MAX outdoor unit and indoor unit(s); refrigerant piping and wire lengths must not exceed amounts specified by LG Electronics, U.S.A., Inc.
 - Condensate drain piping is not required.
 - Ensure there is enough space in the installation area for service and inspection purposes (23-5/8 inch square opening).
 - Install the refrigerant piping and electrical wiring system in an easily accessible location.
 - Level where there is enough strength to bear the weight of the BD unit.
 - Interior installation is highly recommended.
 - Allowable operating temperature range: 0 ~ 150°F; Allowable maximum operating humidity range: 80%.
 - Unit can be installed no more than ± 5 degrees of level.
-
-  Do not install the BD unit in a location where it would be subjected to strong radiation heat from heat sources.
 - Avoid an installation environment where the BD unit would be exposed to heat, water, steam, oil splattering, spray or other factors that may damage the PCB.
 - Install the unit in a location where any sound it generates will not disturb occupants in the surrounding rooms.
 - No obstacles to air circulation around the unit; keep proper distances from ceilings, doorways, floor, walls, etc.
 - Where high-frequency electrical noise / electromagnetic waves will not affect operation. Maintain proper distances between the BD unit(s) and electric wires, audio and visual appliances, breaker / circuit panels, etc.

Figure 8: Branch Distribution Unit Key Components.

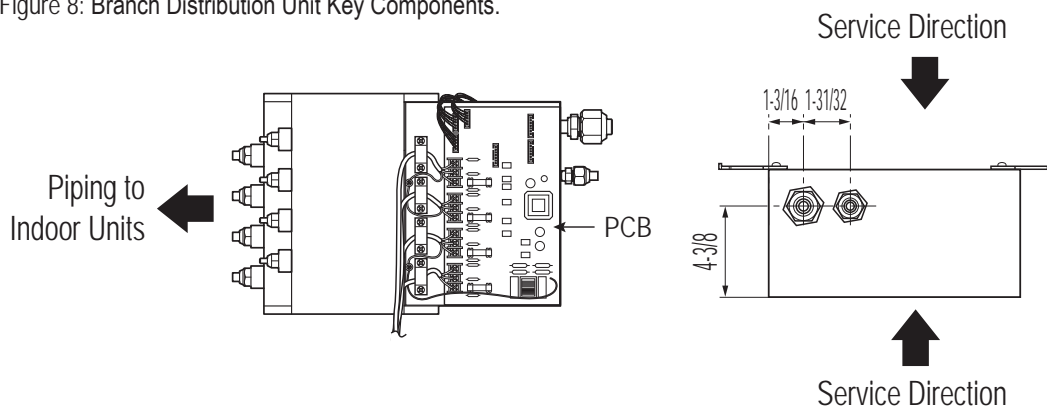
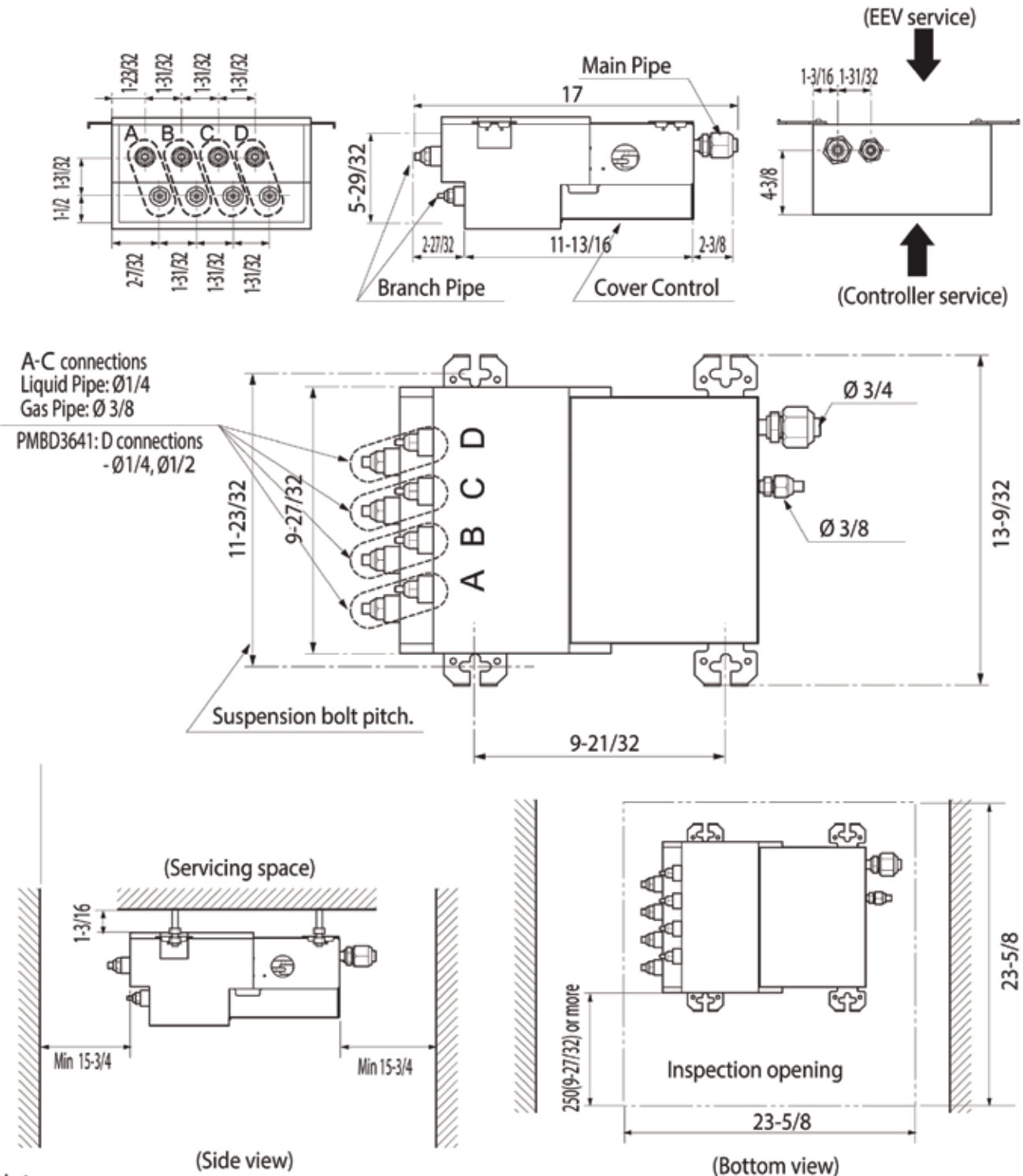


Figure 9: PMBD3620, PMBD3630, PMBD3640, and PMBD3641 External Dimensions.



Notes

1. For PMBD3620 unit, ports A and B are available.
2. For PMBD3630 unit, ports A, B and C are available.
3. For PMBD3640 and PMBD3641 units, ports A, B, C and D are available.

Unit : inch

Branch Distribution Unit Orientation

Multi F MAX Branch Distribution (BD) Units can be installed in a multitude of options to fit various building configurations and job or application requirements. The installation location of the PCB within the BD unit can be changed for easier service access, depending on the BD unit installation itself (see the wiring section for information). Multi F MAX BD Units include electronic expansion valves that properly seat only if the BD Unit is installed in an acceptable orientation. Installations with improper BD Unit orientation risk incomplete valve seating and system performance degradation from potential refrigerant leakage through the electronic expansion valve.

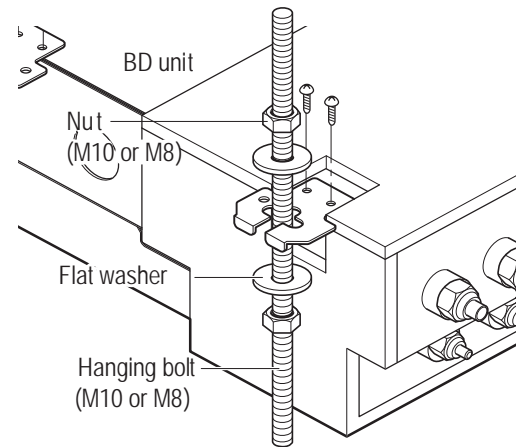
Note:

This material is for informational or educational purposes only. It is not intended to be a substitute for professional advice. Consult with your engineer or design professionals for specific applications to your system.

Ceiling Mount Installation - Hangers with Hanging Bolt

1. Drill four (4) holes in the ceiling, following the dimensions on the previous page.
2. Attach the factory-supplied hangers with two (2) screws each at the designated four (4) areas on the frame of the BD unit.
3. Install an anchor in the ceiling, and attach the hanging bolts to the ceiling.
4. Add nuts and washers to the hanging bolt as shown at right.
5. Hang the BD unit on the hanging bolts (ceiling side up), and after checking for level (± 5 degrees), securely tighten all nuts.

Figure 11: BD Ceiling Mount Installation.



Ceiling Mount Installation - Hangers Only

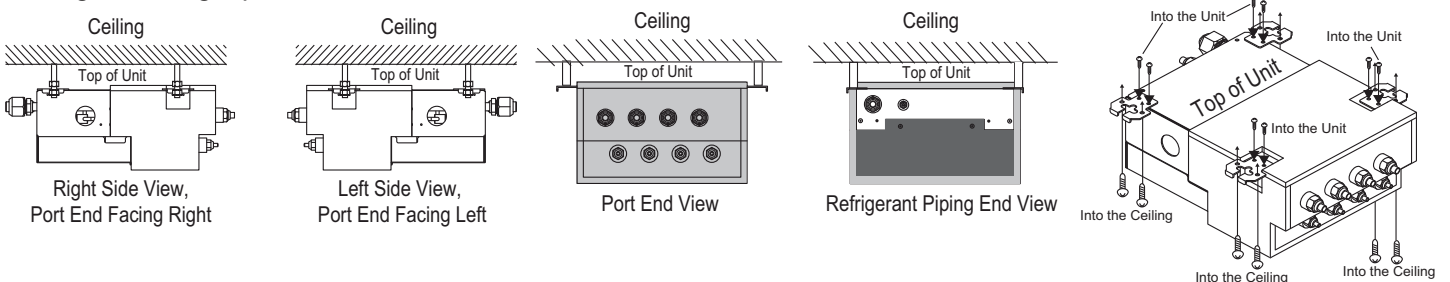
1. Attach the factory-supplied hangers with two (2) screws each at the designated four (4) areas on the frame of the BD unit.
2. Install the BD unit to the ceiling using two screws on each of the hangers as shown below. Unit should be ± 5 degrees of level.
3. Cover parts of the hanger holes with polyethylene foam insulation (to prevent condensation).

Note:

If a screw has been installed on the frame of the BD unit and the screw has been removed, to prevent condensation, either re-install the screw or cover the open hole with aluminum tape.

Figure 10: Acceptable BD Unit Ceiling Mount Orientations.

Ceiling Mounting Options



Wall Mount Installation - Hangers Only

1. Attach the factory-supplied hangers with two (2) screws each at the designated four (4) areas on the frame of the BD unit.
2. Install the BD unit to the wall using two screws on each of the hangers. Unit should be ± 5 degrees of level.
3. Cover parts of the hanger holes with polyethylene foam insulation (to prevent condensation).

Figure 12: Acceptable BD Unit Wall Mount Orientations.

Wall Mounting Options

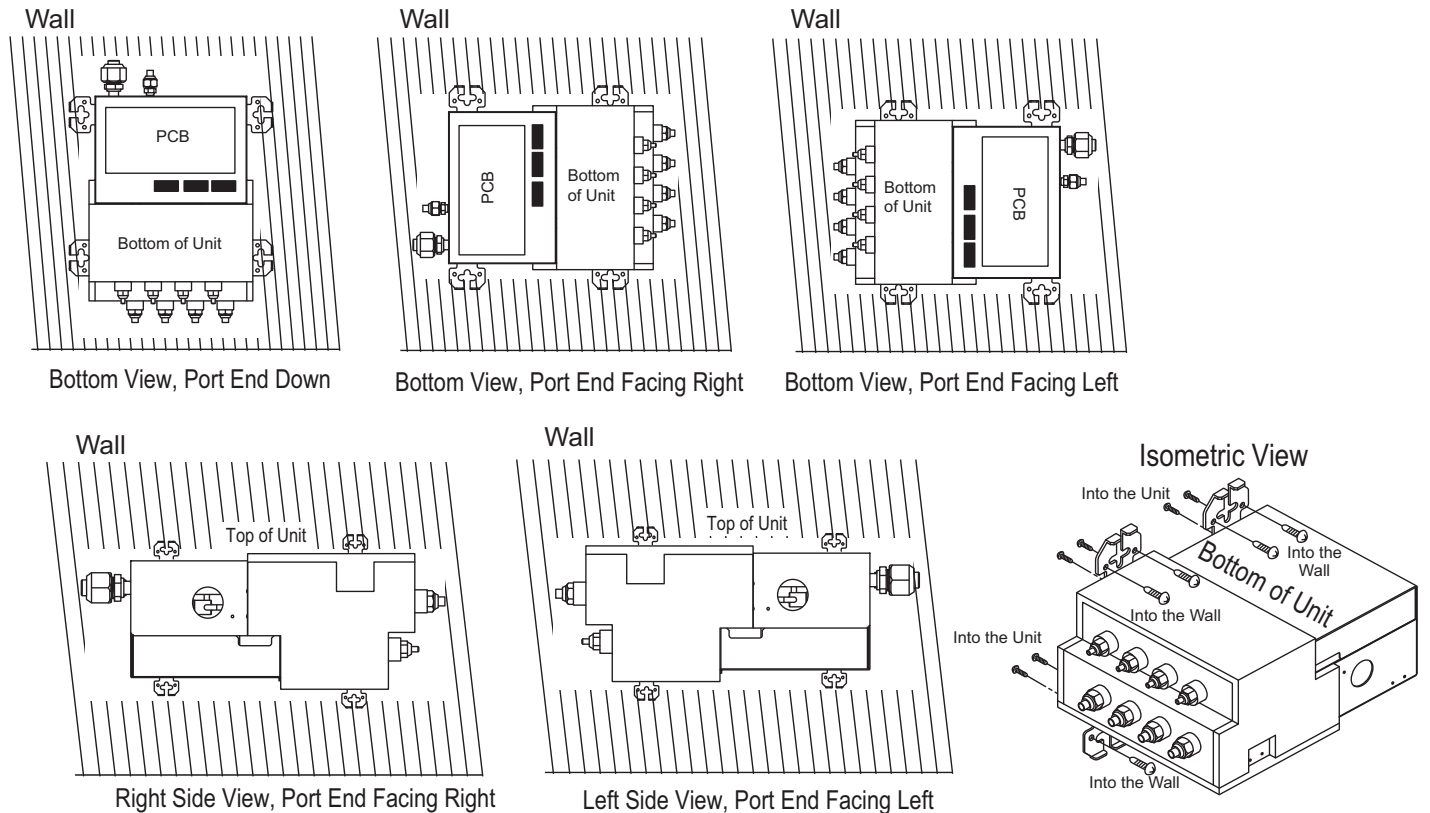
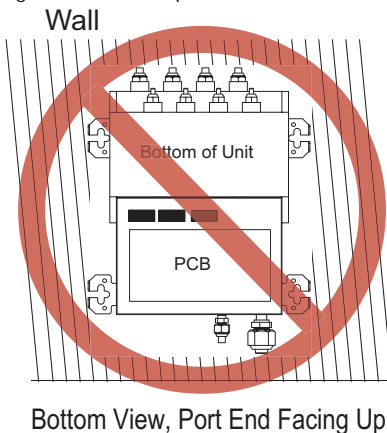


Figure 13: Unacceptable BD Unit Orientation.



GENERAL INSTALLATION GUIDELINES

MULTI F
MULTI F MAX

Piping Preparation

⚠ WARNING

- ⓧ Do not allow the refrigerant to leak during brazing; if the refrigerant combusts, it generates a toxic gas.
- ⓧ Do not braze in an enclosed location, and always test for gas leaks before / after brazing.
- There is risk of fire, explosion, and physical injury or death.

Outdoor Unit Pipe Connections

1. ⓧ Do not use kinked pipe caused by excessive bending in one specific area on its length.
2. Braze the pipes to the service valve pipe stub of the outdoor unit.
3. After brazing, check for refrigerant gas leaks.
4. When selecting flare fittings, always use a 45° fitting rated for use with high pressure refrigerant R410A. Selected fittings must also comply with local, state, or federal standards.

Creating a Flare Fitting

One of the main causes of refrigerant leaks is defective flared connections. Create flared connections using the procedure below.

1. Cut the pipe to length.
 - Measure the distance between the indoor unit and the outdoor unit.
 - Cut the pipes a little longer than measured distance.

2A. Remove the burrs

- Completely remove all burrs from pipe ends.
- When removing burrs, point the end of the copper pipe down to avoid introducing foreign materials in the pipe.

- 2B. Remove the flare nuts attached to the indoor and outdoor units. Slide the flare nut onto the copper tube.

3. Flaring the pipe end.

- Use the proper size flaring tool to finish flared connections as shown.
- ALWAYS create a 45° flare when working with R410A.
- Firmly hold copper tube in a bar with a dimension as indicated in the table below.

4. Carefully inspect the flared pipe end.

- Compare the geometry with the figures and dimensions as detailed.
- If the flare is defective, cut it off and re-do procedure.
- If flare looks good, blow clean the pipe with dry nitrogen.

Figure 14: Dimensions of the Flare.

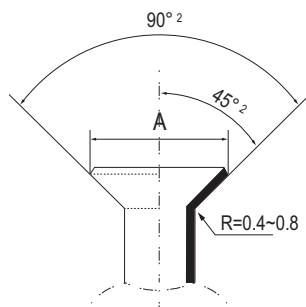
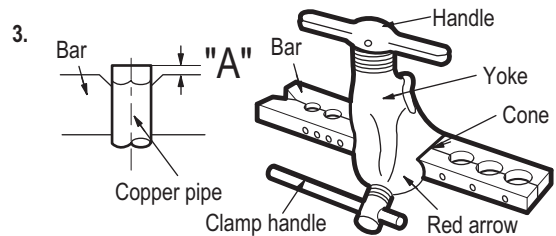
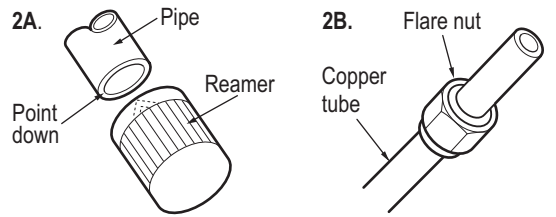
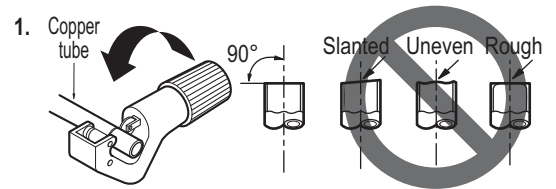


Table 9: Flared Connection Dimensions.

| Outside Diameter | A |
|------------------|-------------|
| Inch | Inch |
| Ø1/4 | 0.04 ~ 0.05 |
| Ø3/8 | 0.06 ~ 0.07 |
| Ø1/2 | 0.06 ~ 0.07 |
| Ø5/8 | 0.06 ~ 0.07 |
| Ø3/4 | 0.07 ~ 0.08 |



Tightening the Flare Connections

When connecting the flare nuts, coat the flare (outside only) with polyvinyl ether (PVE) refrigeration oil only.

Note:

⚠ Do not use polyolyster (POE) or any other type of mineral oil as a thread lubricant. These lubricants are not compatible with PVE oil used in this system and create oil sludge leading to equipment damage and system malfunction.

Table 10: Tightening Torque for Flare Nuts.

| Pipe size (Inches O.D.) | Tightening torque (ft-lbs) |
|-------------------------|----------------------------|
| 1/4Ø | 13 ~ 18 |
| 3/8Ø | 24.6 ~ 30.4 |
| 1/2Ø | 39.8 ~ 47.7 |
| 5/8Ø | 45.6 ~ 59.3 |
| 3/4Ø | 71.6 ~ 87.5 |

Align the center of the piping, and initially hand tighten the flare nuts using three (3) or four (4) turns. For Multi F Outdoor Units, install the flare nuts by:

1. Connecting the Gas Piping for Connections A through D first.
2. Connecting the Liquid Piping for Connections A through D last.

Then, to finish tighten the flare nut using the torque wrench and a backup wrench, following the direction arrows on the wrench and using the appropriate tightening torque, until the wrench clicks. After all the piping has been connected, check for refrigerant gas leaks.

Figure 15: Flare Connection.

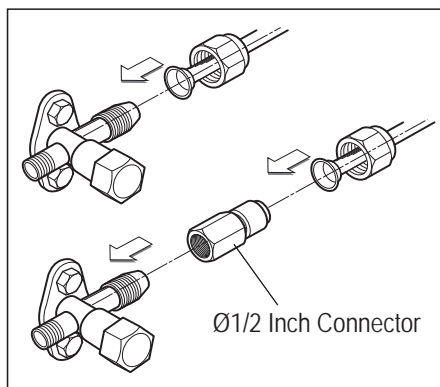


Figure 16: Example of Multi F Piping Connections.

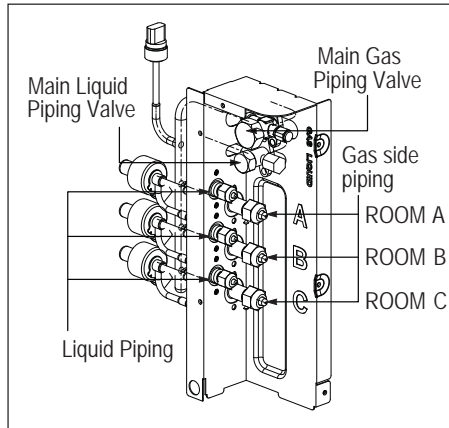
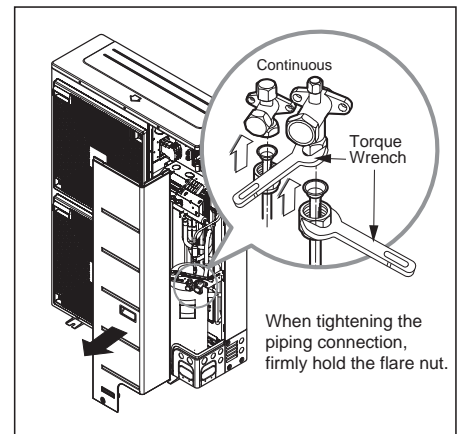


Figure 17: Multi F MAX Piping Connection.



For Multi F MAX outdoor units, piping can be installed in one of four directions: front, side, back, and down (A). If the downward installation is chosen, the knockout hole in the base pan must be accessed (B).

Whatever direction is chosen, plug the access holes with field-provided putty or insulation to fill all gaps (C).

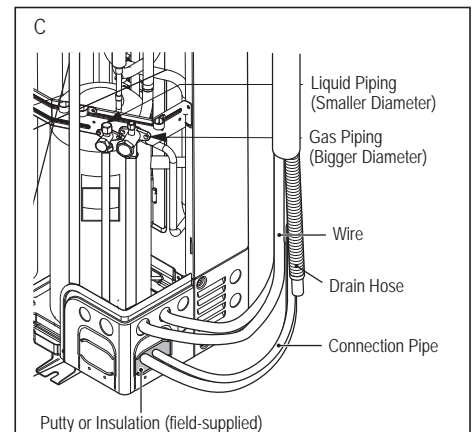
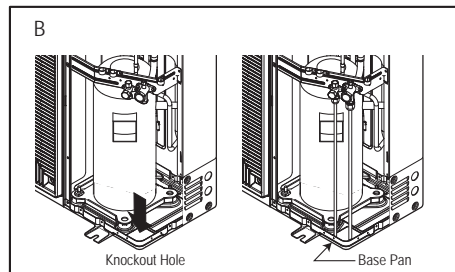
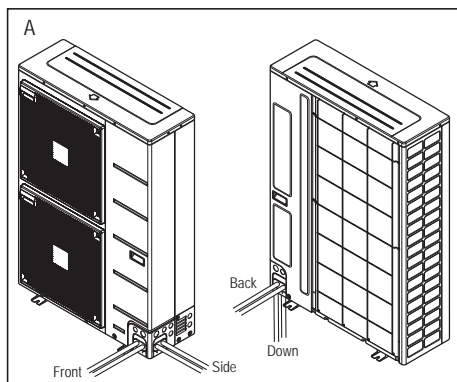
⚠ WARNING

Insects or small animals entering the outdoor unit may cause a short circuit in the electrical box, which may lead to fire, electric shock, physical injury, or death.

Note:

Insects or small animals entering the outdoor unit may cause a short circuit in the electrical box, which may lead to unit failure.

Figure 18: Multi F MAX Piping Installation.



GENERAL INSTALLATION GUIDELINES

MULTI F
MULTI F MAX

Piping Materials and Handling

Loosening the Flare Nuts

Always use two (2) wrenches to loosen the flare nuts.

Brazing Practices

Note:

Keep the piping system free of contaminants and debris such as copper burrs, slag, or carbon dust during installation. Contaminants can result in mechanical failure of the system.

All joints are brazed in the field. Multi F / Multi F MAX refrigeration system components contain very small capillary tubes, small orifices, electronic expansion valves, oil separators, and heat exchangers that can easily become blocked. Proper system operation depends on the installer using best practices and utmost care while assembling the piping system.

- While brazing, use a dry nitrogen purge operating at a minimum pressure of three (3) psig and maintain a steady flow.
- Blow clean all pipe sections with dry nitrogen prior to assembly.
- Use a tubing cutter. De-burr and clean all cuts before assembly.
- Store pipe stock in a dry place. Keep pipe capped and clean.
- Use adapters to assemble different sizes of pipe. Use a 15% silver phosphorous copper brazing alloy to avoid overheating and produce good flow.
- Protect isolation valves, electronic expansion valves, and other heat-sensitive control components from excessive heat with a wet rag or a heat barrier spray product.

- Do not use flux, soft solder, or anti-oxidant agents.
- Do not use a saw to cut pipe.

Piping Materials and Handling

Pipes used for the refrigerant piping system must include the specified thickness, and the interior must be clean.

- Do not bend or damage the pipes while handling and storing, and take care not to contaminate the interior with dust, moisture, etc. See Table 11 for care of piping.

Figure 20: Refrigerant Pipe Brazing.

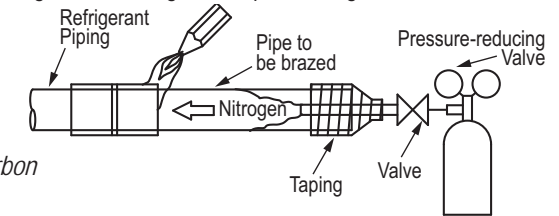


Figure 19: Keep Piping Capped While Storing

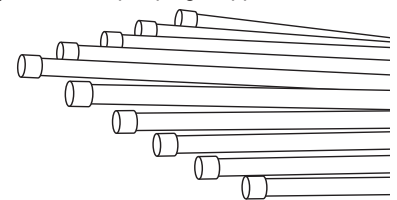


Table 11: Three Principles of Refrigerant Piping

| | Dry | Clean | Airtight |
|------------------------|---|---|--|
| Principles | No moisture should be inside the piping. | No dust should be inside the piping. | No leaks should occur. |
| | | | |
| Problems Caused | <ul style="list-style-type: none"> - Significant hydrolysis of refrigerant oil. - Refrigerant oil degradation. - Poor insulation of the compressor. - System does not operate properly. - EEVs, capillary tubes are clogged. | <ul style="list-style-type: none"> - Refrigerant oil degradation. - Poor insulation of the compressor. - System does not operate properly. - EEVs and capillary tubes become clogged. | <ul style="list-style-type: none"> - Refrigerant gas leaks / shortages. - Refrigerant oil degradation. - Poor insulation of the compressor. - System does not operate properly. |
| Solutions | <ul style="list-style-type: none"> - Remove moisture from the piping. - Piping ends should remain capped until connections are complete. - Do not install piping on a rainy day. - Connect piping properly at the unit's side. - Remove caps only after the piping is cut, the burrs are removed, and after passing the piping through the walls. - Evacuate system to a minimum of 500 microns and insure the vacuum holds at that level for 24 hours | <ul style="list-style-type: none"> - Remove dust from the piping. - Piping ends should remain capped until connections are complete. - Connect piping properly at the side of the unit. - Remove caps only after the piping is cut and burrs are removed. - Retain the cap on the piping when passing it through walls, etc. | <ul style="list-style-type: none"> - Test system for air tightness. - Perform brazing procedures that comply with all applicable standards. - Perform flaring procedures that comply with all applicable standards. - Perform flanging procedures that comply with all applicable standards. - Ensure that refrigerant lines are pressure tested to 550 psig. |

Selecting Field-Supplied Copper Tubing

Type ACR copper is the only approved refrigerant pipe material for use with LG Multi F air conditioning products. ACR rated tubing is the only type that ships with yellow caps. Approved tubing for use with Multi F products will be marked "R410 RATED" along the length of the tube.

- Drawn temper (rigid) ACR copper tubing is available in sizes 3/8 through 2-1/8 inches (ASTM B 280, clean, dry, and capped).
- Annealed temper (soft) ACR copper tubing is available in sizes 1/4 through 2-1/8 inches (ASTM B 280, clean, dry, and capped).

Note:

Tube wall thickness should meet local code requirements and be approved for an operating pressure of 551 psi. If local code does not specify wall thickness, LG suggests using tube thickness per table below. When bending tubing, try to keep the number of bends to a minimum, and use the largest radii possible to reduce the equivalent length of installed pipe; also, bending radii greater than ten (10) pipe diameters can minimize pressure drop. Be sure no traps or sags are present when rolling out soft copper tubing coils.

Table 14: ACR Copper Tubing Material

| | |
|------------------|---------------------------------|
| Type | Seamless Phosphorous Deoxidized |
| Class | UNS C12200 DHP |
| Straight Lengths | H58 Temper |
| Coils | O60 Temper |

Table 12: Piping Tube Thicknesses

| OD (in) | 1/4 | 3/8 | 1/2 | 5/8 | 3/4 | 7/8 | 1-1/8 | 1-3/8 | 1-5/8 |
|--------------------------|---|-------|------|----------------------------|------|------|-------|-------|-------|
| Material | Rigid Type "K" or "L" and Soft ACR Acceptable | | | Rigid Type "K" or "L" Only | | | | | |
| Min. Bend Radius (in) | .563 | .9375 | 1.5 | 3.0 | 3.0 | 3.0 | 3.5 | 4.0 | 4.5 |
| Min. Wall Thickness (in) | .031 | .031 | .031 | .039 | .042 | .045 | .050 | .050 | .050 |

Table 13: ACR Copper Tubing Dimensions and Physical Characteristics¹⁻⁴

| Nominal Pipe Outside Diameter (in) | Actual Outside Diameter (in) | Drawn Temper | | | Annealed Temper | | |
|------------------------------------|------------------------------|-----------------------------|----------------|------------------------|-----------------------------|----------------|------------------------|
| | | Nominal Wall Thickness (in) | Weight (lb/ft) | Cubic ft per Linear ft | Nominal Wall Thickness (in) | Weight (lb/ft) | Cubic ft per Linear ft |
| 1/4 | 0.250 | -- | -- | -- | 0.030 | 0.081 | .00020 |
| 3/8 | 0.375 | 0.030 | 0.126 | .00054 | 0.032 | 0.134 | .00053 |
| 1/2 | 0.500 | 0.035 | 0.198 | .00101 | 0.032 | 0.182 | .00103 |
| 5/8 | 0.625 | 0.040 | 0.285 | .00162 | 0.035 | 0.251 | .00168 |
| 3/4 | 0.750 | 0.042 | 0.362 | .00242 | 0.042 | 0.362 | .00242 |
| 7/8 | 0.875 | 0.045 | 0.455 | .00336 | 0.045 | 0.455 | .00336 |
| 1-1/8 | 1.125 | 0.050 | 0.655 | .00573 | 0.050 | 0.655 | .00573 |

¹All dimensions provided are in accordance with ASTM B280 – Standard.

²Design pressure = 551 psig.

³ACR Tubing is available as hard drawn or annealed (soft) and are suitable for use with R410A refrigerant.

⁴The Copper Tube Handbook, 2010, Copper Development Association Inc., 260 Madison Avenue, New York, NY 10016.

Note:

- Commercially available piping often contains dust and other materials. Always blow it clean with a dry inert gas.
- Prevent dust, water or other contaminants from entering the piping during installation. Contaminants can cause mechanical failure.

GENERAL INSTALLATION GUIDELINES


MULTI F
MULTI F MAX

Piping Materials and Handling

Multi F MAX Y-Branch Kit PMBL5620

The LG supplied Y-Branch Kit PMBL5620 **MUST** be used when two branch distribution units are connected on one Multi F MAX system. Field-supplied fittings are not permitted. Each Y-Branch kit comes with two (2) Y-branches (one for the liquid line and one for the vapor line) and insulation covers.

Y-branches may be installed in horizontal or vertical configurations. When installed vertically, position the Y-branch so the straight-through leg is $\pm 3^\circ$ of plumb. When installed horizontally, position the Y-branch so the take-off leg is level and shares the same horizontal plane as the straight-through leg $\pm 5^\circ$ rotation.

Y-branches must be properly installed following instructions in the applicable LG manual. Y-branches should always be installed with the single port facing the outdoor unit and the two-port end facing the branch distribution units.  Do not install Y-branches backwards as refrigerant flow cannot make U-turns. The Y-branch kit must be located at least three (3) feet from the outdoor unit. Provide a minimum of 20 inches between a Y-branch and the branch distribution unit.

It is recommended that when a Y-branch is located in a pipe chase or other concealed space, access doors should be provided for inspection access.

The equivalent pipe length of each Y-branch (1.6') must be added to the main pipe segment entered into LATS Multi F piping design software.

Note:

- Design pressure is 551 psig.
- All dimensions in inches. Tolerance $\pm 1/4$ inch.
- Images are not to scale.

Figure 24: Horizontal Configuration End View.

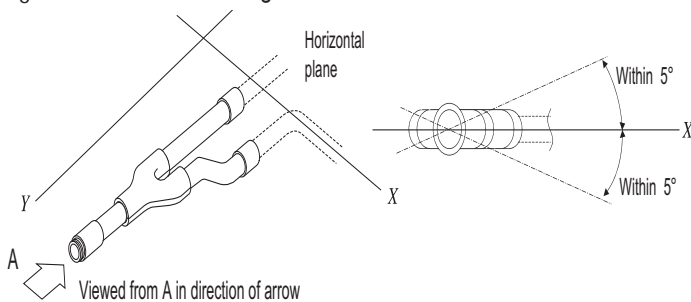


Figure 21: Y-Branch Connections.

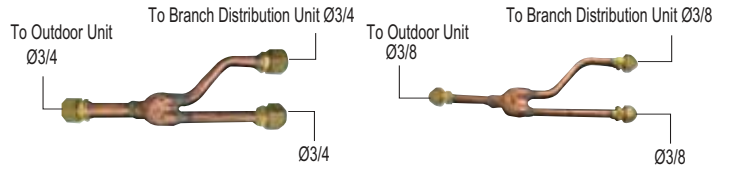


Table 15: Y-Branch Connection Diameters.

| Model | Y-Branch Type | Port Identifier (inch) | | | Dimensions | |
|----------|---------------|------------------------|-----|-----|------------|------|
| | | 1 | 2 | 3 | X | Y |
| PMBL5620 | Liquid | 3/8 | 3/8 | 3/8 | 13.80 | 3.24 |
| | Vapor | 3/4 | 3/4 | 3/4 | 12.48 | 3.02 |

Figure 22: Y-Branch Port Identifier Diagram.

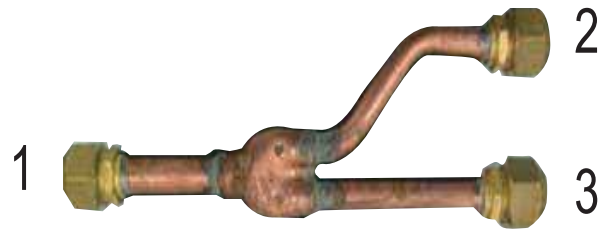


Figure 23: Y-Branch Dimensions Diagram.

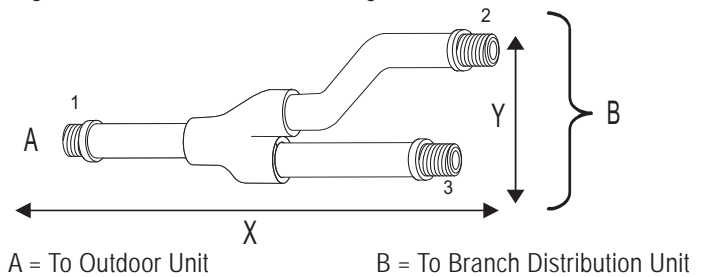
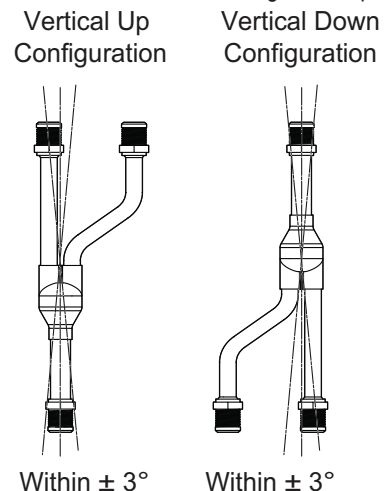


Figure 25: Y-branch Installation Alignment Specification.



Y-Branch Kit Insulation

Each Y-branch kit comes with clam-shell type peel-and-stick insulation jackets molded to fit the Y-branch fittings—one for the liquid line, one for the vapor line.

- Check the fit of the Y-branch clam-shell insulation jacket after the Y-branch is installed.
- Mark the pipe where the insulation jacket ends.
- Remove the jacket.
- Install field-provided insulation on the pipes first.
- Peel the adhesive glue protector slip and install the clam-shell jacket over the fitting

Figure 26: Y-branch Insulation Detail.

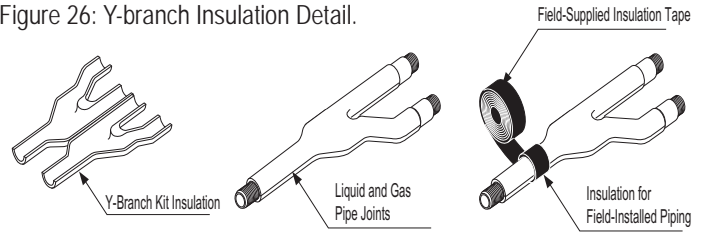


Table 16: Insulation Jacket Properties.

| | |
|---------------------------|----------------------------|
| Material | Polyolefin Foam |
| UL94 Flame Classification | HF-1 |
| Density | 1.84 lbs./ft. ³ |
| Thermal Conductivity | .0208 Btu/h/ft. °R |
| Thickness | 1/2 inch |

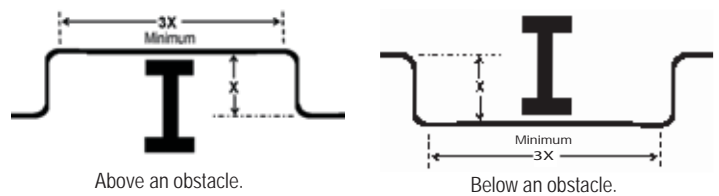
No Pipe Size Substitutions

Use only the pipe size selected by the LATS Multi F pipe system design software or as conveyed in the product installation instructions. Using a different size is prohibited and may result in a system malfunction or failure to work at all.

Obstacles

When an obstacle, such as an I-beam or concrete T, is in the path of the planned refrigerant pipe run, it is best practice to route the pipe over the obstacle. If adequate space is not available to route the insulated pipe over the obstacle, then route the pipe under the obstacle. In either case, it is imperative the horizontal section of pipe above or below the obstacle be a minimum of three (3) times greater than the longest vertical rise (or fall) distance.

Figure 27: Installing Piping Above and Below an Obstacle.



Copper Expansion and Contraction

Under normal operating conditions, the vapor pipe temperature of a Multi F system can vary as much as 180°F. With this large variance in pipe temperature, the designer must consider pipe expansion and contraction to avoid pipe and fitting fatigue failures.

Refrigerant pipe, along with the insulation jacket, form a cohesive unit that expands and contracts together. During system operation, thermal heat transfer occurs between the pipe and the surrounding insulation.

If the pipe is mounted in free air space, no natural restriction to movement is present if mounting clamps are properly spaced and installed. When the refrigerant pipe is mounted underground in a utility duct stacked among other pipes, natural restriction to linear movement is present. In extreme cases, the restrictive force of surface friction between insulating jackets could become so great that natural expansion ceases and the pipe is "fixed" in place. In this situation, opposing force caused by change in refrigerant fluid/vapor temperature can lead to pipe/fitting stress failure.

The refrigerant pipe support system must be engineered to allow free expansion to occur. When a segment of pipe is mounted between two fixed points, provisions must be provided to allow pipe expansion to naturally occur. The most common method is the inclusion of expansion Loop or U-bends mounted in the horizontal plane. When expansion loops are placed in a vertical riser, the loop is to be formed in a horizontal fashion resulting in a torsional movement during expansion and contraction. Each segment of pipe has a natural fixed point where no movement occurs. This fixed point is located at the center point of the segment assuming the entire pipe is insulated in a similar fashion. The natural fixed point of the pipe segment is typically where the expansion Loop or U-bend should be. Linear pipe expansion can be calculated using the following formula:

$$LE = C \times L \times (T_r - T_a) \times 12$$

| | | |
|----------------|---|--|
| LE | = | Anticipated linear tubing expansion (in.) |
| C | = | Constant (For copper = 9.2×10^{-6} in./in.°F) |
| L | = | Length of pipe (ft.) |
| T _R | = | Refrigerant pipe temperature (°F) |
| T _a | = | Ambient air temperature (°F) |
| 12 | = | Inches to feet conversion (12 in./ft.) |

1. From Table 17, find the row corresponding with the actual length of the straight pipe segment.
2. Estimate the minimum and maximum temperature of the pipe. Typical pipe temperature change range: High Pressure Vapor: ambient temperature to 215°F; Low Pressure Vapor: ambient to 35°F; Liquid pipe: ambient, 80°F, 110°F. Choose the two most extreme. In the column showing the minimum pipe temperature, look up the anticipated expansion distance. Do the same for the maximum pipe temperature.
3. Calculate the difference in the two expansion distance values. The result will be the anticipated change in pipe length.

Example:

A Multi F MAX system is installed and the design shows that there is a 100 foot straight segment of tubing between a Y-branch and a branch distribution unit. The system operates 24 hours per day. In heating, this pipe transports hot gas vapor to the indoor units at 120°F. In cooling, the same tube is a suction line returning refrigerant vapor to the outdoor unit at 40°F. Look up the copper tubing expansion at each temperature and calculate the difference.

Vapor Line

Transporting Hot Vapor: 100 ft. pipe at 120°F = 1.40 in.
 Transporting Suction Vapor: 100 ft. pipe at 40°F = 0.40 in.
 Anticipated Change in Length: 1.40 in. – 0.40 in. = 1.00 in.

Liquid Line

The liquid temperature remains the same temperature; only the direction of flow will reverse. Therefore, no significant change in length of the liquid line is anticipated.

When creating an expansion joint, the joint depth should be a minimum of two times the joint width. Although different types of expansion arrangements are available, the data for correctly sizing an expansion loop is provided in Table 18. Use soft copper with long radius bends on longer runs or long radius elbows for shorter pipe segments. Using the anticipated linear expansion (LE) distance calculated, look up the Expansion Loop or U-bend minimum design dimensions. If other types of expansion joints are chosen, design per ASTM B-88 Standards.

Table 17: Linear Thermal Expansion of Copper Tubing in Inches.

| Pipe Length ¹ | Fluid Temperature °F | | | | | | | | | | | | | | | | | | | |
|--------------------------|----------------------|------|------|------|------|------|------|------|------|------|------|------|------|------|------|------|------|------|------|------|
| | 35° | 40° | 45° | 50° | 55° | 60° | 65° | 70° | 75° | 80° | 85° | 90° | 95° | 100° | 105° | 110° | 115° | 120° | 125° | 130° |
| 10 | 0.04 | 0.04 | 0.05 | 0.06 | 0.06 | 0.07 | 0.08 | 0.08 | 0.09 | 0.09 | 0.10 | 0.10 | 0.11 | 0.11 | 0.11 | 0.12 | 0.13 | 0.14 | 0.15 | 0.15 |
| 20 | 0.08 | 0.08 | 0.10 | 0.12 | 0.13 | 0.14 | 0.15 | 0.16 | 0.17 | 0.18 | 0.19 | 0.20 | 0.21 | 0.22 | 0.22 | 0.23 | 0.26 | 0.28 | 0.29 | 0.30 |
| 30 | 0.12 | 0.12 | 0.15 | 0.18 | 0.20 | 0.21 | 0.23 | 0.24 | 0.26 | 0.27 | 0.29 | 0.30 | 0.32 | 0.33 | 0.32 | 0.35 | 0.39 | 0.42 | 0.44 | 0.45 |
| 40 | 0.16 | 0.16 | 0.20 | 0.24 | 0.26 | 0.28 | 0.30 | 0.32 | 0.34 | 0.36 | 0.38 | 0.40 | 0.42 | 0.44 | 0.43 | 0.46 | 0.52 | 0.56 | 0.58 | 0.60 |
| 50 | 0.20 | 0.20 | 0.25 | 0.30 | 0.33 | 0.35 | 0.38 | 0.40 | 0.43 | 0.45 | 0.48 | 0.50 | 0.53 | 0.55 | 0.54 | 0.58 | 0.65 | 0.70 | 0.73 | 0.75 |
| 60 | 0.24 | 0.24 | 0.30 | 0.36 | 0.39 | 0.42 | 0.45 | 0.48 | 0.51 | 0.54 | 0.57 | 0.60 | 0.63 | 0.66 | 0.65 | 0.69 | 0.78 | 0.84 | 0.87 | 0.90 |
| 70 | 0.28 | 0.28 | 0.35 | 0.42 | 0.46 | 0.49 | 0.53 | 0.56 | 0.60 | 0.63 | 0.67 | 0.70 | 0.74 | 0.77 | 0.76 | 0.81 | 0.91 | 0.98 | 1.02 | 1.05 |
| 80 | 0.32 | 0.32 | 0.40 | 0.48 | 0.52 | 0.56 | 0.60 | 0.64 | 0.68 | 0.72 | 0.76 | 0.80 | 0.84 | 0.88 | 0.86 | 0.92 | 1.04 | 1.12 | 1.16 | 1.20 |
| 90 | 0.36 | 0.36 | 0.45 | 0.54 | 0.59 | 0.63 | 0.68 | 0.72 | 0.77 | 0.81 | 0.86 | 0.90 | 0.95 | 0.99 | 0.97 | 1.04 | 1.17 | 1.26 | 1.31 | 1.35 |
| 100 | 0.40 | 0.40 | 0.50 | 0.60 | 0.65 | 0.70 | 0.75 | 0.80 | 0.85 | 0.90 | 0.95 | 1.00 | 1.05 | 1.10 | 1.08 | 1.15 | 1.30 | 1.40 | 1.45 | 1.50 |
| 120 | 0.48 | 0.48 | 0.60 | 0.72 | 0.78 | 0.84 | 0.90 | 0.96 | 1.02 | 1.08 | 1.14 | 1.20 | 1.26 | 1.32 | 1.30 | 1.38 | 1.56 | 1.68 | 1.74 | 1.80 |
| 140 | 0.56 | 0.56 | 0.70 | 0.84 | 0.91 | 0.98 | 1.05 | 1.12 | 1.19 | 1.26 | 1.33 | 1.40 | 1.47 | 1.54 | 1.51 | 1.61 | 1.82 | 1.96 | 2.03 | 2.10 |
| 160 | 0.64 | 0.64 | 0.80 | 0.96 | 1.04 | 1.12 | 1.20 | 1.28 | 1.36 | 1.44 | 1.52 | 1.60 | 1.68 | 1.76 | 1.73 | 1.84 | 2.08 | 2.24 | 2.32 | 2.40 |
| 180 | 0.72 | 0.72 | 0.90 | 1.08 | 1.17 | 1.26 | 1.35 | 1.44 | 1.53 | 1.62 | 1.71 | 1.80 | 1.89 | 1.98 | 1.94 | 2.07 | 2.34 | 2.52 | 2.61 | 2.70 |

¹Pipe length baseline temperature = 0°F. "Expansion of Carbon, Copper and Stainless Steel Pipe," *The Engineers' Toolbox*, www.engineeringtoolbox.com.

Figure 28: Coiled Expansion Loops and Offsets (Plan View shown).

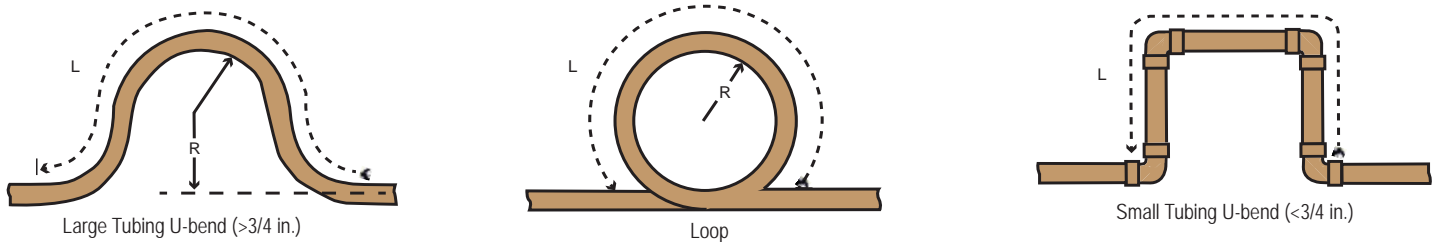


Table 18: Radii of Coiled Expansion Loops and Developed Lengths of Expansion Offsets.

| Anticipated Linear Expansion (LE) (inches) | | Nominal Tube Size (OD) inches | | | |
|--|----------------|-------------------------------|-----|-----|-----|
| | | 1/4 | 3/8 | 1/2 | 3/4 |
| 1/2 | R ¹ | 6 | 7 | 8 | 9 |
| | L ² | 38 | 44 | 50 | 59 |
| 1 | R ¹ | 9 | 10 | 11 | 13 |
| | L ² | 54 | 63 | 70 | 83 |
| 1-1/2 | R ¹ | 11 | 12 | 14 | 16 |
| | L ² | 66 | 77 | 86 | 101 |
| 2 | R ¹ | 12 | 14 | 16 | 19 |
| | L ² | 77 | 89 | 99 | 117 |
| 2-1/2 | R ¹ | 14 | 16 | 18 | 21 |
| | L ² | 86 | 99 | 111 | 131 |
| 3 | R ¹ | 15 | 17 | 19 | 23 |
| | L ² | 94 | 109 | 122 | 143 |
| 3-1/2 | R ¹ | 16 | 19 | 21 | 25 |
| | L ² | 102 | 117 | 131 | 155 |
| 4 | R ¹ | 17 | 20 | 22 | 26 |
| | L ² | 109 | 126 | 140 | 166 |

¹R = Centerline Length of Pipe.

²L = Centerline Minimum Radius (inches).

Note:

All expansion Loops and Offsets should be installed in the horizontal plane to prevent the possibility of trapping oil. Loops and Offsets in vertical risers should also be installed in a horizontal plane.



Note:

LG Electronics U.S.A., Inc., is not responsible for any piping calculations, refrigerant leaks, degradation of performance, or any other potential problems or damages as a result of interconnecting piping, their joint connections, isolation valves, introduced debris inside the piping system, or other problems caused by the interconnecting piping system.

Pipe Bends

When bending soft copper, use long radius bends. Refer to the "Radii of Coiled Expansion Loops and Developed Lengths of Expansion Offsets" table for minimum radius specifications, page 18.

In-line Refrigeration Components

Components such as oil traps, solenoid valves, filter-dryers, sight glasses, tee fittings, and other after-market accessories are not permitted on the refrigerant piping system between the outdoor units and the indoor / branch distribution units. Multi F and Multi F MAX systems are provided with redundant systems that assure oil is properly returned to the compressor. Sight-glasses and solenoid valves may cause vapor to form in the liquid stream. Over time, dryers may deteriorate and introduce debris into the system. The designer and installer should verify the refrigerant piping system is free of traps, sagging pipes, sight glasses, filter dryers, etc.

Field-Provided Isolation Ball Valves

LG maintains a neutral position on using isolation valves in VRF refrigerant piping systems. LG does not endorse any manufacturer of isolation valves. It is recognized that installing isolation valves may simplify future maintenance requirements, and, if used, considerations should be taken including, but not limited to, the following:

- Pressure drops for any component used, including isolation valves, must be known in equivalent pipe length and calculated into the total and segment equivalent piping lengths and compared to product design limitations.
- In all cases, materials must be suitable for the application and any applicable codes, including, but not limited to, diameter and wall thickness continuity per ACR standards.

Failure to do so may cause significant performance degradation. Proper leak checks must be performed. Using isolation valves does not automatically void any LG product warranty; however, a limited warranty may be voided in whole or part should any field supplied accessory fail in any way that causes product failure.

Using Elbows

Field supplied elbows are allowed as long as they are designed for use with R410A refrigerant. The designer and installer, however, should be cautious with the quantity and size of fittings used, and must account for the additional pressure losses in equivalent pipe length calculation for each branch. The equivalent pipe length of each elbow must be added to each pipe segment in the LATS program. See page 35 for equivalent lengths.

Pipe Slope

The horizontal pipe slope cannot exceed 10° up or down.

Inserts and Pipe Supports

Inserts

An insert can be installed into a floor or beam before the concrete sets so that fittings such as ducts, pipes, or suspension bolts can be added at a later time. Decide where the inserts should be placed before support installation.

Pipe Supports

Note:

A properly installed pipe system should be adequately supported to avoid pipe sagging. Sagging pipes become oil traps that lead to equipment malfunction.

⊘ Pipe supports should never touch the pipe wall; supports shall be installed outside (around) the primary pipe insulation jacket.

Insulate the pipe first because pipe supports shall be installed outside (around) the primary pipe insulation jacket. Clevis hangers should be used with shields between the hangers and insulation.

Field provided pipe supports should be designed to meet local codes. If allowed by code, use fiber straps or split-ring hangers suspended from the ceiling on all-thread rods (fiber straps or split ring hangers can be used as long as they do not compress the pipe insulation). Place a second layer of insulation over the pipe insulation jacket to prevent chafing and compression of the primary insulation within the confines of the support pipe clamp.

A properly installed pipe system will have sufficient supports to avoid pipes from sagging during the life of the system. As necessary, place supports closer for segments where potential sagging could occur. Maximum spacing of pipe supports shall meet local codes. If local codes do not specify pipe support spacing, pipe shall be supported a maximum of five (5) feet on center for straight segments of pipe up to 3/4" outside diameter size.

Wherever the pipe changes direction, place a hanger within twelve (12) inches on one side and within twelve to nineteen (12 to 19) inches of the bend on the other side. Support piping at indoor units as shown. Support Y-Branch fittings as shown.

Figure 29: Installing an Insert Into a Concrete Beam.

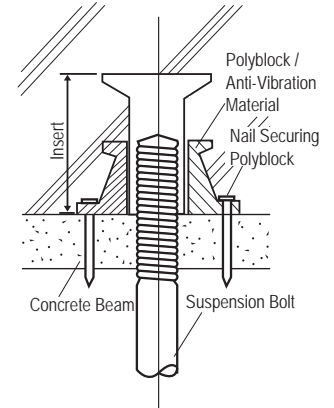


Figure 30: Pipe Hanger Details.

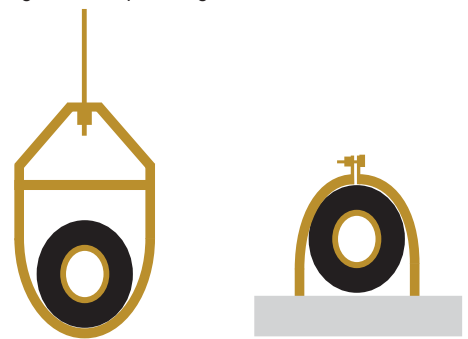


Figure 31: Typical Pipe Support Location—Change in Pipe Direction.

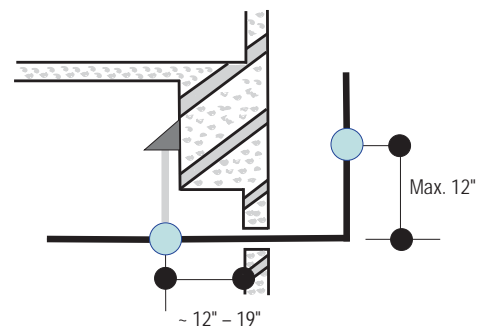


Figure 32: Pipe Support at Indoor Unit.

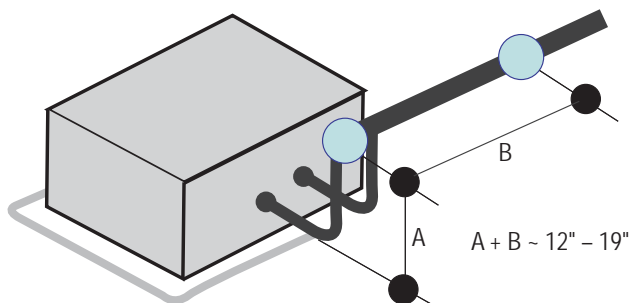
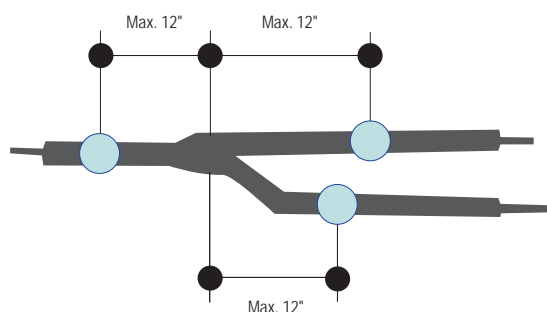


Figure 33: Pipe Support at Y-branch Fitting.



GENERAL INSTALLATION GUIDELINES

Piping Materials and Handling

MULTI F
MULTI F MAX

Examples of Supports

Figure 34: U-Bolt Support with Insulation.

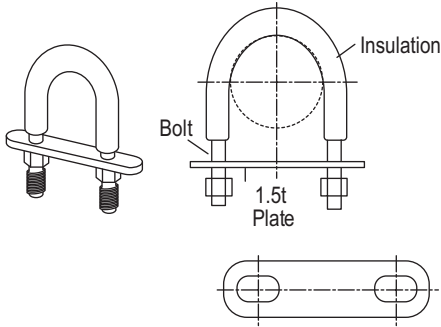


Figure 35: O-Ring Support with Insulation.

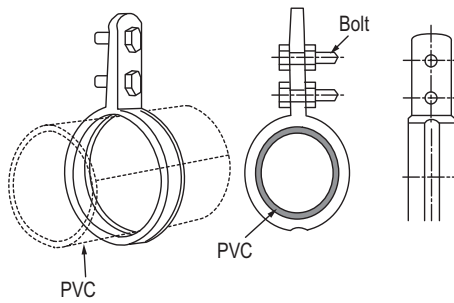
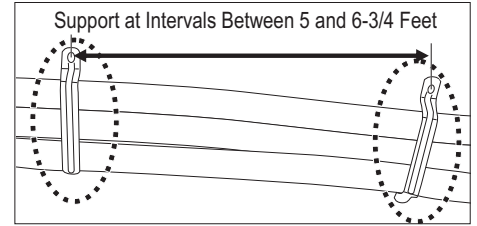


Figure 36: Saddle-Type Support.



Do not compress the insulation with the saddle-type support. If the insulation is compressed, it may tear open and allow condensation to generate during product operation.

Figure 37: U-Bolt Support with an Insulated Pipe.

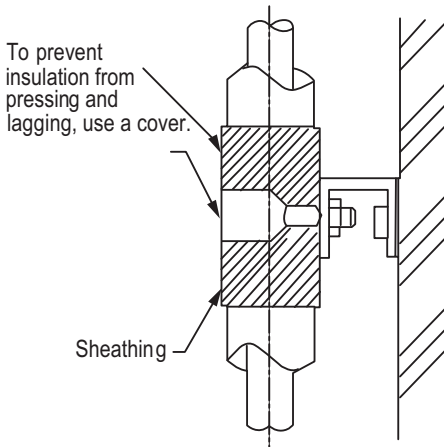


Figure 38: O-Ring Band Support with an Insulated Pipe.

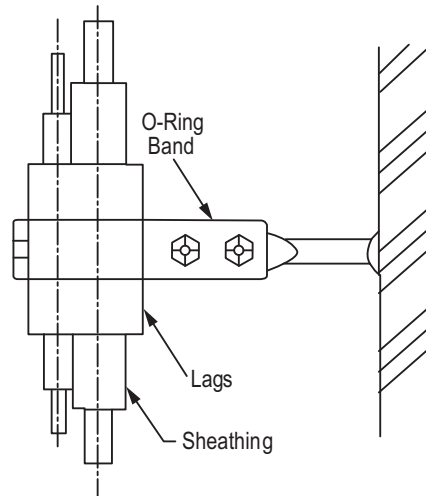


Figure 39: One-Point Down-Stop Support (>441 lbs.).

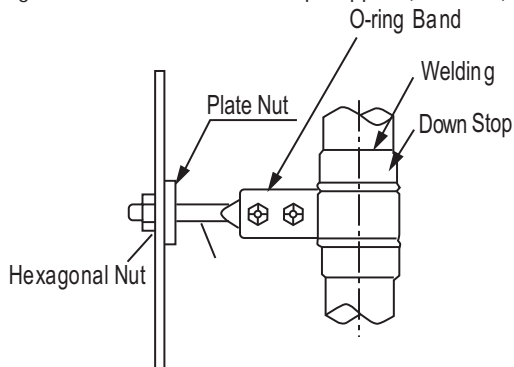
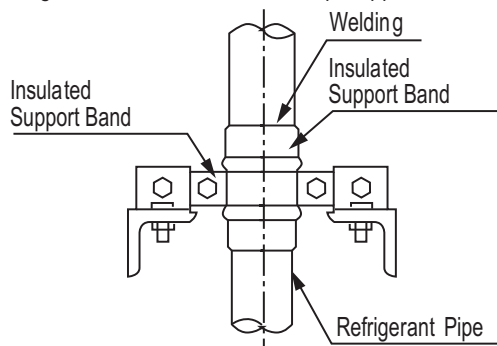


Figure 40: Two-Point Down-Stop Support.



The following are examples of manual pipe size calculations. Designers are highly encouraged to use LATS for Multi F systems.

Device Connection Limitations

- The minimum number of connected and operating indoor units to Multi F / Multi F MAX systems is two, taking into consideration the minimum combination ratio.
- The maximum number of indoor units for each Multi F / Multi F MAX heat pump systems is:
 LMU18CHV = 2 LMU24CHV = 3 LMU30CHV = 4 LMU36CHV = 4 LMU480HV = 8 LMU540HV = 8 LMU600HV = 8

Note:

For allocated capacity information, see the combination tables in the "Multi F / Multi F MAX Combination Data Manual" on www.lg-dfs.com. For performance data, see "Multi F / Multi F MAX Performance Data Manual" on www.lg-dfs.com.

Piping Length and Elevation Limitations

One of the most critical elements of Multi F and Multi F MAX systems is the refrigerant piping. The tables on the next few pages list pipe length limits that must be followed in the design of Multi F and Multi F MAX refrigerant pipe systems.

Using Refrigerant Components

Field-supplied elbows are allowed as long as they are designed for use with R410A refrigerant. The designer, however, should be cautious with the quantity and size of fittings used, and must account for the additional pressure losses in equivalent pipe length calculation for each branch. The equivalent pipe length of each elbow must be added to each pipe segment.

Table 20: Equivalent Piping Length for Elbows, Y-branches, and Branch Distribution Units.

| Component | Size (Inches) | | | | |
|---|---------------|-----|-----|-----|-----|
| | 1/4 | 3/8 | 1/2 | 5/8 | 3/4 |
| Elbow (ft.) | 0.5 | 0.6 | 0.7 | 0.8 | 1.2 |
| Y-Branch Kit (ft., Multi F MAX systems only) ¹ | 1.6 | | | | |
| Branch Distribution Unit (ft., Multi F MAX systems only) | 8.2 | | | | |

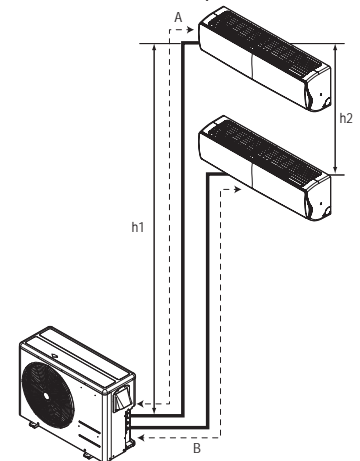
¹Kit contains two Y-branches: one for liquid and one for vapor.

Multi F Outdoor Unit Piping Length and Elevation Limitations

Table 19: Multi F Refrigerant Piping System Limitations.

| Outdoor Unit Model (Btu/h) | LMU18CHV / 18,000 | LMU24CHV / 24,000 | LMU30CHV / 30,000 | LMU36CHV / 36,000 |
|---|-------------------|-------------------|-------------------|-------------------|
| Max. Total System Piping Length (ft.) | 164 A+B | 246.1 A+B+C | 246.1 A+B+C+D | 246.1 A+B+C+D |
| Min. Length for One Branch (ft.) | 9.8 | 9.8 | 9.8 | 9.8 |
| Max. Length for One Branch (ft.) | 82 | 82 | 82 | 82 |
| Max. Elevation Between Each Indoor Unit and Outdoor Unit (h1) | 49.2 | 49.2 | 49.2 | 49.2 |
| Max. Elevation Between Indoor Units (h2) | 24.6 | 24.6 | 24.6 | 24.6 |
| Max. Combination of Indoor Units | 24,000 | 33,000 | 40,000 | 48,000 |

Figure 41: Multi F Refrigerant Piping System Limitations (LMU18CHV Example).



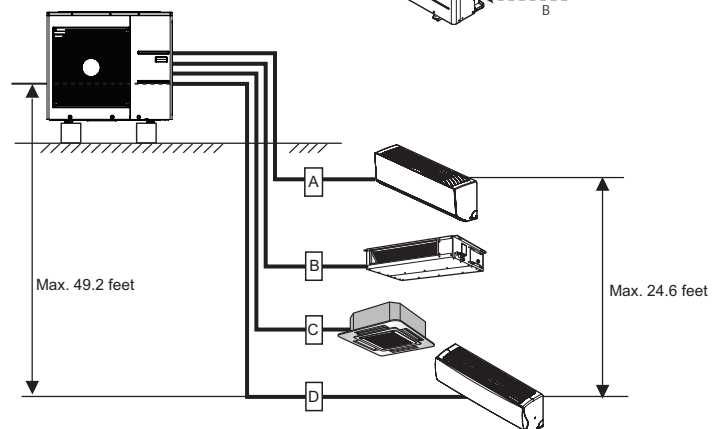
Multi F System Example

Example: LMU36CHV outdoor unit with four (4) indoor units connected.

ODU: Outdoor Unit.

IDU: Indoor Unit.

A, B, C, D: Pipes from Outdoor Unit to Indoor Unit.



The following are examples of manual pipe size calculations. Designers are highly encouraged to use LATS for Multi F systems.

Multi F MAX Outdoor Unit Piping Length and Elevation Limitations

Table 22: Multi F MAX Refrigerant Piping System Limitations.

| | | | |
|---|--|-------------------|-------------------|
| Pipe Length (ELF = Equivalent Length of pipe in Feet) | Total piping length ($\Sigma A + \Sigma B$) | | ≤ 475.7 feet |
| | Main pipe (Outdoor Unit to Branch Distribution Units: ΣA) | Minimum | 9.8 feet |
| | | Maximum | ≤ 180.4 feet |
| | Total branch piping length (ΣB) | | ≤ 295.3 feet |
| | Branch pipe (Branch Distribution Units to Indoor Units: B) | Minimum | 10 feet |
| Maximum | | ≤ 49.2 feet | |
| Elevation Differential (All Elevation Limitations are Measured in Actual Feet) | If outdoor unit is above or below indoor unit (h_1) | | ≤ 98.4 feet |
| | Between the farthest two indoor units (h_2) | | ≤ 49.2 feet |
| | Between branch distribution unit and farthest connected indoor unit(s) (h_3) | | ≤ 32.8 feet |
| | Between branch distribution units (h_4) | | ≤ 49.2 feet |
| Max. Combination of IDUs | LMU480HV = 65,000 | LMU540HV = 73,000 | LMU600HV = 81,000 |

Figure 42: Multi F MAX Refrigerant Piping System Limitations.

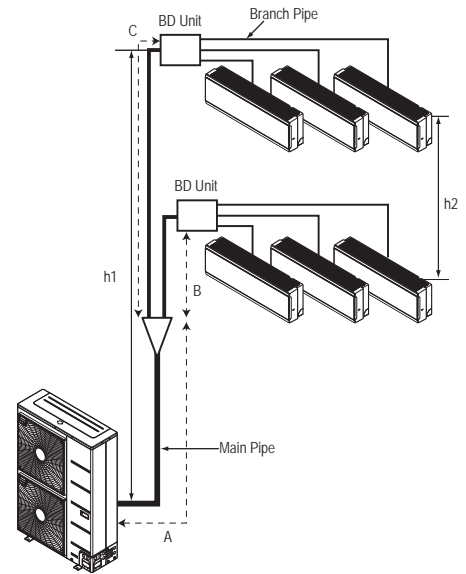


Table 23: Multi F MAX Piping Sizes.

| Piping | Main Pipe A (inch) | Branch Pipe B |
|--------|--------------------|---|
| Liquid | $\text{Ø}3/8$ | Depends on the size of the indoor unit piping |
| Gas | $\text{Ø}3/4$ | |

Multi F MAX System Example with One Branch Distribution Unit

Example: LMU540HV outdoor unit with four (4) indoor units, and one (1) branch distribution unit connected.

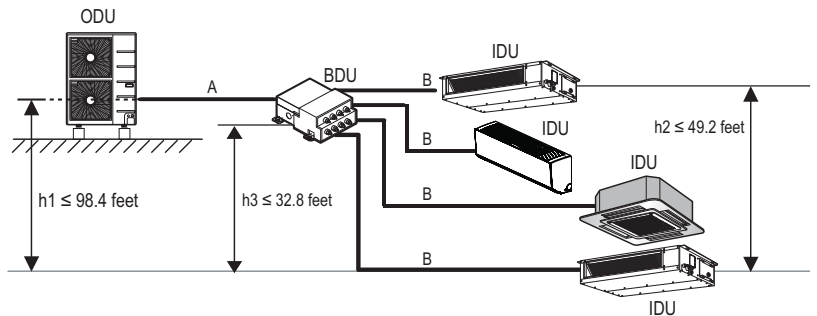
ODU: Outdoor Unit.

IDU: Indoor Unit.

BDU: Branch Distribution Unit.

A: Main Pipe.

B: Branch Pipe (Branch Distribution Unit to Indoor Unit[s]).



Multi F MAX System Example with Two Branch Distribution Units

Example: LMU540HV outdoor unit with seven (7) indoor units, and two (2) branch distribution units connected.

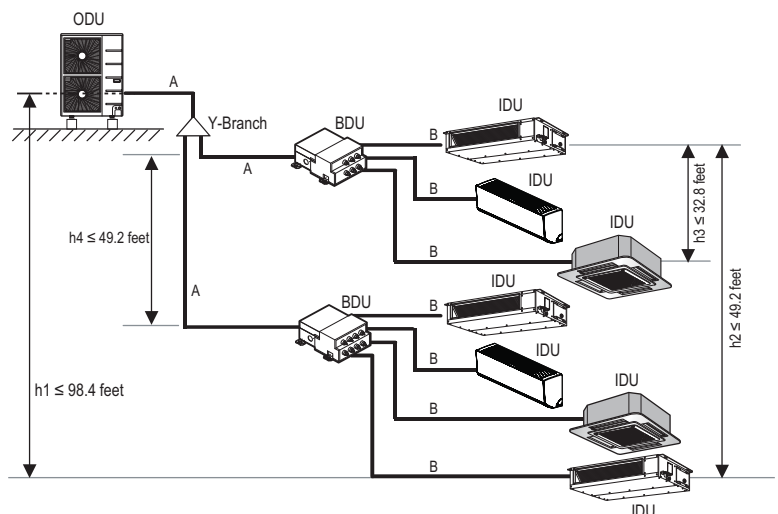
ODU: Outdoor Unit.

IDU: Indoor Unit.

BD: Branch Distribution Unit(s).

ΣA : Main Pipe.

ΣB : Branch Pipe (Branch Distribution Unit[s] to Indoor Unit[s]).



Multi F Outdoor Unit to Indoor Unit Piping Connections

Note:

Avoid Pipe Damage

- When routing field-provided piping, avoid damaging the outdoor unit from excessive vibration.
- Properly insulate the liquid and gas lines separately up to the point of connection at the unit frame.
- See table below for Multi F outdoor unit connection types.

⊘ Correctly route the piping so it does not make contact with mounting bolts. Allow room for field installation.

Table 24: Outdoor Unit Piping Connections.

| Outdoor Unit Piping Connections | LMU18CHV | LMU24CHV | LMU30CHV | LMU36CHV |
|---|----------|----------|----------|----------|
| Liquid Line Connection (in., OD) x Qty. | 1/4 x 2 | 1/4 x 3 | 1/4 x 4 | 1/4 x 4 |
| Vapor Line Connection (in., OD) x Qty. | 3/8 x 2 | 3/8 x 3 | 3/8 x 4 | 3/8 x 4 |

Table 25: Indoor Unit Pipe Sizes.

| Indoor Unit Capacity | Vapor Line Piping Size (in., OD) | Liquid Line Piping Size (in., OD) |
|----------------------|----------------------------------|-----------------------------------|
| 7,000 Btu/h | Ø3/8 | Ø1/4 |
| 9,000 Btu/h | | |
| 12,000 Btu/h | | |
| 15,000 Btu/h | | |
| 18,000 Btu/h | Ø1/2 | |
| 24,000 Btu/h | | |

Connection sockets (included as a factory-supplied accessory with the indoor units) may need to be used when piping the indoor units to the outdoor unit. If a 36K indoor unit is included, the connection sockets are included with the Branch Distribution unit.

Table 26: Connection Socket Dimensions.

| Indoor Unit Capacity | Vapor (in., OD) | | Liquid (in., OD) | |
|--|--------------------------|---|------------------|---|
| | A | B | A | B |
| 18,000 Btu/h: Wall-Mounted | Ø3/8 → Ø1/2, Ø1/2 → Ø5/8 | | Ø1/4 → Ø3/8 | |
| 18,000 Btu/h: Low Static Duct, Four-Way Cassette | Ø3/8 → Ø1/2 | | N/A | |
| 24,000 Btu/h | Ø3/8 → Ø1/2 | | N/A | |

Using the Connection Socket

1. Align the center of the piping sections and tighten the flare nut by hand.
2. Tighten the flare nut with a torque wrench, using the arrows on the wrench as a guide, until a click is heard.

Figure 43: Multi F Refrigerant Pipe Connections (LMU36CHV shown as example).

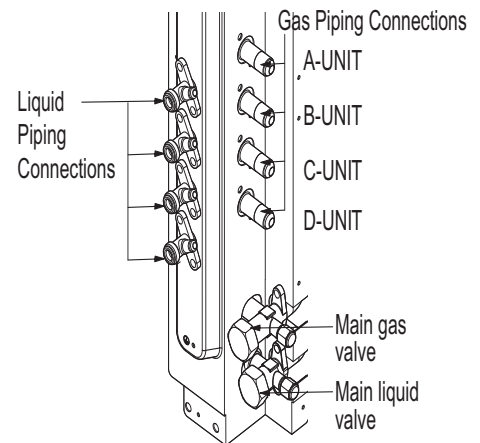


Table 27: Indoor Unit Piping Connections.

| Indoor Unit Capacity | Vapor Line Conn. (in., OD) | Liquid Line Conn. (in., OD) |
|--|----------------------------|-----------------------------|
| 7,000 Btu/h | Ø3/8 | Ø1/4 |
| 9,000 Btu/h | | |
| 12,000 Btu/h | | |
| 15,000 Btu/h | | |
| 18,000 Btu/h: Wall-Mounted | Ø5/8 | Ø3/8 |
| 18,000 Btu/h: Low Static Duct, Four-Way Cassette | Ø1/2 | Ø1/4 |
| 24,000 Btu/h | Ø1/2 | Ø1/4 |

Figure 44: Connection Socket Diagram.

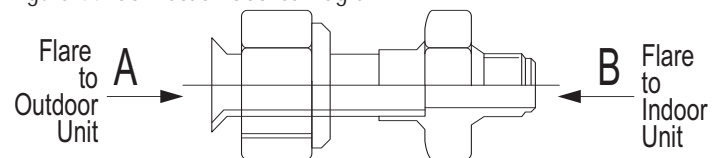
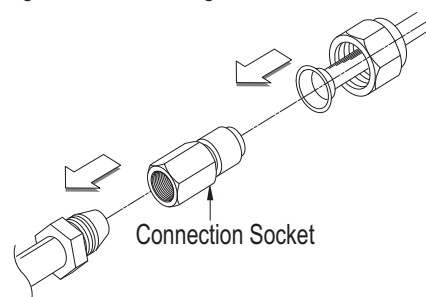


Figure 45: Performing Connections.



Multi F MAX Outdoor Unit System Piping Connections

Note:

Avoid Pipe Damage

- When routing field-provided piping, avoid damaging the outdoor unit from excessive vibration.
- Properly insulate the liquid and gas lines separately up to the point of connection at the unit frame.
- See table below for Multi F MAX outdoor unit connection types.

⊘ Correctly route the piping so it does not make contact with mounting bolts. Allow room for field installation.

Branch Distribution to Indoor Unit Piping Connections

- Install indoor unit liquid and vapor refrigerant pipes (and connection wiring) to the appropriate branch distribution ports.
- Clearly note on the indoor unit's refrigerant piping (liquid, vapor) which branch distribution port it is connected to (A, B, C, D).

Table 29: Branch Distribution Unit Piping Connections.

| Branch Distribution Unit | PMBD3620 | PMBD3630 | PMBD3640 | PMBD3641 |
|---|----------|----------|----------|--------------------|
| Piping Connections to Outdoor Unit | | | | |
| Liquid (in., OD) x Qty. | Ø3/8 x 1 | | | |
| Vapor (in., OD) x Qty. | Ø3/4 x 1 | | | |
| Piping Connections to Indoor Units | | | | |
| Liquid (in., OD) x Qty. | Ø1/4 x 2 | Ø1/4 x 3 | Ø1/4 x 4 | Ø1/4 x 4 |
| Vapor (in., OD) x Qty. | Ø3/8 x 2 | Ø3/8 x 3 | Ø3/8 x 4 | Ø3/8 x 3, Ø1/2 x 1 |

Table 30: Indoor Unit Pipe Sizes.

| Indoor Unit Capacity | Vapor Line Piping Size (in., OD) | Liquid Line Piping Size (in., OD) |
|----------------------|----------------------------------|-----------------------------------|
| 7,000 Btu/h | Ø3/8 | Ø1/4 |
| 9,000 Btu/h | | |
| 12,000 Btu/h | | |
| 15,000 Btu/h | | |
| 18,000 Btu/h | Ø1/2 | Ø3/8 |
| 24,000 Btu/h | | |
| 36,000 Btu/h | Ø5/8 | Ø3/8 |

Connection sockets (included as a factory-supplied accessory with the indoor units) may need to be used when piping the indoor units to the branch distribution unit. If a 36K indoor unit is included, the connection sockets are included with the Branch Distribution unit.

Table 32: Connection Socket Dimensions.

| Indoor Unit Capacity | Vapor (in., OD) | | Liquid (in., OD) | |
|--|--------------------------|---|------------------|---|
| | A | B | A | B |
| 18,000 Btu/h: Wall-Mounted | Ø3/8 → Ø1/2, Ø1/2 → Ø5/8 | | Ø1/4 → Ø3/8 | |
| 18,000 Btu/h: Low Static Duct, Four-Way Cassette | Ø3/8 → Ø1/2 | | N/A | |
| 24,000 Btu/h | Ø3/8 → Ø1/2 | | N/A | |
| 36,000 Btu/h | Ø1/2 → Ø5/8 | | Ø1/4 → Ø3/8 | |

Table 28: Outdoor Unit Piping Connections.

| Outdoor Unit Piping Connections | LMU480HV, LMU540HV, LMU600HV |
|---|------------------------------|
| Liquid Line Connection (in., OD) x Qty. | 3/8 x 1 |
| Vapor Line Connection (in., OD) x Qty. | 3/4 x 1 |

Figure 46: Branch Distribution Ports to Indoor Units.

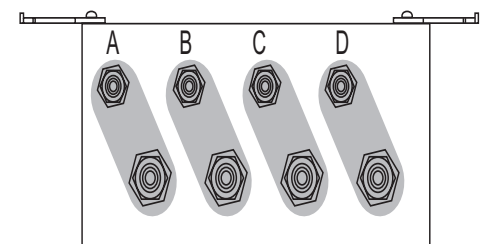
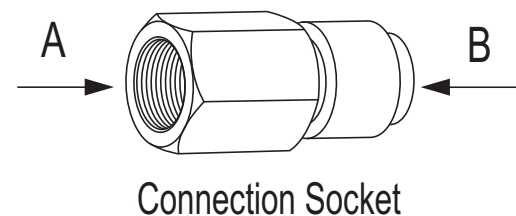


Table 31: Indoor Unit Piping Connections.

| Indoor Unit Capacity | Vapor Line Conn. (in., OD) | Liquid Line Conn. (in., OD) |
|--|----------------------------|-----------------------------|
| 7,000 Btu/h | Ø3/8 | Ø1/4 |
| 9,000 Btu/h | | |
| 12,000 Btu/h | | |
| 15,000 Btu/h | | |
| 18,000 Btu/h: Wall-Mounted | Ø5/8 | Ø3/8 |
| 18,000 Btu/h: Low Static Duct, Four-Way Cassette | Ø1/2 | Ø1/4 |
| 24,000 Btu/h | Ø1/2 | Ø1/4 |
| 36,000 Btu/h | Ø5/8 | Ø3/8 |

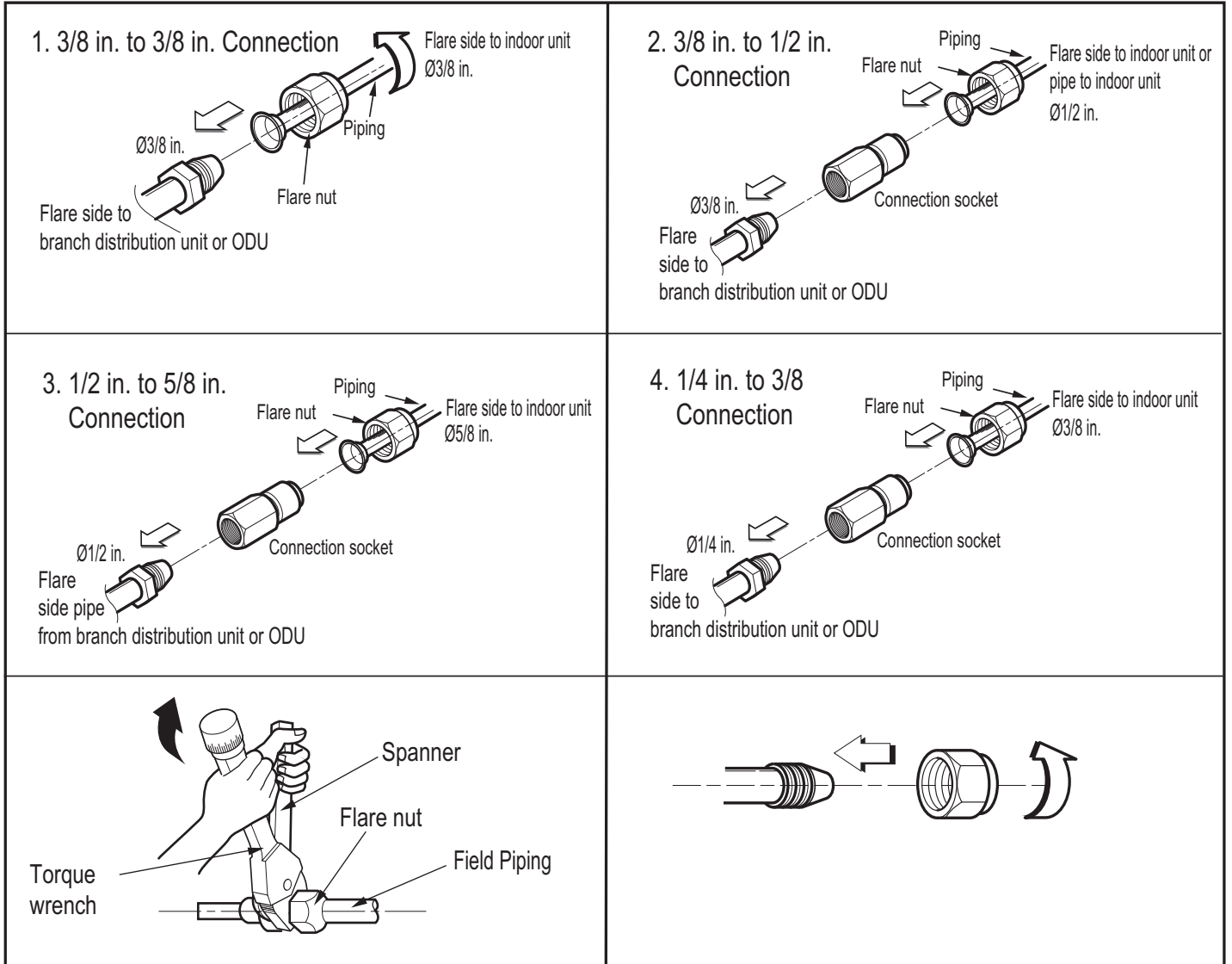
Figure 47: Connection Socket Diagram.



Multi F MAX Outdoor Unit System Piping Connections, continued.

1. Align the center of the piping sections and tighten the flare nut by hand.
2. Tighten the flare nut with a torque wrench, using the arrows on the wrench as a guide, until a click is heard.
3. Wrap insulation around the connection.

Figure 48: Possible Outdoor Unit or Branch Distribution Unit to Indoor Unit Connections.



Outdoor Unit Condensate Drain Piping

Outdoor unit requires condensate drain piping. Condensate drain pipe is constructed with materials approved by local code. See pages 13 to 17 for information in reference to outdoor unit placement and condensate drainage.

Y-Branch Kit

Multi F MAX Y-Branch Kit PMBL5620

Y-branches may be installed in horizontal or vertical configurations. When installed vertically, position the Y-branch so the straight-through leg is $\pm 3^\circ$ of plumb. When installed horizontally, position the Y-branch so the take-off leg is level and shares the same horizontal plane as the straight-through leg $\pm 5^\circ$ rotation.

Y-branches should always be installed with the single port facing the outdoor unit and the two-port end facing the branch distribution units.

The equivalent pipe length of each Y-branch (1.6') must be added to the main pipe segment entered into LATS Multi F piping design software.

Figure 50: Horizontal Configuration End View.

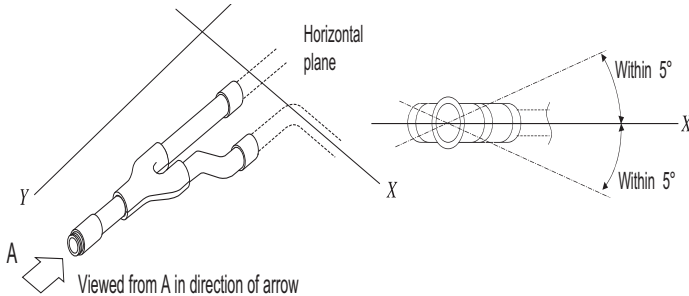


Table 33: Y-Branch Connection Diameters.

| Model | Y-Branch Type | Port Identifier (inch) | | | Dimensions | |
|----------|---------------|------------------------|-----|-----|------------|------|
| | | 1 | 2 | 3 | X | Y |
| PMBL5620 | Liquid | 3/8 | 3/8 | 3/8 | 13.80 | 3.24 |
| | Vapor | 3/4 | 3/4 | 3/4 | 12.48 | 3.02 |

Figure 49: Y-Branch Port Identifier Diagram.



Figure 51: Y-Branch Dimensions Diagram.

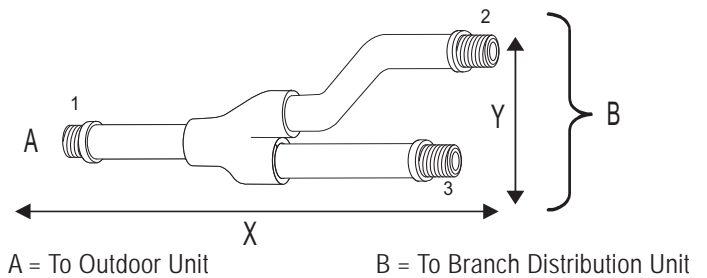
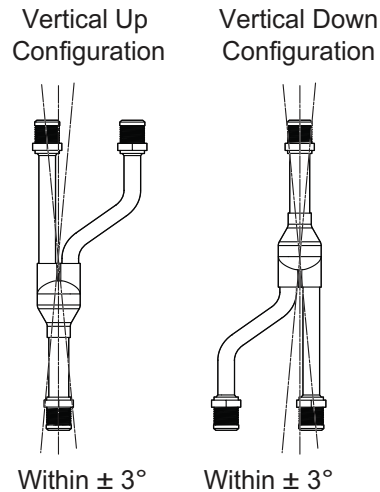


Figure 52: Y-branch Installation Alignment Specification.



Flushing the Refrigerant Piping

Flushing is a method of cleaning the refrigerant piping using pressurized nitrogen gas. Flushing:

1. Removes oxidation bubbles that may have formed inside the copper piping if nitrogen replacement was insufficient during soldering.
2. Removes foreign material and moisture from piping if the piping wasn't stored properly.
3. Checks connections in pipes linking outdoor and indoor units (both liquid and gas pipes).

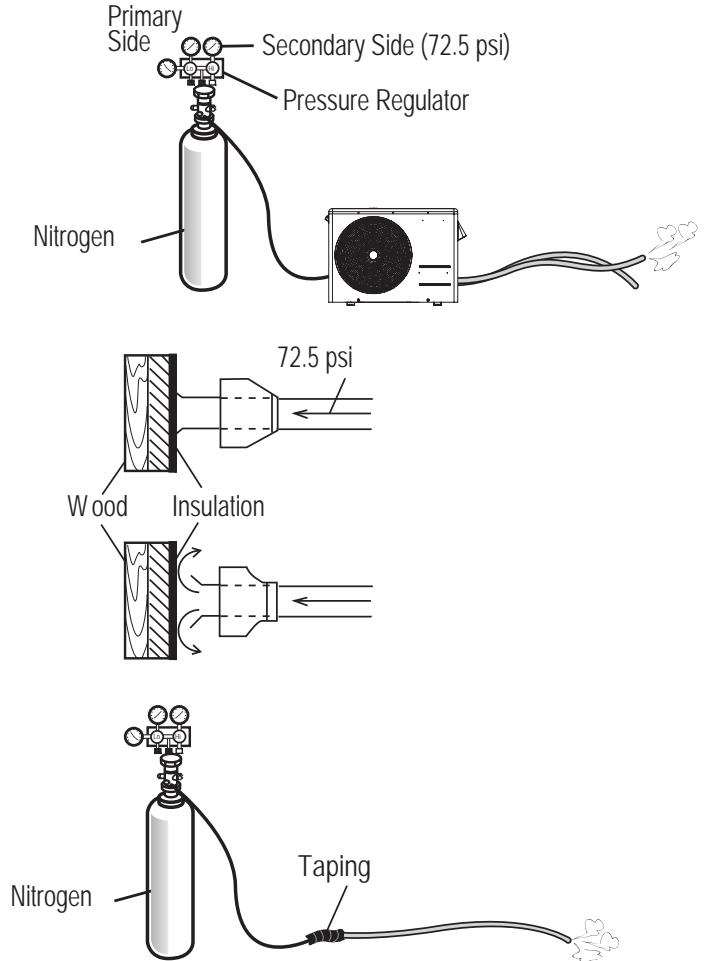
Flushing the Refrigerant Piping Procedure

1. Attach a pressure regulator on a nitrogen cylinder.
2. Connect the charge hose from the pressure regulator to the outdoor unit liquid piping side service port before its connection to the indoor or BD (Multi F MAX systems only) unit piping.
3. Open the main valve on the nitrogen cylinder and set the pressure regulator to 0.5 MPa (72.5 psi).
4. Verify that the nitrogen is flowing through the piping correctly.
5. When flushing, block the open end of the piping with a wood insulation block. When the pressure becomes too high, quickly remove the block.
6. Repeat steps 4 and 5 until the piping is completely flushed and clean.
7. Connect the charge hose from the pressure regulator to the outdoor unit gas piping side service port before its connection to the indoor or BD (Multi F MAX systems only) unit piping.
8. Follow steps 3, 4, 5, and 6.
9. For systems with BD unit(s) (Multi F MAX only), each piping run should be flushed individually before connecting the indoor units (follow steps 3, 4, 5, and 6).

Note:

Nitrogen flushing is strongly recommended after soldering. Foreign materials in the piping will cause system malfunction.

Figure 53: Flushing the Refrigerant Piping.



Leak Test and Vacuum Procedures

Before performing the test run, Multi F and Multi F MAX refrigerant piping and the piping connections to the outdoor unit, the indoor units, and the BD units (Multi F MAX systems only) must be evacuated to remove any non-condensable gases and moisture that may be present in the system, and checked for leaks. Air and moisture that is left in the piping can lead to undesirable results and can cause damage to the working unit. It is important to go through a complete air purging cycle to be sure that the lines are cleared out. Note that this process may have to be repeated should any air or moisture be found to remain in the piping. After air purging and evacuating the lines, be sure to take a leak test for all piping and tubing. If any air and moisture remain in the refrigerant system:

1. Pressure in the system rises.
2. Operating current rises.
3. Cooling or heating efficiency drops.
4. Moisture in the refrigerant circuit may freeze and block capillary tubing.
5. Water may corrode parts of the refrigeration system.

Leak Test

Note:

Perform the leak test by pressurizing nitrogen gas to 550 psi on both the liquid and gas pipes. Test with the piping service valves closed. If the pressure does not drop for twenty-four (24) hours, the system passes the test. If the pressure drops, there is a nitrogen leak in the system. Find the leak, repair, and then test again.

Before the Leak Test

1. Check that all refrigerant piping, the drain pipe, and power wiring / communications cables are properly connected.
2. Remove the caps from both the gas and the liquid service valves on the outdoor unit. Verify that both service valves are closed.

Pressure Gauge Hookup

3. Connect the manifold valve (which includes the pressure gauges), along with the dry nitrogen gas cylinder, to the service valves using the charge hoses.

Note:

Use a manifold valve for leak testing. The high side manifold valve must always be kept closed.

Leak Test Procedure

4. Pressurize the system to maximum 550 psig with the dry nitrogen gas.

⚠ DANGER

Use of combustible gases including oxygen, may result in fire or explosion, resulting in personal injury or death.

⚠ WARNING

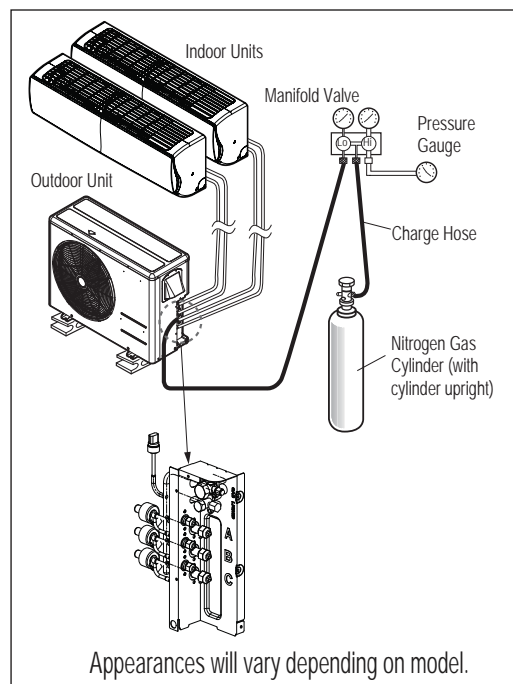
Use of combustible gases including oxygen runs the risk of fire and explosion, resulting in personal injury or death. Inert gas (nitrogen) should be used when checking leaks, cleaning or repairs of pipes, etc.

Note:

- To avoid nitrogen entering the refrigerant system in a liquid state, the top of the cylinder must be higher than its bottom when the system is pressurized.
- The cylinder should be used in a vertical standing position.

5. Close the cylinder valve when the gauge reading reaches 550 psig, and then test for leaks using the liquid soap method.
6. While running the nitrogen gas tank hookup, apply a soap water or a liquid neutral detergent to all indoor, BD, outdoor unit connection(s), and all refrigerant piping joints with a soft brush. Also test for leaks at both of the gas and liquid side service valves.

Figure 54: Leak Test Diagram.



Leak Test Procedure, continued.

7. While operating the pressure gauge system, observe the connections for any leaks. If bubbles appear at any of the connections (indoor, BD, and outdoor units) or refrigerant piping joints, a leak is present.
8. Make a note of where the leaks are, and remove the soap with a clean cloth.
9. Disengage the nitrogen pressure by loosening the charge hose connector at the nitrogen cylinder. After the system pressure is back to normal range, disconnect hose from the cylinder.
10. Repair the connections and piping where bubbles / leaks were observed. When finished, repeat leak testing using the liquid soap method and nitrogen cylinder.
11. After system is leak free, depressurize by loosening the charge hose connector at the nitrogen cylinder. When system pressure returns to normal, disconnect the hose from the cylinder.

Essential Points for Leak Testing

The key to successful testing is strict adherence to the leak testing procedure.

1. The liquid and gas piping in each refrigerant system should be pressurized with nitrogen gas in accordance with the steps listed below.
 - Step 1: Pressurize to 43.5 psi for three (3) minutes or more. (Will identify if major leaks are present in the system.)
 - Step 2: Pressurize to 217.6 psi for three (3) minutes or more. (Will identify if major leaks are present in the system.)
 - Step 3: Pressurize to 551.1 psi for approximate twenty-four (24) hours. (Will identify if minor leaks are present in the system.)

Pressurizing the system to 551.1 psi does not guarantee the identification of minor leaks if the pressure is maintained for only a short time. It is recommended that the system remain pressurized for at least 24 hours.

Note:

Piping system should not be pressured to more than 551.1 psi. Pressures greater than 551.1 psi may damage the piping system and cause unit malfunction.

2. Check for pressure drop. If there is no drop in pressure, the test is successful. If the pressure drops, there is a leak in the piping system. If, however, there was a change in the ambient temperature between when pressure was initialized and when pressure drop is checked, then calculations must be adjusted accordingly. A difference of 1.8°F can account for a pressure change of 1.45 psi.

Compensation Value: Temperature at Pressure Initialization – Temperature at Pressure Check × 1.45

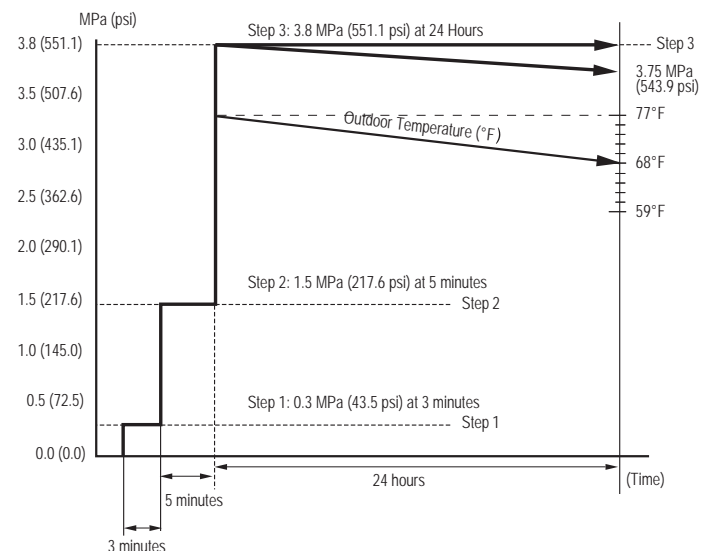
Example:

During Leak Test: 551.1 psi at 77°F

Twenty-four (24) Hours Later: 543.9 psi at 68°F

Although the pressure dropped from 551.1 psi to 543.9 psi, it can be assumed that there are no leaks because pressure can also drop due to the change in outdoor temperature.

Figure 55: Leak Test Time Diagram.




Vacuum Procedure

Vacuum Procedure

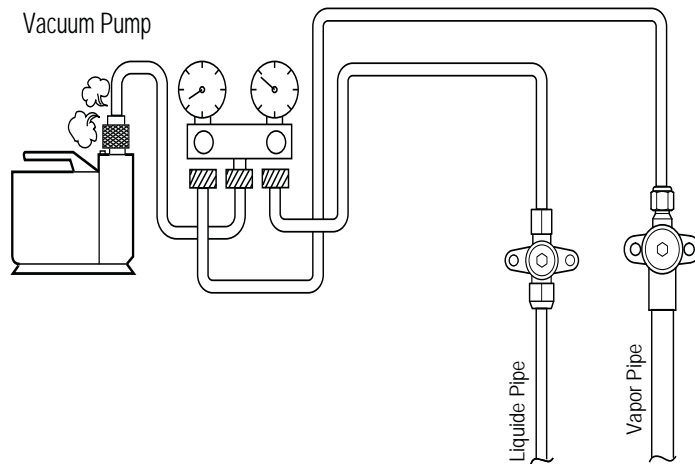
Vacuum drying should be performed from the service port provided on the outdoor unit's service valve to the vacuum pump commonly used for liquid pipe and the vapor pipe. Vacuum of the pipe and the indoor units should be made from the port of the outdoor unit's service valve with the service valve closed.

Note:


-  Never perform air purging using refrigerant; it will damage the outdoor unit.
- Use a vacuum pump that can evacuate to 500 microns.

1. Evacuate the system from the liquid and vapor pipes with a vacuum pump for over two (2) hours and bring the system to 500 microns.
2. Maintain system under that condition for over one (1) hour; if the vacuum gauge rises, the system may contain moisture or a leak.
3. If there is a possibility of moisture in the piping (rainwater may have entered the piping if work was performed during a rainy season or over an extended period), then:
 - Evacuate the system for two (2) hours to 7.3 psi (vacuum break) with nitrogen gas.
 - Evacuate it again with the vacuum pump for one (1) hour to 500 microns (vacuum drying).
4. If the system cannot be evacuated to 500 microns, repeat the steps of vacuum break and drying.
5. Finally, after maintaining the system in vacuum for one (1) hour, check if the vacuum gauge rises or not.

Figure 56: Vacuum Procedure Diagram.



Note:

- If the primary refrigerant charge is not performed in a reasonable time after the vacuum procedure is complete, wet air may infiltrate the outdoor unit. If wet air is mixed with refrigerant, the refrigerant cycle may malfunction and the unit may be damaged.
-  Do not perform refrigerant charge while the compressor is operating, otherwise, liquid may leak and subsequently damage the compressor.
- Use a micron gauge to measure vacuum.
- Obtain the precise amount of refrigerant needed using calculations outlined in the following pages. Too much or too little refrigerant may cause the system to malfunction.
- If other refrigerants are mixed in the original refrigerant, the refrigerant piping system may be damaged or malfunction.
- Because R410A is a mixed refrigerant, the required additional refrigerant must be charged in its liquid state. If the refrigerant is charged in its gaseous state, its composition changes and the system will not work properly.

LG Multi F and Multi F MAX outdoor units ship from the factory with a charge of R410A refrigerant. A trim charge may need to be added to take into account additional piping length.

To determine the additional refrigerant that is needed, apply the formulas below, and record the results. If the total additional refrigerant charge value is a negative number, then an additional trim charge does not need to be added to the system.

Multi F Systems

$$\begin{aligned} \text{Additional charge (lbs.)} &= (\text{Installed Length of Branch [A]} - \text{Chargeless Pipe Length [L]}) \times a \\ &+ (\text{Installed Length of Branch [B]} - \text{Chargeless Pipe Length [L]}) \times a \\ &+ (\text{Installed Length of Branch [C]} - \text{Chargeless Pipe Length [L]}) \times a \\ &+ (\text{Installed Length of Branch [D]} - \text{Chargeless Pipe Length [L]}) \times a \\ &- \text{CF (Correction Factor)} \times 5.29 \end{aligned}$$

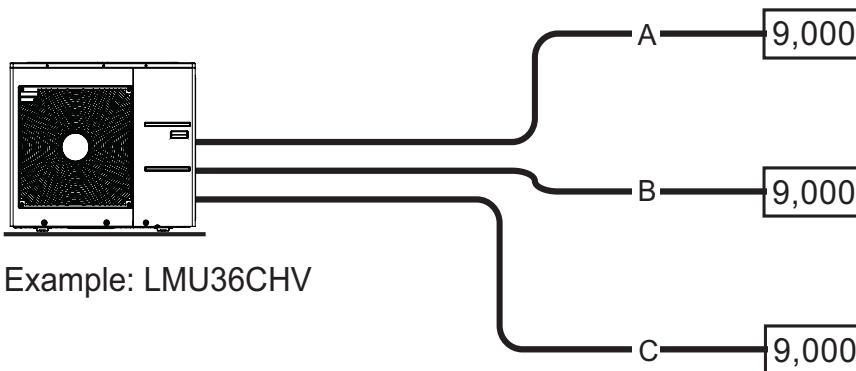
Note:

- Number of installed length of branches depends on the specifications of the outdoor unit model.
- CF = Maximum number of connectible indoor units – Total number of connected indoor units.

Table 35: Multi F Outdoor Unit Piping Specifications.

| Outdoor Unit Model | Min. to Max. Piping Length for One Branch (ft.) | Max. Total System Piping Length (ft.) | Chargeless Pipe Length per Branch (L) (ft.) | Piping Length (No Additional Refrigerant [ft]) | Additional Charge Needed (a) (oz./ft.) |
|--------------------|---|---------------------------------------|---|--|--|
| LMU18CHV | 9.8 to 82 | 164 | 24.6 | 49.2 | 0.22 |
| LMU24CHV | 9.8 to 82 | 246.1 | 24.6 | 73.8 | 0.22 |
| LMU30CHV | 9.8 to 82 | 246.1 | 24.6 | 98.4 | 0.22 |
| LMU36CHV | 9.8 to 82 | 246.1 | 24.6 | 98.4 | 0.22 |

Figure 57: Multi F Additional Refrigerant Charge Example.



Example: LMU36CHV

Each branch pipe
A = 82 ft.
B = 16 ft.
C = 49 ft.

$$\begin{aligned} \text{Additional Charge} &= (82 - 24.6) \times 0.22 \\ &+ (16 - 24.6) \times 0.22 \\ &+ (49 - 24.6) \times 0.22 \\ &- (4 - 3) \times 5.29 \\ &= 10.82 \text{ oz.} \end{aligned}$$

REFRIGERANT PIPING PREPARATION

MULTI F
MULTI F MAX

Refrigerant Charge

Multi F MAX Systems

Additional charge (lbs.) = (Total Main Piping Length [A] - Chargeless Pipe Length of Main Pipe [L]) x a
 + (Installed Length of Branch [B1] - Chargeless Pipe Length [B]) x b
 + (Installed Length of Branch [B2] - Chargeless Pipe Length [B]) x b
 + (Installed Length of Branch [B3] - Chargeless Pipe Length [B]) x b ...
 - CF (Correction Factor) x 3.53

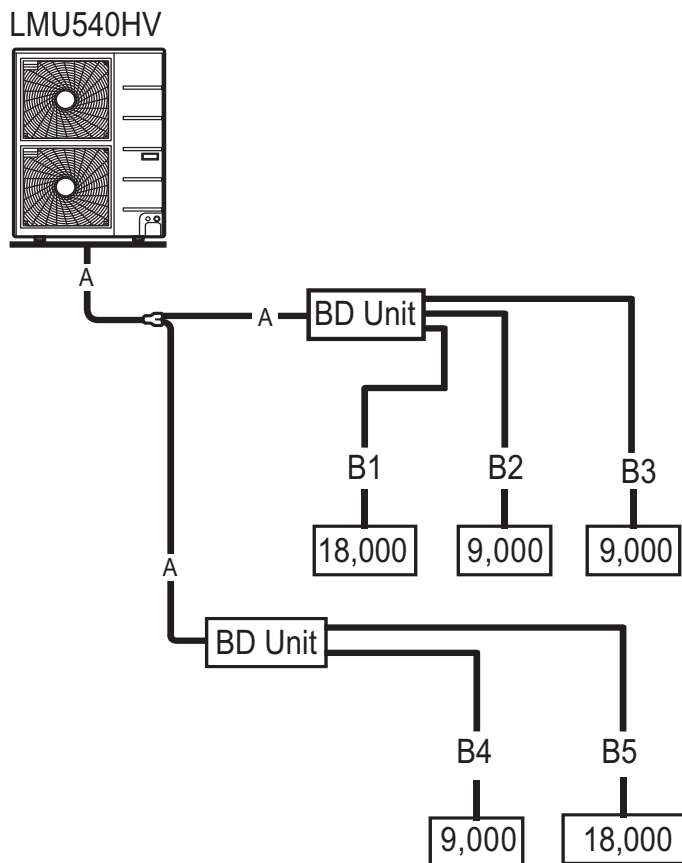
Note:

- Number of installed length of branches depends on system specifications.
- CF = Maximum number of connectible indoor units - Total number of connected indoor units

Table 36: Multi F MAX Outdoor Unit Piping Specifications.

| Outdoor Unit Model | Main Piping Length | | Branch Piping Length | |
|--------------------|---|--|--|--|
| | Chargeless Pipe Length of Main Pipe (L) (ft.) | Additional Charge Needed (a) (oz./ft.) | Chargeless Pipe Length per Branch Pipe (B) (ft.) | Additional Charge Needed (b) (oz./ft.) |
| LMU480HV | 16.4 | 0.54 | 16.4 | 0.22 |
| LMU540HV | 16.4 | 0.54 | 16.4 | 0.22 |
| LMU600HV | 16.4 | 0.54 | 16.4 | 0.22 |

Figure 58: Multi F MAX Additional Refrigerant Charge Example.



- Total main pipe (A) = 60 ft.
- Each branch pipe
 B1 = 49 ft.
 B2 = 17 ft.
 B3 = 17 ft.
 B4 = 10 ft.
 B5 = 23 ft.

Additional Charge
 = (60 - 16.4) x 0.54
 + (49 - 16.4) x 0.22
 + (17 - 16.4) x 0.22
 + (17 - 16.4) x 0.22
 + (10 - 16.4) x 0.22
 + (23 - 16.4) x 0.22
 - (8 - 5) x 3.53
 = 20.43 oz.

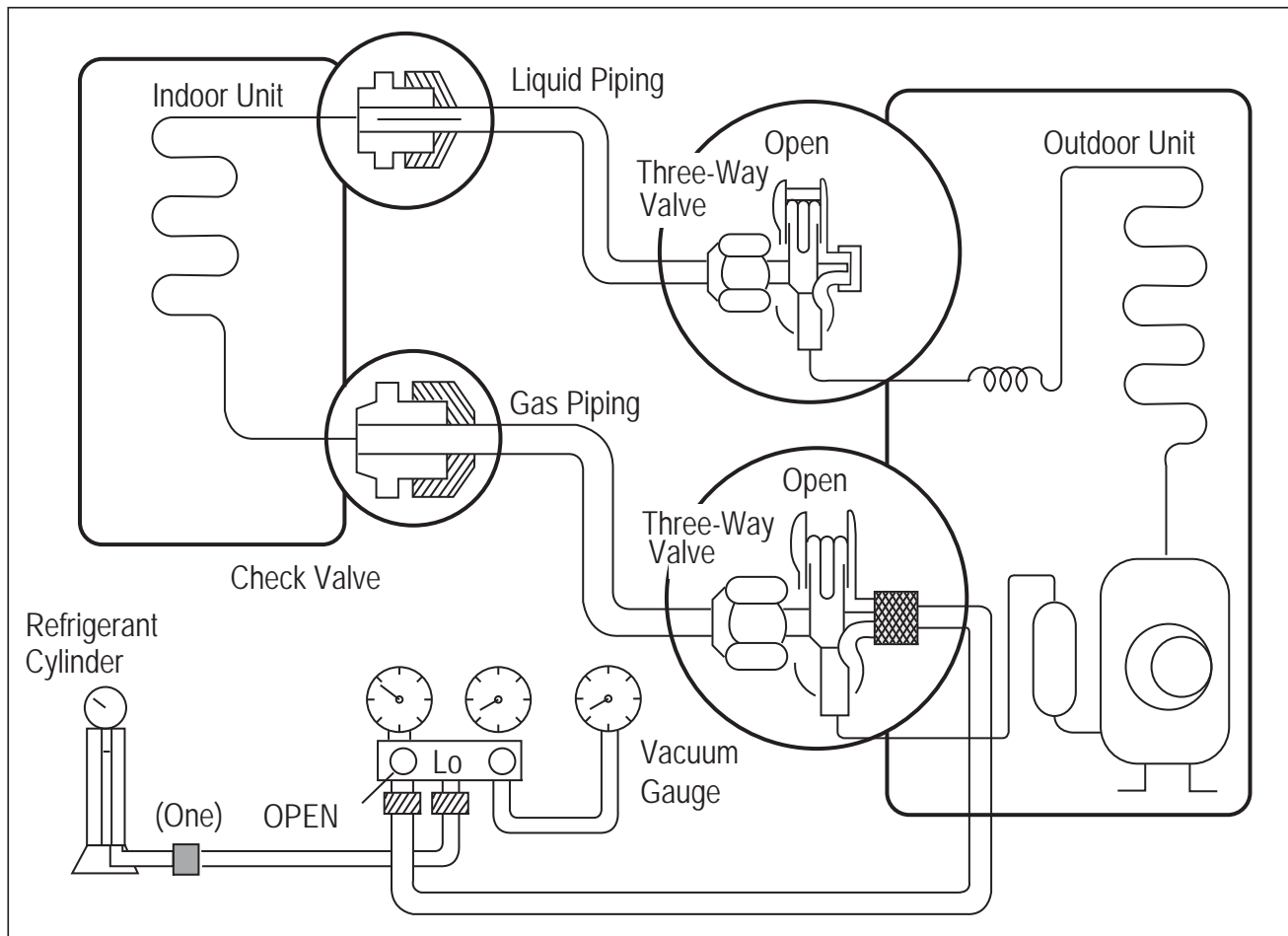
Charging the Refrigerant

1. Determine the refrigerant that is needed, applying the necessary formulas as outlined in the previous pages.
2. Connect the charging cylinder to the charge hose on the manifold valve.
3. Purge air from the charge hose by opening the valve at the bottom of the cylinder, and press the check valve on the manifold valve.
4. Confirm that the "Lo" knob of the manifold valve is open and charge the system with liquid refrigerant. (Because R-410A is a non-azeotropic refrigerant, it must be charged in the liquid state.)
 - If the required amount of refrigerant cannot be charged all at once, the refrigerant can be charged a little at a time (approximately 5.29 ounces) while the system operates in cooling. This procedure must be repeated until the entire amount of refrigerant gets charged into the system; perform once, then wait approximately one [1] minute before resuming.
5. Immediately disconnect the charge hose from the service port on the three-way valve. Stopping halfway allows the refrigerant to discharge.
 - If the system has been charged with liquid refrigerant while it operates, turn the system off before disconnecting the hose.
6. Mount the valve stem nuts and the service port nut. Use torque wrench to tighten the service port nut to a torque of 1.8 kg.m and check for leaks.

⚠ WARNING

When installing or relocating the outdoor unit, make sure that no substance other than the specified refrigerant (R410A) enters the refrigerant circuit. Any presences of foreign substances such as air can cause an abnormal pressure rise and may result in explosion and physical injury.

Figure 59: Charging the Refrigerant.



Refrigerant Piping System Insulation

All refrigerant piping from the outdoor unit to the indoor units / BD units (Multi F MAX systems only) must be insulated correctly for safety and usage. Y-branch connections, refrigerant piping, field-provided isolation ball valves (if present), service valves, and elbows must be properly and completely insulated using closed cell pipe insulation (up to the indoor unit piping connections). To prevent heat loss / heat gain through the refrigerant piping, all refrigerant piping including liquid lines and vapor lines shall be insulated separately. Insulation shall be a minimum 1/2" thick, and thickness may need to be increased based on ambient conditions and local codes. Table below lists minimum wall thickness requirements for Ethylene Propylene Diene Methylene (EPDM) insulation.

Inside the outdoor unit, maximum pipe temperature is 248°F and minimum pipe temperature is -40°F. For field insulation of refrigerant piping between outdoor units and indoor units, consider the following pipe temperature ranges for an operating heat pump system:

- Heating mode refrigerant temperature ranges: Liquid 75-118°F; High Pressure Vapor 95-220°F
- Cooling mode refrigerant temperature ranges: Liquid 75-118°F; Low Pressure Vapor 40-90°F

Figure 60: Typical Pipe Insulation, Power Wire and Communications Cable Arrangement

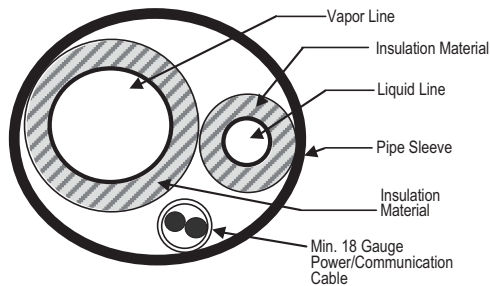


Figure 61: Typical Insulation Butt-Joint at Indoor Unit Casing

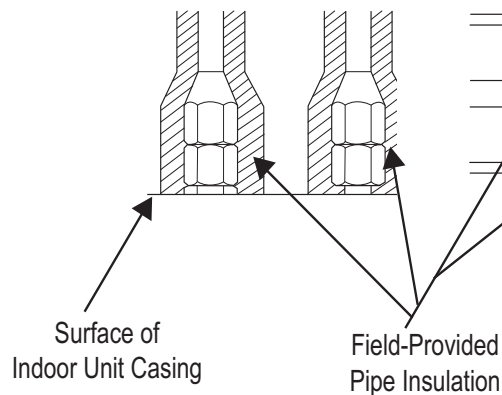
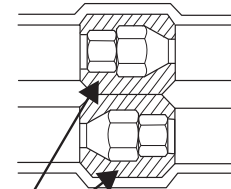


Figure 62: Typical Refrigerant Flare Fitting Insulation Detail



Note:

- Do not insulate gas and liquid pipes together as this can result in pipe leakage and malfunction due to extreme temperature fluctuations.
- Be sure to fully insulate the piping connections.

Minimum Refrigerant Pipe Ethylene Propylene Diene Methylene (EPDM) Insulation Wall Thickness Requirements

Note:

Follow local codes when selecting EPDM insulation wall thickness.

Table 37: Insulation Guidelines for Typical and Special Circumstances

| Classification | Air-conditioned location | | Non-air conditioned location | |
|----------------|--------------------------|---------------------|------------------------------|---------------------|
| | 1. Typical location | 2. Special location | 3. Typical location | 4. Special location |
| Liquid pipe | ø1/4 inch | 1/2 inch | 1/2 inch | 1/2 inch |
| | ø3/8 inch | 1/2 inch | 1/2 inch | 1/2 inch |
| | ≥ø1/2 inch | 1/2 inch | 1/2 inch | 1/2 inch |
| Vapor pipe | ø3/8 inch | 1/2 inch | 3/4 inch | 1 inch |
| | ø1/2 inch | | | |
| | ø5/8 inch | | | |
| | ø3/4 inch | | | |
| | ø7/8 inch | | | |
| | ø1 inch | 3/4 inch | 1 inch | |
| | ø1-1/8 inches | | | |
| | ø1-1/4 inches | | | |
| | ø1-3/8 inches | | | |
| | ø1-1/2 inches | | | |
| ø1-3/4 inches | | | | |

1. **Typical location (Air-conditioned location):** When the piping passes through an indoor area where the indoor unit operates.
 • Apartment, classroom, office, mall, hospital, etc.

2. **Special location (Air-conditioned location):**

1. When the location is air conditioned, but there is severe temperature/humidity difference due to high ceilings
 • Church, auditorium, theater, lobby, etc.
2. When the location is air conditioned, but internal temperature/humidity are high
 • Bathroom, swimming pool, locker room, etc.

3. **Typical location (Non-Air conditioned location):** When the piping passes through an indoor area where the indoor unit does not operate.

- Hallway or a dormitory or school, etc.

4. **Special location (Non-Air conditioned location):** If conditions 1 and 2 below are present.

1. When the piping passes through an indoor area where the indoor unit does not operate.
2. When the humidity is high and there is no air flow in the location where the piping is installed.
 • The thickness of the above insulation material is based on heat conductivity of 0.61 Btu/in/h/ft²/°F.

Pipe Sleeves at Penetrations

LG requires that all pipe penetrations through walls, floors, and pipes buried underground be routed through a properly insulated sleeve that is sufficiently sized to provide free movement of the pipe and does not compress the insulation. Underground refrigerant pipe shall be routed inside a protective sleeve to prevent insulation deterioration. Also follow federal, state, and local regulations and codes when choosing a sleeve type.

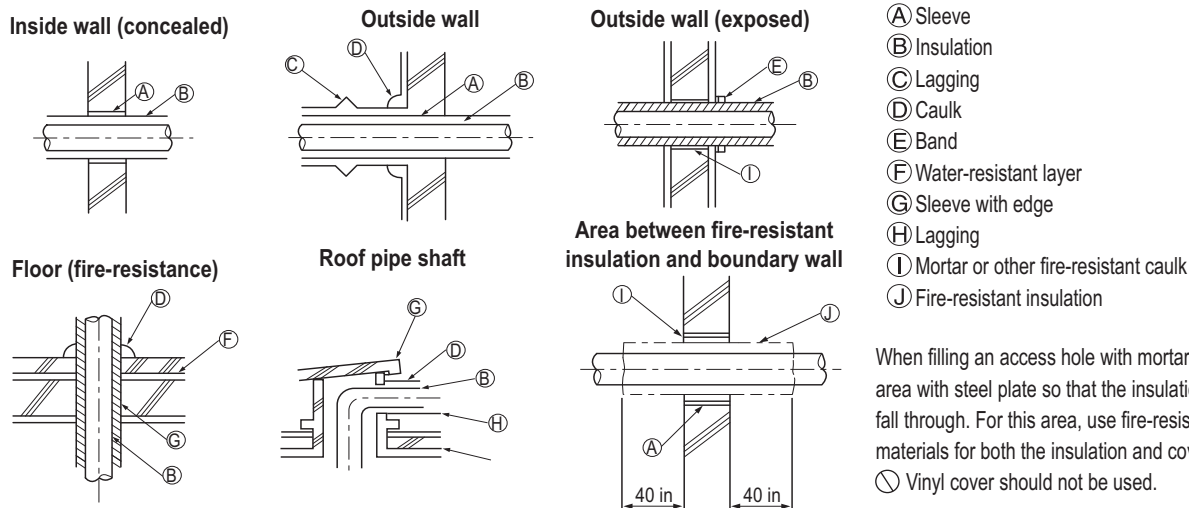
Note:

Diameter of penetrations shall be determined by pipe diameter plus the thickness of the insulation.

For example:

| | |
|--|--------------|
| Diameter of Gas Piping: | 1/2" |
| Diameter of Liquid Piping: | 1/4" |
| Thickness of Gas Piping Insulation: | 0.4" x 2 |
| Thickness of Liquid Piping Insulation: | 0.4" x 2 |
| Surplus: | 0.8" |
| Sleeve diameter (total): | 3.1" minimum |

Figure 63: Pipe Sleeve Options.



When filling an access hole with mortar, cover the area with steel plate so that the insulation will not fall through. For this area, use fire-resistant materials for both the insulation and cover.
 ○ Vinyl cover should not be used.

REFRIGERANT PIPING PREPARATION

MULTI F
MULTI F MAX

Refrigerant Piping Insulation

Underground Refrigerant Piping

Refrigerant pipe installed underground should be routed inside a vapor tight protective sleeve to prevent insulation deterioration and water infiltration. Refrigerant pipe installed inside underground casing must be continuous without any joints. Underground refrigerant pipe must be located at a level below the frost line.

Table 38: Utility Conduit Sizes.

| Liquid Pipe ¹ | Vapor Pipe ¹ | | |
|--------------------------|---------------------------|-----------------------------|-----------------------------|
| | 1/2 (2.0 ^{2,5}) | 5/8 (2-1/8 ^{2,5}) | 3/4 (2-1/4 ^{2,5}) |
| 1/4 (1.0) ³ | 4 | 4 | 4 |
| 3/8 (1-1/8) ³ | 4 | 4 | 5 |
| 1/2 (1-1/2) ⁴ | 5 | 5 | 5 |
| 5/8 (1-5/8) ⁴ | 5 | 5 | 5 |
| 3/4 (1-3/4) ⁴ | 5 | 5 | 5 |

¹OD pipe diameter in inches; Values in parenthesis () indicate OD of pipe with insulation jacket.

²Diameter of pipe with insulation. Thickness of pipe insulation is typical. Actual required thickness may vary based on surrounding ambient conditions and should be calculated and specified by the design engineer.

³Insulation thickness (value in parenthesis) = 3/8 inch.

⁴Insulation thickness (value in parenthesis) = 1 inch.

⁵Insulation thickness (value in parenthesis) = 3/4 inch.

Figure 64: Typical Arrangement of Refrigerant Pipe and Cable(s) in a Utility Conduit.

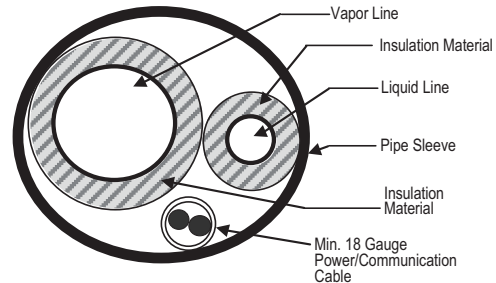


Figure 65: Underground Refrigerant Piping.



Installing the Insulation

1. Insulation material should be longer than the refrigerant piping. Each vapor and liquid piping must be insulated separately.
2. Place the closed-cell ethylene propylene diene methylene (EPDM) insulation material carefully around each refrigerant pipe so as not to damage it. Be sure the insulation material cutting line is place upward.
3. Apply adhesive to both cut surfaces of the insulation and press together. Allow adhesive to dry so that the bond is secure and does not come apart.

Insulating Piping Joints

1. Push the EPDM insulation from the straight piping surrounding the joint (elbow, outdoor unit to indoor unit piping connection point, etc.) as close together as possible.
2. Cut a piece of insulation to fit the joint, overlapping the insulation on the surrounding piping by at least one (1) inch.
3. Apply adhesive to bond all the ends.
4. Secure by completely wrapping narrow vinyl tape around the insulation / joint so that there are no gaps.
5. Tape should be sufficient to cover the piping so it can fit into the rear piping housing area at the back of the indoor unit or BD unit (Multi F MAX systems only).

Figure 66: Correct Cutting Line Placement.

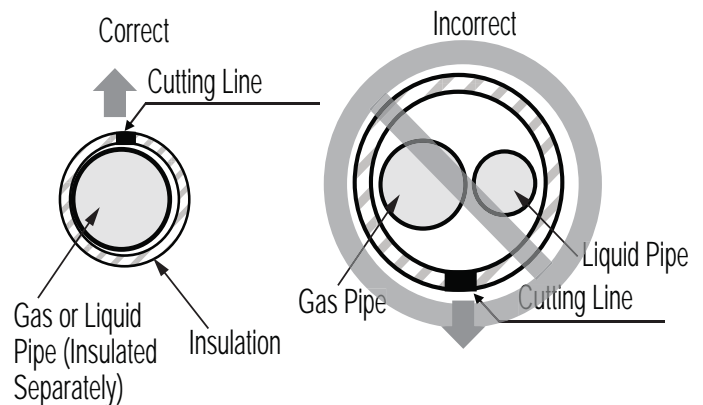
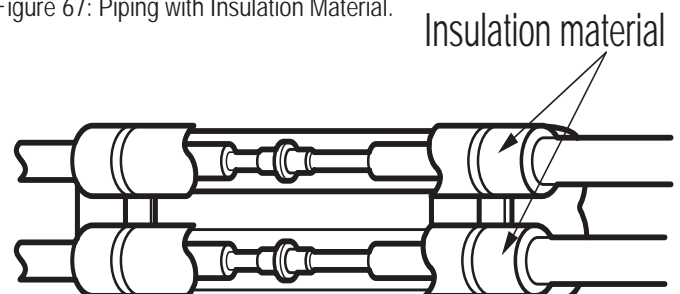


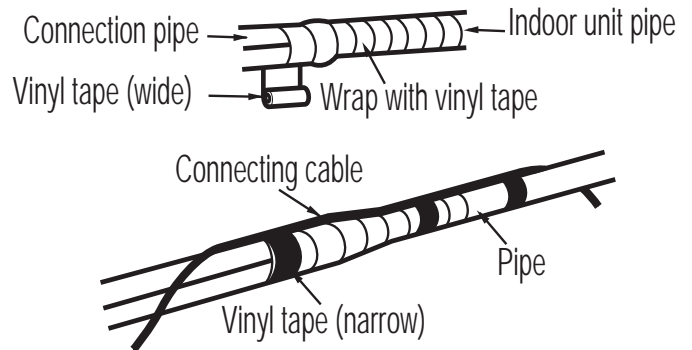
Figure 67: Piping with Insulation Material.



Bundling

If a conduit is not used on the connection from the outdoor unit to the interior, bundle both insulated refrigerant pipes, the drain hose, and outdoor unit to indoor unit / BD unit communication cable / power wiring together with wide vinyl tape.

Figure 68: Bundling the Connection Components (From Outdoor Unit to Indoor Unit / BD Unit [Multi F MAX systems]).



Special Applications

If an additional drain hose is necessary, the end of drain outlet should be routed above the ground. Secure and the drain hose appropriately.

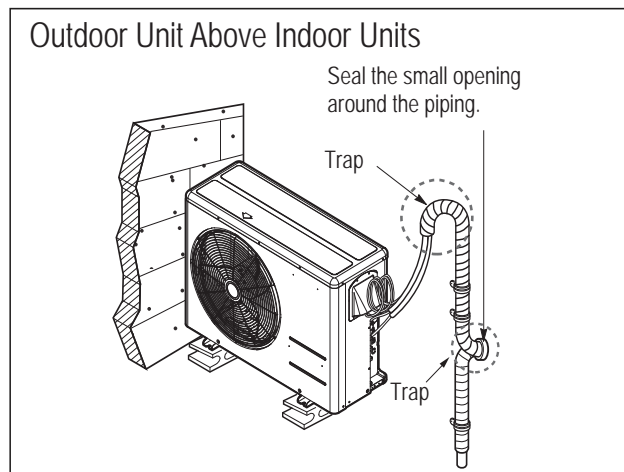
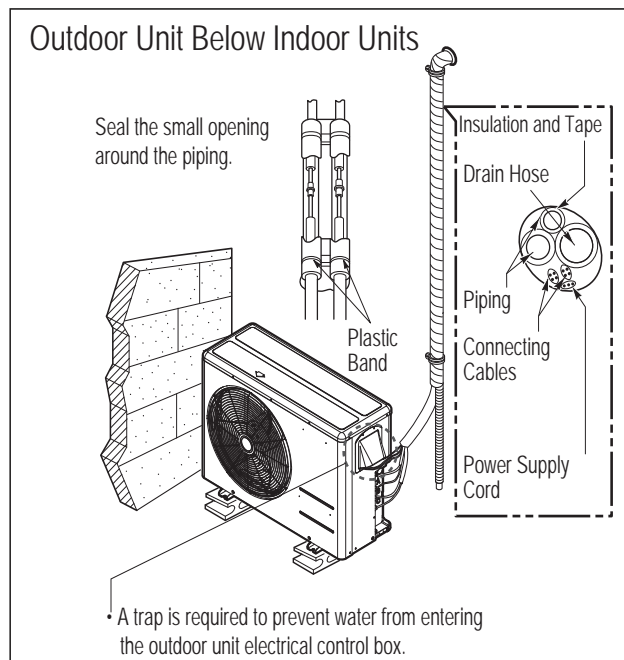
When the Outdoor Unit is Installed Below the Indoor Unit:

1. Wrap the vinyl tape around the separately insulated refrigerant piping, the drain hose, and the communications cable / power wiring together from the bottom to top.
2. Secure the bundle along the outside wall using saddles or a similar type of piping support.
3. Seal any openings in the wall.

When the Outdoor Unit is Installed Above the Indoor Unit:

1. Wrap the vinyl tape around the separately insulated refrigerant piping, the drain hose, and the communications cable / power wiring together from the bottom to top.
2. Secure a portion of the bundle along the outside wall using saddles or a similar type of piping support.
3. At the appropriate location, form a trap with the bundle to prevent water from entering interior spaces or the electrical control box of the outdoor unit.
4. Secure the rest of the bundle along the outside wall using saddles or a similar type of piping support.
5. Seal any openings in the wall.

Figure 69: Special Applications.

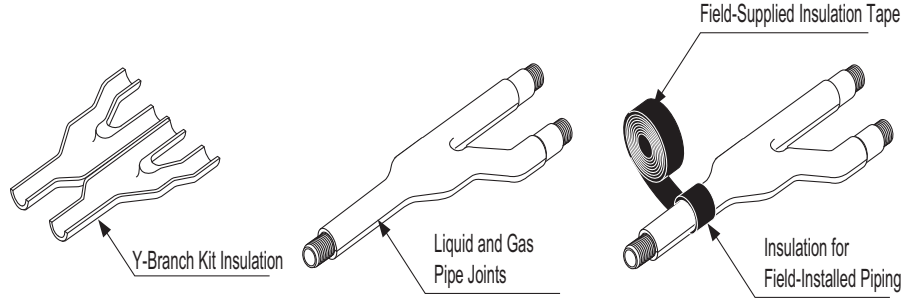


Y-Branch Kit Insulation

Each Y-branch kit comes with clam-shell type peel-and-stick insulation jackets molded to fit the Y-branch fittings—one for the liquid line, one for the vapor line.

- Check the fit of the Y-branch clam-shell insulation jacket after the Y-branch is installed.
- Mark the pipe where the insulation jacket ends.
- Remove the jacket.
- Install field-provided insulation on the pipes first.
- Peel the adhesive glue protector slip and install the clam-shell jacket over the fitting

Figure 70: Y-branch Insulation Detail.



Note:

Additional Insulation for Y-Branched May be Required in Humid Environments.

If the system has been operating for a long time in a high humidity environment (dew point temperature: more than 73°F), condensate is likely to form. If this happens, install 3/8 inch thick ethylene propylene diene methylene (EPDM) insulation that is plenum-rated with a heat-resistance factor that follows applicable local, state, and federal codes.

⚠ WARNING

- All power wiring and communication cable installation must be performed by authorized service providers working in accordance with local, state, and National Electrical Code regulations related to electrical equipment and wiring, and following the instructions in this manual.
- Be sure that main power to the unit is completely off before proceeding. Follow all safety and warning information outlined at the beginning of this manual. Failure to do so may cause electric shock and bodily injury.
- Familiarize yourself with the location of the circuit breaker. Be sure that a circuit breaker or some other emergency power cutoff device is in place before any power wiring is done to the system. Failure to do so may cause bodily injury or death.
- ⚡ Never touch any power lines or live cables before all power is cutoff to the system. To do so, may cause bodily injury or death.
- Undersized wiring may lead to unacceptable voltage at the unit and may become a fire hazard, causing bodily injury or death
- Properly ground the outdoor units. Ground wiring is required to prevent accidental electrical shock during current leakage.
- Install appropriately sized breakers / fuses / overcurrent protection switches and wiring in accordance with local, state, and National Electrical Code regulations related to electrical equipment and wiring, and following the instructions in this manual. Using an oversized breaker or fuse may result in electric shock, physical injury or death.
- ⚡ Do not connect ground wire to refrigerant, gas, or water piping; to lightning rods; to telephone ground wiring; or to the building plumbing system. Failure to properly provide a National Electrical Code-approved earth ground can result in electric shock, physical injury or death.

Note:

- Consider ambient conditions (temperature, direct sunlight, inclement weather, etc.) when selecting, installing, and connecting the power wiring.
- Properly ground the outdoor units. Improperly ground wire can cause communication problems from electrical noise and motor current leakage. Ground wiring must always be installed by a qualified technician.
- If the system operates in reversed phase, it may damage the compressors and other components.
- If there is a possibility of reversed phase, phase loss, momentary blackout, or the power goes on and off while the system is operating, install a field-supplied phase loss protection circuit.
- Undersized wiring may lead to unacceptable voltage at the unit and may cause unit malfunction.
- Install appropriately sized breakers / fuses / overcurrent protection switches and wiring in accordance with local, state, and National Electrical Code regulations related to electrical equipment and wiring, and following the instructions in this manual. Using an oversized breaker or fuse may result in equipment malfunction and property damage.
- ⚡ Do not connect ground wire to refrigerant, gas, or water piping; to lightning rods; to telephone ground wiring; or to the building plumbing system. Failure to properly provide a National Electrical Code-approved earth ground can result in property damage and equipment malfunction.

Power Supply / Power Wiring Specifications

Note:

- Multi F and Multi F MAX systems operate at 1Ø, 208-230V, 60Hz.
- Power supply, wire type and size should be selected based on National Electrical Code and local codes. Maximum allowable voltage fluctuation ±10% or nameplate rated value.
- Properly ground the outdoor units per National Electrical Code and local codes.
- For power to the outdoor units, use field-supplied copper wiring that is solid or stranded, and shielded with the wires separately insulated.
- Ground wire should be longer than the common power / communication wires.
- Connect the wiring firmly so the wires cannot be easily pulled out.
- Refer to the inside of the chassis cover for circuit and terminal block diagrams for your model unit.
- Always match color codes of each wire and follow wiring diagram.
- Outdoor unit wiring can be found on the inside of the outdoor unit control cover.

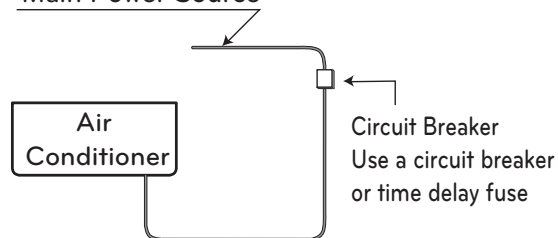
Note:

It is highly recommended to provide a circuit breaker between the power source and the outdoor unit as shown.

Table 39: Circuit Breaker / Fuse Size.

| Outdoor Unit Model | Power Source | Fuse or Breaker Capacity |
|--------------------|--------------|--------------------------|
| LMU18CHV, LMU24CHV | 1Ø, 208-230V | 20A |
| LMU30CHV, LMU36CHV | 1Ø, 208-230V | 25A |
| LMU480HV, LMU540HV | 1Ø, 208-230V | 40A |
| LMU600HV | 1Ø, 208-230V | 45A |

Figure 71: Circuit Breaker Main Power Source



General Communication Cable Specifications

- Multi F Systems: All power wiring / communication cable to be minimum 18 AWG from the outdoor unit to the indoor unit, stranded, shielded or unshielded (if shielded, it must be grounded to the chassis of the outdoor unit only), and must comply with applicable local and national codes.
- Multi F MAX Systems: All power wiring / communication cable to be minimum 16 AWG from the outdoor unit to the BD unit, and 18 AWG from the BD unit to the indoor unit, stranded, shielded or unshielded (if shielded, it must be grounded to the chassis of the outdoor unit only), and must comply with applicable local and national codes.
- For power / communication wires between the Multi F and Multi F MAX outdoor units and the indoor units / BD units (Multi F MAX systems only), use a four (4) conductor, stranded, shielded or unshielded wire. If shielded, the wire must be grounded to the chassis at the outdoor unit only.
- Insulation material as required by local code.
- Rated for continuous exposure of temperatures up to 140°F.
- Firmly attach the cable; provide slack but secure in a way to prevent external forces from being imparted on the terminal block.
- Wiring should be completed without splices.

Note:

- Always verify the communication cable is connected to a communications terminal. Never apply line voltage power to the communication cable connection. If contact is made, the PCBs may be damaged.
- The shield of the communications cable connecting the outdoor unit to the indoor units should be grounded only to the outdoor unit frame.
- Tie the shield of each cable segment together using a wire nut at the indoor unit. Maintain polarity throughout the communication network.
- Position the incoming power to the outdoor unit away from the power / communications cables from the outdoor unit to the indoor unit / branch distribution unit (Multi F MAX systems only).
- ⓧ Never use a common multiple-core communications cable. Each communications bus shall be provided a separate cable (i.e., between outdoor unit and indoor unit).

Outdoor Unit Wiring Connection Guidelines

Best practice dictates using ring or spade terminals to terminate power wiring at the power terminal block

To Install a Ring Terminal:

1. Trim the strand wiring with wire cutters or pliers, then strip the insulation to expose the strand wiring to about 3/8 inch.
2. Using a ring terminal fastener or pliers, securely clamp a ring terminal to each stripped wire end.

To Connect the Wiring to the Terminals:

1. Remove the terminal screws from the (outdoor unit, BD unit, or indoor unit) terminal plate with a screwdriver.
2. Position the ring terminal around the terminal, place the terminal screw in the ring, and tighten to the terminal plate using a screwdriver.

Figure 72: Multi F / Multi F MAX Outdoor and Indoor / Branch Distribution Unit Wiring and Communications Cable Diagram.

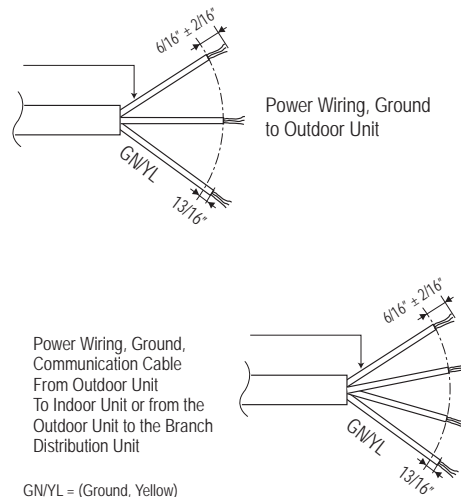


Figure 73: Close up of a Typical Ring Terminal

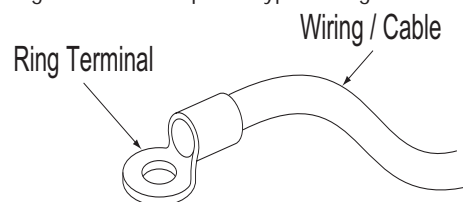
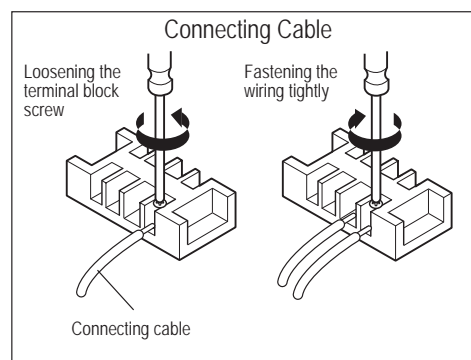


Figure 74: Tightening the Ring Terminal to the Terminal Plate.



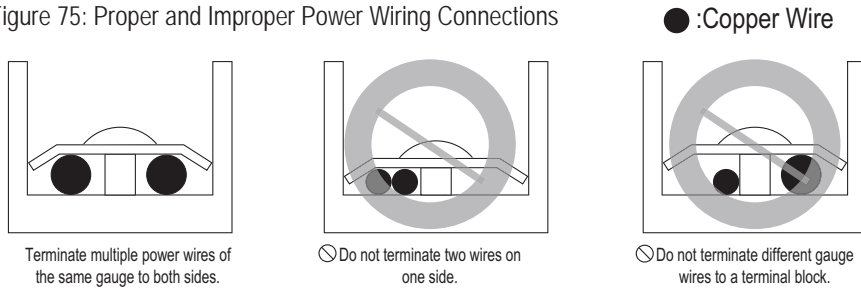
Outdoor Unit Wiring Connection Guidelines, continued.

If ring terminals or spade clips are not available, then:

Note:

- Do not terminate different gauge wires to the power terminal block. Slack in the wiring may generate heat and fire.
- Do not over tighten the connections; overtightening may damage the terminals.
- When terminating wires of the same thickness, follow the instructions demonstrated in the illustrations below.
- Firmly attach the wire; secure in a way to prevent external forces from being imparted on the terminal block.
- Use an appropriately sized screwdriver for tightening the terminals.

Figure 75: Proper and Improper Power Wiring Connections



Note:

- Never apply line voltage power to the communications cable terminal block. If contact is made, the PCBs may be damaged.
- Always include some allowance in the wiring length when terminating. Provide some slack to facilitate removing the electrical panels while servicing.

⚠ WARNING

- If power wires are not properly terminated and firmly attached, there is risk of fire, electric shock, and physical injury or death.
- Never ground the shield of the communications cable to the indoor unit frame or other grounded entities of the building. Failure to properly provide a National Electrical Code-approved earth ground can result in electric shock, physical injury or death.

Connecting the Power Wiring / Communications Cable to the Outdoor Unit

1. Remove the side panel and the conduit panel knockouts.
2. Detach the control cover by loosening and removing the screws.
3. Draw the power wiring to the outdoor unit, and the power wiring / communications cable (connecting cable) to the indoor units or BD unit (Multi F MAX systems only), through field-supplied conduits. Ensure there is enough length to connect the wiring / cables to the terminals on the outdoor unit. Secure the conduit to the outdoor unit using a field-supplied lock nut on the interior of the outdoor unit frame.
4. Properly connect the power wiring, and the power wiring / communications cable (connecting cable) to the correct terminals. Refer to the outdoor unit wiring diagram.
5. To provide strain relief, (separately) secure the power wiring and the power wiring / communications cable (connecting cable) to the outdoor unit with the factory-supplied clamps (up to 35 lbs.). Zip ties can also be used to hold all wiring / cables in place.
6. Re-attach the outdoor unit cover control and side panel to the original position with the screws.

⚠ DANGER

- Do not use damaged or loose power wiring. Do not modify or extend the outdoor unit's power wiring randomly. Ensure that the power wiring will not be pulled nor weight be placed on the power wiring during operation. There is risk of fire, electric shock, and physical injury or death.

Connecting the Power Wiring / Communications Cable to the Outdoor Unit, continued.

Figure 76: Connecting the Power Wiring / Communications Cables to the Outdoor Unit (LMU18-36CHV; LMU480, 540HV).

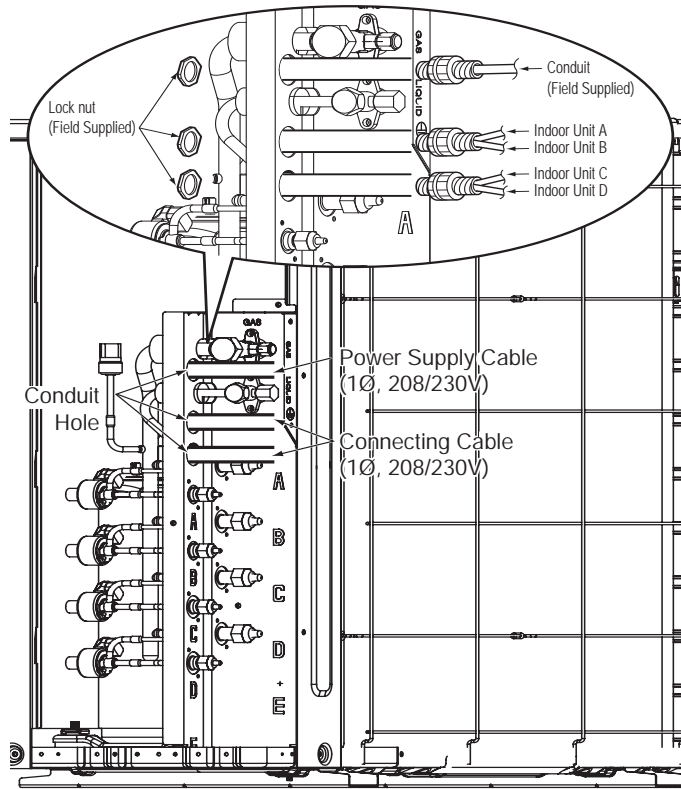
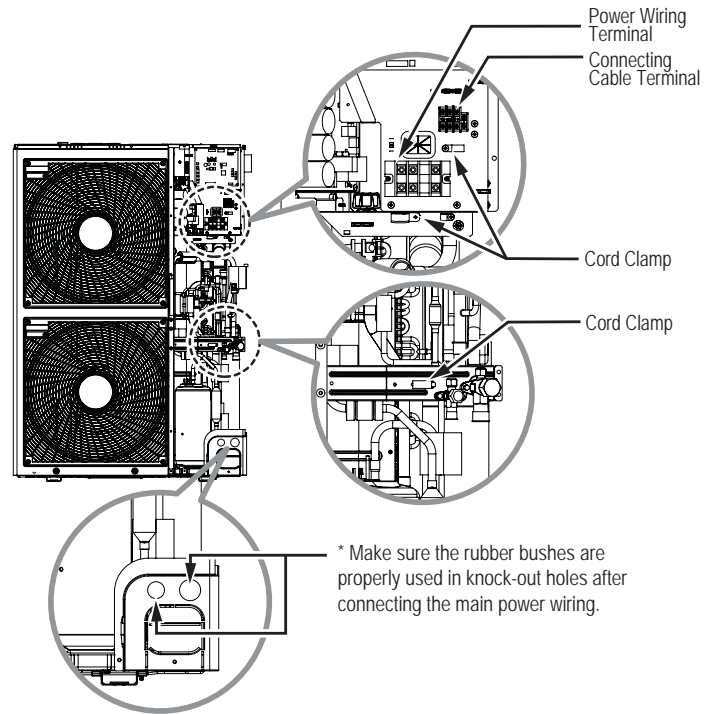


Figure 77: Connecting the Power Wiring / Communications Cables to the Outdoor Unit (LMU600HV).



⚠ WARNING

- Secure all field wiring connections with appropriate wire strain relief. Improperly securing wires will create undue stress on equipment power lugs. Inadequate connections may generate heat, cause a fire and physical injury or death.
- Properly tighten all power lugs. Loose wiring may overheat at connection points, causing a fire, physical injury or death.
- Replace all control box and panel covers. If cover panels are not installed securely, dust, water and animals may enter the outdoor unit, causing fire, electric shock, and physical injury or death.

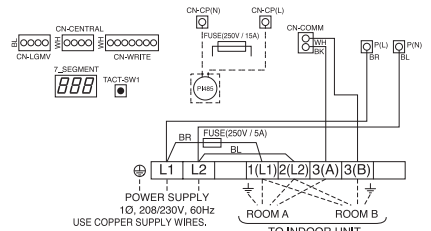
Note:

- The communications cable (connecting cable) from the outdoor unit to the indoor unit should be isolated from the electrical wiring of external devices such as computers, elevators, radio and television broadcasting facilities, and medical imaging offices. Communication problems can arise from electrical noise.
- ⓧ Do not install the power wiring to the outdoor unit and the power wiring / communications cable (connecting cable) to the indoor units in the same conduit. These wiring / cables should have separate conduits that are placed a reasonable distance apart. Communication problems can arise from electrical noise.

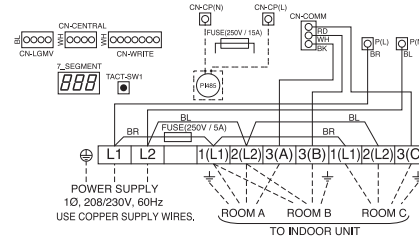
Connecting the Power Wiring / Communications Cable to the Outdoor Unit, continued.

Figure 78: Detailed View of Outdoor Unit Terminal Blocks / Connections.

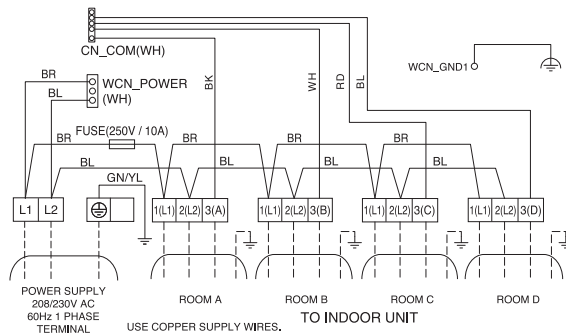
Multi F LMU18CHV



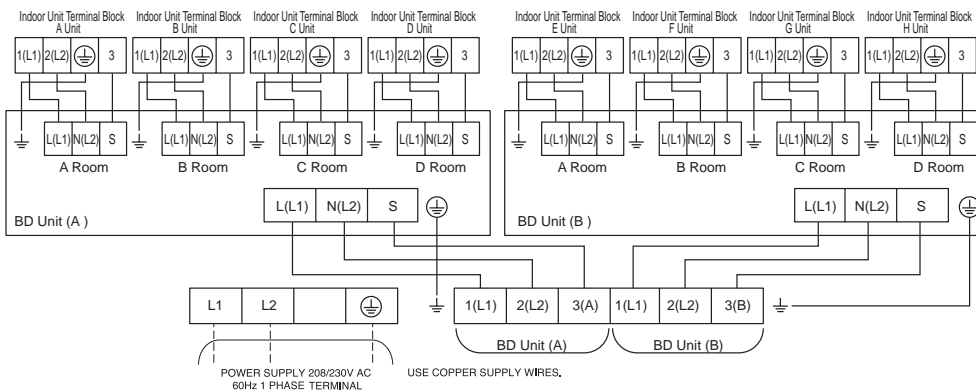
Multi F LMU24CHV



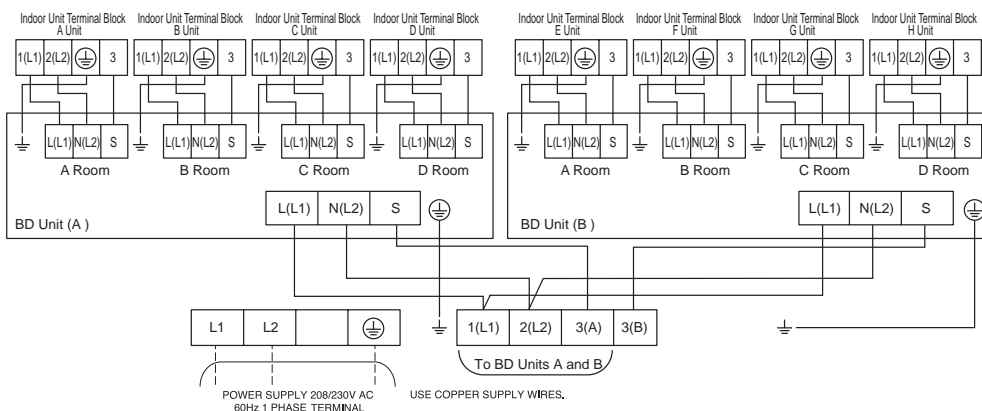
Multi F LMU30CHV and LMU36CHV



Multi F MAX LMU480HV and LMU540HV



Multi F MAX LMU600HV



Connecting the Power Wiring / Communications Cable to Indoor Units

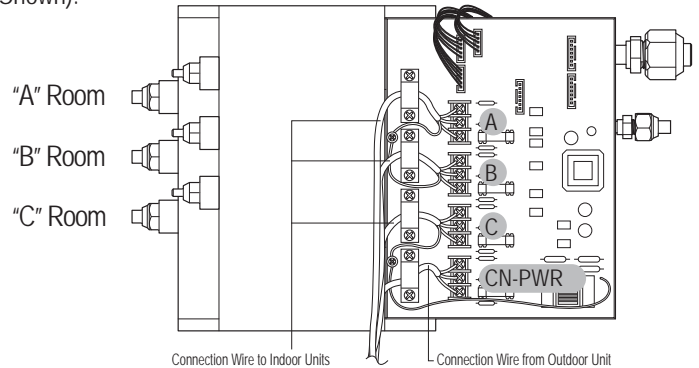
1. Connect power wiring / communications cable (connecting cable) from the outdoor unit to the individual indoor unit terminals following the wiring diagrams on the outdoor unit and indoor unit control covers.
2. Ensure that the terminal board numbers (A, B, C; 1, 2, 3) and wiring color on the outdoor unit matches the terminal number and wiring color on the indoor unit. (Terminal board numbers are arranged from top to bottom in order from 1 to 3.)
3. Provide strain relief by securing the wiring / cable to the indoor unit with the factory-supplied clamps.
4. For more installation information for specific indoor units, refer to the separate indoor unit installation manuals on www.lg-dfs.com.

Connecting the Power Wiring / Communications Cable to the Branch Distributor (BD) Unit (Multi F MAX Systems Only)

General Instructions

- Always connect power wiring / communications cable matching the BD unit terminals to their respective indoor units (Example for three-port BD Unit PMBD3630: A, B, and C).
- Follow the instructions on the nameplates and connect wiring / cables of the outdoor unit and indoor units to the correct terminals (1, 2, 3). Always attach each ground wire separately to a grounding screw.
- After completion, secure wiring with wire clamps. Secure wiring firmly to the indoor unit.

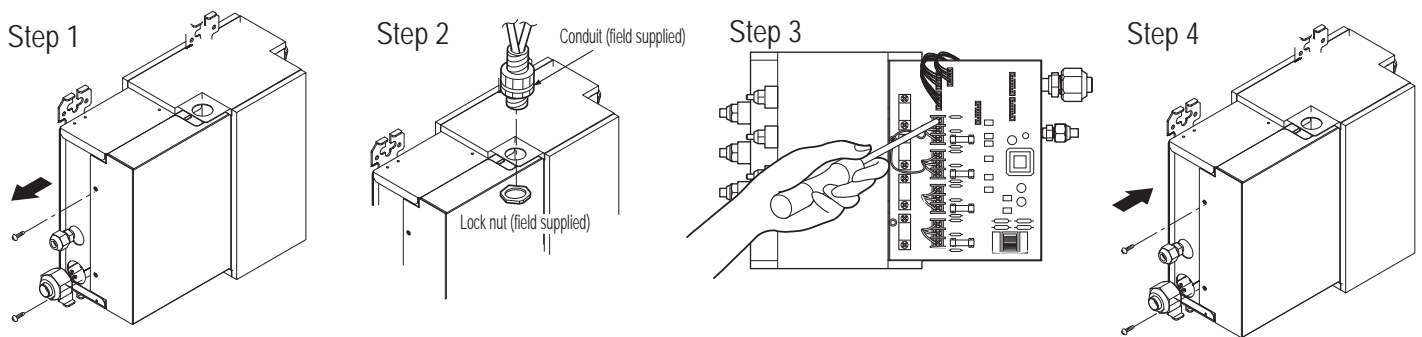
Figure 79: Interior View of a BD Unit (Three-Port PMBD3630 Example Shown).



BD Unit Wiring Connection Procedure

1. Remove the BD unit control cover. Unscrew the two (2) screws, and slide the cover off the BD frame following the arrows in the diagram (Step 1).
2. Draw the power wiring / communications cable through the field-supplied conduit so there is enough length to connect wiring / cable to the terminals on the BD unit. Secure conduit to the BD unit using a field-supplied lock nut on the interior of the BD unit frame (Step 2).
3. Connect wiring / cable from the outdoor unit to the BD unit terminals, and from the BD unit terminals to the indoor unit terminals following the wiring diagram on the outdoor unit control cover (Step 3). Allow 11-13/16 inches of slack in the wire harness. Attach wiring / cable to the BD unit with clamps at four (4) locations.
4. Replace the BD unit control cover following the arrows in the diagram. Tighten the two (2) screws to finish (Step 4).

Figure 80: BD Unit Wiring Steps.



⚠ WARNING

⊘ Do not use tapped wires, extension cords, or starburst-type connections as they may cause overheating, fire, electric shock, physical injury or death.

Note:

Always refer to the circuit diagram on the inside of the outdoor unit control cover.

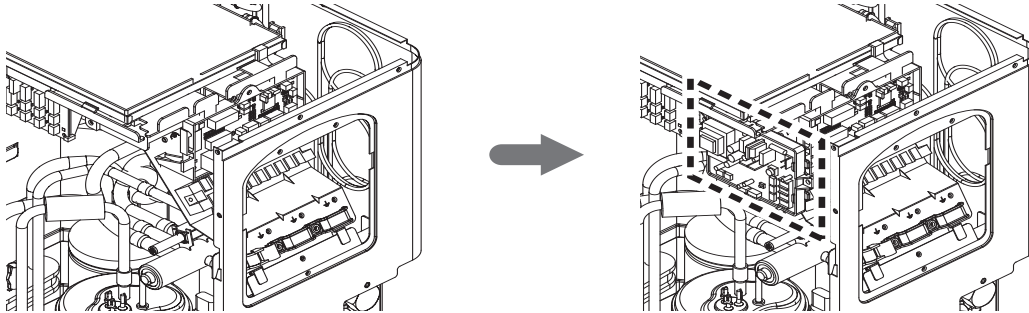
PI485

PI485 V-net Control Integration Board for Outdoor Units adapt Multi F, Multi F MAX systems to a LG VRF system central protocol for integration with LG central controllers. The PI485 is installed in the Multi F / Multi F MAX outdoor unit. For more information on PI485 installation, see the PI485 installation manual.

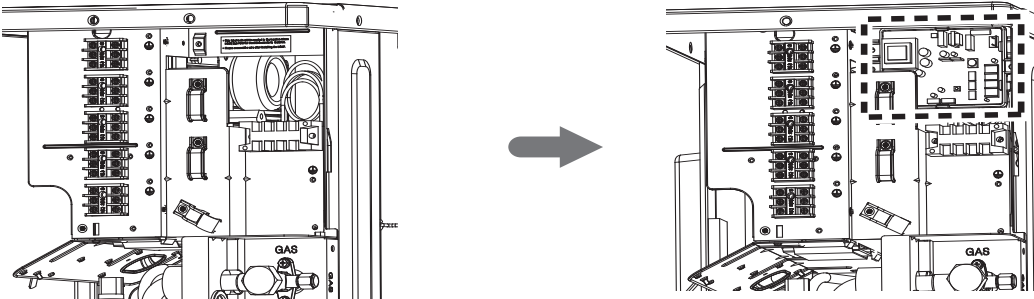
Figure 81: PI485 Board (Appearance may differ depending on model).



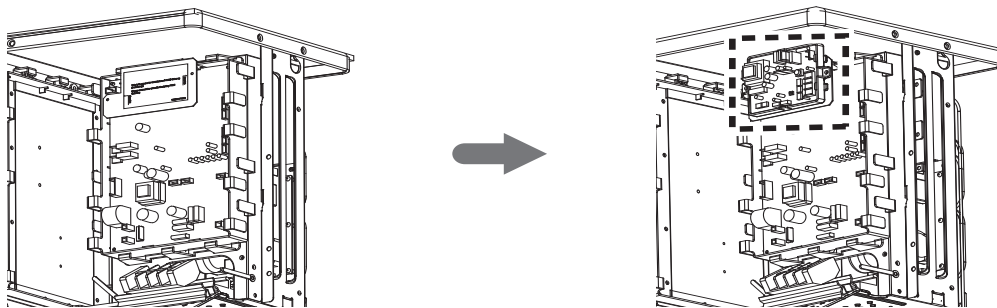
Multi F LMU18CHV, LMU24CHV



Multi F LMU30CHV, LMU36CHV



Multi F MAX LMU480HV, LMU540HV



Multi F MAX LMU600HV



Test Run

After checking the system for leaks and performing the evacuation procedure, perform a test run. Follow the guidelines below for proper procedure.

Before the Test Run

1. Check that all condensate tubing, refrigerant piping and power wiring / communications cables are properly connected.
2. Make sure that the gas and liquid service valves are fully open.

Installing the Remote Controller Batteries

As part of the test run, the batteries need to be inserted into the remote controller, and the remote controller needs to be powered on to operate the indoor units. To insert the batteries follow the steps below. For information on using the remote controller, refer to its owner's manual.

1. The remote controller needs two AAA (1.5V) batteries for operation. Remove the battery cover from the back of the remote controller by pushing downward on the tab at the top of the battery cover and then lift up to remove.
2. Insert the two new batteries. Align batteries by the (+) and (-) sides (the interior battery compartment of the remote controller will have clear markings for the (+) and (-) placement).
3. Verify that the batteries have "clicked" into the compartment and are firmly engaged with the contacts on either side of them.
4. Reattach the back cover of the remote controller.
5. Proceed with powering on the remote controller and usage as needed.

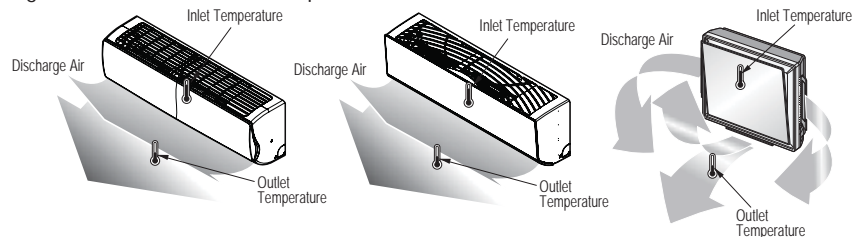
Test Run Procedure

1. Start up the system and perform a test run. Operate the system in cooling mode for 15 to 20 minutes.
2. Evaluate performance as the system runs, verifying the outdoor unit and all indoor units and BD units (Multi F MAX systems only) are working properly. Make notes as needed to address any issues that might be found.
 - Check the system refrigerant charge:
 - Measure the pressure from the gas side service valve.
 - Measure the indoor unit inlet and outlet air temperatures. See table below for the optimum condition of the gas side pressure (system is in cooling mode).

Table 40: Optimum Conditions of the Gas Side Pressure.

| Refrigerant Type | Outside Ambient Temperature | Gas Side Service Valve Pressure |
|------------------|-----------------------------|---------------------------------|
| R410A | 95°F | 113~142 psig |

Figure 85: Inlet and Outlet Temperature Locations on Various Indoor Units.



Note:

If the pressure is >142psig, the system is most likely overcharged, and refrigerant should be removed. If the pressure is <113 psig, the system is most likely undercharged and refrigerant should be added.

Figure 83: Piping Connection on the Outdoor Unit (May Differ Depending on Outdoor Unit Model).

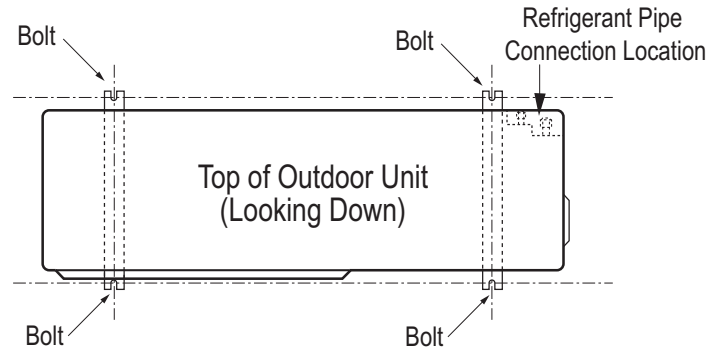
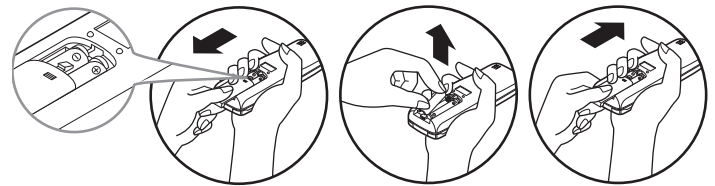


Figure 84: Installing the Remote Controller Batteries.



Outdoor Unit DIP Switch Settings

System must be powered off, and then turned back on to apply DIP switch settings.

⚠ WARNING

Turn off the circuit breaker or shut the power source of the product down before setting the DIP switch. There is risk of physical injury or death due to electric shock.

Note:

- Unless the applicable DIP switch is set properly, the system may not work.
- If a specific function is desired, request that the installer set the appropriate DIP switch during installation.
- Only the first four DIP switches are functional on the LMU480, 540, 600HV.

Table 41: DIP Switch Settings and Functionalities.

| DIP Switch Setting | Function |
|---|--|
|  | Normal Operation (No Function) |
|  | Forced Cooling Operation |
|  | Wiring Error Check |
|  | Reducing Power Consumption (Step 1) |
|  | Reducing Power Consumption (Step 2) |
|  | Mode Lock (Cooling) |
|  | Mode Lock (Heating) |
|  | Night Quiet Mode (Step 1) |
|  | Night Quiet Mode (Step 2) |
|  | Mode Lock (Cooling) + Night Quiet Mode (Step 1) |
|  | Mode Lock (Cooling) + Night Quiet Mode (Step 2) |
|  | Reducing Power Consumption (Step 1) with Mode Lock (Cooling) |
|  | Reducing Power Consumption (Step 2) with Mode Lock (Cooling) |
|  | Reducing Power Consumption (Step 1) with Mode Lock (Heating) |
|  | Reducing Power Consumption (Step 2) with Mode Lock (Heating) |

Figure 86: LMU18~36CHV Outdoor Unit DIP Switches (in Normal Operation Setting).

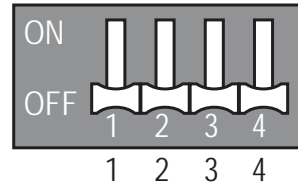


Figure 87: LMU480-540HV Outdoor Unit DIP Switches (in Normal Operation Setting).

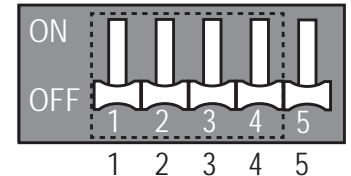
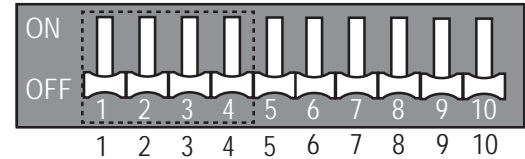


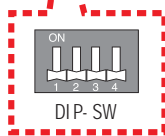
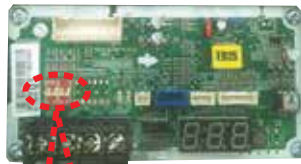
Figure 88: LMU600HV Outdoor Unit DIP Switches (in Normal Operation Setting).



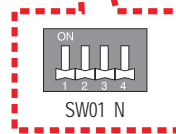
Location of DIP Switches on Multi F and Multi F MAX Outdoor Units

Figure 89: Multi F / Multi F MAX Outdoor Unit DIP Switch Locations.

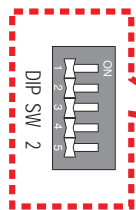
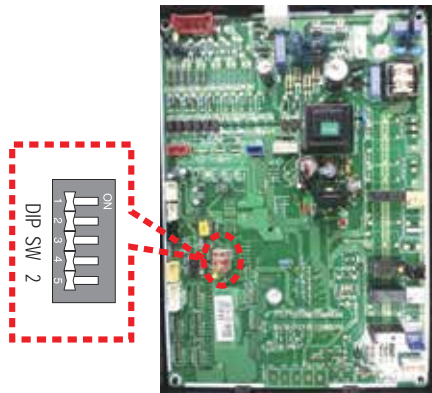
Multi F LMU18CHV and LMU24CHV



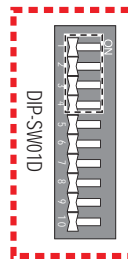
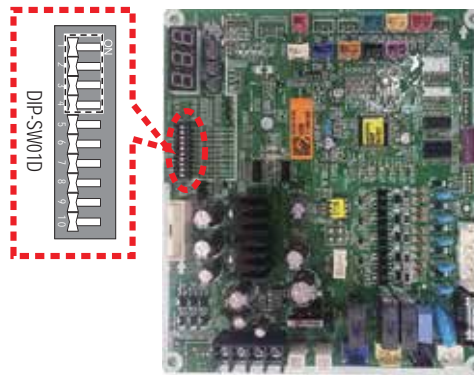
Multi F LMU30CHV and LMU36CHV



Multi F MAX LMU480HV and LMU540HV



Multi F MAX LMU600HV



Forced Cooling Operation Function

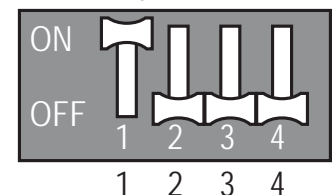
Use to add refrigerant to the system when outside ambient temperatures are cool (ex.: winter).

1. Shut power down to the system.
2. Set DIP Switch 1 to ON.
3. Turn power on to the system.
4. Verify that the Red LED on the outdoor unit PCB is ON (indicates indoor units are in forced cooling operation).
5. Add refrigerant.

Note:

- If the green LED light on the outdoor unit PCB is ON, it indicates the compressor is OFF due to low pressure in the system.
- Turn DIP Switch 1 to OFF after finishing (Normal Operation setting).
- Only the first four DIP switches are functional on the LMU480, 540, 600HV.

Figure 90: Forced Cooling DIP Switch Setting.



Wiring Error Check

Use to verify if wiring is properly installed.

1. Shut power down to the system.
2. Set DIP Switch 2 to ON.
3. Turn power on to the system.
4. Check if the Red and Green LEDs on the outdoor unit PCB are ON (indicate indoor units are in forced operation mode).
5. If the wiring is correctly installed, the Green LED will light up. If the wiring is incorrectly installed, the Red and Green LEDs will blink, indicating which part of the system is in error.
 - Red LED = Piping Number
 - Green LED = Wiring Number (Room)

Example: If the Red LED blinks twice and the Green LED blinks three times, the second piping to the third room is in error (see at right).

Note:

- If the indoor unit(s) are not communicating properly to the outdoor unit, the Wiring Error Check cannot operate correctly.
- Only the part of the system in error will be displayed. System will operate correctly after the error is fixed.
- If outdoor and indoor temperatures are too low (ex.: winter), the wiring error check function will not operate (Red LED is ON).
- Turn DIP Switch 2 to OFF after finishing (Normal Operation setting).
- Only the first four DIP switches are functional on the LMU480, 540, 600HV.

Figure 91: Wiring Error Check DIP Switch Setting.

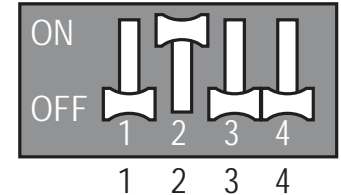
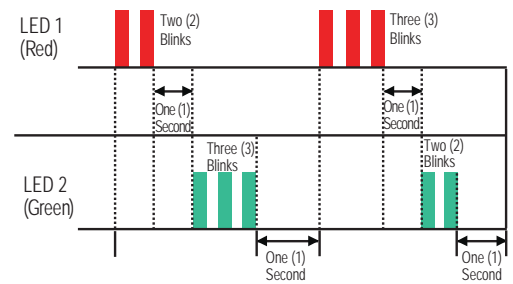


Figure 92: Wiring Error Check Example.



Reducing Power Consumption

Enables more efficient system operation by reducing the maximum power consumption value (reducing the MCA).

1. Shut power down to the system.
2. For Step 1, set only DIP Switch 3 to ON. For Step 2, set only DIP Switch 4 to ON.
3. Turn power on to the system.

Figure 93: Reducing Power Consumption Chart.

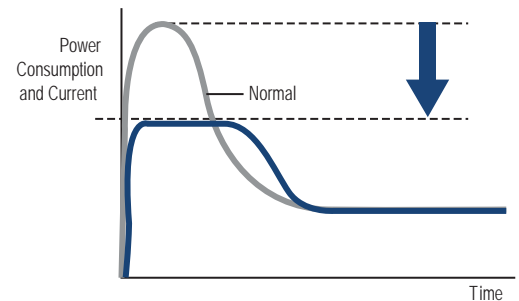
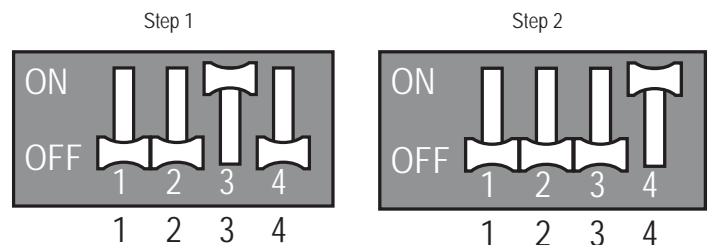


Table 42: Reducing Power Consumption Current Levels.

| Phase | 1Ø | | |
|------------|----------------------------------|----------------------------------|---|
| Model | Multi F LMU18CHV, LMU24CHV | Multi F LMU30CHV, LMU36CHV | Multi F MAX LMU480HV, LMU540HV, LMU600HV |
| Step 1 (A) | 9 | 13 | 22 |
| Step 2 (A) | 8 | 11 | 21 |

Figure 94: Reducing Power Consumption DIP Switch Settings.



Note:

- Reduced Power Consumption reduces outdoor unit capacity.
- Only the first four DIP switches are functional on the LMU480, 540, 600HV.

Reducing Power Consumption with Mode Lock

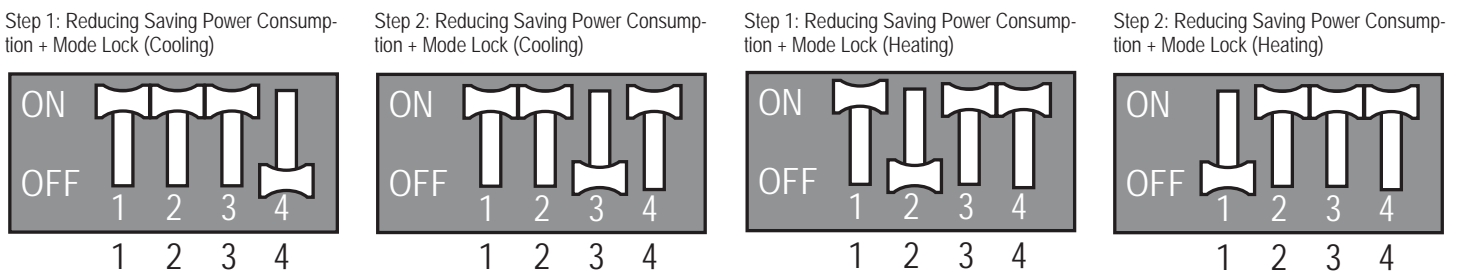
Enables more efficient system operation by lowering the maximum power consumption value, as well as locks the mode of operation (Example: In a cooling-only server room application where permission to adjust the system mode is highly limited). Changing modes can cause a change in compressor frequency, which would cause problems with the setting. As such, if this mode is used, it is locked in either cooling or heating. The function is rarely, if ever, used.

1. Shut power down to the system.
2. Set DIP Switches as indicated below, following the steps and chosen mode.
3. Turn power on to the system.

Note:

Only the first four DIP switches are functional on the LMU480, 540, 600HV.

Figure 95: Saving Power Consumption with Mode Lock DIP Switch Settings.



Night Quiet Mode

Lowers the operation sound of the outdoor unit by changing the compressor frequency and fan speeds. Night quiet mode initiates eight (8) hours after the highest outdoor air temperature is measured, then is active for nine (9) hours.

1. Shut power down to the system.
2. For Step 1, set only DIP Switches 2 and 3 to ON. For Step 2, set only DIP Switches 1 and 4 to ON.
3. Turn power on to the system.

Night Quiet Mode with Mode Lock

Lowers the operation sound of the outdoor unit by changing the compressor frequency and fan speeds, as well as locks the mode of operation. Changing modes can cause a change in compressor frequency, which would cause problems with the setting. As such, if this mode is used, it is locked in either cooling or heating. The function is rarely, if ever, used. Night quiet mode initiates eight (8) hours after the highest outdoor air temperature is measured, then is active for nine (9) hours.

1. Shut power down to the system.
2. For Step 1, set only DIP Switches 2 and 4 to ON. For Step 2, set DIP Switches 1 and 3 to ON.
3. Turn power on to the system.

Note:

- If compressor frequency and fan speed are decreased, cooling capacity also may decrease accordingly.
- Night Quiet Mode can only be used when system is in cooling operation.
- Change the DIP switches if Night Quiet Mode is no longer desired.
- If indoor unit operation is set by the fan speed "Power", Night Quiet Mode will not function until fan speed "Power" is changed.
- Only the first four DIP switches are functional on the LMU480, 540, 600HV.

Figure 96: Night Quiet Mode DIP Switch Settings.

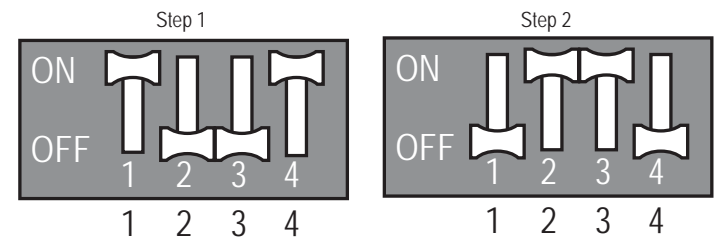
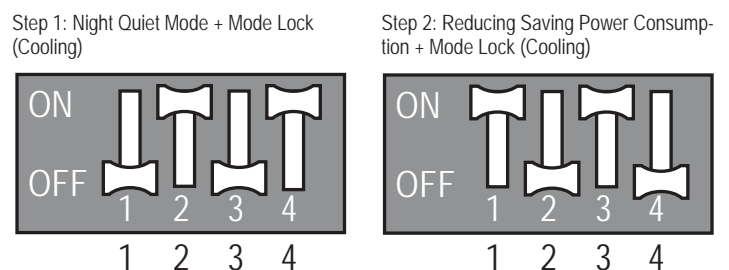


Figure 97: Night Quiet Mode with Mode Lock DIP Switch Settings.



Mode Lock

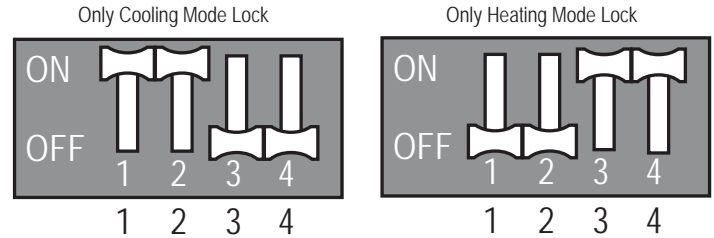
Prevents mixed mode operation (mode change) in applications where only one mode is necessary.

1. Shut power down to the system.
2. For Only Cooling Mode Lock, set only DIP Switches 1 and 2 to ON. For Only Heating Mode Lock, set only DIP Switches 3 and 4 to ON.
3. Turn power on to the system.

Note:

Only the first four DIP switches are functional on the LMU480, 540, 600HV.

Figure 98: Mode Lock DIP Switch Settings.



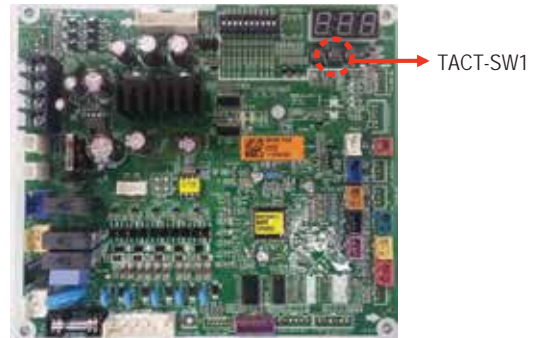
PCB Display (Multi F LMU18-24CHV and LMU600HV Models Only)

For Multi F LMU18CHV, LMU24CHV, and LMU600HV outdoor units, the cycle data can be checked without using LG Monitoring View (LGMV) Diagnostic Software by pushing TACT-SW1. See below for the types of cycle information that will be displayed in LGMV. After first page is displayed, the second page will be subsequently displayed.

Figure 99: Location of TACT-SW1 (LMU18-24CHV).



Figure 100: Location of TACT-SW1 (LMU600HV).



⚠ WARNING

Protect fingers / hands with a non-conducting material before pushing TACT-SW1. There is risk of physical injury or death due to electric shock.

Table 43: PCB Display Information.

| TACT-SW1 No. of Pushes | Description | Display | | |
|---------------------------|------------------------------|----------|------------|-------------|
| | | Example | First Page | Second Page |
| One (1) Time | Low Pressure | 890kpa | "LP" | "89" |
| Two (2) Times | High Pressure | 2,900kpa | "HP" | "290" |
| Three (3) Times | Discharge Temperature | 85°C | "DS" | "85" |
| Four (4) Times | Condenser Outlet Temperature | -10°C | "CS" | "-10" |
| Five (5) Times | Suction Temperature | -10°C | "SS" | "-10" |
| Six (6) Times | Outdoor Unit Air Temperature | -10°C | "AS" | "-10" |
| Seven (7) Times | Current | 15A | "A" | "15" |
| Eight (8) Times | Voltage | 230V | "V" | "230" |
| Nine (9) Times | Compressor Hz | 100Hz | "F" | "100" |
| Ten (10) Times | DC Link Voltage | 230V | "dc" | "230" |

LG Monitoring View (LGMV) Diagnostic Software

LGMV software (PRCTSL1 and PRCTFE1) allows the service technician or commissioning agent to connect a computer USB port to the Multi F / Multi F MAX system's main printed circuit board (PCB) using an accessory cable without the need for a separate interface device. The monitoring screen for LGMV allows the user to view the following real time data on one screen:

- Actual inverter compressor speed
- Target inverter compressor speed
- Actual outdoor fan speed
- Target outdoor unit fan speed
- Actual superheat
- Target superheat
- Actual subcooler circuit superheat
- Target subcooler circuit superheat
- Main EEV position
- Subcooling EEV position
- Inverter compressor current transducer value
- Outdoor air temperature
- Actual high pressure/saturation temperature
- Actual low pressure/saturation temperature
- Suction temperature
- Inverter compressor discharge temperature
- Front outdoor coil pipe temperature
- Back outdoor coil pipe temperature
- Liquid line pipe temperature
- Subcooler inlet temperature
- Subcooler outlet temperature
- Average indoor unit (IDU) pipe temperature
- Inverter compressor operation indicator light
- Liquid injection valves' operation indicator lights
- Hot gas bypass valve operation indicator light
- Four-way reversing valve operation indicator light
- Pressure graph showing actual low pressure and high pressure levels
- Error code display
- Operating mode indicator
- Target high pressure
- Target low pressure
- PCB (printed circuit board) version
- Software version
- Installer name
- Model number of IDUs
- Site name
- Total number of connected IDUs

Figure 101: MV Real-time Data Screen

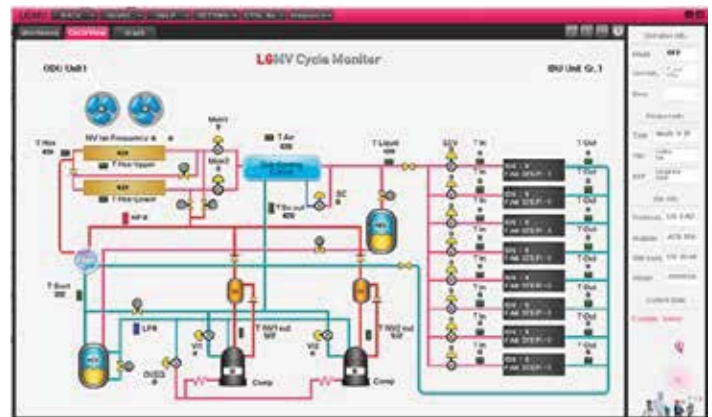


- Communication indicators
- IDU capacity
- IDU operating mode
- IDU fan speed
- IDU EEV position
- IDU room temperature
- IDU inlet pipe temperature
- IDU outlet pipe temperature
- IDU error code

Additional screens can be accessed by tabs on the main screen. Additional screens include the following:

1. Cycleview: Graphic of internal components including:
 - Compressors showing actual speeds
 - EEVs
 - IDUs
 - Temperature and pressure sensors
 - Four-way reversing valve
2. Graph: Full screen graph of actual high and low pressures and high and low pressure limits. A sliding bar enables user to go back in time and view data.
3. Control FTN: Enables user to turn on IDUs in 1.8 °F increments.
4. Useful Tab
 - Unit Conversion: Converts metric values to imperial values.

Figure 102: MV Cycleview



Note:

Images on these pages are examples of LGMV screenshots. Actual images may differ depending on the version of the software and the unit installed.

LG Monitoring View (LGMV) Diagnostic Software and Cable - Continued

5. Data

- Data Saving Start: Recording of real time data to a separate file created to be stored on the user's computer.
- Data Loading Start: Recorded data from a saved ".CSV" file can be loaded to create an LGMV session.

6. Monitoring

- Electrical: The lower half of main screen is changed to show Inverter Compressor Amps, Volts, Power Hz, Inverter control board fan Hz.

Figure 103: MV Control Indoor Units Screen



Error Codes

LGMV software helps the service technician or commissioning agent to troubleshoot system operation issues by displaying malfunction codes. These error codes can be seen on the main screen of the LGMV software program. For an overview of Multi F / Multi F MAX system error codes, see Error Codes section. For detailed information on how to troubleshoot individual error codes, see the Multi F / Multi F MAX Service Manual.

Figure 104: Error Code Screen



The software is available in a high version with all of the features listed above. The low version has all features as the high version without Target High Pressure and Target Low Pressure values shown on main screen.

In lieu of connecting to the outdoor unit, user has the option to connect to IDU with the use of a USB to RS-485 connector kit. When connected through IDU, user will not be able to record data.

This software can be used to both commission new systems and troubleshoot existing systems. LGMV data can be recorded to a ".CSV" file and emailed to an LG representative to assist with diagnostic evaluations.

Recommended Minimum PC Configuration:

- CPU: Pentium® IV 1.6 GHz
- Main Memory: 1G
- Operating System: Windows® XP/Vista/7 32 bit (recommended), 64 bit
- Hard Disk: 600 MB when operating
- MS Office 2003, 2007 (recommended) for select reporting functions

Note:

Images on these pages are examples of LGMV screenshots. Actual images may differ depending on the version of the software and the units installed.

TROUBLESHOOTING

Self Diagnosis Functions

MULTI F
MULTI F MAX

LG SIMS

The SIMS WLAN module and the smart phone app together provide monitoring and troubleshooting capability for LG Multi F / Multi F MAX systems. SIMS functions only with LG Duct Free products.

SIMS can display and graph operational data for the air conditioner system including the indoor unit and the outdoor unit. SIMS also displays error codes and a troubleshooting guide. A full copy of the LG SIMS Smart Inverter Monitoring System User's Manual is available on the www.lghvac.com website.

To use SIMS you must be a trained HVAC service technician familiar with variable refrigerant flow (VRF) systems in general and with LG's Duct Free System products. You should understand the inverter air conditioning operation cycle, the meaning of the data displayed by SIMS, and how to use the data to troubleshoot the system.

Figure 106 shows a Multi F configuration used with the SIMS module and app. LG SIMS can also be used with Single Zone one-to-one configurations such as the Single Zone Wall Mount systems.

Figure 105: LG SIMS App and WLAN Module



Figure 106: SIMS WLAN Module to Typical DFS System



⚠ WARNING

High voltages capable of causing death are used in this equipment. Outdoor unit power remains connected during this procedure. Take extreme caution not to touch electrical components or connections. Failure to observe this warning can result in death or severe injury.

Note:

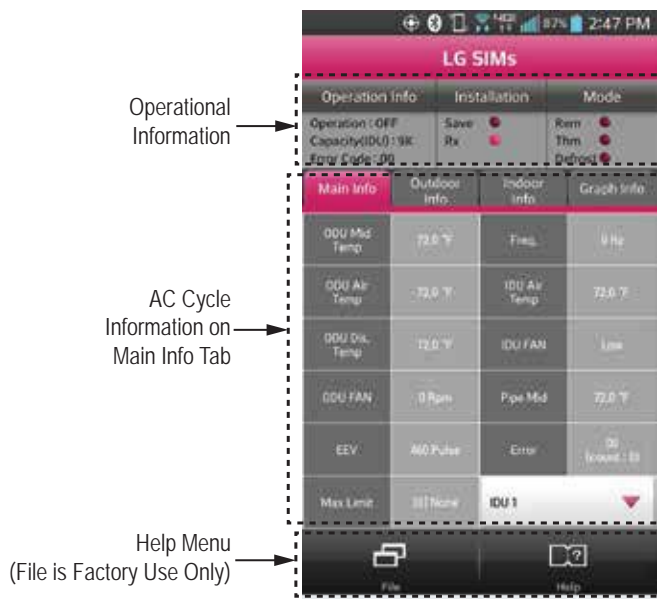
- The Duct Free System air conditioning system must run for at least 15–20 minutes before data collected by SIMS 2.0 is valid for troubleshooting.
- The free SIMS app must be correctly installed on your smart phone before using SIMS.
- Some ODUs have an LGMV extension cable accessed by removing the side handle cover. If the ODU does not have this extension cable, access the LGMV connector by removing the top cover of the ODU.

SIMS App Main Info Screen

The main screen is the first screen displayed after wireless connection is established. Tap the Main Info tab to display current readings regarding your indoor and outdoor unit(s). The Operational Info area of the screen will show active functions or modes by illuminating the light to the right of the function.

Additional Help information can be accessed by tapping the Help Menu buttons at the bottom of this screen.

Figure 107: SIMS App Main Info Screen



SIMs App Screens



Outdoor Info/Component Screen

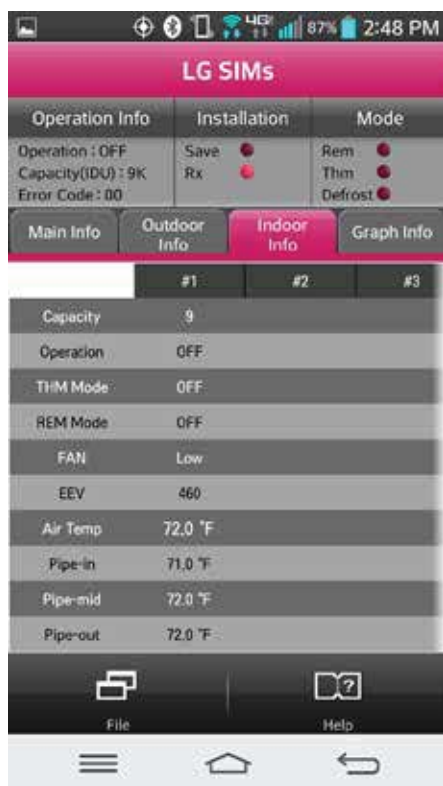
Displays the following information:

- Frequency
- FAN1 RPM
- FAN2 RPM
- DC Link
- Current
- Voltage
- EEV Mode
- Restart Timer
- Comp Mode
- EEV

Outdoor Info/Temperature Screen

Displays the following information:

- Inv TD
- Suction
- Discharge
- Cond Mid
- Cond Out
- Heatsink
- Air Temp



Indoor Info Tab

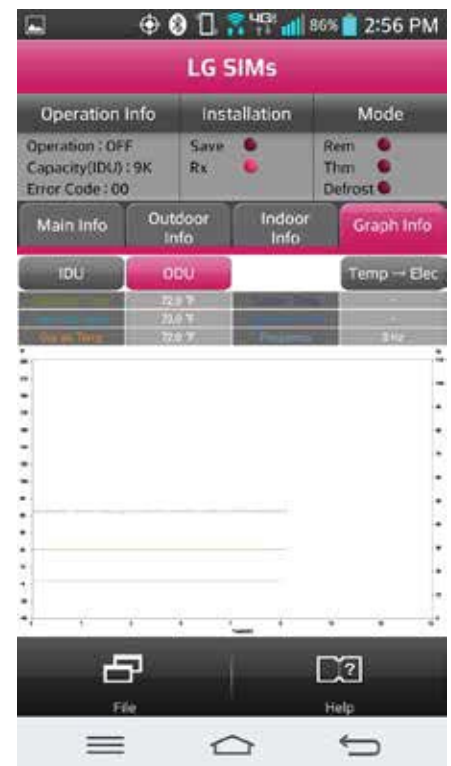
Displays the following information:

- Frequency
- Operation
- THM Mode
- REM Mode
- FAN
- EEV
- Air Temp
- Pipe-in
- Pipe-mid
- Pipe-out

Graph Info Tab

This tab, has three sub sections:

- IDU - Indoor Unit Temperature graph. Displays IDU information in graph format. Information displayed is for the IDU # selected on the Main screen.
- ODU - Outdoor Unit Temperature and Frequency graph. Displays ODU information in graph format.
- ODU Electric - Outdoor Unit Electric data graph is displayed.



Troubleshooting Using Error Codes

Refer to Tables 44 and 45 for error codes that are generated from the indoor and outdoor units. These codes indicate different types of unit failures, assist in self-diagnosis, are the most common that will manifest through these units. Error codes are displayed on indoor unit LEDs, wired remote controllers, the outdoor unit PCB, and through LG Monitoring View (LGMV) diagnostic software.

Systems may generate additional codes not listed here. Contact LG Support if these types of errors are seen and a simple power down and boot up has not corrected the issue. Do not attempt to fix the system yourself.

- If two or more errors occur simultaneously, the highest error code number is displayed first.
- After error is resolved, the error code does not display.

Decoding the Error Display

See images and table below for indoor unit error codes, location of LEDs, and operation status.

The first and second number on the LED indicates error number. Example: 21 = LED1 (Red light) 2x blink, LED2 (Green light) 1x blink.

Error Code Nomenclature Definitions

- MICOM: Non-volatile memory chip where unit setup information is stored.
- EPROM: Non-volatile memory chip where device identification, size, and factory defined default component operating parameters are stored.

Figure 108: Standard Wall-Mounted Indoor Unit LEDs.

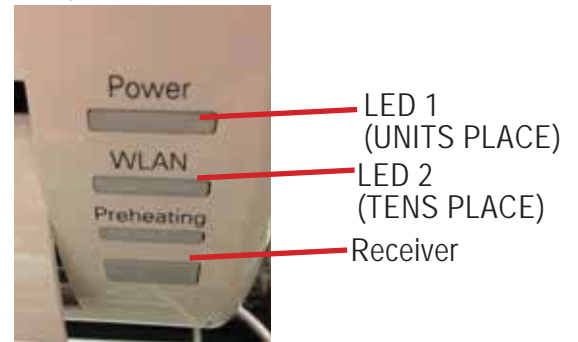


Figure 109: Art Cool Mirror Wall-Mounted Indoor Unit LEDs.

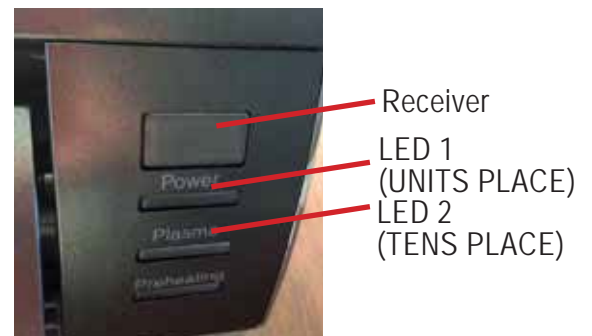


Figure 110: Ceiling Cassette Indoor Unit LEDs.

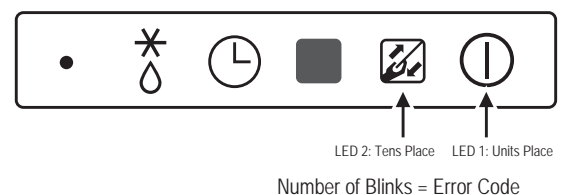


Table 44: Indoor Unit Error Codes.

| Error Code | Description | Indoor Unit Operation Status |
|------------|---|------------------------------|
| 00 | No error | ON |
| 01 | Indoor unit room temperature sensor error | OFF |
| 02 | Indoor unit inlet pipe sensor error | OFF |
| 03 | Controller error | OFF |
| 04 | Drain pump error (optional) | OFF |
| 05 | Communication error between indoor unit and outdoor units | OFF |
| 06 | Indoor unit outlet pipe sensor error | OFF |
| 07 | Different mode operation error | OFF |
| 09 | Indoor unit EPROM error | OFF |
| 10 | Indoor unit BLDC motor fan lock | OFF |

Table 45: Outdoor Unit Error Codes.

| Error Code | Description | No. of Times Outdoor Unit LEDs Blink | | Outdoor Operation Status |
|------------|--|--------------------------------------|---------------|--------------------------|
| | | LED01 (Red) | LED02 (Green) | |
| 21 | DC Peak (IPM Fault); Compressor DC voltage was too high | 2X | 1X | OFF |
| 22 | Current Transformer2 (CT2) error; Alternating current (AC) input too high | 2X | 2X | OFF |
| 23 | DC Link Low Voltage (DC Link Voltage is <140VDC) | 2X | 3X | OFF |
| | DC Link High Voltage (DC Link Voltage is >420VDC) | | | |
| 25 | AC Low / High Voltage | 2X | 5X | OFF |
| 26 | DC Compressor Position Error (Compressor failed to start properly) | 2X | 6X | OFF |
| 27 | PSC / PFC Fault; Input current to inverter compressor PCB is too high | 2X | 7X | OFF |
| 29 | Current to inverter compressor is too high | 2X | 9X | OFF |
| 32 | Inverter compressor discharge pipe (D-Pipe) temperature is too high | 3X | 2X | OFF |
| 35 | Low Pressure Error; Pressure dropped below recommended limits | 3X | 5X | OFF |
| 39 | Communication Error between PFC MICOM and Inverter MICOM | 3X | 9X | OFF |
| 40 | CT Sensor Error; Thermistor is disconnected or has shorted out | 4X | - | OFF |
| 41 | Inverter compressor discharge pipe (D-Pipe) sensor is disconnected or has shorted out | 4X | 1X | OFF |
| 43 | High pressure sensor is disconnected or has shorted out | 4X | 3X | OFF |
| 44 | Outdoor air sensor is disconnected or has shorted out | 4X | 4X | OFF |
| 45 | Mid-pipe thermistor of outdoor unit condenser is disconnected or has shorted out | 4X | 5X | OFF |
| 46 | Outdoor unit suction piping thermistor is disconnected or has shorted out | 4X | 6X | OFF |
| 48 | Outlet piping (liquid) of condenser is disconnected or has shorted out | 4X | 8X | OFF |
| 51 | Combination ratio (capacity) is out of range; Total nominal indoor unit capacity is <50% or >130% of the outdoor unit capacity | 5X | 1X | OFF |
| 53 | Communication failure between outdoor unit and indoor unit(s) | 5X | 3X | OFF |
| 54 | Outdoor unit is not wired properly (ex: reversed phase) | 5X | 4X | OFF |
| 60 | Outdoor unit printed circuit board (PCB) EPROM check sum error | 6X | - | OFF |
| 61 | Condenser coil thermistor temperature is too high | 6X | 1X | OFF |
| 62 | Outdoor unit inverter compressor PCB heat sink temperature is too high | 6X | 2X | OFF |
| 65 | Heat sink thermistor is disconnected or has shorted out | 6X | 5X | OFF |
| 67 | Outdoor unit brushless direct current (BLDC) fan motor lock error | 6X | 7X | OFF |
| 73 | Outdoor unit PFC overcurrent (peak) error | 7X | 3X | OFF |

Cautions for Refrigerant Leaks / Introduction

ASHRAE Standards 15 and 34 offer guidelines that address refrigerant safety and the maximum allowable concentration of refrigerant in an occupied space. Refrigerant will dissipate into the atmosphere, but a certain volume of air is required for this to occur safely. For R410A refrigerant, the maximum allowable concentration is 0.026 lbs./ft³ per 1,000 ft³ of air in an occupied space. Buildings with twenty-four (24) hour occupancy allow half of that concentration.¹

ASHRAE Standards 15 and 34 assume that if a system develops a leak, its entire refrigerant charge will dump into the area where the leak occurs. To meet ASHRAE Standards 15 and 34, calculate the refrigerant concentration that may occur in the smallest room volume on the system, and compare the results to the maximum allowable concentration number (see below for information on how to calculate the refrigerant concentration).¹ Also consult state and local codes in regards to refrigerant safety.

⚠ WARNING

Verify the maximum refrigerant concentration level in the space where the indoor unit will be mounted meets the concentration limit for the application. If the refrigerant leaks and safety limits are exceeded, it could result in personal injuries or death from oxygen depletion.

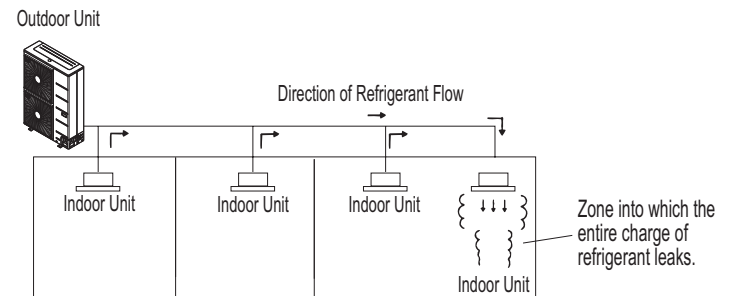
Note:

Take appropriate actions at the end of HVAC equipment life to recover, recycle, reclaim or destroy R410A refrigerant according to applicable US EPA rules.

To calculate the potential refrigerant concentration level (RCL):

1. Measure the occupied space dimensions (in feet).
2. Calculate the cubic foot volume of air in the smallest occupied space. (To obtain a detailed overview of the RCL, perform the same calculations to the second smallest zone, the third smallest zone until the RCL is obtained for all zones. Also, pay special attention to areas such as basements, etc., where refrigerant cannot dissipate easily.)
3. Divide the refrigerant charge of the Multi Zone system serving the area in pounds by the results of step 1.
4. If the calculation indicates that the potential refrigerant concentration level is higher than the allowed RCL, increase the cubic volume of the smallest occupied space or modify the piping system design.
5. The allowable RCL limit for most applications must be equal to or less than 0.026 lbs./ft³. However, in special occupied spaces, such as hospitals and nursing homes, where occupants may have limited mobility, the allowable RCL limit is cut in half. See ASHRAE Standard 34 and local codes for detailed information.¹

Figure 111: Example of R410A Refrigerant Leak Location.



Refrigerant Concentration Limit (RCL) Calculations

To calculate total refrigerant amount per system:

| | | | | |
|---|----------|---|----------|--|
| Amount of Factory-Charged Refrigerant per Outdoor Unit | + | Amount of Additional Refrigerant Trim Charge | = | Total System Refrigerant Charge |
|---|----------|---|----------|--|

$$\text{RCL (lbs./ft}^3\text{)} = \frac{\text{Total System Refrigerant Charge (lbs.)}}{\text{Volume of Smallest Occupied Space (ft}^3\text{)}}$$

¹American Society of Heating, Refrigeration and Air Conditioning Engineers, Inc. (ASHRAE). Atlanta, GA. ASHRAE, Inc. Information about ASHRAE Standard 15 / 34 and addenda current as of the date of this publication.

To determine the volume of an occupied space, the designer must also determine which ones are connected, not connected, or ventilated (refer to Standard 34).

If the calculated RCL is above the allowable limit, there are two primary methods used to lower the RCL:

1. Increase the volume of the occupied space.
2. Decrease the size of the refrigerant charge.

Per Standard 34-2007, acceptable methods used to increase the volume of an occupied space include:

- Install transfer ducts between rooms.
- Undercut and overcut doors (partitions $\leq 0.15\%$ of cubic volume of space within a zone).
- Add an opening without a door (partitions $\leq 0.15\%$ of cubic volume of space within a zone).
- Include ventilation grilles in doors; include ventilation inlets / outlets (partitions $\leq 0.15\%$ of cubic volume of space within a zone).
- Include the area above the ceiling as part of the return or supply air path (partitions $\leq 0.15\%$ of cubic volume of space within a zone).
- Install a mechanical ventilator linked to a gas leak detector.
- Change the indoor unit type (wall mounted to ceiling cassette) / position.

Figure 112: Examples of Zones.

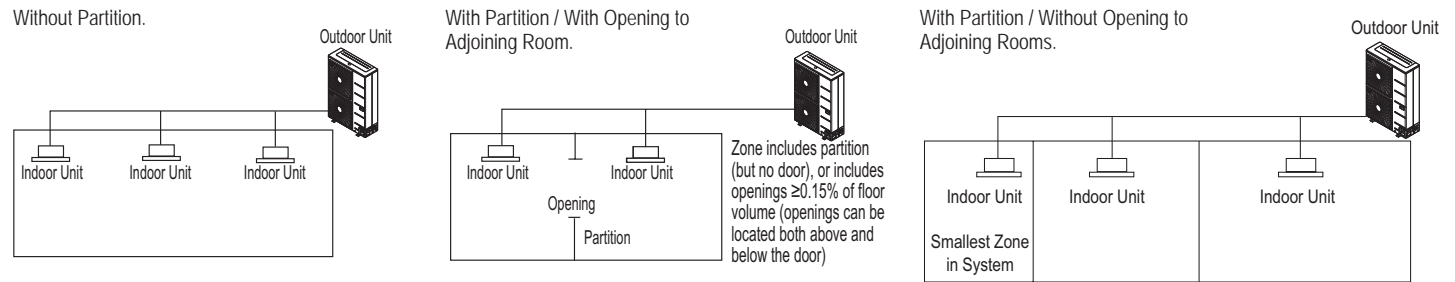
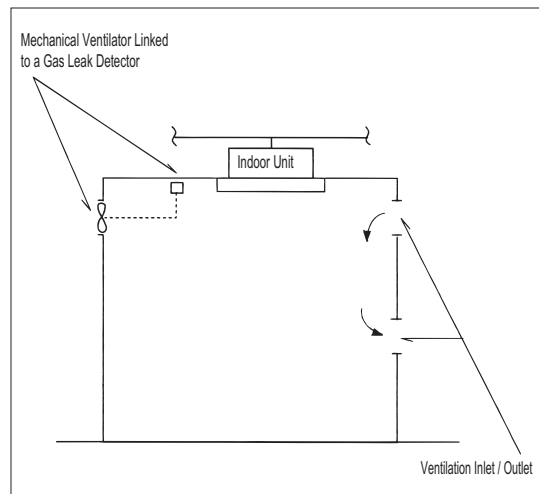


Figure 113: Examples of Acceptable Ventilation Methods.





Major Component Rough-In

| Description | Check |
|--|-------|
| All Multi F / Multi F MAX outdoor units were connected properly per local code and the product installation procedures. | |
| All literature and bagged accessories have been removed from the fan discharge. | |
| Indoor units and branch distribution unit(s) (Multi F MAX only) are installed, properly supported, and located indoors in a non-corrosive environment. | |
| Multi F / Multi F MAX gravity condensate drain line was connected and routed where it properly drains away or, if installed in a mechanical room, was connected and properly routed to a drain terminal. | |

Piping and Insulation

| Description | Check |
|--|-------|
| Copper | |
| Over 5/8 inches—Rigid ACR only. | |
| 5/8 inches and under—Can use soft ACR. | |
| 15% silver brazing material only. | |
| All refrigerant pipes and valves were insulated separately. Insulation butts up against the walls of the indoor units. No gaps or cracks. Insulation was not compressed at clamps and hangers. | |
| LG Y-branches were used per manufacturer's recommendations. | |
| (Optional) Full port ball valves for all indoor units. (Schrader between the valve body and the indoor units.) | |
| Condensate piping installed on indoor units—material used is acceptable under local code. Insulated as necessary to prevent condensation. | |

Brazing Practices

| Description | Check |
|--|-------|
| Medical grade (there are 4 available) dry nitrogen for purging during brazing was used (constant 3 psi while brazing). | |

Installation

(For more information on any procedure, refer to the detail provided in the Indoor Unit Installation Manuals.)

Refrigerant Piping

| Description | Check |
|--|-------|
| Have in possession a copy of the "As-Designed" LATS Multi F piping tree diagram. BEFORE ANY FIELD PIPE SIZE OR LENGTH CHANGES ARE MADE, PROPOSED CHANGES MUST BE FORWARDED TO THE DESIGN ENGINEER SO THAT THEY CAN INPUT THE CHANGES INTO LATS and RE-ISSUE A NEW LATS PIPING TREE DIAGRAM. Installer must receive change authorization from the design engineer, because any change made requires the review of the entire tree diagram and verification that the change did not impact the size of piping segments in other parts of the system. | |
| All pipe materials were properly stored, capped, and clean. All burrs were removed after cutting and pipe ends were reamed before brazing. | |
| During refrigerant pipe installation, for each segment of pipe, a record was made of the pipe length (including expansion loops, offsets, double-back sections), and sizes, as well as the quantity and type of elbows used. | |
| All long runs of straight pipe were provided with expansion loops. | |
| Ensure Y-branches are installed with no more than $\pm 5^\circ$ of horizontal. | |
| Ensure Y-branches are installed with no more than $\pm 3^\circ$ of vertical. | |
| A torque wrench and backup wrench were used to tighten all flare connections. | |
| The back side of all flares were lubricated with a small drop of PVE refrigeration oil before tightening flare fittings. | |
| Ensure all field made flares are 45° . Use factory-supplied flare nuts only. | |
| Pipe segments were properly supported and all wall penetrations were sleeved. | |
| Pipe insulation was not compressed at any point. | |
| Y-branches were properly supported per details provided in the installation manual. | |
| Ensure Y-branches are installed in the correct direction. Flow is always from the single end to the double end. | |
| No oil traps, solenoid valves, sight glasses, filter driers, or any other unauthorized refrigerant specialties were present. | |
| (Optional) R410A rated full port ball valves were used at all indoor units and wherever appropriate in the refrigerant piping network. | |
| Best practice including a minimum of 20" of straight pipe was installed between each elbow. | |



Condensate Pump / Drain Installation

| Description | Check |
|--|-------|
| Indoor unit condensate drain pipes were installed correctly. | |
| All condensate vertical risers are equal to or less than 27-1/2" from the bottom of the indoor unit. | |
| Indoor units with condensate pumps were level. Units with gravity drains were level or slightly canted toward the drain connection and are supported properly. | |
| Pumped condensate drain lines were properly connected (do not have traps, and connect to the top surface of the main drain line). | |

Power Wire and Communications Cables

| Description | Check |
|--|-------|
| Power wiring was connected to a single phase 208-230V source. | |
| Ground wire was installed and properly terminated at the unit. | |
| The power supplied was clean with voltage fluctuations within specifications. ($\pm 10\%$ of nameplate). | |
| Power wiring to the Multi F / Multi F MAX outdoor unit was installed per all local electrical code requirements. | |
| Power wiring to the indoor units and branch distribution unit(s) (Multi F MAX only) was installed per all local electrical code requirements. | |
| LG-supplied cable was used between each indoor unit and its zone controller. No cables were spliced and no wire caps are present. | |
| Communication type RS-485-BUS type. | |
| Communications/power were a minimum of 18-AWG, four (4) conductor, stranded, shielded or unshielded, with insulation material per local code. If shielded, must be ground to outdoor unit only. Cable segment shields were tied together. | |
| Used appropriate crimping tool to attach ring or spade terminals at all power wiring and control cable terminations. | |
| Power and control wires were run in the same conduit (ODU to IDU only) as provided in the product installation manual. Power to ODU and power/communications to IDU cannot be run in the same conduit and must be separated per manufacturer's guidelines. | |



Major Component Rough-In

Piping and Insulation

Brazing Practices



Installation—Refrigerant Piping

Installation—Branch Distribution Unit (Multi F MAX Systems Only)

Installation—Condensate Pump / Drain Installation

Installation—Power Wire and Communications Cables



LG Multi F outdoor units ship from the factory with a charge of R410A refrigerant. A trim charge may need to be added to take into account additional piping length.

To determine the additional refrigerant that is needed, apply the formula below, and record the results. If the total additional refrigerant charge value is a negative number, then an additional trim charge does not need to be added to the system.

Multi F Outdoor Unit Factory Charge

| Outdoor Unit | Factory Charge lbs. of R410A |
|--------------|------------------------------|
| LMU18CHV | 3.96 |
| LMU24CHV | 3.96 |
| LMU30CHV | 6.18 |
| LMU36CHV | 6.18 |

Multi F Outdoor Unit Additional Refrigerant Charge Formula

$$\begin{aligned} \text{Additional charge (lbs.)} &= (\text{Installed Length of Branch [A]} - \text{Chargeless Pipe Length [L]}) \times a \\ &+ (\text{Installed Length of Branch [B]} - \text{Chargeless Pipe Length [L]}) \times a \\ &+ (\text{Installed Length of Branch [C]} - \text{Chargeless Pipe Length [L]}) \times a \\ &+ (\text{Installed Length of Branch [D]} - \text{Chargeless Pipe Length [L]}) \times a \\ &- \text{CF (Correction Factor)} \times 5.29 \end{aligned}$$

Note:

- Number of installed length of branches depends on the specifications of the outdoor unit model.
- CF = Maximum number of connectible indoor units – Total number of connected indoor units.

Multi F Outdoor Unit Piping Specifications

| Multi F Outdoor Unit Model | Min. to Max. Piping Length for One Branch (ft.) | Max. Total System Piping Length (ft.) | Chargeless Pipe Length per Branch (L) (ft.) | Additional Charge Needed (a) (oz./ft.) |
|----------------------------|---|---------------------------------------|---|--|
| LMU18CHV | 10 to 82 | 164 | 24.6 | 0.22 |
| LMU24CHV | 10 to 82 | 246.1 | 24.6 | 0.22 |
| LMU30CHV | 10 to 82 | 246.1 | 24.6 | 0.22 |
| LMU36CHV | 10 to 82 | 246.1 | 24.6 | 0.22 |

Multi F Refrigerant Charge Calculations

$$\begin{aligned} &(\text{_____}[A] - 24.6) \times 0.22 && (\text{_____}) \\ + &(\text{_____}[B] - 24.6) \times 0.22 && + (\text{_____}) \\ + &(\text{_____}[C] - 24.6) \times 0.22 && + (\text{_____}) \\ + &(\text{_____}[D] - 24.6) \times 0.22 && + (\text{_____}) \\ - &\text{_____CF} \times 5.29 && - (\text{_____}) \\ = &\text{_____ Additional Charge (lbs.)} \end{aligned}$$

MULTI F MULTI F MAX

MULTI F MAX REFRIGERANT CHARGE WORKSHEET



LG Multi F MAX outdoor units ship from the factory with a charge of R410A refrigerant. A trim charge may need to be added to take into account additional piping length.

To determine the additional refrigerant that is needed, apply the formula below, and record the results. If the total additional refrigerant charge value is a negative number, then an additional trim charge does not need to be added to the system.

Multi F MAX Outdoor Unit Factory Charge

| Outdoor Unit | Factory Charge lbs. of R410A |
|--------------|------------------------------|
| LMU480HV | 9.7 |
| LMU540HV | 9.7 |
| LMU600HV | 12.3 |

$$\begin{aligned} \text{Additional charge (lbs.)} &= (\text{Total Main Piping Length [A]} - \text{Chargeless Pipe Length of Main Pipe [L]}) \times a \\ &+ (\text{Installed Length of Branch [B1]} - \text{Chargeless Pipe Length [B]}) \times b \\ &+ (\text{Installed Length of Branch [B2]} - \text{Chargeless Pipe Length [B]}) \times b \\ &+ (\text{Installed Length of Branch [B3]} - \text{Chargeless Pipe Length [B]}) \times b \dots \\ &- \text{CF (Correction Factor)} \times 3.53 \end{aligned}$$

Note:

- Number of installed length of branches depends on system specifications.
- CF = Maximum number of connectible indoor units – Total number of connected indoor units

Multi F MAX Outdoor Unit Piping Specifications

| Outdoor Unit Model | Main Piping Length | | Branch Piping Length | |
|--------------------|---|--|--|--|
| | Chargeless Pipe Length of Main Pipe (L) (ft.) | Additional Charge Needed (a) (oz./ft.) | Chargeless Pipe Length per Branch Pipe (B) (ft.) | Additional Charge Needed (b) (oz./ft.) |
| LMU480HV | 16.4 | 0.54 | 16.4 | 0.22 |
| LMU540HV | 16.4 | 0.54 | 16.4 | 0.22 |
| LMU600HV | 16.4 | 0.54 | 16.4 | 0.22 |

Multi F MAX Refrigerant Charge Calculations

$$\begin{aligned} &(\text{_____ [A]} - 16.4) \times 0.54 && (\text{_____}) \\ + &(\text{_____ [B1]} - 16.4) \times 0.22 && + (\text{_____}) \\ + &(\text{_____ [B2]} - 16.4) \times 0.22 && + (\text{_____}) \\ + &(\text{_____ [B3]} - 16.4) \times 0.22 && + (\text{_____}) \\ + &(\text{_____ [B4]} - 16.4) \times 0.22 && + (\text{_____}) \\ + &(\text{_____ [B5]} - 16.4) \times 0.22 && + (\text{_____}) \\ + &(\text{_____ [B6]} - 16.4) \times 0.22 && + (\text{_____}) \\ + &(\text{_____ [B7]} - 16.4) \times 0.22 && + (\text{_____}) \\ + &(\text{_____ [B8]} - 16.4) \times 0.22 && + (\text{_____}) \\ - &\text{_____ CF} \times 3.53 && - (\text{_____}) \\ &&& = \text{_____ Additional Charge (lbs.)} \end{aligned}$$

Inverter



Refer to Service Manuals posted on www.lghvac.com for a full description of all error codes and work-arounds.



LG Electronics, U.S.A., Inc.
Commercial Air Conditioning Division
4300 North Point Parkway
Alpharetta, Georgia 30022
www.lg-vrf.com

LG Electronics Products Support
1-888-865-3026 USA
Follow the prompts for HVAC products.

IM_MultiF_ODU_03_17
Supersedes: IM_MultiF_ODU_11_16
IM_MultiF_ODU_4_16
IM_MultiF_ODU_11_15