



Chill[®] Room Air Conditioners

SPECIFICATIONS, INSTALLATION
AND SIZING GUIDE



FRIEDRICH

1 8 8 3

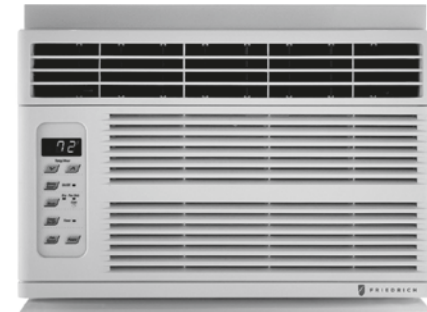
Chill® Series Excellent efficiency with low sound levels for carefree cooling.

SPECIFICATIONS

★ Indicates ENERGY STAR® models

| Model | UPC | Cooling Btu | Heating Btu | Volts Rated | Cooling Amps | Cooling Watts | Heating Amps | Heating Watts | EER | CEER | Estimated Yearly Energy Cost | Moisture Removal-Pints/HR | Refrigerant | CFM |
|--------------------------------|--------------|-------------|-------------|-------------|--------------|---------------|--------------|---------------|-----------|-----------|------------------------------|---------------------------|-------------|-----|
| Chill® (Cool Only) | | | | | | | | | | | | | | |
| CP05G10B | 724587431728 | 5200 | — | 115 | 4.3 | 460 | — | — | 11.3 | 11.0 | \$42 | 1.5 | R410A | 140 |
| ★ CP06G10B | 724587432824 | 6000 | — | 115 | 4.6 | 490 | — | — | 12.2 | 12.1 | \$44 | 1.8 | R410A | 200 |
| ★ CP08G10B | 724587432831 | 8000 | — | 115 | 6.2 | 660 | — | — | 12.1 | 12.0 | \$60 | 2.2 | R32 | 250 |
| ★ CP10G10B | 724587432848 | 10000 | — | 115 | 7.7 | 820 | — | — | 12.2 | 12.0 | \$74 | 3.0 | R32 | 300 |
| ★ CP12G10B | 724587432855 | 12000 | — | 115 | 9.3 | 990 | — | — | 12.1 | 12.0 | \$89 | 3.3 | R32 | 330 |
| ★ CP15G10B | 724587432862 | 15500 | — | 115 | 11.9 | 1300 | — | — | 11.9 | 11.8 | \$117 | 4.0 | R32 | 400 |
| ★ CP18G30B | 724587432879 | 19000/18600 | — | 230/208 | 7.4/8.0 | 1590/1560 | — | — | 11.9/11.9 | 11.8/11.8 | \$138 | 5.5 | R32 | 520 |
| ★ CP24G30B | 724587432886 | 24000/23500 | — | 230/208 | 11.4/10.6 | 2260/2310 | — | — | 10.4/10.3 | 10.3/10.3 | \$209 | 6.8 | R32 | 590 |
| Chill®+ (Electric Heat) | | | | | | | | | | | | | | |
| EP08G11B | 724587431735 | 7500 | 3850 | 115 | 6.3 | 670 | 11.0 | 1260 | 11.2 | 11.0 | \$61 | 2.1 | R410A | 250 |
| EP12G33B | 724587431742 | 12000/11500 | 11200/9200 | 230/208 | 4.8/5.1 | 1060/1010 | 14.0/15.3 | 3500/2900 | 11.3/11.3 | 11.2/11.2 | \$96 | 3.3 | R410A | 265 |
| EP18G33B | 724587431759 | 18000/17500 | 12000/9800 | 230/208 | 7.2/7.8 | 1600/1560 | 16.0/15.0 | 3670/3100 | 11.2/11.2 | 11.1/11.1 | \$144 | 5.5 | R410A | 430 |
| EP24G33B | 724587431766 | 23000/22500 | 12000/9800 | 230/208 | 10.6/11.5 | 2340/2290 | 16.0/15.0 | 3670/3100 | 9.8/9.8 | 9.8/9.8 | \$211 | 6.5 | R410A | 560 |

| Net Wt. lbs. | Ship Wt. lbs. | Sleeve |
|--------------|---------------|--------|
| 46 | 50 | P1 |
| 62 | 71 | P6 |
| 63 | 72 | |
| 75 | 85 | P7 |
| 83 | 93 | |
| 117 | 132 | P8 |
| 132 | 147 | |
| 137 | 152 | P9 |
| 79 | 85 | |
| 87 | 93 | P7 |
| 136 | 150 | |
| 146 | 160 | P9 |



CP05 Model



Chill and Chill+ Models



LCD Remote
Full LCD display shows MODE, FAN SPEED and SET TEMPERATURE and TIMER ON/OFF. Adjust TEMPERATURE and FAN SPEEDS, select MODE and set the TIMER.

Chill® Features

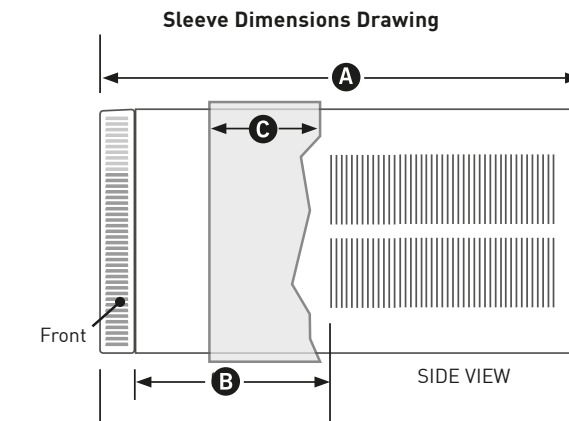
- 24-hour timer
- Auto air sweep swing louvers* provide more even air distribution
- Chill units feature a 3 speed fan for cooling or fan-only setting
- Chill+ units feature a 2 speed fan for cooling, heating or fan-only setting
- Ultraquiet operation
- 4-way air flow control
- Auto-restart saves settings if power is interrupted
- ENERGY STAR® qualified models
- Money Saver® setting saves money by operating the fan only when cooling
- Washable, antimicrobial air filter
- Check filter alert
- Stale air exhaust*
- Install in window or thru-wall**
- Standard installation hardware
- Expandable side curtains
- Power cord can run either left or right out of the side of the unit front*
- EntryGard™ anti-intrusion protection
- Zero Ozone Depletion Refrigerants
- NEW R32 refrigerant with low Global Warming Potential (select models)

*Feature not available on CP05. **CP05 has a fixed chassis and is for window installation only



| Sleeve | Height Inches | Width Inches | Depth with Front Inches A | Shell Depth to Louvers Inches B | Minimum Extension Into Room* Inches | Minimum Extension Outside* Inches | Window Width Inches | | In-wall Installation Finished Hole Inches | | | Carton Dimensions Inches | | |
|--------|---------------|--------------|---------------------------|---------------------------------|-------------------------------------|-----------------------------------|---------------------|---------|---|---------|--------------|--------------------------|---------|---------|
| | | | | | | | Minimum** | Maximum | Height | Width | Max. Depth C | Height | Width | Depth |
| P1† | 12" | 18 1/2" | 15" | 5" | 3 1/2" | 10 3/4" | 20 1/8" | 36" | NOT FOR THRU-WALL | | | 15 1/4" | 22 1/4" | 17 1/2" |
| P6 | 14" | 18 3/8" | 20 7/8" | 8 1/8" | 4 1/2" | 11" | 20 1/8" | 36" | 14 1/8" | 18 7/8" | 7 1/2" | 17 7/8" | 22 3/4" | 22" |
| P7 | 15" | 23 5/8" | 21 3/4" | 8 3/4" | 4 1/2" | 12" | 25 1/4" | 39" | 15 1/4" | 23 7/8" | 8" | 18 3/4" | 26 3/4" | 23 7/8" |
| P8 | 16 7/8" | 26" | 26 7/8" | 10 1/4" | 5 1/2" | 16 5/8" | 26 1/2" | 42" | 17 1/8" | 26 1/4" | 9" | 21 1/2" | 29 1/2" | 29" |
| P9 | 16 7/8" | 26" | 30 3/8" | 10 1/4" | 5 1/2" | 19 1/2" | 26 1/2" | 42" | 17 1/8" | 26 1/4" | 9" | 21 1/2" | 33" | 28 7/8" |

* Minimum extensions when mounted in a window.
 ** Minimum widths achieved using one side curtain assembly as opposed to both in a standard installation.
 † Sleeve P1 does not have in-wall hole dimensions, as these units are fixed chassis and should not be installed in-wall.



COOLING SIZING GUIDE

| Area to be conditioned in sq. ft. | Approximate Cooling Btu Required |
|-----------------------------------|----------------------------------|
| 100 - 150 | 5000 |
| 150 - 250 | 6000 |
| 250 - 300 | 7000 |
| 300 - 350 | 8000 |
| 350 - 400 | 9000 |
| 400 - 450 | 10000 |
| 450 - 550 | 12000 |
| 550 - 700 | 14000 |
| 700 - 1000 | 18000 |
| 1000 - 1200 | 21000 |
| 1200 - 1400 | 23000 |
| 1400 - 1500 | 24000 |

Based on normal room insulation, average number of sun exposed windows and two person occupancy.

1. If heavily shaded, reduce cooling Btus required by 10%
2. If very sunny, increase cooling Btus required by 10%
3. Add 500 Btus per person over 2 people
4. Add 4,000 Btus if the area is a kitchen

CIRCUIT RATING/ BREAKER

| Model | Circuit Rating Breaker or T-D Fuse | Plug Face (NEMA#) | Power Cord Length (ft.) | Wall Outlet Appearance |
|--|------------------------------------|-------------------|-------------------------|------------------------|
| CP05G10B | 125V - 15A | 5-15P | 6 1/2 | |
| CP06G10B, CP08G10B, CP10G10B, CP12G10B and CP15G10B. EP08G11B. | 125V - 15A | 5-15P | 6 | |
| CP18G30B | 250V - 15A | 6-15P | 4 1/2 | |
| CP24G30B, EP12G33B, EP18G33B and EP24G33B. | 250V - 20A | 6-20P | 4 | |