



Install Trim Kit Required, EMTK3011AS Sold Separately

Built-In Microwave

30" Built-In Side Swing Microwave Oven

EMBS2411AB

Available Colors : Black

Version : 04/21

Cooking Controls

Convection	Yes
Cooking Power	900 Watts
Number of Power Levels	10
Defrost Weight	Yes

Oven

Convection Type	Fan
Convection Element	1,400 Watts

Microwave Cooking

Bacon	Yes
Defrost	Yes
Melt / Soften	Yes
Multi-Stage Cooking	Yes
Popcorn	Yes
Potato	Yes
Sensor Cooking	Yes
Sensor Reheat	Yes

Convection Cooking

Broil / Grill	Yes
Combi Cooking - Bake	Yes
Combi Cooking - Roast	Yes
Convection Cooking - Roast	Yes
Convection Cooking -Bake	Yes
Keep Warm	Yes

Controls

Wi-Fi Enabled	No
---------------	----

Microwave Control Features

+ 30 Seconds	Yes - One Touch
--------------	-----------------

Additional Settings

Control Location	Bottom
------------------	--------

Child Lock	Yes
Clock Display On / Off	Yes
Demo On / Off	Yes
Language Options	English and French
Setting Turntable On / Off	No
Setting Weight Lb / Kg	Yes
Timer On / Off	Yes
Volume # of Settings	4 (Includes Off)

Exterior

Door Finish	Edge to Edge Glass
Door Swing	Side-Swing Door

Internal Specifications

Interior Color	Stainless Steel
Interior Light Quantity	1
Interior Light Type	LED
Rack	Yes
Turntable Diameter	16 1/2"
Turntable Material	Glass

Dimensions and Volume

Height	12 7/8"
Width	21 3/4"
Depth	17 1/4"
Microwave Interior Height	10 1/4"
Microwave Interior Width	15 1/2"
Microwave Interior Depth	16 1/4"
Microwave Capacity	1.5 Cu. Ft.

Electrical Specifications

Amps @ 120 Volts	14.5 Amps
Voltage Rating	120 V

Installation

Power Supply Connection Location	Top Left
----------------------------------	----------

High standards of quality at Electrolux Home Products, Inc. mean we are constantly working to improve our products. We reserve the right to change specifications or discontinue models without notice.

Electrolux Major Appliances, N.A.

USA • 10200 David Taylor Drive • Charlotte, NC 28262 • Charlotte, NC 28262 • 1-877-4electrolux (1-877-435-3287) • electroluxappliances.com

CANADA • 5855 Terry Fox Way • Mississauga, ON L5V 3E4 • 1-800-265-8352 • electroluxappliances.ca

30" Built-In Side Swing Microwave Oven

EMBS2411AB

Version : 04/21

General Specifications

Product Weight	47 lbs
Prop 65 Label	Yes
Warranty - Labor	1 Year
Warranty - Parts	1 Year

Safety Certifications and Approvals

UL Listed	Yes
cUL Listed	Yes

High standards of quality at Electrolux Home Products, Inc. mean we are constantly working to improve our products. We reserve the right to change specifications or discontinue models without notice.

Electrolux Major Appliances, N.A.

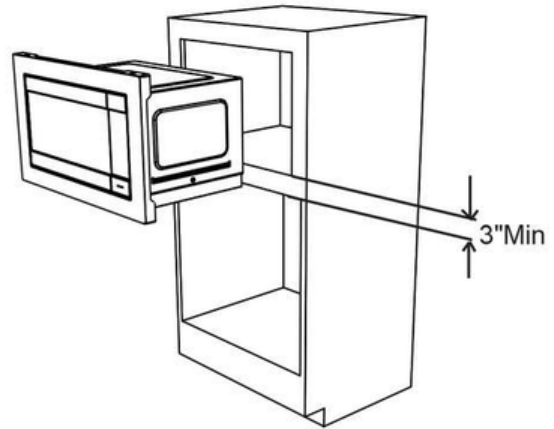
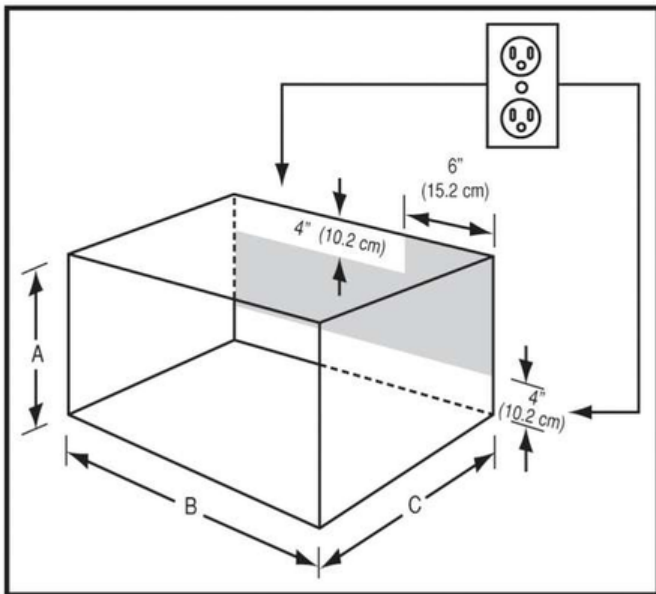
USA • 10200 David Taylor Drive • Charlotte, NC 28262 • Charlotte, NC 28262 • 1-877-4electrolux (1-877-435-3287) • electroluxappliances.com

CANADA • 5855 Terry Fox Way • Mississauga, ON L5V 3E4 • 1-800-265-8352 • electroluxappliances.ca

30" Built-In Side Swing Microwave Oven

EMBS2411AB

Version : 04/21



CABINET OR WALL CUTOUT

Height (A)	
Minimum	17-1/64" (432 mm)
Maximum	17-1/4" (438 mm)
Width (B)	
Minimum	24-49/64" (629 mm)
Maximum	25" (635mm)
Depth (C)	23-1/2" (597mm)
Minimum	Min.depth with receptacle outside cutout – 22" (559mm) Min.depth with receptacle inside cutout – 23-1/2"(597mm)

Trim Kit Overall Dimensions	
	30"
Height	18-7/64" (460mm)
Width	29-55/64" (758mm)
Depth	1-5/8" (41.6mm)

High standards of quality at Electrolux Home Products, Inc. mean we are constantly working to improve our products. We reserve the right to change specifications or discontinue models without notice.

Electrolux Major Appliances, N.A.

USA • 10200 David Taylor Drive • Charlotte, NC 28262 • Charlotte, NC 28262 • 1-877-4electrolux (1-877-435-3287) • electroluxappliances.com

CANADA • 5855 Terry Fox Way • Mississauga, ON L5V 3E4 • 1-800-265-8352 • electroluxappliances.ca