

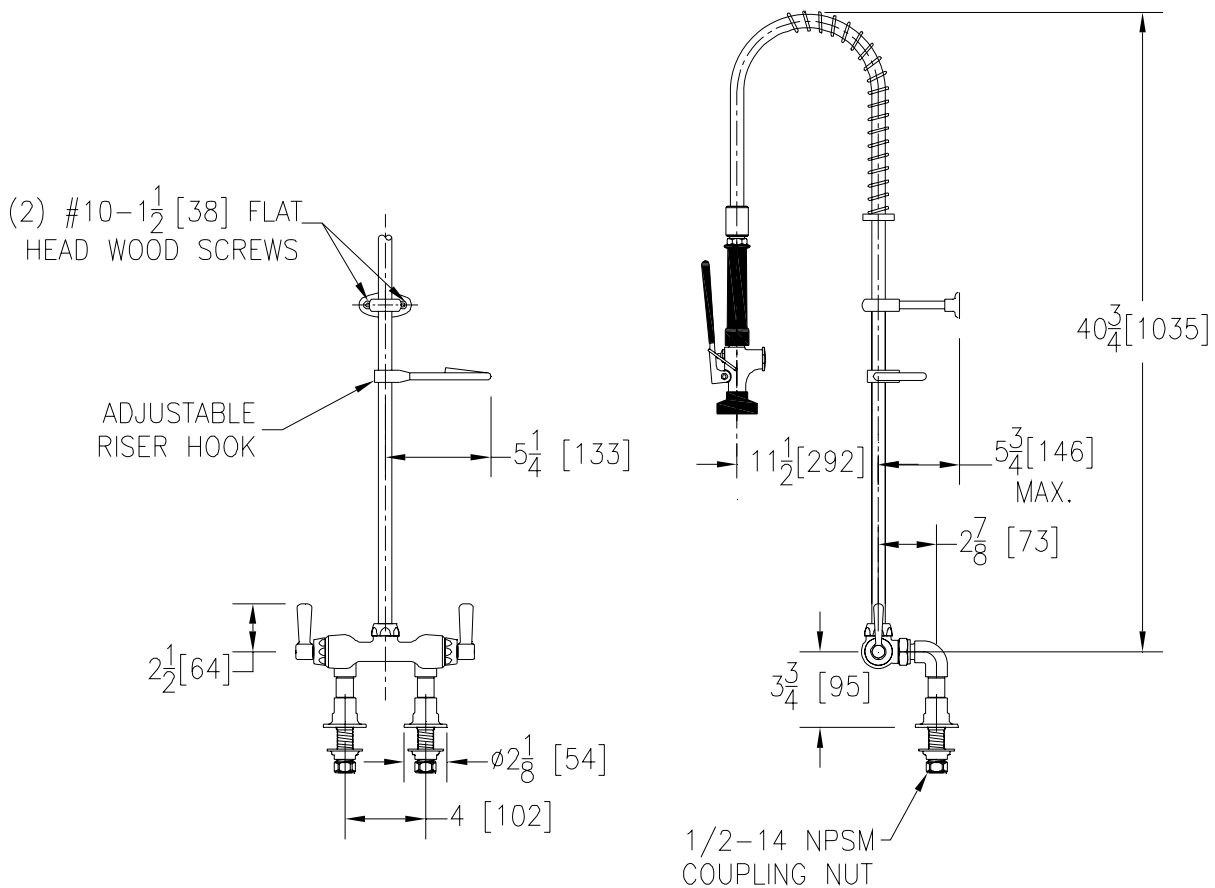


SERVICE SINK FAUCET Z841X1-DM

TAG _____

Engineering Specifications: Zurn AquaSpec® Z841X1-DM

Deck mounted polished chrome-plated cast brass service sink faucet with quarter turn ceramic disc cartridges, check stops and 2-1/2" [64mm] vandal-resistant color-coded metal lever handles. Unit is furnished with a 24" [610mm] riser, 36" [914mm] stainless steel spring hose, self-closing 1.24 GPM @ 60 psi (4.7 l/min. @ 400 kPa) pre-rinse hand held valve with an insulated handle, stay open clip, a protective bumper spray head, pipe support and hose hook, mounting hardware and 1/2 NPSM coupling nuts for standard lavatory risers.



Note: All dimensions are for reference only. Do not use for pre-plumbing.

OPTIONAL ACCESSORIES

Suffix	Description
___-HCT	Hot/Cold Text Indexes
___-PR2	Pre-rinse with Angle Spray Head, Rubber Bumper Spray Outlet and Self-Closing Valve
___-PR3	Pre-rinse with Angled Aerated Outlet and Self-Closing Valve
___-PR6	Self-Closing Pre-Rinse Valve, Straight Nozzle with Diffuser
___-RC	Rough Chrome

ZURN INDUSTRIES, LLC ♦ COMMERCIAL BRASS OPERATION ♦ 2640 SOUTH WORK STREET ♦ FALCONER NY 14733

Phone: 1-716-665-1132 ♦ Fax: 1-716-665-1135 ♦ World Wide Web: www.zurn.com

In Canada: ZURN INDUSTRIES LIMITED ♦ 3544 Nashua Drive ♦ Mississauga, Ontario L4V1L2 ♦ Phone: 905/405-8272 Fax: 905/405-1292