



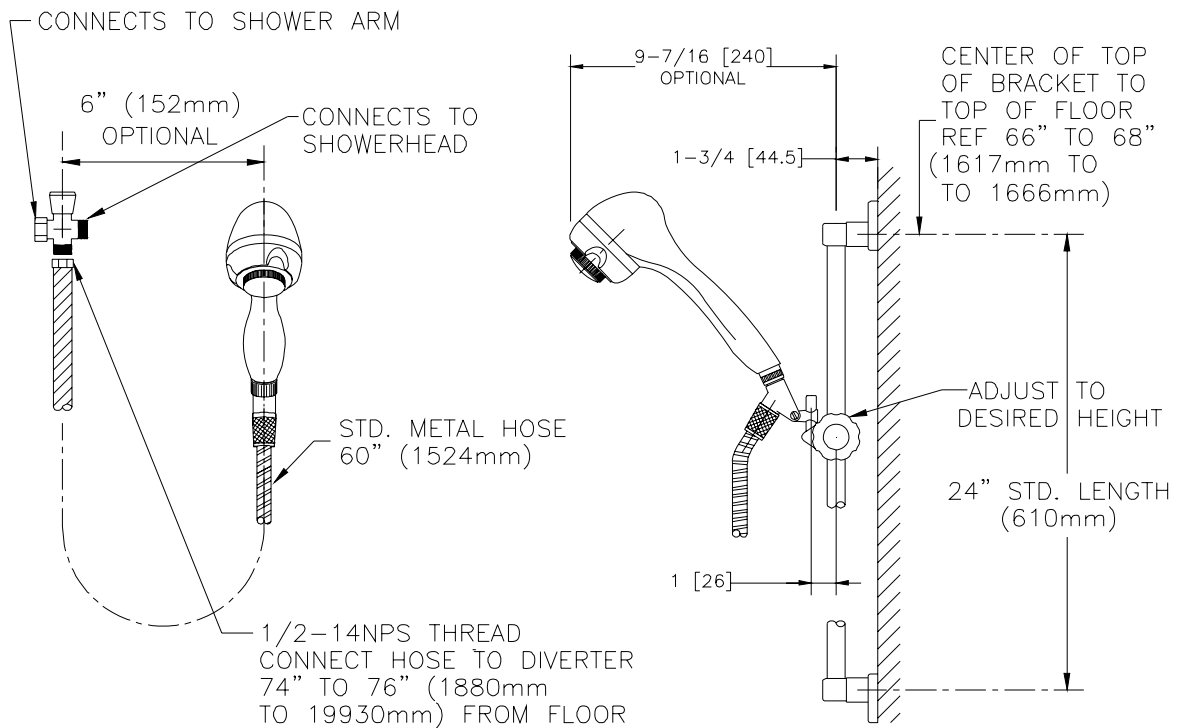
# TEMP-GARD HAND/SHOWER W/ SHOWER HEAD DIVERTER VALVE CONNECTION

Z7000-HS

TAG \_\_\_\_\_



**ENGINEERING SPECIFICATIONS:** ZURN Z7000-HS Hand/shower unit consisting of hand held shower head with swivel connection, 60" flexible metal hose, 24" mounting bar wall connection, with shower head diverter valve/supply connection.



Note: All dimensions are for reference only. Do not use for pre-plumbing

## CONFIGURATIONS

- Z7000-HS2 HS with In-line Vacuum Breaker
- Z7000-HS3 HS with Vinyl Hose
- Z7000-HS4 HS with 2 Wall Hooks
- Z7000-HS5 HS with 2 Wall Hooks, Vinyl Hose

## OPTIONAL ACCESSORIES

Suffix	Description
__ H2	Hand Shower Head with Shut Off
__ H4	Deluxe Plastic Hand Shower Head

## STANDARDS

Tested to the following standards:  
ASME A112.18.1/ CSA B125.1

ZURN INDUSTRIES, LLC ♦ COMMERCIAL BRASS OPERATION ♦ 2640 SOUTH WORK STREET ♦ FALCONER NY 14733

Phone: 1-716-665-1132 ♦ Fax: 1-716-665-1135 ♦ World Wide Web: www.zurn.com

In Canada: ZURN INDUSTRIES LIMITED ♦ 3544 Nashua Drive ♦ Mississauga, Ontario L4V1L2 ♦ Phone: 905/405-8272 Fax: 905/405-1292