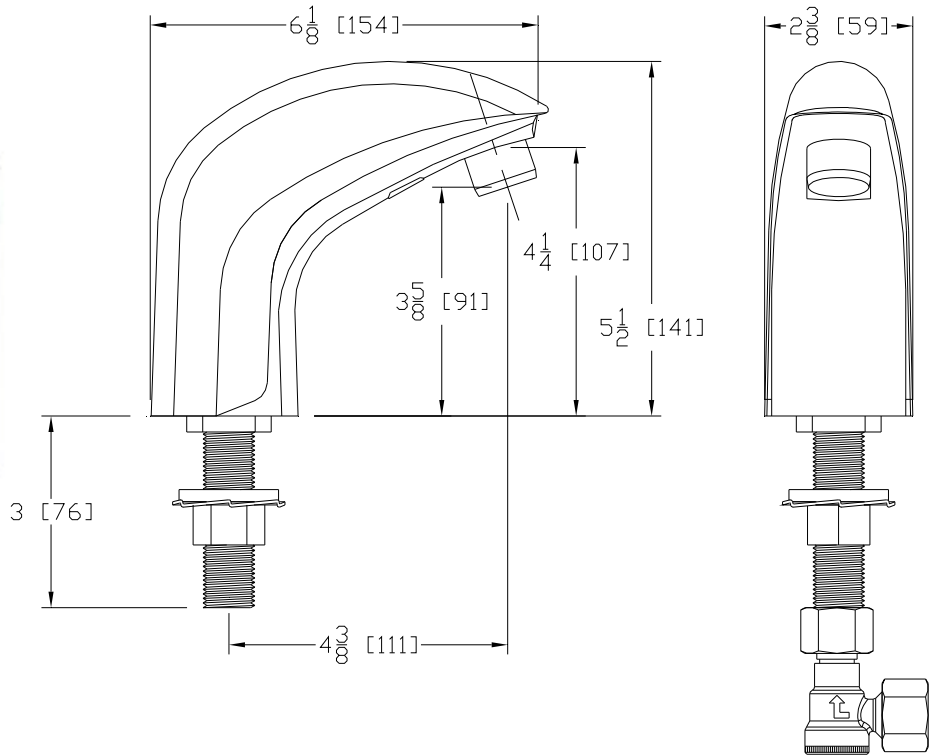




Z6919 AquaSense Battery Powered Lavatory Faucet



Suffix Options (Check/Specify Appropriate Options)

- _____ -CP4 Cover Plate 4[102] Centers
- _____ -CP8 Cover Plate 8[203] Centers
- _____ -F 0.5 GPM Vandal Resistant Flow
- _____ -IA3 Inlet Adaptor (3/8"[10] compression)
- _____ -J 1.5 GPM Laminar Flow
- _____ -K 1.0 GPM Laminar Flow
- _____ -L 1.0 GPM Vandal Resistant Flow
- _____ -MT Mixing Tee
- _____ -MV Temperature Mixing Valve
- _____ -SH Supply Hoses for Mixing Valve
- _____ -SSH Single Supply Hose
- _____ -TMV Thermostatic Mixing Valve
- _____ -TMV-1 Thermostatic Mixing Valve for Single Faucet
- _____ Other

ENGINEERING SPECIFICATION: ZURN Z6919 AquaSense Battery Powered Lavatory Faucet-

The AquaSense sensor faucet is a battery powered sensor faucet for retrofit and new construction. The faucet incorporates an infrared convergence-type proximity sensor battery compartment, and electronics into the chrome plated spout. Standard equipment consists of 4 AA batteries, a 1.5 GPM vandal resistant aerator and an inlet for a 1/2"[13] ball riser supply hose (furnished by others). Sensor range adjusts automatically for its environment when battery is installed.

This space is for Architectural/engineering Approval

ZURN INDUSTRIES, LLC. ♦ COMMERCIAL BRASS OPERATION ♦ 5900 ELWIN BUCHANAN DRIVE ♦ SANFORD NC 27330

Phone: 1-800-997-3876 ♦ Fax: 919-775-3541 ♦ World Wide Web: www.zurn.com

In Canada: ZURN INDUSTRIES LIMITED ♦ 3544 Nashua Drive ♦ Mississauga, Ontario L4V1L2 ♦ Phone: 905-405-8272 Fax: 905-405-1292