



ZEMS6000-IS

Hardwired Exposed Flush Valve for Water Closets

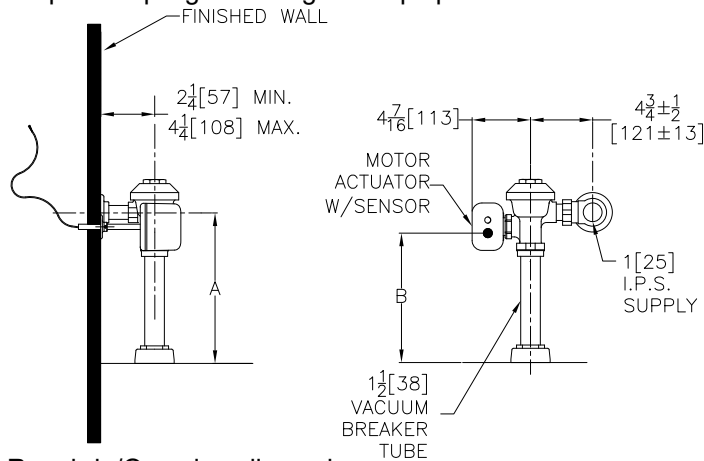
TAG _____

Architectural/Engineering Specification:

Exposed, quiet diaphragm-type, chrome plated flushometer valve with a polished exterior. Complete with chloramine resistant, dual seal diaphragm with a clog resistant by-pass. The valve incorporates a motor actuator, an integral infrared convergence-type proximity sensor and a manual sensor with capacitive sensing push button override, high impact resistant polycarbonate housing and chrome plated plastic cover with manual override push button and 10 degree angled sensor.

Product Features:

- Control Stop has internal siphon-guard protection, sweat solder kit, wall flange with set screw.
- High back pressure Vacuum Breaker with one piece hex coupling nut
- Chloramine resistant Internal seals
- Adjustable tailpiece
- Spud coupling and flange for top spud connection



Rough-in/Overview dimensions

Valve Height Options:

	Product No.	A	B
	ZEMS6000-IS	11 1/2" [292]	9 7/8 [251]
	ZEMS6000-1-IS	16" [406]	14 3/8 [365]
	ZEMS6000-2-IS	24" [610]	22 3/8 [568]
	ZEMS6000-3-IS	27" [686]	25 3/8 [644]

Accessories (Order separate as specified)

- P6900-ACA-BA 7.6VDC Plug-In ACA Power Supply
Powers up to 4 valves
- P6000-HW6 7.6VDC Hardwired Power Converter
Powers up to 8 valves
- P6000-MJ Mini Junction Box

Compliance and Certification:

- ADA Compliant
- WaterSense Compliant



Flow Options:

	Flush Volume	WaterSense Compliant
-ONE*	1.1 gpf	✓
-HET*	1.28 gpf	✓
-WS1	1.6 gpf	
-Standard	3.5 gpf	

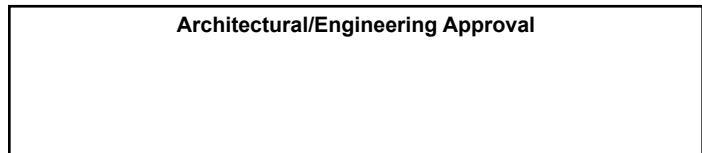
Suffix Options:

- FM12 Floor Mount 12" Rough In
- MOB Manual Over-ride Button (Front of Body)
- VC Vandal Resistant Stop Cover
- YJ Split Ring Pipe Support
- YK Solid Ring Pipe Support
- YO Bumper on Angle Stop

Upgrade Options:

- PL **Aquafush Plus** - includes Vandal Resistant Stop Cover and Proprietary Dezincification resistant low lead brass alloy body.
- TFB Triple Filter By-pass

* Not available w/-TFB



The information contained in this document is subject to change without notice. Please contact Zurn for most up to date information.

This product should be used with a WaterSense labeled counterpart with a compatible flow volume to ensure that the entire system meets the requirements for water efficiency and performance.

