



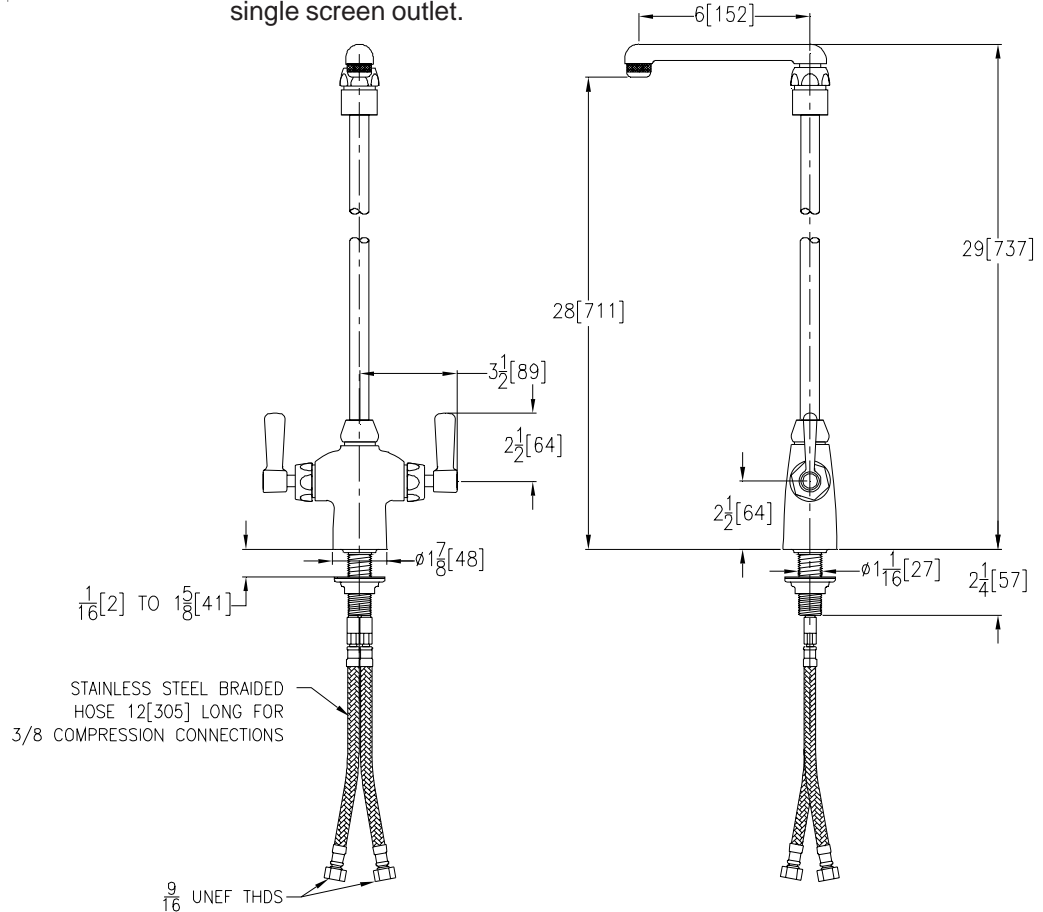
# KETTLE FILLER

## Z826F1-R23-11F

### TAG \_\_\_\_\_



**Engineering Specifications: Zurn AquaSpec® Z826F1-R23-11F**  
 Polished chrome-plated deck mounted kettle filler with integral shank, quarter turn ceramic disc cartridges, and 2-1/2" [64mm] vandal resistant color-coded metal lever handles. Unit is furnished with a 23" [584mm] riser, a 6" [152mm] cast metal swing spout and a single screen outlet.



Note: All dimensions are for reference only. Do not use for pre-plumbing

#### OPTIONAL ACCESSORIES

Suffix	Description
___-AR	Anti-Rotation Pins
___-G	1-1/4" [32mm] Grid Strainer Drain
___-HCT	Hot/Cold Text Indexes
___-MY	Mixing Yoke
___-PT	1-1/4" [32mm] Cast Brass P-Trap with a 7-1/2" [191mm] Long 17-Gauge Wall Bend
___-1F	2.2 GPM [8.3 L] Pressure Compensating Female Aerator
___-2F	2.2 GPM [8.3 L] Vandal-Resistant Pressure Compensating Female Aerator
___-3F	0.5 GPM [1.9 L] Vandal-Resistant Pressure Compensating Female Aerator
___-4F	2.2 GPM [8.3 L] Vandal-Resistant Pressure Compensating Female Laminar Flow
___-5F	2.0 GPM [7.6 L] Female Spray Outlet
___-7F	1.0 GPM [3.8 L] Pressure Compensating Female Spray Outlet
___-16F	1.0 GPM [3.8 L] Vandal-Resistant Pressure Compensating Female Spray Outlet
___-17F	1.5 GPM [5.7 L] Vandal-Resistant Pressure Compensating Female Aerator
___-18F	1.5 GPM [5.7 L] Vandal-Resistant Pressure Compensating Female Laminar Flow

ZURN INDUSTRIES, INC. ♦ COMMERCIAL BRASS OPERATION ♦ 2640 SOUTH WORK STREET ♦ FALCONER NY 14733

Phone: 1-716-665-1132 ♦ Fax: 1-716-665-1135 ♦ World Wide Web: [www.zurn.com](http://www.zurn.com)

In Canada: ZURN INDUSTRIES LIMITED ♦ 3544 Nashua Drive ♦ Mississauga, Ontario L4V1L2 ♦ Phone: 905/405-8272 Fax: 905/405-1292